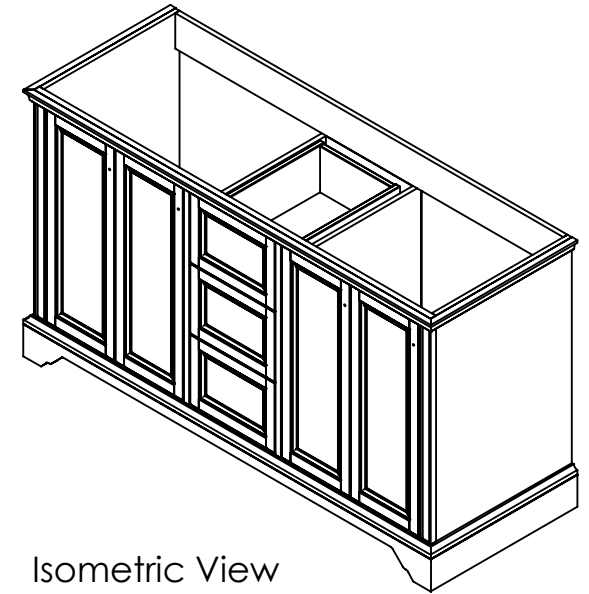
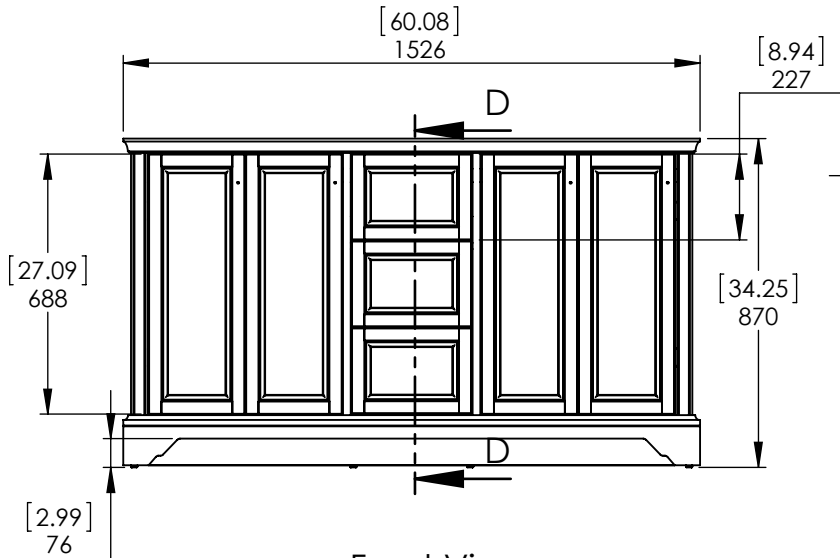


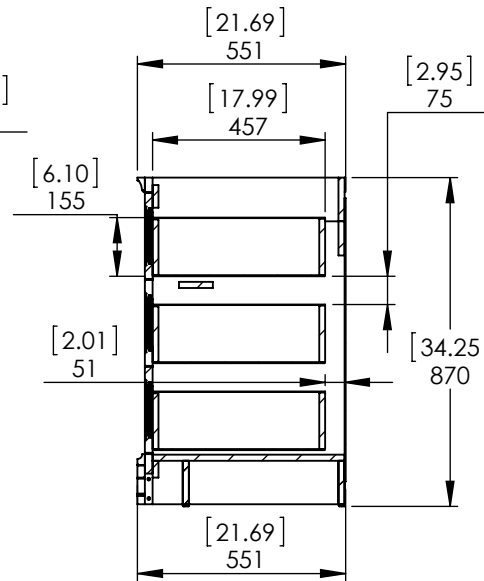
Top View



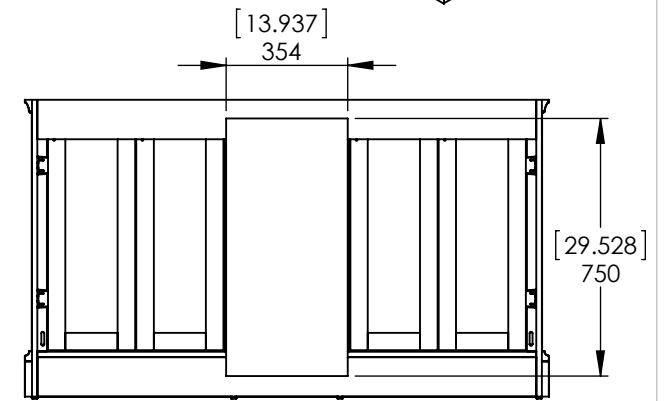
Isometric View



Front View



Section D-D



Back View

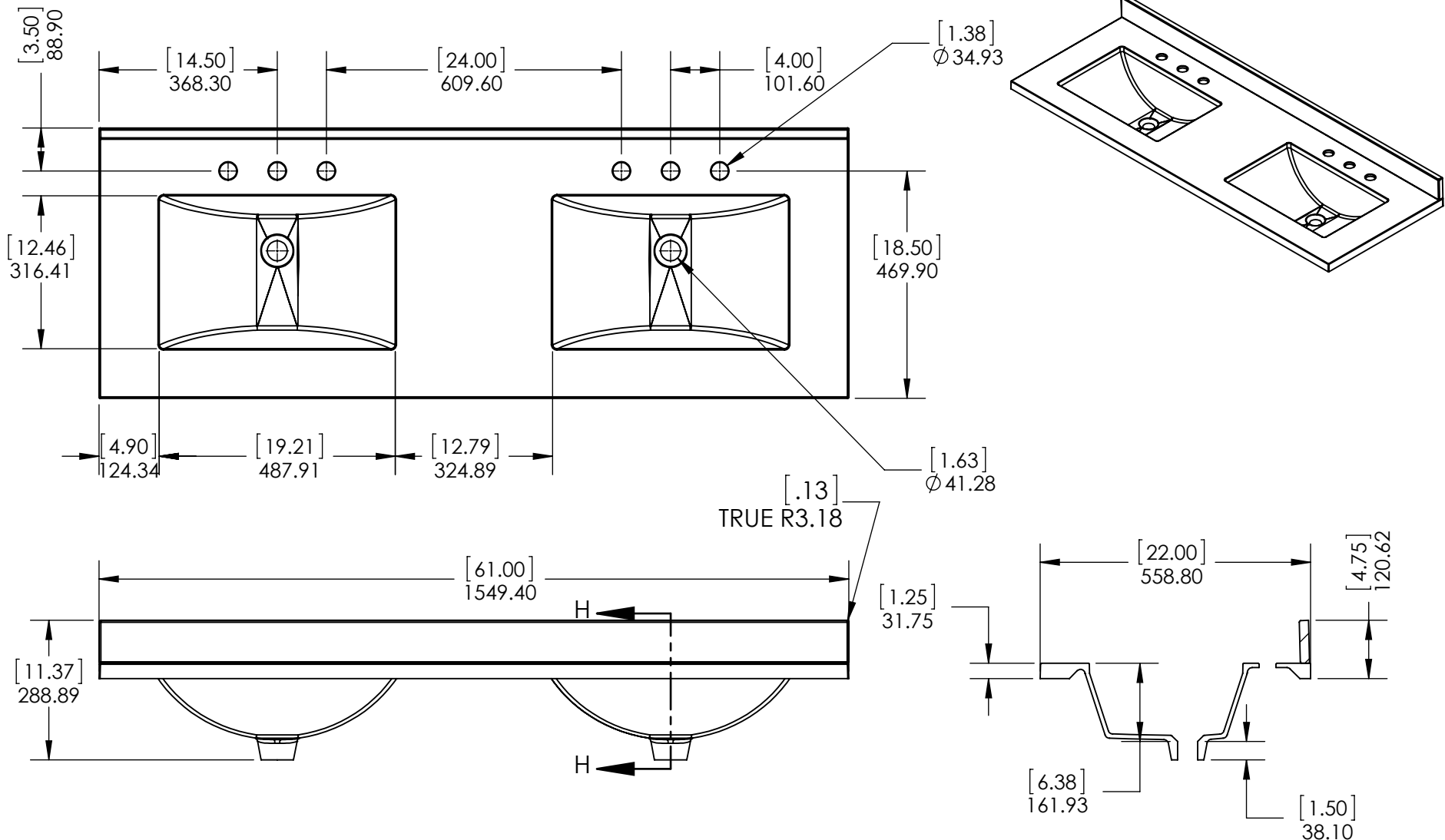
ITEM:	<b>SF60-WH SF60-ST SF60-CR SF60-CH</b>	REV	<b>A</b>
NAME:	<b>Stratfield 60in</b>		



<b>Propiedad y Confidencialidad</b> La información contenida en este dibujo es puramente propiedad de Woodcrafters Home Products LLC. Queda prohibida cualquier reproducción parcial o total sin el permiso por escrito de Woodcrafters Home Product LLC.	DWG	LAG	03/29/17	MATERIAL: <b>German beech 4/4 Laminated particle board (4 colours)</b>  <b>Stratfield 60in</b>
	REV	ING	03/29/17	
	APP	R&D	22/12/17	
	SCALE: 1:20	MODEL:		

DRAWING TYPE	ITEM ID	ITEM DESCRIPTION	TECHNOLOGIES	DRAWING STATUS
Finish Good	SS61R-AH	Vtop Rect 61x22 Bitono SS Silver Ash	Solid Surface	Ready for production
Finish Good	CM6122R-WH	61 in x 22 in. Cultured Marble Double Basin VTop - White	Cultured Marble	Ready for production

REV	ECO #	DESCRIPTION	REV'D BY DATE	CHK'D BY DATE	APRV'D BY DATE
0		New Model	2/27/18	2/27/18	2/27/18
1		New Color	11/07/18	11/07/18	11/07/18



**PROPRIETARY AND CONFIDENTIAL**  
 THE INFORMATION CONTAINED IN THIS DRAWING IS THE SOLE PROPERTY OF WOODCRAFTERS. ANY REPRODUCTION IN PART OR AS A WHOLE WITHOUT THE WRITTEN PERMISSION OF WOODCRAFTERS IS PROHIBITED.

UNLESS OTHERWISE SPECIFIED  
 DIMENSIONS ARE IN MM. AND (INCHES)  
 TOLERANCES ARE  
 +0.125 [3.175] -0.125 [-3.175]  
 SCALE:1:10

	NAME	DATE
DRAWN	O. Razo	11/07/18
CHECKED	R. Rubio	11/07/18
ENG APPR.	R. Rubio	11/07/18
MFG APPR.	C. Leal	11/07/18

**Wood Crafters**

SIZE DWG. NO. **A** Vtop Rect 61x22 Doble 8 in

SHEET 1 OF 1 REV. **0**