



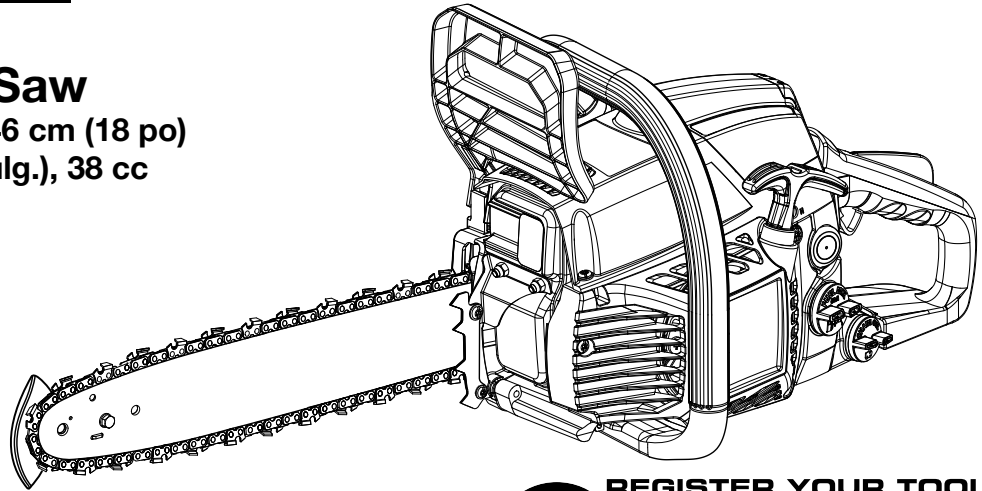
# OPERATOR'S MANUAL MANUEL D'UTILISATION MANUAL DEL OPERADOR

## 18 in. 38cc Chain Saw

Scie à chaîne de 38 cc de 46 cm (18 po)

Motosierra de 46 cm (18 pulg.), 38 cc

### RY3818



ENGINE FAMILY: \*HCPS.0384CA

FAMILLE DE MOTEUR : \*HCPS.0384CA

FAMILIA DE MOTOR: \*HCPS.0384CA



REGISTER YOUR TOOLS

<http://register.ryobitools.com>

1-800-860-4050

### NOTICE AVIS AVISO

Do not use E15 or E85 fuel in this product. It is a violation of federal law and will damage the unit and void your warranty. Only use unleaded gasoline containing up to 10% ethanol.

Ne pas utiliser d'essence E15 ou E85 dans ce produit. Une telle utilisation représente une violation de la loi fédérale et endommagera l'appareil et annulera la garantie. Utiliser seulement de l'essence sans plomb ne contenant pas plus de 10 % d'éthanol.

No utilice combustibles E15 o E85 con este producto. Esto constituye una violación a la ley federal, dañará la unidad y anulará la garantía. Utilice únicamente gasolina sin plomo que contiene hasta 10% de etanol.



Your chain saw has been engineered and manufactured to Ryobi's high standard for dependability, ease of operation, and operator safety. When properly cared for, it will give you years of rugged, trouble-free performance.

**WARNING:** To reduce the risk of injury, the user must read and understand the operator's manual before using this product.

Thank you for buying a RYOBI product.

## SAVE THIS MANUAL FOR FUTURE REFERENCE

Cette scie à chaîne a été conçue et fabriquée conformément aux strictes normes de fiabilité, simplicité d'emploi et sécurité d'utilisation de Ryobi. Correctement entretenue, elle vous donnera des années de fonctionnement robuste et sans problème.

Su motosierra ha sido diseñada y fabricada de conformidad con las estrictas normas de Ryobi para brindar fiabilidad, facilidad de uso y seguridad para el operador. Con el debido cuidado, le brindará muchos años de sólido y eficiente funcionamiento.

**AVERTISSEMENT :** Pour réduire les risques de blessures, l'utilisateur doit lire et veiller à bien comprendre le manuel d'utilisation avant d'employer ce produit.

**ADVERTENCIA:** Para reducir el riesgo de lesiones, el usuario debe leer y comprender el manual del operador antes de usar este producto.

Merci d'avoir acheté un produit RYOBI.

Le agradecemos la compra de un producto RYOBI.

**CONSERVER CE MANUEL POUR  
FUTURE RÉFÉRENCE**

**GUARDE ESTE MANUAL PARA  
FUTURAS CONSULTAS**

# TABLE OF CONTENTS

## TABLE DES MATIÈRES / ÍNDICE DE CONTENIDO

■ Introduction .....	2
Introduction / Introducción	
■ General Safety Rules .....	3-4
Règles de sécurité générales / Reglas de seguridad generales	
■ Specific Safety Rules.....	4-5
Règles de sécurité particulières / Reglas de seguridad específicas	
■ Symbols.....	6-7
Symboles / Símbolos	
■ Glossary of Terms .....	8
Glossaire / Glosario de términos	
■ Features.....	9-10
Caractéristiques / Características	
■ Assembly .....	10-11
Assemblage / Armado	
■ Operation.....	11-25
Utilisation / Funcionamiento	
■ Maintenance .....	25-38
Entretien / Mantenimiento..... 25-39	
■ Bar and Chain Combinations .....	38
Combinaisons de guide et chaîne / Combinaciones de barra y cadena.....39	
■ Troubleshooting.....	39-40
Dépannage / Corrección de problemas..... 40-41	
■ Warranty .....	41
Garantie / Garantía.....42	
■ Parts Ordering and Service .....	Back Page
Commande de pièces et réparation / Pedidos de piezas y servicio..... Page arrière / Pág. posterior	

## INTRODUCTION

### INTRODUCTION / INTRODUCCIÓN

This product has many features for making its use more pleasant and enjoyable. Safety, performance, and dependability have been given top priority in the design of this product making it easy to maintain and operate.

\* \* \*

Ce produit offre de nombreuses fonctions destinées à rendre son utilisation plus plaisante et satisfaisante. Lors de la conception de ce produit, l'accent a été mis sur la sécurité, les performances et la fiabilité, afin d'en faire un outil facile à utiliser et à entretenir.

\* \* \*

Este producto ofrece numerosas características para hacer más agradable y placentero su uso. En el diseño de este producto se ha conferido prioridad a la seguridad, el desempeño y la fiabilidad, por lo cual se facilita su manejo y mantenimiento.

# GENERAL SAFETY RULES

## **WARNING:**

**Read and understand all instructions.** Failure to follow all instructions listed below, may result in electric shock, fire and/or serious personal injury.

## **READ ALL INSTRUCTIONS**

- **Know your tool.** Read the operator's manual carefully. Learn the saw's applications and limitations as well as the specific potential hazards related to this tool.
- **Kickback may occur when the nose or tip of the guide bar touches an object,** or when the wood closes in and pinches the saw chain in the cut. Tip contact in some cases may cause a lightning-fast reverse reaction, kicking the guide bar up and back toward the operator. Pinching the saw chain along the top of the guide bar may push the guide bar rapidly back toward the operator. Either of these reactions may cause you to lose control of the saw, which could result in serious personal injury. Do not rely exclusively upon the safety devices built into the saw. As a chain saw user, you should take several steps to keep your cutting jobs free from accident or injury.
  - With a basic understanding of kickback, you can reduce or eliminate the element of surprise. Sudden surprise contributes to accidents.
  - Keep a good firm grip on the saw with both hands when the engine is running. Place your right hand on the rear handle and your left hand on the front handle with your thumbs and fingers encircling the chain saw handles. A firm grip together with a stiff left arm will help you maintain control of the saw if kickback occurs.
  - Make sure that the area in which you are cutting is free from obstructions. DO NOT let the nose of the guide bar contact a log, branch, fence, or any other obstruction that could be hit while you are operating the saw.
  - Cut at high engine speeds. Always cut with the engine running at full speed. Fully squeeze the throttle trigger and maintain a steady cutting speed.
- Do not overreach or cut above chest height.
- Follow the manufacturer's sharpening and maintenance instructions for the saw chain.
- Only use replacement bars and chains specified by the manufacturer or the equivalent.
- **Do not operate a chain saw with one hand.** Serious injury to the operator, helpers, bystanders, or any combination of these persons may result from one-handed operation. A chain saw is intended for two-handed use.
- **Do not operate a chain saw when you are fatigued.** Fatigue causes carelessness. Never operate a chain saw when you are tired, upset, or under the influence of medication, drugs, or alcohol.
- **Stay alert -** Watch what you are doing and use common sense when operating a chain saw. A moment of inattention while operating the chain saw may result in death or serious personal injury.
- **Chain saw work can be strenuous.** If you have a medical condition that may be aggravated or a disability that may prevent you from safely operating and controlling the chain saw, check with your doctor before using the chain saw.
- **Use safety footwear.** Wear snug-fitting clothing, protective gloves, and eye, hearing, and head protection devices.
- **Heavy protective clothing may increase operator fatigue, which could lead to heat stroke.** During weather that is hot and humid, heavy work should be scheduled for early morning or late afternoon hours when temperatures are cooler.
- **Do not stand on any unstable surface** while using the chain saw, such as ladders, scaffolds, trees, etc.
- **Use caution when handling fuel.** Move the chain saw at least 30 feet from the fueling point before starting the engine.
- **Do not allow other persons to be near the chain saw when starting or cutting with the chain saw.** Keep bystanders and animals out of the work area.
- **Do not start cutting until you have a clear work area,** secure footing, and a planned retreat path from the falling tree.

# GENERAL SAFETY RULES

- **Keep all parts of your body away from the saw chain** when the engine is running.
- **Always carry the chain saw with the engine stopped and the brake engaged**, the guide bar and saw chain to the rear, and the muffler away from your body. When transporting the chain saw, use the appropriate guide bar scabbard.
- **Do not operate a chain saw that is damaged**, improperly adjusted, or not completely and securely assembled. Be sure that the saw chain stops moving when the throttle control trigger is released.
- **Shut off the engine before setting the chain saw down.** Do not leave the engine running unattended. As an additional safety precaution, apply the chain brake prior to setting down the saw.
- **Use extreme caution when cutting small-size brush and saplings** because slender material may catch the saw chain and be whipped toward you or pull you off balance.
- **When cutting a limb that is under tension**, be alert for springback so that you will not be struck when the tension in the wood fibers is released.
- **Keep the handles dry**, clean, and free of oil or fuel mixture.
- **Do not start or operate the engine in a confined space, building, near open windows, or in other unventilated space where dangerous carbon monoxide fumes can collect. Carbon monoxide, a colorless, odorless, and extremely dangerous gas, can cause unconsciousness or death.**
- **Do not operate a chain saw in a tree** unless you have been specifically trained to do so.
- **Do not cut from a ladder, rooftop, or other unstable support;** this is extremely dangerous.
- **All chain saw service**, other than the items listed in the instruction manual and all maintenance, should be performed by competent chain saw service personnel. (For example, if improper tools are used to remove the flywheel or if an improper tool is used to hold the flywheel in order to remove the clutch, structural damage to the flywheel could occur and subsequently could cause the flywheel to burst.)
- **Always have a fire extinguisher available** when using chain saw.
- **Use only the replacement guide bars and low kickback chains** specified for the saw.
- **Do not adapt the powerhead to a bow guide** or use it to power any attachments or devices not listed for the saw.
- **The gas powered saw (or electrically powered saw) is classified by CSA as a Class 1C (or Class 2C) saw.** It is intended for infrequent use by homeowners, cottagers, and campers, and for such general applications as clearing, pruning, cutting firewood, etc. It is not intended for prolonged use. Prolonged periods of operation can cause circulatory problems in the user's hands due to vibration.
- **Save these instructions.** Refer to them frequently and use to instruct other users. If you loan someone this tool, loan them these instructions also.

# SPECIFIC SAFETY RULES

## **WARNING:**

The warnings, labels, and instructions found in this section of the operator's manual are for your safety. Failure to follow all instructions may result in serious personal injury.

- **Do not cut vines** and/or small underbrush (a diameter of less than 3 in.).

- **Muffler surfaces are very hot during and after operation of the chain saw;** keep all body parts away from the muffler. Serious burns may occur if contact is made with the muffler.
- **Always hold the chain saw with both hands when the engine is running.** Use a firm grip with thumbs and fingers encircling the chain saw handles.

# SPECIFIC SAFETY RULES

- **Never let anyone use the chain saw who has not received adequate instructions in its proper use.** This applies to rentals as well as privately owned saws.
- **Before you start the engine,** make sure the saw chain is not contacting any object.
- **Wear snug-fitting clothing.** Always wear heavy long pants, boots, and gloves. Do not wear jewelry, short pants, sandals, or go barefoot. Do not wear loose fitting clothing, which could be drawn into the engine or catch the chain or underbrush. Wear overalls, jeans, or chaps made of cut-resistant material or ones that contain cut-resistant inserts. Secure hair so that it is above shoulder level.
- **Wear non-slip safety footwear and heavy-duty gloves** to improve your grip and to protect your hands.
- **Wear eye protection with side shields marked to comply with ANSI Z87.1, along with hearing and head protection,** when operating this equipment.
- **Keep bystanders and animals out of the work area.** Do not allow other persons to be nearby during starting or cutting with the chain saw.  
**NOTE:** The size of the work area depends on the job being performed as well as the size tree or workpiece involved. For example, felling a tree requires a larger work area than making other cuts (i.e., bucking cuts, etc.).
- **Keep SAFE-T-TIP anti-kickback nose guard properly mounted on the guide bar** to prevent rotational kickback.
- **Follow the sharpening and maintenance instructions** for the saw chain.
- **Never operate a chain saw that is damaged, improperly adjusted, or is not completely and securely assembled.** Be sure that the saw chain stops moving when the throttle control trigger is released. If the saw chain moves at idle speed, the carburetor may need adjusting. Refer to **Adjusting the Carburetor** in the *Maintenance* section of this manual. If the saw chain still moves at idle speed after adjustment has been made, contact a qualified service center

for adjustment and discontinue use until the repair is made.

- **This product is intended for infrequent use by homeowners and other occasional users** for general applications such as clearing, pruning, cutting firewood, etc. It is not intended for prolonged use. Prolonged periods of operation can cause circulatory problems in the user's hands due to vibration. For such use, it may be appropriate to use a product having an anti-vibration feature.

## REFUELING (DO NOT SMOKE!)

- **To reduce the risk of fire and burn injury,** handle fuel with care. It is highly flammable.
- **Mix and store fuel** in a container approved for gasoline.
- **Mix fuel outdoors** where there are no sparks or flames.
- **Select bare ground, stop the engine, and allow it to cool** before refueling.
- **Loosen the fuel cap slowly** to release pressure and to keep fuel from escaping around the cap.
- **Tighten the fuel cap securely** after refueling.
- **Wipe spilled fuel from the unit.** Move 30 feet away from refueling site before starting engine.
- **Never attempt to burn off spilled fuel** under any circumstances.




## KICKBACK

- **Kickback is a dangerous reaction that can lead to serious injury.** Do not rely only on the safety devices provided with the saw. As a chain saw user, you must take special safety precautions to help keep your cutting jobs free from accident or injury. See the *General Safety Rules* and *Operation* sections of this manual for added information on kickback and how to avoid serious personal injury.
- **CAUTION:** User not to use a replacement saw chain unless it has been designated as meeting the kickback performance requirements in ANSI/OPEI B175.1-2012 on that specific power head, or has been designated as low-kickback replacement saw chain in accordance with ANSI/OPEI B175.1-2012









## SAVE THESE INSTRUCTIONS

# SYMBOLS

The following signal words and meanings are intended to explain the levels of risk associated with this product.








SYMBOL	SIGNAL	MEANING
	<b>DANGER:</b>	Indicates an hazardous situation, which, if not avoided, will result in death or serious injury.
	<b>WARNING:</b>	Indicates a hazardous situation, which, if not avoided, could result in death or serious injury.
	<b>CAUTION:</b>	Indicates a hazardous situation, that, if not avoided, may result in minor or moderate injury.
	<b>NOTICE:</b>	(Without Safety Alert Symbol) Indicates information considered important, but not related to a potential injury (e.g. messages relating to property damage).

Some of the following symbols may be used on this tool. Please study them and learn their meaning. Proper interpretation of these symbols will allow you to operate the tool better and safer.

SYMBOL	NAME	DESIGNATION/EXPLANATION
	Safety Alert	Precautions that involve your safety.
	Read The Operator's Manual	To reduce the risk of injury, user must read and understand operator's manual before using this product.
	Wear Eye, Hearing, and Head Protection	Wear eye protection with side shields marked to comply with ANSI Z87.1 as well as hearing and head protection when operating this equipment.
	Keep Tool Away from Electrical Lines/Keep Bystanders Away	DANGER! Risk of electrocution! Keep tool 50 feet away from electrical lines. Keep all bystanders at least 50 ft. away or twice the height of the largest trees in the felling area when felling.
	SAFE-T-TIP Nose Guard	The SAFE-T-TIP nose guard on the guide bar helps prevent kickback.
	Operate With Two Hands	Hold and operate the saw properly with both hands.
	One Handed	Do not operate the saw using only one hand.
	Bar Nose Contact	Avoid bar nose contact. Tip contact may cause the guide bar to move suddenly upward and backward, which may cause serious injury.

# SYMBOLS

Some of the following symbols may be used on this tool. Please study them and learn their meaning. Proper interpretation of these symbols will allow you to operate the tool better and safer.

SYMBOL	NAME	DESIGNATION/EXPLANATION
	Hot Surface	To reduce the risk of injury or damage, avoid contact with any hot surface.
	Kickback	DANGER! BEWARE OF KICKBACK.
	Wear Gloves	Wear non-slip, heavy-duty protective gloves when handling the chain saw.
	Wear Safety Footwear	Wear non-slip safety footwear when using this equipment.
	No Smoking	No smoking, sparks, or open flame.
	Carbon Monoxide	Engines produce carbon monoxide which is an odorless, deadly poison. Do not operate in an enclosed area.
	Gasoline and Lubricant	Use unleaded gasoline intended for motor vehicle use with an octane rating of 87 [(R + M)/2] or higher. This product is powered by a 2-cycle engine and requires pre-mixing gasoline and 2-cycle lubricant.

# GLOSSARY OF TERMS

## **Automatic Oiler System**

Lubrication is provided by the automatic oiler system. The oiler is driven by the sprocket and adds lubrication only when the chain is moving.

## **Bucking**

The process of cross cutting a felled tree or log into lengths.

## **Chain Brake**

A device used to stop the saw chain.

## **Chain Saw Powerhead**

A chain saw without the saw chain and guide bar.

## **Clutch**

A mechanism for connecting and disconnecting a driven member to and from a rotating source of power.

## **Drive Sprocket or Sprocket**

The toothed part that drives the saw chain.

## **Felling**

The process of cutting down a tree.

## **Felling Back Cut**

The final cut in a tree felling operation made on the opposite side of the tree from the notching undercut.

## **Front Handle**

The support handle located at or toward the front of the chain saw. This handle is for the left hand.

## **Front Handle Guard**

A structural barrier between the front handle of a chain saw and the guide bar, typically located close to the hand position on the front handle, and sometimes employed as an activating lever for a chain brake.

## **Guide Bar**

A solid railed structure that supports and guides the saw chain.

## **Kickback**

The backward or upward motion, or both, of the guide bar occurring when the saw chain near the nose of the top area of the guide bar contacts any object such as a log or branch, or when the wood closes in and pinches the saw chain in the cut.

## **Kickback (Pinch)**

The rapid pushback of the saw which can occur when the wood closes in and pinches the moving saw chain in the cut along the top of the guide bar.

## **Kickback (Rotational)**

The rapid upward and backward motion of the saw which can occur when the moving saw chain near the upper portion of the tip of the guide bar contacts an object, such as a log or branch.

## **Low-Kickback Chain**

A low kickback saw chain is a chain that has met the kickback performance requirements of ANSI/OPEI B175.1-2012 when tested according to the provisions specified in ANSI/OPEI B175.1-2012.

## **Normal Cutting Position**

Those positions assumed in performing the bucking and felling cuts.

## **Notching Undercut**

A notch cut in a tree that directs the tree's fall.

## **Rear Handle**

The support handle located at or toward the rear of the saw. It normally contains the throttle. This handle is for the right hand.

## **Reduced Kickback Guide Bar**

A guide bar which has been demonstrated to reduce kickback significantly.

## **Replacement Saw Chain**

A chain that complies with the kickback performance requirements of ANSI B175.1 when tested with specific chain saws.

## **SAFE-T-TIP Anti-Kickback Nose Guard**

An attachment that may be provided on the end of the guide bar to prevent the chain at the end of the guide bar from contacting the wood.

## **Saw Chain**

A loop of chain having cutting teeth that cut the wood, and that is driven by the sprocket and is supported by the guide bar.

## **Springpole**

A small tree (sapling) or limb that is bent or trapped under tension. It may "spring back" rapidly when cut, causing a dangerous situation.



# FEATURES

## PRODUCT SPECIFICATIONS

Bar length .....	18 in.	Drive sprocket .....	6-tooth
Chain pitch .....	3/8 in.	Engine displacement .....	38cc
Chain gauge .....	.050 in.	Idle engine speed .....	2,700 ± 200 r/min. (RPM)
Chain type .....	Low Profile Skip Tooth	Fuel tank capacity .....	10.4 oz.
Chain drive links .....	62	Chain lubricant tank capacity .....	7.1 oz.

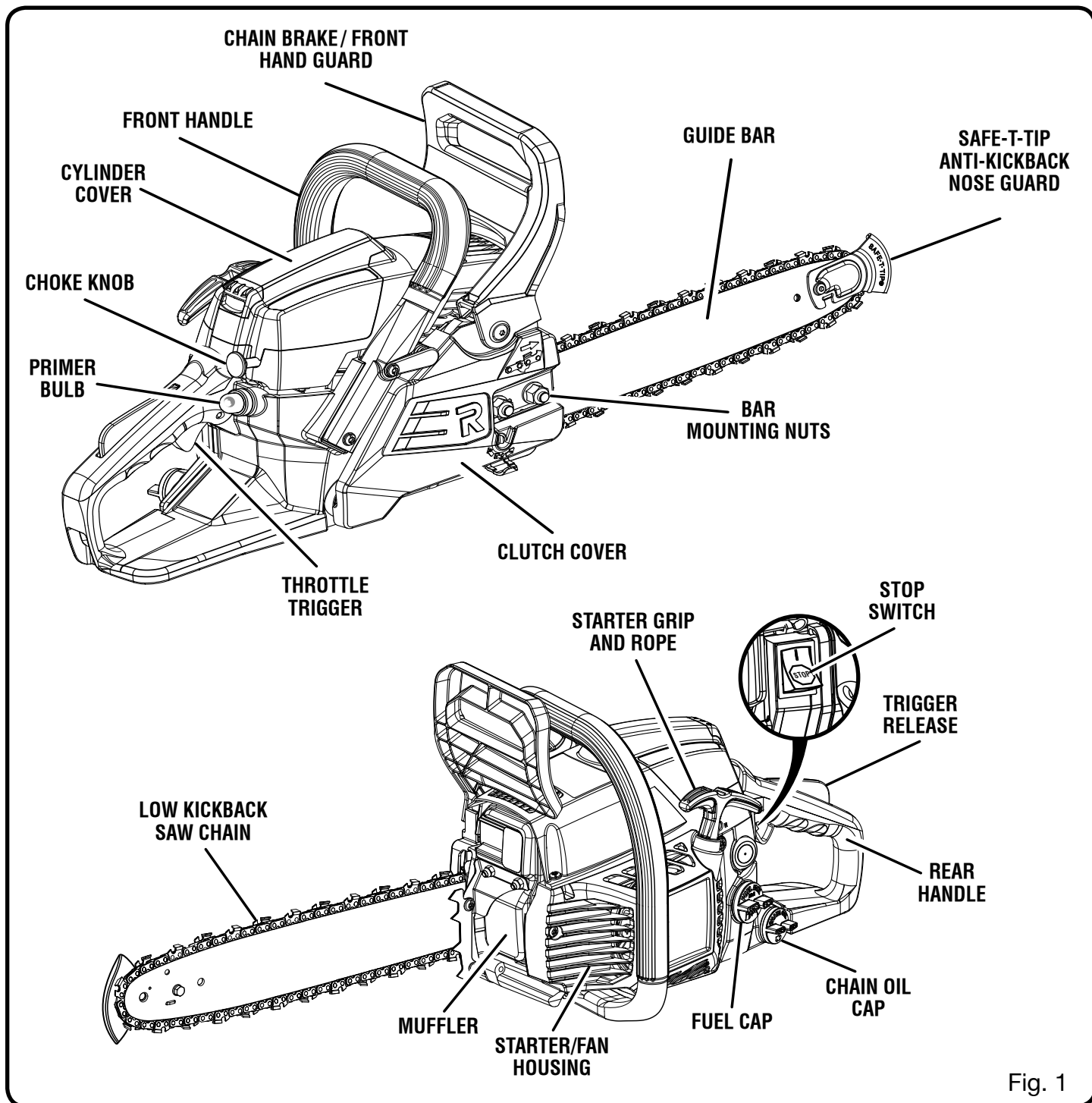


Fig. 1

# FEATURES

## KNOW YOUR CHAIN SAW

See Figure 1.

The safe use of this product requires an understanding of the information on the tool and in this operator's manual as well as a knowledge of the project you are attempting. Before use of this product, familiarize yourself with all operating features and safety rules.

## CHOKE KNOB

The choke knob opens and closes the choke valve in the carburetor. Positions available include FULL CHOKE, HALF CHOKE, and RUN.

## COMBINATION WRENCH

A combination wrench tool is provided for use when performing various maintenance procedures.

## CHAIN BRAKE / FRONT HAND GUARD

The chain brake is designed to quickly stop the chain from rotating. When the chain brake/front hand guard is pushed toward the bar, the chain should stop immediately. The chain brake does not prevent kickback.

## GUIDE BAR

The factory-equipped guide bar has a small radius tip that offers somewhat lower kickback potential.

## LOW KICKBACK SAW CHAIN

The low kickback saw chain helps minimize the force of a kickback reaction by preventing the cutters from digging in too deeply at the kickback zone.

## PRIMER BULB

The primer bulb pumps fuel from the fuel tank to the carburetor.

## SAFE-T-TIP ANTI-KICKBACK NOSE GUARD

The SAFE-T-TIP Anti-Kickback Nose Guard is an attachment provided on the end of the guide bar to prevent the chain on the end of the guide bar from contacting the wood.

## THROTTLE TRIGGER

The throttle trigger is used for starting the chain saw, and also for controlling chain rotation.

# ASSEMBLY

## UNPACKING

This product has been shipped completely assembled.

- Carefully remove the tool and any accessories from the box. Make sure that all items listed in the packing list are included.

### **WARNING:**

Do not use this product if it is not completely assembled or if any parts appear to be missing or damaged. Use of a product that is not properly and completely assembled could result in serious personal injury.

- Inspect the tool carefully to make sure no breakage or damage occurred during shipping.

- Do not discard the packing material until you have carefully inspected and satisfactorily operated the tool.
- If any parts are damaged or missing, please call 1-800-860-4050 for assistance.

## PACKING LIST

Chain Saw  
Scabbard  
Combination Wrench  
2-Cycle Engine Lubricant  
Operator's Manual  
Carrying Case

## ASSEMBLY

### **WARNING:**

If any parts are damaged or missing, do not operate this tool until the parts are replaced. Use of this product with damaged or missing parts could result in serious personal injury.

### **WARNING:**

Do not attempt to modify this tool or create accessories not recommended for use with this tool. Any such alteration or modification is misuse and could result in a hazardous condition leading to possible serious personal injury.

**NOTE:** The chain saw has been fully factory tested. It is normal to find some slight lubricant residue on the saw. Read and remove all hang tags and store with the Operator's Manual.

## OPERATION

### **DANGER:**

Never cut near power lines, electric cords, or other electric sources. If bar and chain jams on any electrical cord or line, **DO NOT TOUCH THE BAR OR CHAIN! THEY CAN BECOME ELECTRICALLY LIVE AND VERY DANGEROUS.** Continue to hold the chain saw by the insulated rear handle or lay it down and away from you in a safe manner. Disconnect the electrical service to the damaged line or cord before attempting to free the bar and chain from the line or cord. Contact with the bar, chain, other conductive parts of the chain saw, or live electric cords or lines will result in death by electrocution, electric shock, or serious personal injury.

### **WARNING:**

Do not allow familiarity with tools to make you careless. Remember that a careless fraction of a second is sufficient to inflict serious injury.

### **WARNING:**

Muffler surfaces are very hot during and after operation of the chain saw; keep all body parts away from the muffler. Serious burns can occur if contact is made with the muffler.

### **WARNING:**

Always wear eye protection with side shields marked to comply with ANSI Z87.1, along with hearing and head protection. Failure to do so could result in objects being thrown into your eyes and other possible serious injuries.

### **WARNING:**

Do not use any attachments or accessories not recommended by the manufacturer of this tool. The use of attachments or accessories not recommended can result in serious personal injury.

### **WARNING:**

This product is equipped with a spark arrestor that has been evaluated by the USDA Forest Service; however, product users must comply with Federal, State, and local fire prevention regulations. Check with appropriate authorities. Contact customer service or a qualified service center to purchase a replacement spark arrestor.

# OPERATION

## **⚠ WARNING:**

Never fell a tree or cut a log or limb that has a diameter greater than the length of the guide bar. Only properly trained professionals should perform these cuts. Performing these types of cuts can cause an accident and result in death or serious personal injury.

## **NOTICE:**

Before each use, inspect the entire product for damaged, missing, or loose parts such as screws, nuts, bolts, caps, etc. Tighten securely all fasteners and caps and do not operate this product until all missing or damaged parts are replaced. Please contact customer service or a qualified service center for assistance.

## **APPLICATIONS**

You may use this tool for the purposes listed below:

- Basic limbing, felling, and woodcutting

## **FUEL AND REFUELING**

### **HANDLING THE FUEL SAFELY**

## **⚠ WARNING:**

Check for fuel leaks. A leaking fuel cap, tank, or line is a fire hazard and must be replaced immediately. If you find any leaks, correct the problem before using the product. Failure to do so could result in a fire that could cause serious personal injury.

- Always handle fuel with care; it is highly flammable.
- Always refuel outdoors and do not inhale fuel vapors.
- Do not let gasoline or lubricant come in contact with skin.
- Keep gasoline and lubricant away from the eyes. If gasoline or lubricant comes in contact with the eyes, wash them immediately with clean water. If irritation is still present, see a doctor immediately.
- Clean up spilled fuel immediately.

Refer to **Refueling** in the *Specific Safety Rules* section of this manual for additional safety information.

## **ETHANOL-BLENDED FUELS**

### **NOTICE:**

**Do not use E15 or E85 fuel in this product. It is a violation of federal law and will damage the unit and void your warranty. Only use unleaded gasoline containing up to 10% ethanol.**

**NOTE:** To improve performance when using ethanol-blended fuels, we recommend the use of Ethanol Shield 2-cycle lubricant.

### **MIXING THE FUEL**

This product is powered by a 2-cycle engine and requires pre-mixing gasoline and 2-cycle lubricant. Pre-mix unleaded gasoline and 2-cycle engine lubricant in a clean container approved for gasoline. DO NOT mix quantities larger than usable in a 30-day period.

**Recommended fuel:** This engine is certified to operate on unleaded gasoline intended for automotive use.

**NOTE:** We recommend you use Ethanol Shield 2-cycle lubricant or an equivalent high-quality synthetic 2-cycle lubricant in this product. Mix at 2.6 oz. per gallon (US).

Do not use automotive lubricant or 2-cycle outboard lubricant.

### **HIGH QUALITY 2-CYCLE ENGINE LUBRICANT (50:1)**



#### **GASOLINE**

1 Gallon (US)  
1 Liter

#### **LUBRICANT**

2.6 oz.  
20 cc (20 ml)

### **FILLING THE FUEL TANK**

See Figure 2.

## **⚠ WARNING:**

Gasoline and its vapors are highly flammable and explosive. To prevent serious personal injury and property damage, handle it with care. Keep away from ignition sources and open flames, handle outdoors only, do not smoke, and wipe up spills immediately.

- Clean the surface around the fuel cap to prevent contamination.
- Loosen the fuel cap slowly.

# OPERATION

- Carefully pour the fuel mixture into the tank. Avoid spillage.
- Prior to replacing the fuel cap, clean and inspect the o-ring.
- Immediately replace the fuel cap and hand tighten. Wipe up any fuel spillage.

**NOTE:** It is normal for the engine to emit smoke during and after the first use.

## **⚠ WARNING:**

Always shut off engine before fueling. Never remove fuel cap or add fuel to a machine with a running or hot engine. Make sure unit is sitting on a flat, level surface and only add fuel outdoors. If the engine is hot, allow to cool for at least five minutes before adding fuel. Immediately replace fuel cap after fueling and tighten securely. Move at least 30 ft. from refueling site before starting the engine. Do not smoke and stay away from open flames and sparks. Failure to heed this warning can result in possible personal injury.

## BAR AND CHAIN LUBRICATION

See Figure 3.

The bar and chain require continuous lubrication. Lubrication is provided by the automatic oiler system when the oil tank is kept filled. Lack of lubricant will quickly ruin the bar and chain. Too little lubricant will cause overheating shown by smoke coming from the chain and/or discoloration of the bar. Lubrication can be increased or decreased by turning (up to 1/4 turn maximum) the adjustment screw located on the bottom of the crankcase with the screwdriver end of the included combination wrench.

## **⚠ WARNING:**

NEVER adjust the automatic oiler system when the engine is running. Failure to do so could cause serious personal injury.

## ADDING BAR AND CHAIN LUBRICANT

See Figure 3.

Use a bar and chain lubricant designed for lubricating chain saw chains. They are formulated to extend bar and chain life by protecting against wear and reducing friction and heat. Chain saw

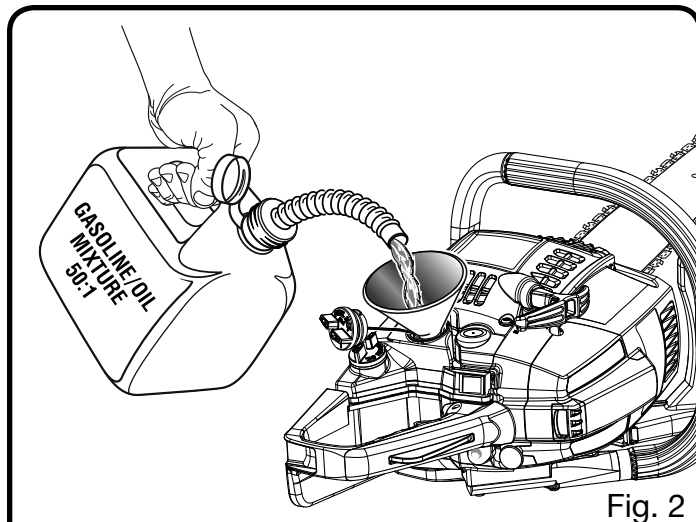


Fig. 2

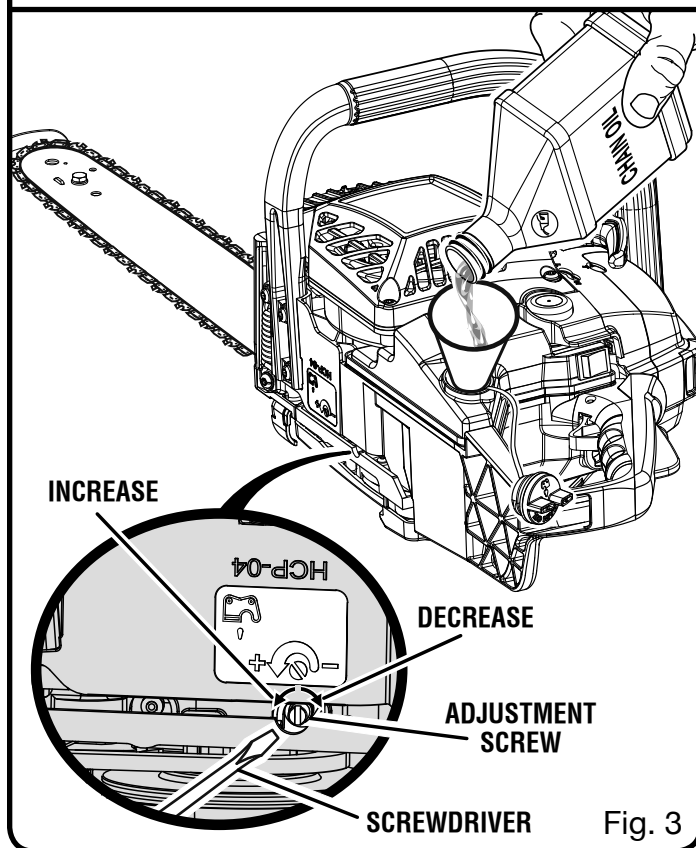


Fig. 3

should use approximately one tank of lubricant per tank of fuel.

**NOTE:** Do not use dirty, used, or otherwise contaminated lubricants. Damage will occur to the oil pump, bar, or chain.

- Carefully pour the bar and chain lubricant into the oil tank.
- Fill the oil tank every time you fuel the engine.

# OPERATION

## OPERATING THE CHAIN BRAKE

See Figures 4 - 5.

Check the operating condition of the chain brake prior to each use.

- Using the back of your left hand, engage the chain brake by pushing the chain brake lever/hand guard toward the bar while the chain is rotating rapidly.
- Reset the chain brake back into the RUN position by grasping the top of the chain brake lever/hand guard and pulling toward the front handle until you hear a click.

### **⚠ WARNING:**

If the chain brake does not stop the chain immediately, or if the chain brake will not stay in the run position without assistance, take the saw to a qualified service center for repair prior to use.

### **NOTICE:**

Before each use, check to make sure that the chain is properly tensioned. A cold chain is correctly tensioned when there is no slack on the underside of the guide bar, the chain is snug, and it can be turned by hand without binding. During normal saw operation, the temperature of the chain increases. The drive links of a correctly tensioned warm chain will hang approximately .050 in. out of the bar groove.

See the **Adjusting the Chain Tension** instructions in the *Maintenance* section of this manual to properly adjust the chain tension.

## STARTING THE ENGINE

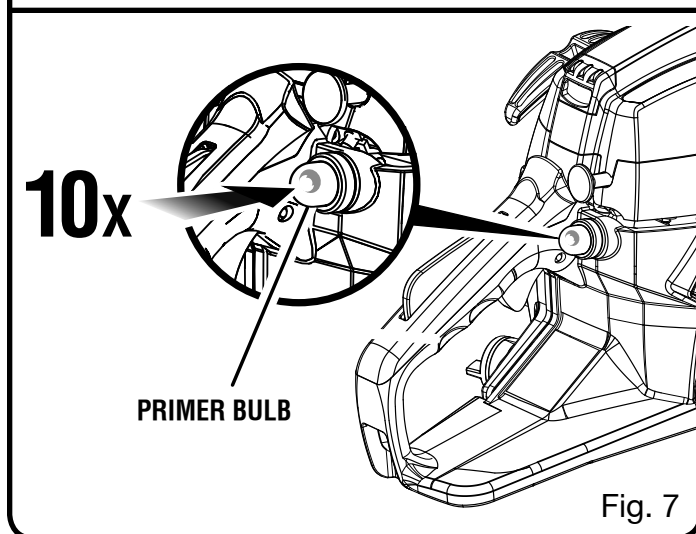
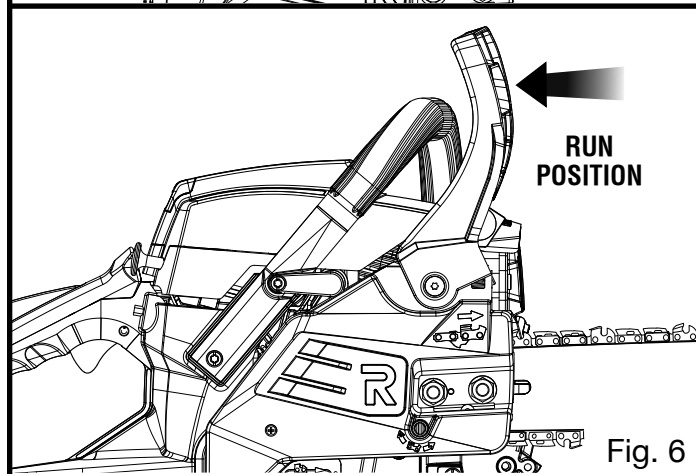
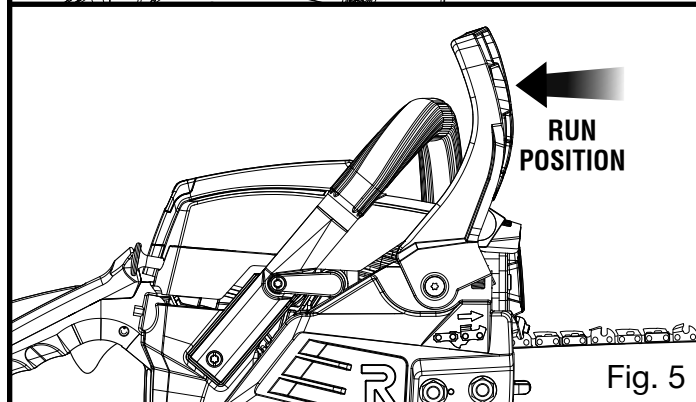
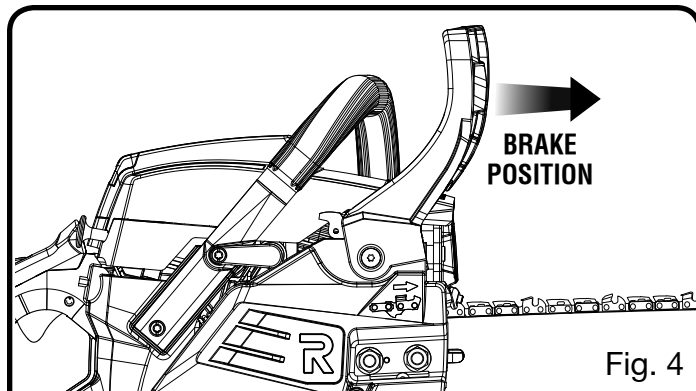
See Figures 6 - 9.

The starting method differs depending on whether the engine is cold or warm.

### **⚠ WARNING:**

Keep your body to the left of the chain line. Never straddle the saw or chain, or lean over past the chain line.

- Place the chain saw on level ground and ensure that no objects or obstructions are in the imme-



# OPERATION

diate vicinity that could come in contact with the bar and chain. To prevent rapid dulling of the chain, do not allow the bar and chain to contact dirt on the ground.

- Hold the front handle firmly with your left hand and put your right foot onto the base of the rear handle.

## To start a cold engine:

- Make sure the chain brake is in the run position by pulling back on the lever/hand guard.
- Pull choke knob all the way out to **FULL CHOKE (I-I)** position.
- Fully press and release the primer bulb 10 times.
- Pull the starter grip and rope until the engine attempts to start, but no more than 5 times.
- Push the choke knob in to the **RUN (R)** position.
- Pull starter grip and rope until engine runs.

### **NOTICE:**

Failure to release partial throttle when chain brake lever is in the brake position will result in serious damage to the unit. Never squeeze and hold the throttle trigger while the chain brake is in the brake position.

## To start a warm engine:

- Make sure the chain brake is in the run position by pulling back on the lever/hand guard.
- Pull starter grip and rope until engine runs.

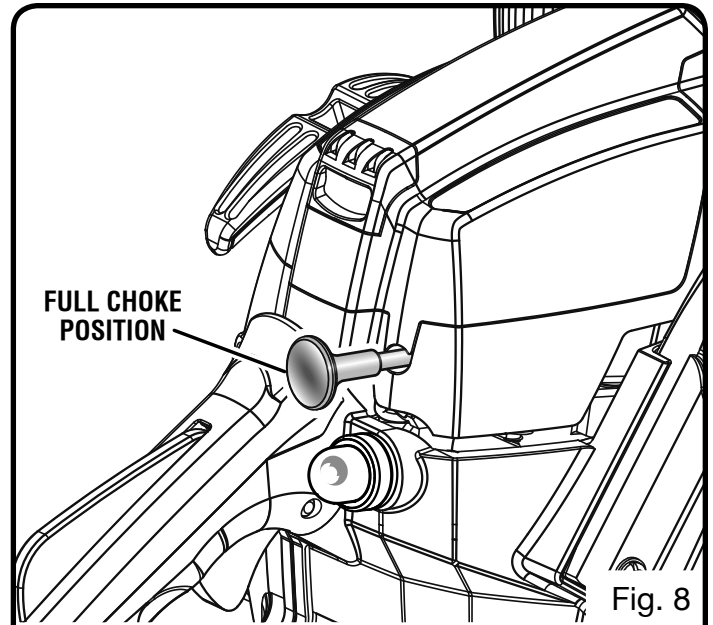


Fig. 8

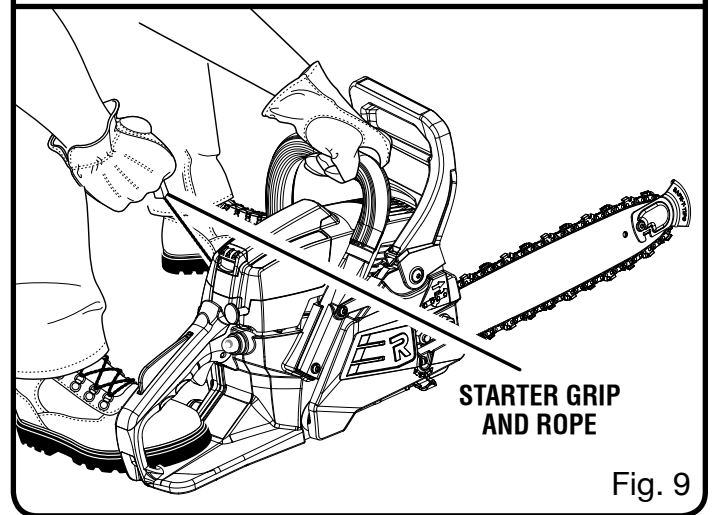


Fig. 9

# OPERATION

## STOPPING THE ENGINE

See Figures 10 - 11.

Release the throttle trigger and let the engine return to idle. To stop the engine, fully press the stop switch. Do not put the chain saw on the ground when the chain is still moving. For additional safety, set the chain brake when the saw is not in use.

In the event that the stop switch will not stop the saw, pull the choke knob out to the fully extended position (**FULL CHOKE** / |←|) and engage chain brake to stop the engine. If the stop switch will not stop the saw when pressed, have the stop switch repaired before using the chain saw again to prevent unsafe conditions or serious injury.

**NOTE:** When you are finished using the saw, always relieve tank pressure by loosening, then retightening, the chain oil and fuel mix caps. Allow the engine to cool before storing.

## ADJUSTING IDLE SPEED

See Figure 12.

### **⚠ WARNING:**

The chain will move around the guide bar when adjusting the idle speed. Wear all protective clothing and keep all bystanders, children, and pets at least 50 ft. away. Make adjustments with the unit supported on a stable surface so that the chain/guide bar does not contact the ground or any object. Keep all parts of your body away from the chain/guide bar and muffler. Failure to follow these instructions could result in serious personal injury.

- If the engine starts, runs, and accelerates, but will not idle, turn the idle speed screw "T" clockwise to increase idle speed.
- If the chain turns at idle, turn the idle speed screw "T" counterclockwise to reduce the idle RPM and stop the chain movement. If the saw chain still moves at idle speed, contact a qualified service center for adjustment and discontinue use until the repair is made.

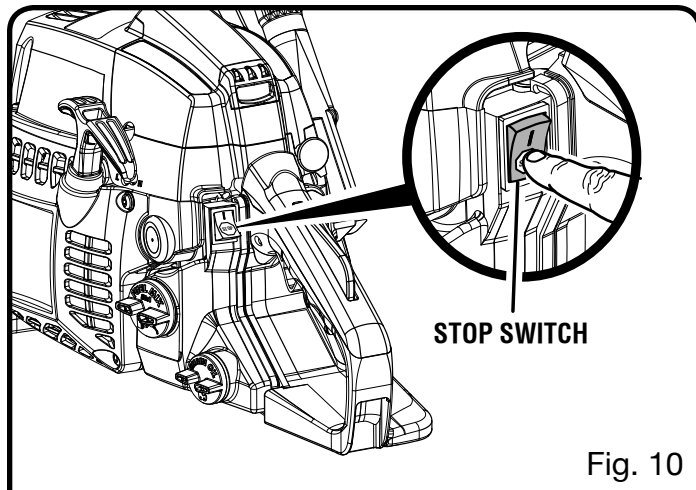


Fig. 10

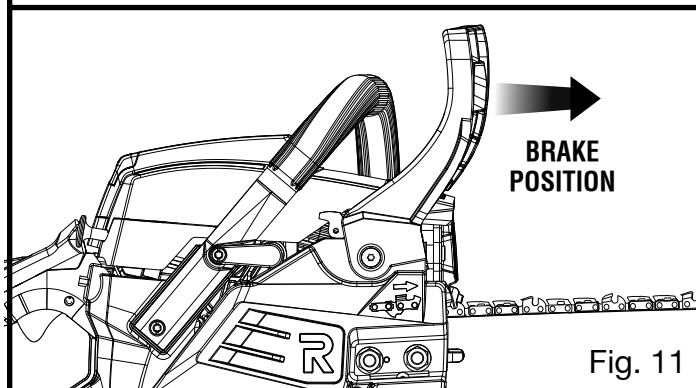


Fig. 11

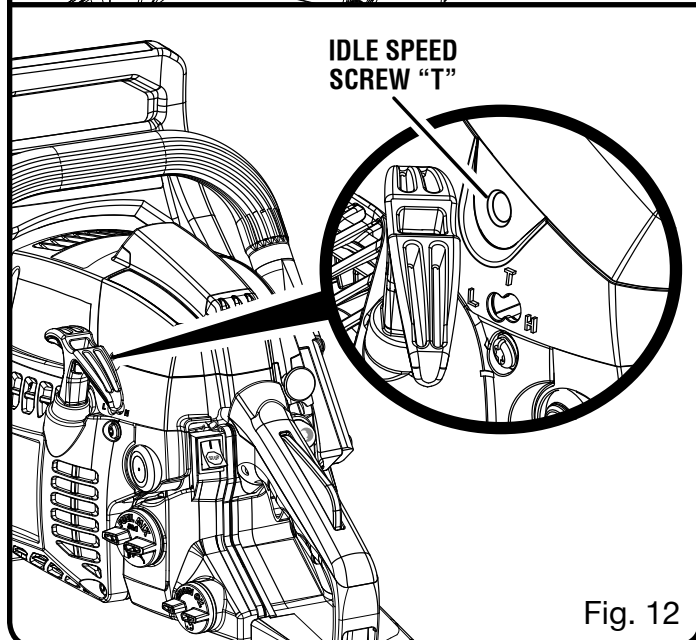


Fig. 12



# OPERATION

## **⚠ WARNING:**

THE SAW CHAIN SHOULD NEVER TURN AT IDLE. Turn the idle speed screw “T” counter-clockwise to reduce the idle RPM and stop the chain, or contact a qualified service center for adjustment and discontinue use until the repair is made. Serious personal injury may result from the saw chain turning at idle.

## **PULL AND PUSH**

See Figure 13.

The reaction force of the saw is always opposite to the direction the chain is moving. Thus, the operator must be ready to control the PULL when cutting on the bottom edge of the bar and the PUSH when cutting along the top edge.

**NOTE:** The chain saw has been fully factory tested. It is normal to find some slight lubricant residue on the saw.

## **⚠ WARNING:**

KICKBACK occurs when the moving chain contacts an object at the upper portion of the tip of the guide bar or when the wood closes in and pinches the saw chain in the cut. Contact at the upper portion of the tip of the guide bar can cause the chain to dig into the object and stop the chain for an instant. The result is a lightning-fast reverse reaction which kicks the guide bar up and back toward the operator. If the saw chain is pinched along the top of the guide bar, the guide bar can be driven rapidly back toward the operator. Either of these reactions can cause loss of saw control, which can result in serious injury.

Do not rely exclusively upon the safety devices built into the saw. As a chain saw user, you should take steps to keep your cutting jobs free from accident or injury. See *General Safety Rules* for more details.

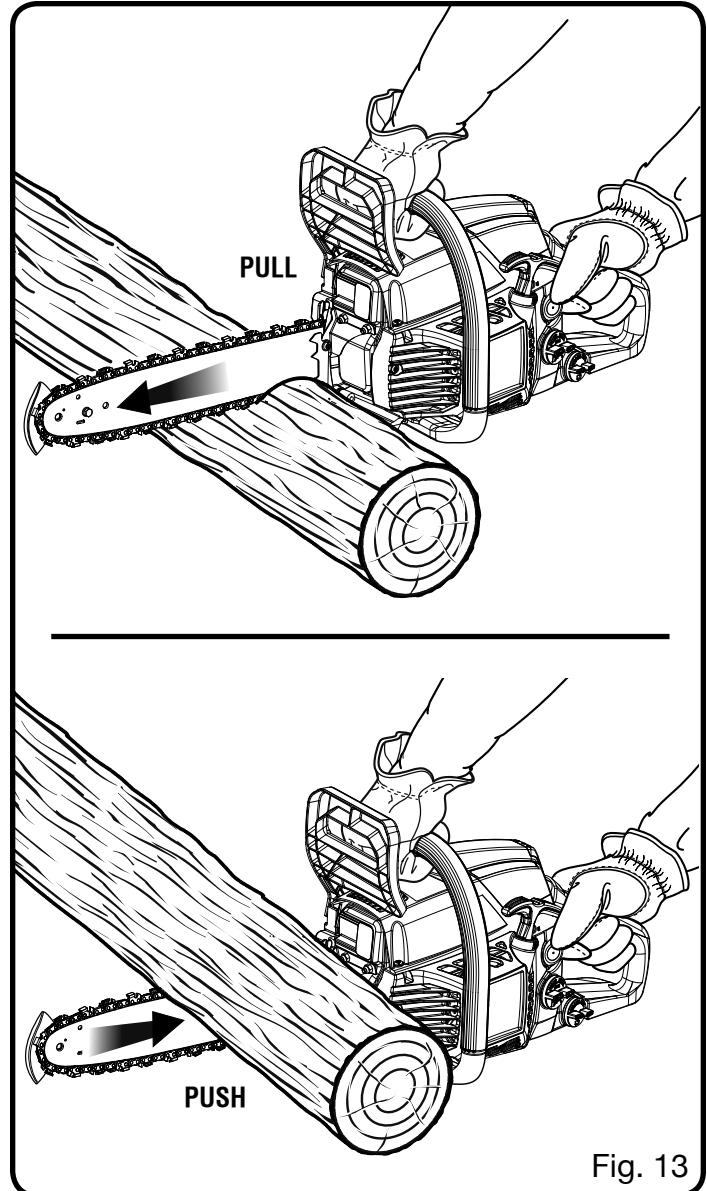


Fig. 13

# OPERATION

## KICKBACK PRECAUTIONS

See Figures 14 - 15.

Rotational kickback occurs when the moving chain contacts an object at the Kickback Danger Zone of the guide bar. The result is a lightning-fast reverse reaction, which kicks the guide bar up and back towards the operator. This reaction can cause loss of control, which can result in serious injury.

## PREPARING FOR CUTTING

### PROPER GRIP ON HANDLES

See Figure 16.

See *General Safety Rules* for appropriate safety equipment.

- Wear non-slip gloves for maximum grip and protection.
- Hold the saw firmly with both hands. Always keep your left hand on the front handle and your right hand on the rear handle so that your body is to the left of the chain line.

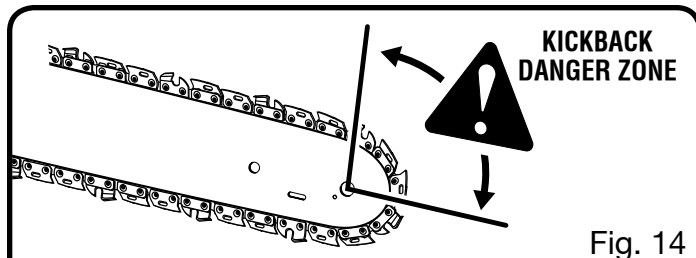


Fig. 14

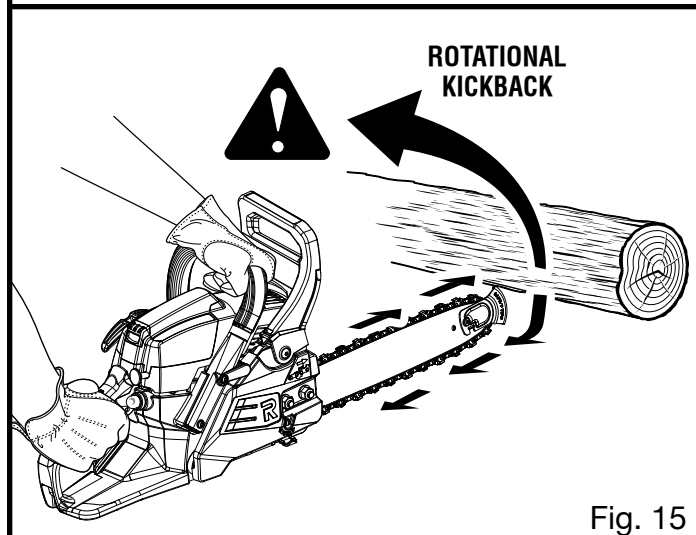


Fig. 15

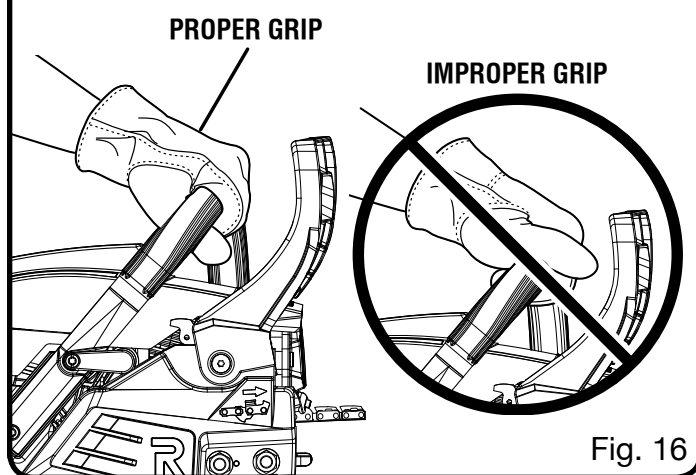
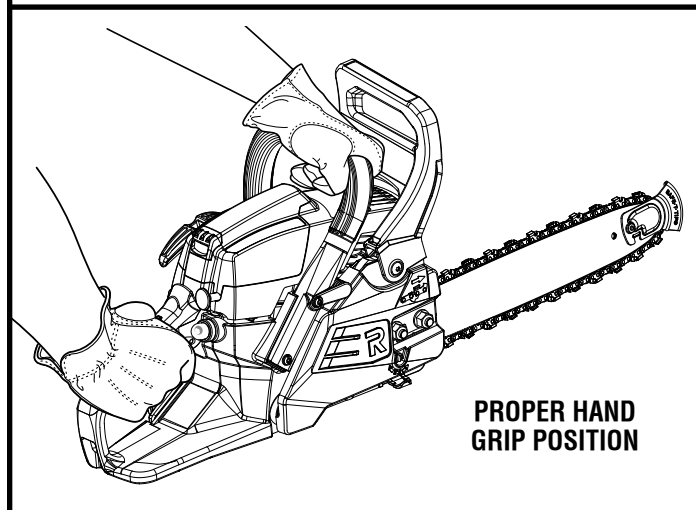
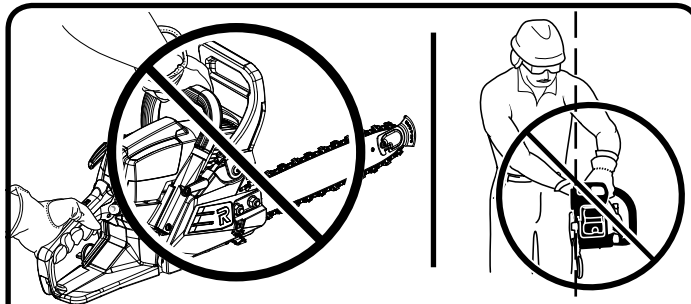


Fig. 16

### **⚠ WARNING:**

Never use a left-handed (cross-handed) grip or any stance that would place your body or arm across the chain line.



### **⚠ WARNING:**

CHAIN LINE →

DO NOT operate the throttle trigger with your left hand and hold the front handle with your right hand. Never allow any part of your body to be in the chain line while operating a saw.

- Maintain a proper grip on the saw whenever the engine is running. The fingers should encircle the handle and the thumb is wrapped under the handlebar. This grip is least likely to be broken by a kickback or other sudden reaction of the

# OPERATION

saw. Any grip in which the thumb and fingers are on the same side of the handle is dangerous because a slight kick of the saw can cause loss of control.

## PROPER CUTTING STANCE

See Figure 17.

### **⚠ WARNING:**

Always use the proper cutting stance described in this section. Never kneel when using the chain saw, except when felling a tree as illustrated in Figure 22. Kneeling could result in loss of stability and control of the chain saw, resulting in serious personal injury.

- Balance your weight with both feet on solid ground.
- Keep left arm with elbow locked in a “straight arm” position to withstand any kickback force.
- Keep your body to the left of the chain line.
- Keep your thumb on underside of handlebar.

## WORK AREA PRECAUTIONS

See Figure 18.

- Cut only wood or materials made from wood; no sheet metal, no plastics, no masonry, no non-wood building materials.
- Never allow children to operate the saw. Allow no person to use this chain saw who has not read this operator’s manual or received adequate instructions for the safe and proper use of this chain saw.
- Keep everyone – helpers, bystanders, children, and animals, a **SAFE DISTANCE** from the cutting area. During felling operations, the safe distance should be a least twice the height of the largest trees in the felling area. During bucking operations, keep a minimum distance of 15 feet between workers.
- Always cut with both feet on solid ground to prevent being pulled off balance.
- Do not cut above chest height as a saw held higher is difficult to control against kickback forces.
- Do not fell trees near electrical wires or buildings. Leave this operation for professionals.

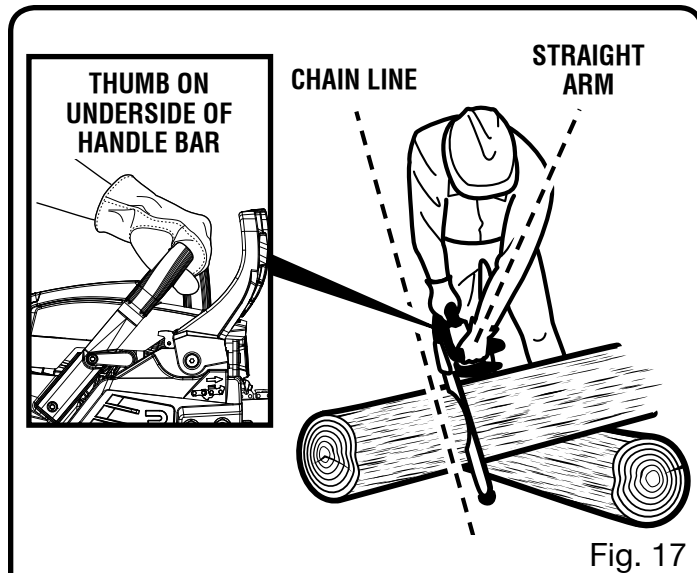


Fig. 17



Fig. 18

- Cut only when visibility and light are adequate for you to see clearly.

## BASIC OPERATING/CUTTING PROCEDURES

Practice cutting a few small logs using the following technique to get the “feel” of using the saw before you begin a major sawing operation.

- Take the proper stance in front of the wood with the saw idling.
- Accelerate the engine to full throttle just before entering the cut by squeezing the throttle trigger.
- Begin cutting with the saw against the log.
- Keep the engine at full throttle the entire time you are cutting.
- Allow the chain to cut for you; exert only light downward pressure. Forcing the cut could result in damage to the bar, chain, or engine.

# OPERATION

- Release the throttle trigger as soon as the cut is completed allowing the engine to idle. Running the saw at full throttle without a cutting load can result in unnecessary wear to the chain, bar, and engine.
- Do not put pressure on the saw at the end of the cut.

## FELLING TREES

### HAZARDOUS CONDITIONS

See Figures 19 - 22.

#### **⚠ WARNING:**

Do not fell trees during periods of high wind or heavy precipitation. Wait until the hazardous weather has ended.

#### **⚠ WARNING:**

Closely check for broken or dead branches, which could fall while cutting and do not cut near buildings or electrical wires if you do not know the direction of tree fall. Do not cut at night or during bad weather conditions, such as rain, snow, or strong winds, which can reduce visibility and control of the chain saw. If the tree you are felling makes contact with any utility line, you should discontinue use of the chain saw and immediately notify the utility company. Failure to follow these instructions could result in death or serious personal injury.

When felling a tree, it is important that you heed the following warnings to prevent possible serious injury.

- Do not cut down trees having an extreme lean or large trees with rotten limbs, loose bark, or hollow trunks. Have these trees pushed or dragged down with heavy equipment, then cut them up.
- Do not cut trees near electrical wires or buildings.
- Check the tree for damaged or dead branches that could fall and hit you during felling.

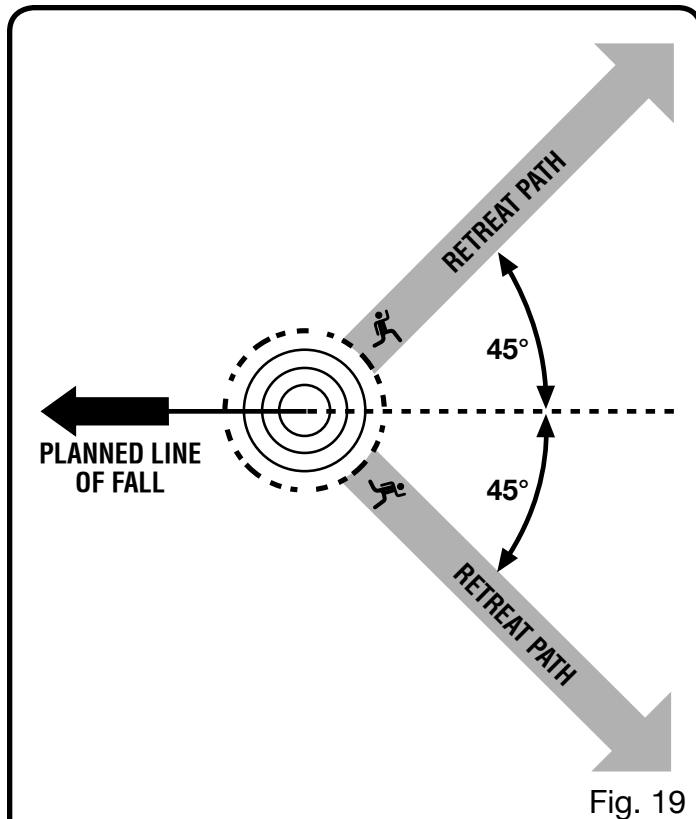


Fig. 19

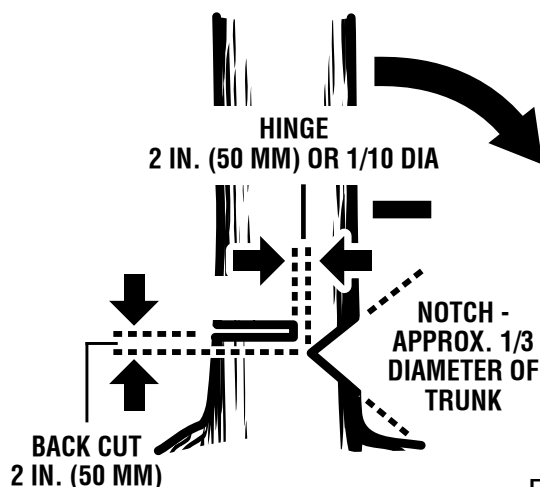


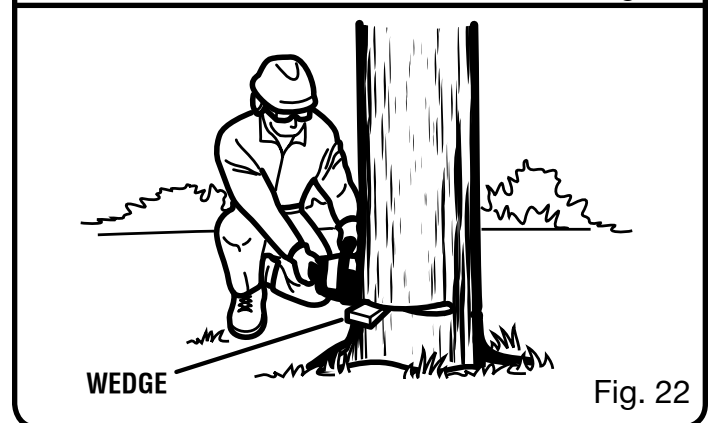
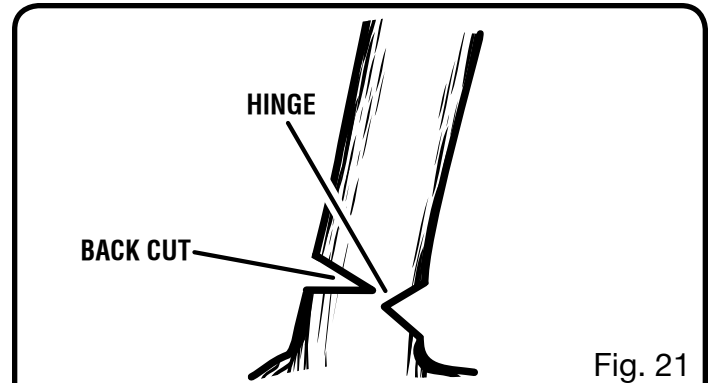
Fig. 20

- Periodically glance at the top of the tree during the backcut to assure the tree is going to fall in the desired direction.
- If the tree starts to fall in the wrong direction, or if the saw gets caught or hung up during the fall, leave the saw and save yourself!
- Felling a tree – When bucking and felling operations are being performed by two or more persons, at the same time, the felling operation should be separated from the bucking operation by a distance of at least twice the height of the

# OPERATION

tree being felled. Trees should not be felled in a manner that would endanger any person, strike any utility line or cause any property damage. If the tree does make contact with any utility line, the utility company should be notified immediately.

- Before any cuts are started, pick your escape route (or routes in case the intended route is blocked); clear the immediate area around the tree and make sure there are no obstructions in your planned path of retreat. Clear paths of safe retreat should extend back and diagonally (45°) to the rear of the planned line of fall. When the tree begins to fall, you should retreat away from the direction of fall along a retreat path and at least 20 feet away from the trunk in case it kicks back over the stump. *See Figure 19.*
- Before felling is started, consider the force and direction of the wind, the lean and balance of the tree, and the location of large limbs. These things influence the direction in which the tree will fall. Do not try to fell a tree along a line different from its natural line of fall.
- The chain saw operator should keep on the uphill side of the terrain as the tree is likely to roll or slide downhill after it is felled.
- Remove dirt, stones, loose bark, nails, staples, and wire from the tree where felling cuts are to be made.
- **Notched Undercut.** Cut a notch about 1/3 the diameter of the tree as shown in figure 20. Make the cuts of the notch so they intersect at a right angle to the line of fall. This notch should be cleaned out to leave a straight line. To keep the weight of the wood off the saw, always make the lower cut of the notch before the upper cut. *See Figure 20.*
- **Felling Backcut.** The backcut is always made level and horizontal, and at a minimum of 2 in. above the horizontal cut of the notch. *See Figures 20 - 21.*
- Never cut through to the notch. Always leave a band of wood between the notch and backcut (approximately 2 in. or 1/10 the diameter of the tree). This is called “hinge” or “hingewood.” It controls the fall of the tree and prevents slipping or twisting or shoot-back of the tree off the stump. *See Figures 20 - 21.*
- On large diameter trees, stop the back cut before it is deep enough for the tree to either



fall or settle back on the stump. Then insert soft wooden or plastic wedges into the cut so they do not touch the chain. The wedges can be driven in, little by little, to help jack the tree over. *See Figure 22.*

**NOTE:** When bucking or felling with a wedge, it may be necessary to remove the SAFE-T-TIP anti-kickback nose guard to allow the bar to be drawn through the cut. After the cut is complete, the tip should be reinstalled immediately.

- As tree starts to fall, stop the chain saw and put it down immediately. Retreat along the cleared path, but watch the action in case something falls your way. Be alert for overhead limbs or branches that may fall and watch your footing.

## **⚠ WARNING:**

Never cut through to the notch when making a backcut. The hinge controls the fall of the tree, this is the section of wood between the notch and backcut.

# OPERATION

## BUCKING

See Figure 23.

Bucking is the term used for cutting a fallen tree to the desired log length.

- Cut only one log at a time.
- Support small logs on a saw horse or another log while bucking.
- Keep a clear cutting area. Make sure that no objects can contact the guide bar nose and chain during cutting, this can cause kickback. To avoid the danger, keep the SAFE-T-TIP anti-kickback device attached while cutting. Refer to **Kickback** in the *Specific Safety Rules* section of this manual for more information.
- When bucking on a slope, always stand on the uphill side of the log. To maintain complete control of the chain saw when cutting through the log, release the cutting pressure near the end of the cut without relaxing your grip on the chain saw handles. Do not let the chain contact the ground. After completing the cut, wait for the saw chain to stop before you move the chain saw. Always stop the motor before moving from tree to tree.

## BUCKING WITH A WEDGE

See Figure 24.

If the wood diameter is large enough for you to insert a soft bucking wedge without touching the chain, you should use the wedge to hold the cut open to prevent pinching.

**NOTE:** When bucking or felling with a wedge, you may need to remove the SAFE-T-TIP anti-kickback device to allow the bar to be drawn through the cut. After you complete the cut, reinstall the tip.

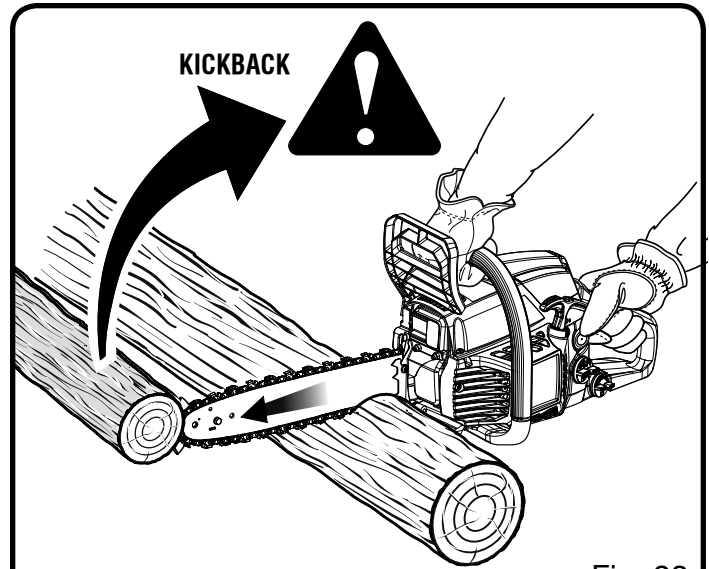


Fig. 23

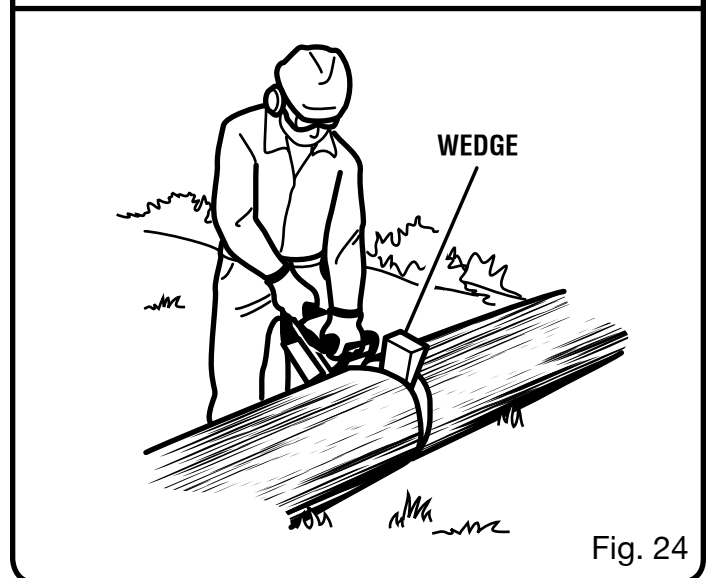


Fig. 24

# OPERATION

## BUCKING LOGS UNDER STRESS

See Figure 25.

Make the first bucking cut 1/3 of the way through the log and finish with a 2/3 cut on the opposite side. As you cut the log, it will tend to bend. The saw can become pinched or hung in the log if you make the first cut deeper than 1/3 of the diameter of the log.

Give special attention to logs under stress to prevent the bar and chain from pinching.

## OVERBUCKING

See Figure 26.

Begin on the top side of the log with the bottom of the saw against the log; exert light pressure downward. Note that the saw will tend to pull away from you.

## UNDERBUCKING

See Figure 27.

Begin on the underside of the log with the top of the saw against the log; exert light pressure upward. During underbucking, the saw will tend to push back at you. Be prepared for this reaction and hold the saw firmly to maintain control.

## LIMBING

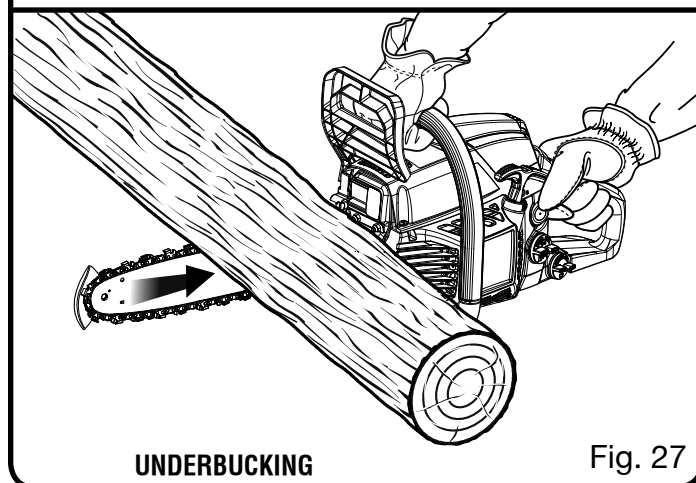
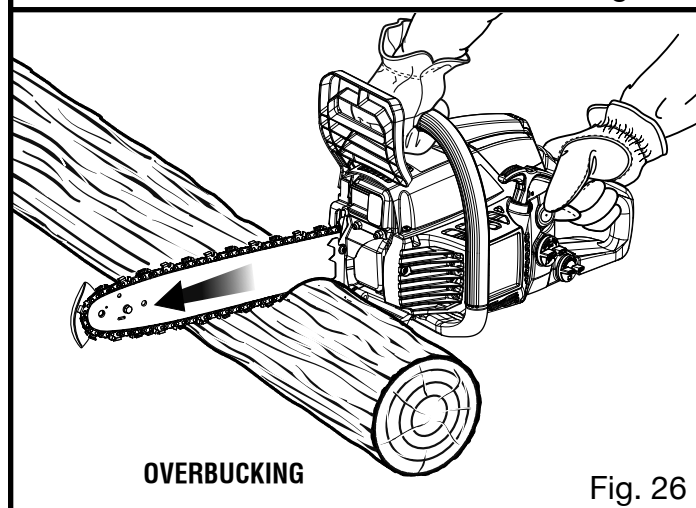
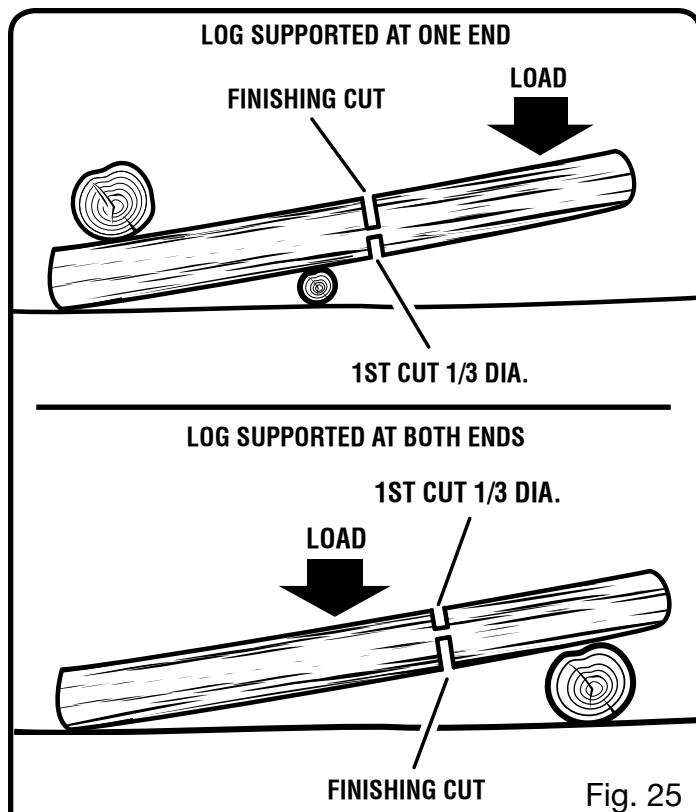
See Figure 28.

### **⚠ WARNING:**

Never climb into a tree to limb or prune. Do not stand on ladders, platforms, a log, or in any position which can cause you to lose your balance or control of the saw, which could result in death or other serious personal injury.

Limbing is removing branches from a fallen tree.

- Work slowly, keeping both hands on the chain saw with a firm grip. Always make sure your footing is secure and your weight is distributed evenly on both feet.
- Leave the larger support limbs under the tree to keep the tree off the ground while cutting.
- Limbs should be cut one at a time. Remove the cut limbs from the work area often to help keep the work area clean and safe.



# OPERATION

- Branches under tension should be cut from the bottom up to avoid binding the chain saw.
- Keep the tree between you and the chain saw while limbing. Cut from the side of the tree opposite the branch you are cutting.

## PRUNING

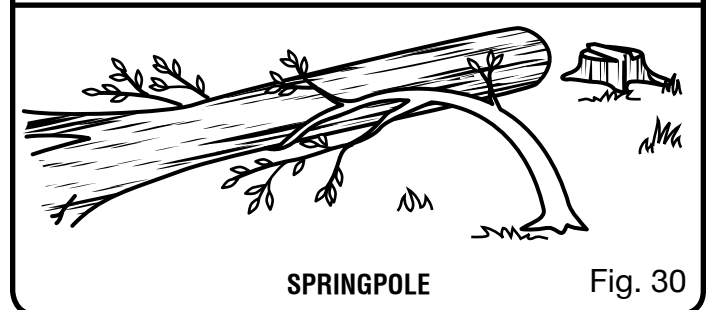
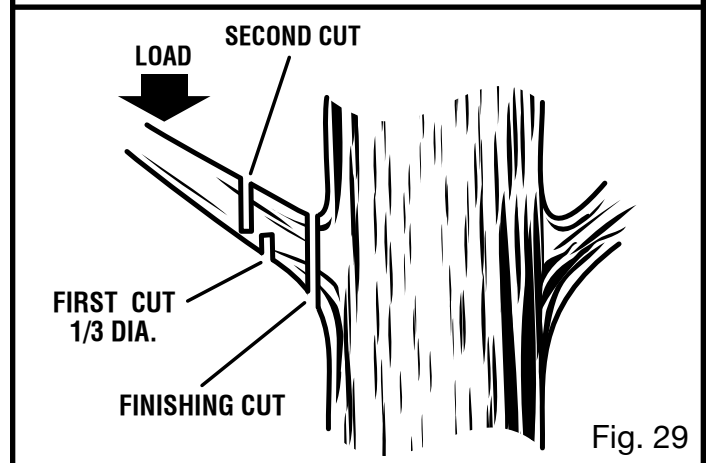
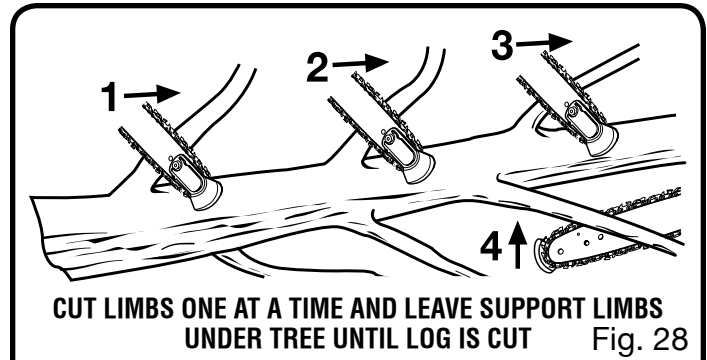
See Figure 29.

Pruning is trimming limbs from a live tree.

- Work slowly, keeping both hands on the chain saw with a firm grip. Always make sure your footing is secure and your weight is distributed evenly on both feet.
- Do not cut from a ladder, this is extremely dangerous. Leave this operation for professionals.
- Do not cut above chest height as a saw held higher is difficult to control against kickback.
- When pruning trees it is important not to make the finishing cut next to the main limb or trunk until you have cut off the limb further out to reduce the weight. This prevents stripping the bark from the main member.
- Underbuck the branch 1/3 through for your first cut.
- Your second cut should overbuck to drop the branch off.
- Now make your finishing cut smoothly and neatly against the main member so the bark will grow back to seal the wound.

### **⚠ WARNING:**

If the limbs to be pruned are above chest height, hire a professional to perform the pruning. Failure to do so could result in death or serious personal injury.





# OPERATION

## CUTTING SPRINGPOLES

See Figure 30.

A springpole is any log, branch, rooted stump, or sapling which is bent under tension by other wood so that it springs back if the wood holding it is cut or removed. On a fallen tree, a rooted stump has a high potential of springing back to the upright position during the bucking cut to separate the log from the stump. Watch out for springpoles — they are dangerous.

### **WARNING:**

Springpoles are dangerous and could strike the operator, causing the operator to lose control of the chain saw. This could result in severe or fatal injury to the operator.

# MAINTENANCE

Normal maintenance, replacement or repair of emission control devices and systems may be performed by any qualified repair establishment or individual with original or equivalent parts. Warranty and recall repairs must be performed by an authorized service center; please contact customer service for assistance.

### **WARNING:**

Before inspecting, cleaning, or servicing the machine, shut off engine, wait for all moving parts to stop, and disconnect spark plug wire and move it away from spark plug. Failure to follow these instructions can result in serious personal injury or property damage.

### **WARNING:**

Muffler surfaces are very hot during and after operation of the chain saw; keep all body parts away from the muffler. Serious burns can occur if contact is made with the muffler.

### **WARNING:**

Always wear eye protection with side shields marked to comply with ANSI Z87.1, along with hearing and head protection. Failure to do so could result in objects being thrown into your eyes and other possible serious injuries.

### **WARNING:**

When servicing, use only recommended or equivalent replacement parts. Use of any other parts may create a hazard or cause product damage.

### **NOTICE:**

Periodically inspect the entire product for damaged, missing, or loose parts such as screws, nuts, bolts, caps, etc. Tighten securely all fasteners and caps and do not operate this product until all missing or damaged parts are replaced. Please contact customer service or a qualified service center for assistance.

## GENERAL MAINTENANCE

Avoid using solvents when cleaning plastic parts. Most plastics are susceptible to damage from various types of commercial solvents and may be damaged by their use. Use clean cloths to remove dirt, dust, lubricant, grease, etc.

### **WARNING:**

Do not at any time let brake fluids, gasoline, petroleum-based products, penetrating oils, etc., come in contact with plastic parts. Chemicals can damage, weaken or destroy plastic which may result in serious personal injury.

# MAINTENANCE

## REPLACING THE GUIDE BAR AND CHAIN

See Figures 31 - 40.

### **⚠ DANGER:**

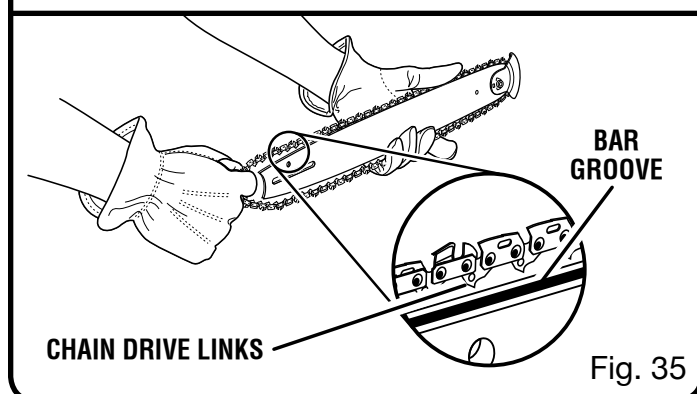
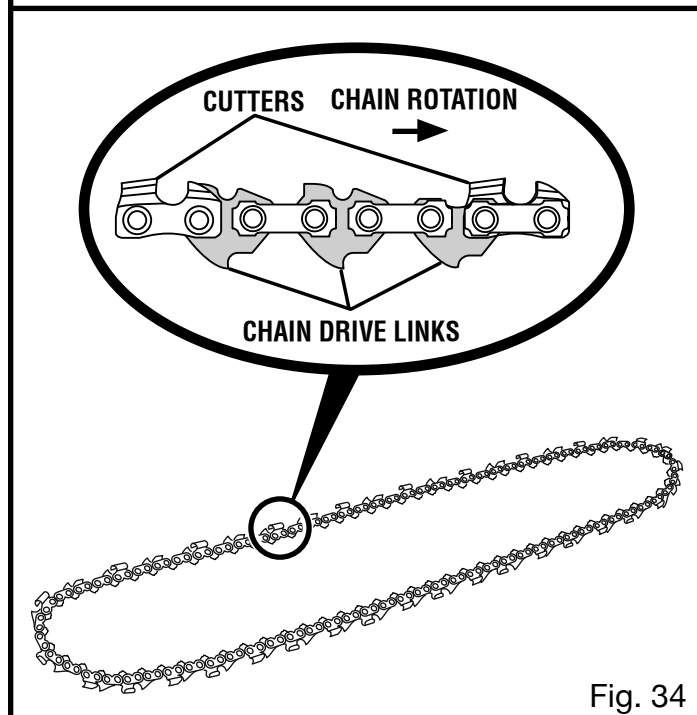
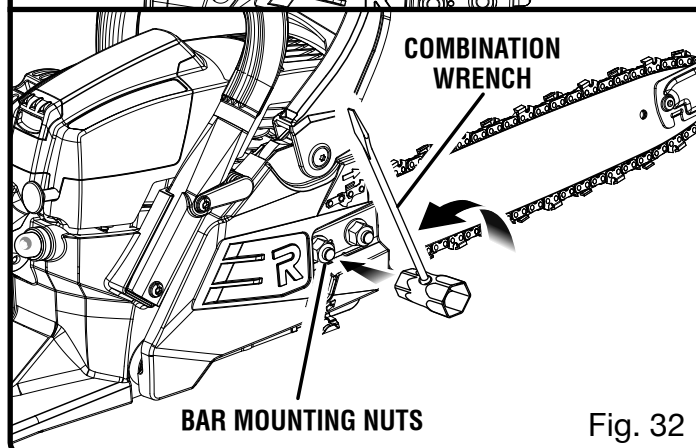
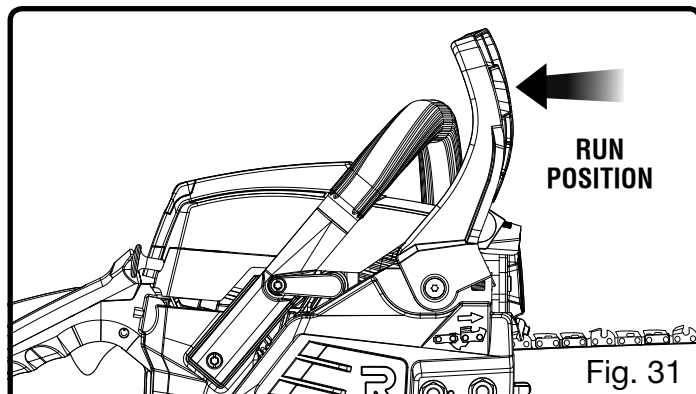
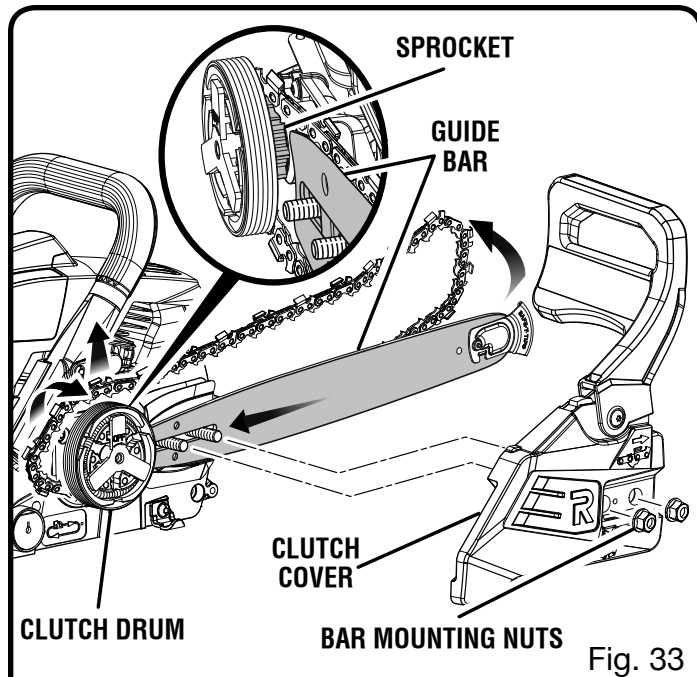
Never start the engine before installing the guide bar, chain, drivecase cover, and clutch drum. Without all these parts in place, the clutch can fly off or explode, exposing the user to possible death or serious injury.

### **⚠ WARNING:**

To avoid serious personal injury, read and understand all the safety instructions in this section.

- Stop the engine and disconnect the spark plug wire before you work on the saw.
- Make sure the chain brake is not set by pulling the chain brake lever/hand guard towards the front handle to the run position.

**NOTE:** When replacing the guide bar and chain, always use the specified bar and chain listed in



# MAINTENANCE

the **Bar and Chain Combinations** section later in this manual.

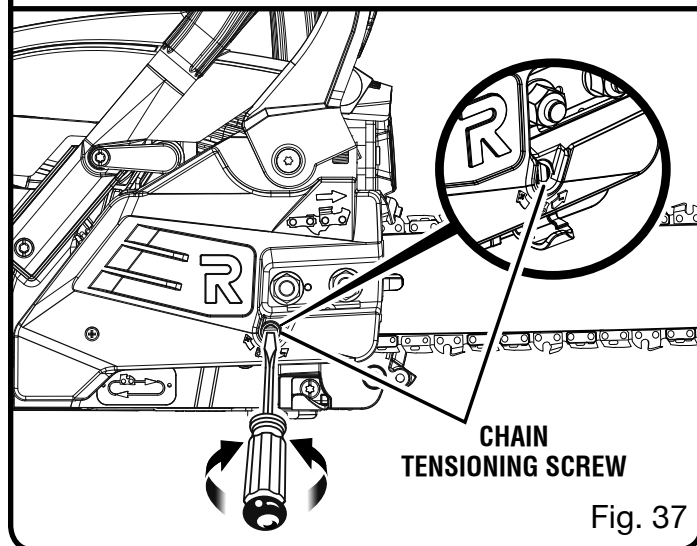
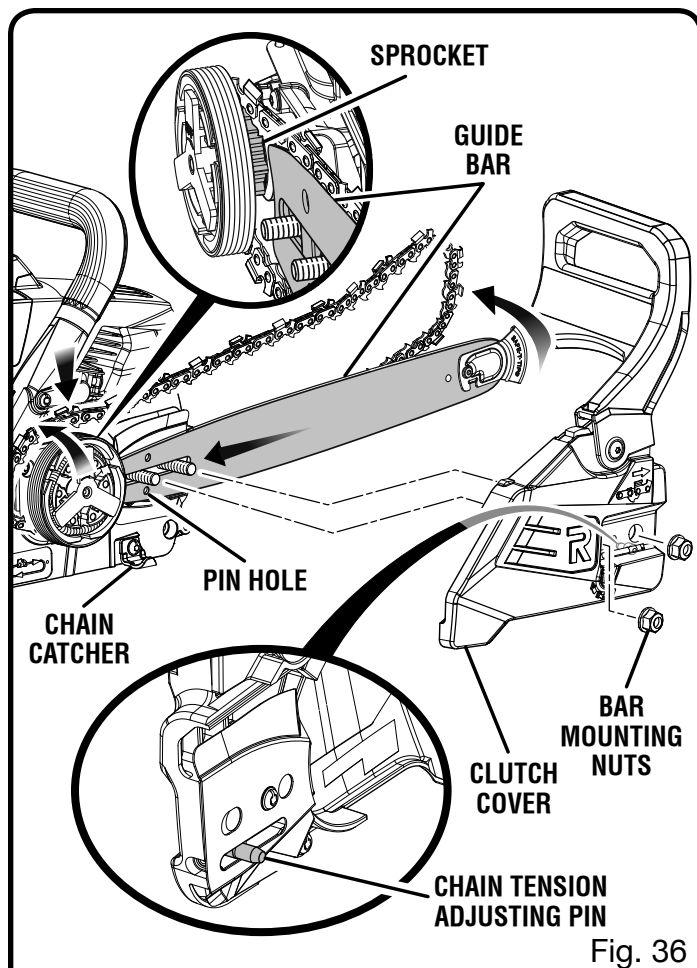
- Wear gloves when handling the chain and bar. These components are sharp and may contain burrs.
- Remove the bar mounting nuts using the combination wrench provided.
- Remove the clutch cover.
- Slide the bar toward the sprocket allowing slack in the chain.
- From the back side of the bar, lift the old chain off the nose and then remove it from the top of the bar, off the sprocket and over the clutch drum.
- Lay out the new saw chain in a loop and straighten any kinks. The cutters should face in the direction of chain rotation. If they face backwards, turn the loop over.
- Fit the bar flush against the mounting surface so that the bar studs are in the long slot of the bar.
- Position the chain over the nose as shown so it is behind the bar. Holding the chain in position, place the left end of the loop over the clutch drum and around the sprocket.

**NOTE:** Be sure the chain rests in the chain catcher to ensure alignment of the drive links in the bar groove.

- Place the chain drive links into the bar groove as shown. Slide the top of the chain toward the nose until the drive links fit into the bar groove.
- Slide the bar away from the sprocket allowing the chain to tighten. Be sure to keep the bar flush against the mounting surface.
- Replace the clutch cover ensuring that the adjusting pin in the clutch cover is in the bar chain tensioning pin hole and that both bar studs are securely in their respective holes in the clutch cover.

**NOTE:** The adjusting pin may need to be slightly repositioned with the chain tensioning screw so that it is aligned with the position of the bar chain tensioning pin hole.

- Replace the clutch cover and bar mounting nuts.



- Finger-tighten the bar mounting nuts. The bar must be free to move for tension adjustment.
- Remove all slack from the chain by turning the chain tensioning screw clockwise until the chain seats snugly against the bar with the drive links in the bar groove.

# MAINTENANCE

- Lift the tip of the guide bar up to check for sag.
- Release the tip of the guide bar and turn the chain tensioning screw 1/2 turn clockwise. Repeat this process until sag does not exist.
- Hold the tip of the guide bar up and tighten the bar mounting nuts securely.

The chain is correctly tensioned when there is no sag on the underside of the guide bar, the chain is snug, but it can be turned by hand without binding. Ensure that the chain brake is not set.

**NOTE:** If chain is too tight, it will not rotate. Loosen the bar nuts slightly and turn the tension adjuster 1/4 turn counterclockwise. Lift the tip of the guide bar up and retighten the bar nuts securely. Ensure that the chain will rotate without binding.

## ADJUSTING THE CHAIN TENSION

See Figures 41 - 43.

### **⚠ WARNING:**

Shut off engine, wait for all moving parts to stop, and disconnect spark plug wire and move it away from spark plug. Never touch or adjust the chain while the engine is running. The saw chain is very sharp. Always wear protective gloves when performing maintenance on the chain. Failure to follow these instructions can result in serious personal injury.

- Stop the engine before setting the chain tension.
- Make sure the bar mounting nuts are loosened to finger tight.
- Turn the chain tensioning screw clockwise to tension the chain.

**NOTE:** A cold chain is correctly tensioned when there is no slack on the underside of the guide bar, the chain is snug, and it can be turned by hand without binding.

- Retension the chain whenever the flats on the tie straps hang out of the bar groove.

**NOTE:** During normal saw operation, the temperature of the chain increases. The tie straps of a correctly tensioned warm chain will hang approximately .050 in. out of the bar groove. The tip of the combination wrench can be used

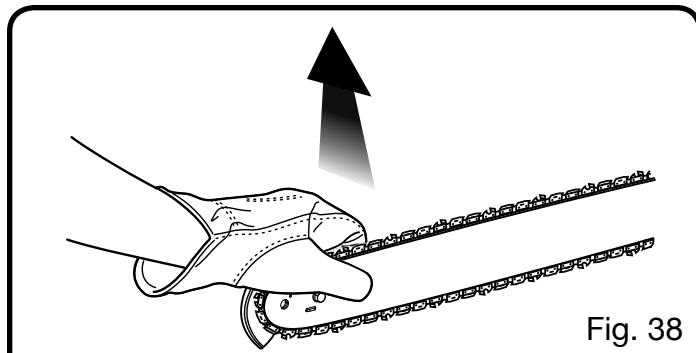


Fig. 38

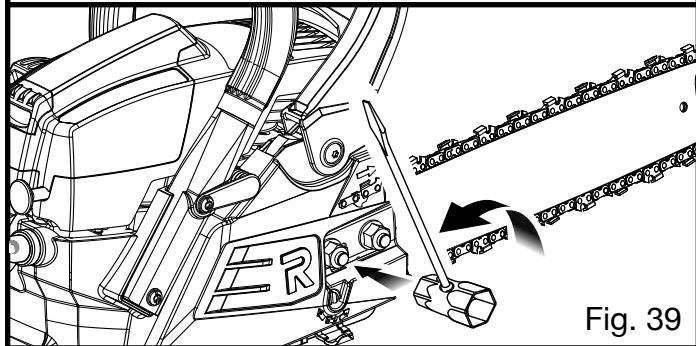


Fig. 39

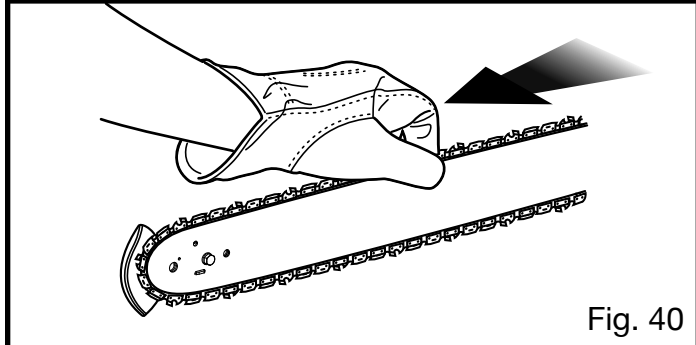


Fig. 40

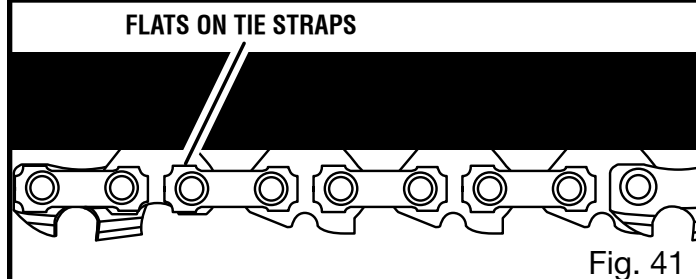


Fig. 41

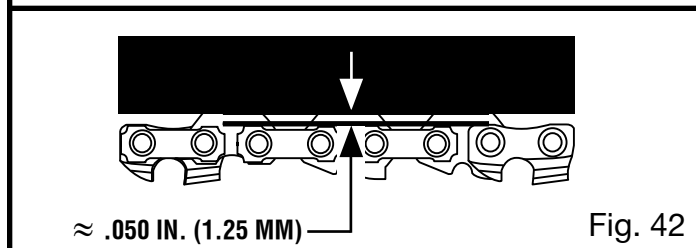


Fig. 42

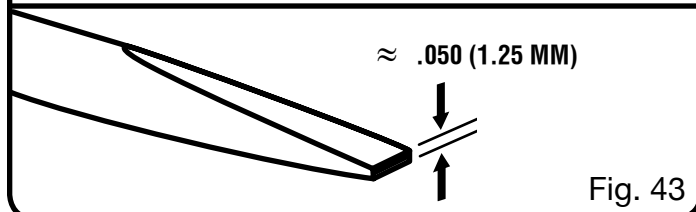


Fig. 43

# MAINTENANCE

as a guide to help determine the correct warm chain tension.

**NOTE:** New chains tend to stretch; check the chain tension frequently and tension as required.

## **NOTICE:**

A chain tensioned while warm may be too tight upon cooling. Check the “cold tension” before next use.

## **CHAIN MAINTENANCE**

See Figures 44 - 45.

## **CAUTION:**

Stop the engine and disconnect the spark plug wire before you work on the saw to avoid accidental starting and possible serious personal injury.

Use only a low-kickback chain on this saw. This chain provides kickback reduction when properly maintained.

For smooth and fast cutting, maintain the chain properly.

The chain requires sharpening when the wood chips are small and powdery, the chain must be forced through the wood during cutting, or the chain cuts to one side. During maintenance of the chain, consider the following:

- Improper filing angle of the side plate can increase the risk of severe kickback.
- Depth gauge clearance.
  - Too low increases the potential for kickback.
  - Not low enough decreases cutting ability.

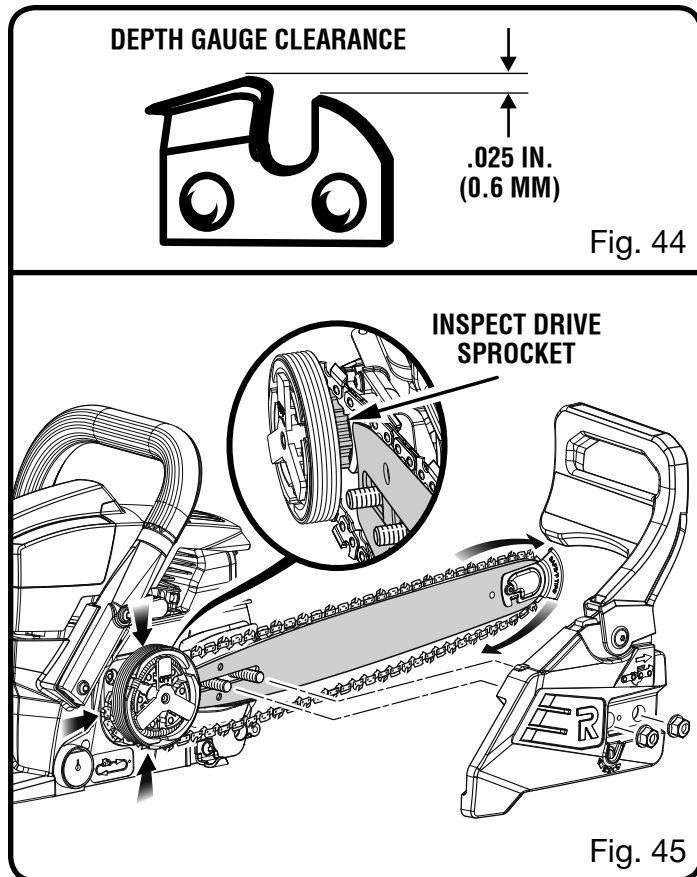


Fig. 44

Fig. 45

- If the cutter teeth hit hard objects such as nails and stones, or are abraded by mud or sand on the wood, have a qualified service center sharpen the chain.

**NOTE:** Inspect the drive sprocket for wear or damage when replacing the chain. If signs of wear or damage are present in the areas indicated, have the drive sprocket replaced by a qualified service center.

**NOTE:** If you do not fully understand the correct procedure for sharpening the chain after reading the instructions that follow, have the saw chain sharpened by a qualified service center or replace with a recommended low-kickback chain.

# MAINTENANCE

## SHARPENING THE CUTTERS

See Figures 46 - 49.

Be careful to file all cutters to the specified angles and to the same length, as fast cutting can only be obtained when all cutters are uniform.

### **⚠ WARNING:**

The saw chain is very sharp. Always wear protective gloves when performing maintenance to the chain to prevent serious personal injury.

- Tension the chain prior to sharpening. Refer to **Adjusting The Chain Tension**.
- Use a 5/32 in. diameter round file and holder. Do all of your filing at the midpoint of the bar.
- Keep the file level with the top plate of the tooth. Do not let the file dip or rock.
- Using light but firm pressure. Stroke towards the front corner of the tooth.
- Lift the file away from the steel on each return stroke.
- Put a few firm strokes on every tooth. File all left hand cutters in one direction. Then move to the other side and file the right hand cutters in the opposite direction.
- Remove filings from the file with a wire brush.

### **NOTICE:**

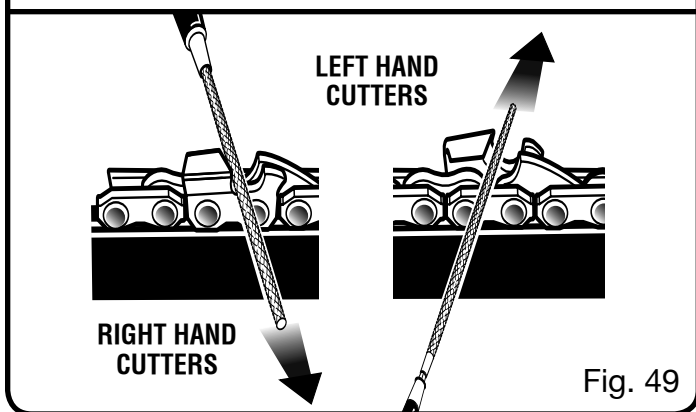
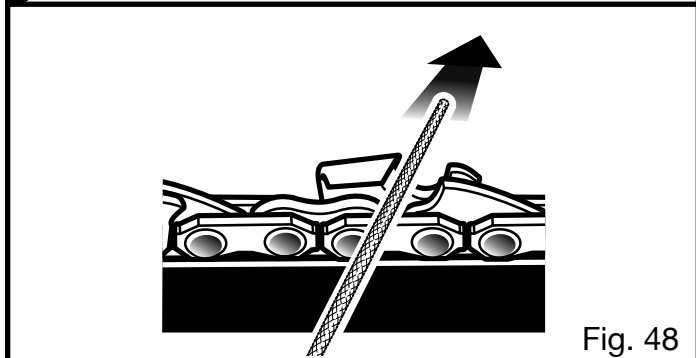
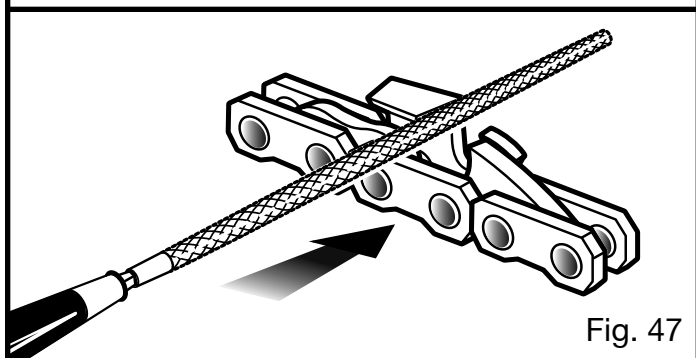
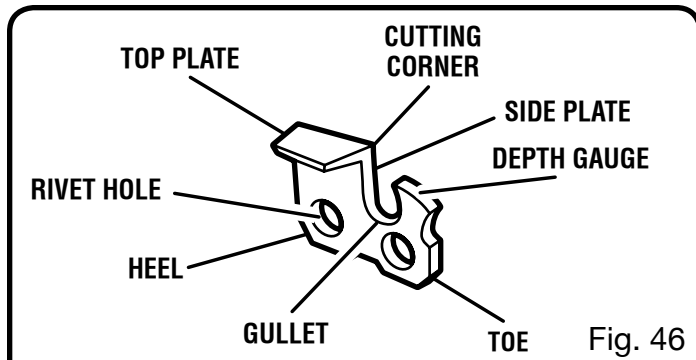
A dull or improperly sharpened chain can cause excessive engine speed during cutting, which may result in severe engine damage.

### **⚠ WARNING:**

Improper chain sharpening increases the potential of kickback, which can result in serious personal injury.

### **⚠ WARNING:**

Failure to replace or repair a damaged chain can cause serious injury.



# MAINTENANCE

## TOP PLATE FILING ANGLE

See Figure 50.

- **CORRECT 30°** – file holders are marked with guide marks to align file properly to produce correct top plate angle.

## SIDE PLATE ANGLE

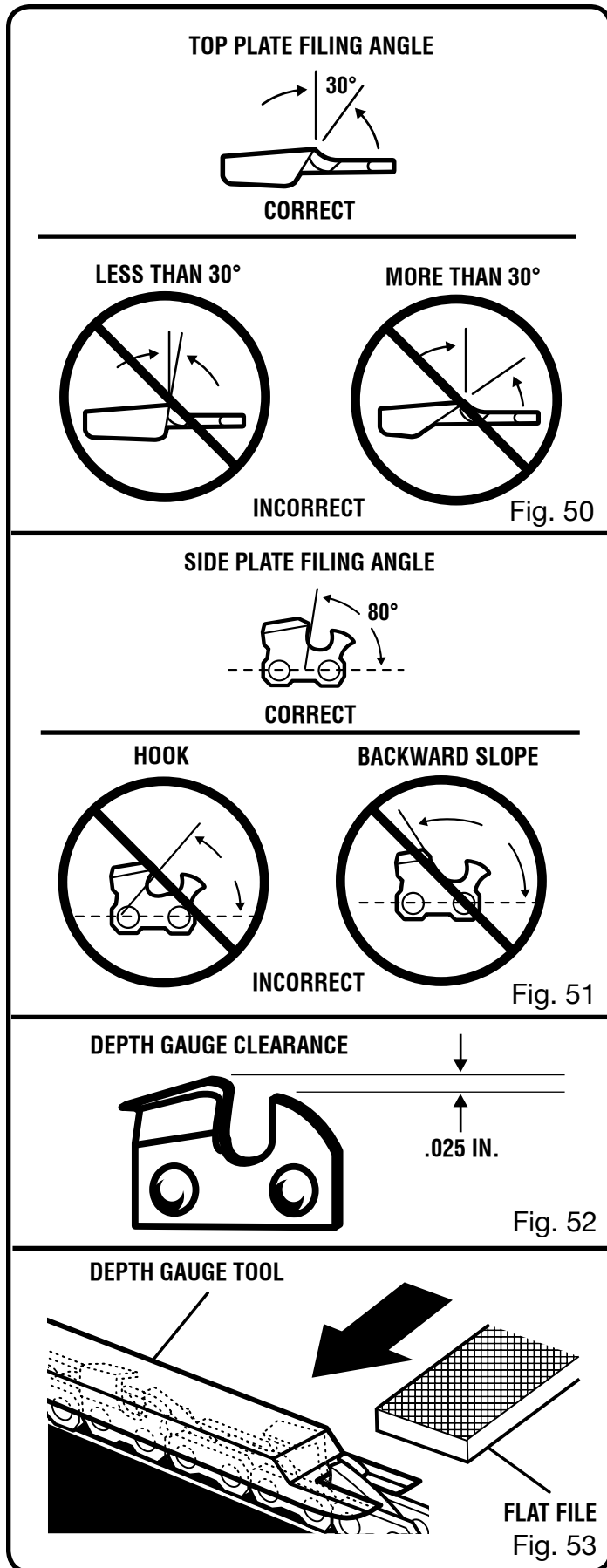
See Figure 51.

- **CORRECT 80°** – Produced automatically if you use the correct diameter file in the file holder.
- **HOOK** – “Grabs” and dulls quickly; increases the potential of KICKBACK. Results from using a file with a diameter too small or a file held too low.
- **BACKWARD SLOPE** – Needs too much feed pressure; causes excessive wear to the bar and chain. Results from using a file with a diameter too large or file held too high.

## MAINTAINING DEPTH GAUGE CLEARANCE

See Figures 52 - 54.

- Maintain the depth gauge at a clearance of .025 in. Use a depth gauge tool for checking the depth gauge clearances.
- Every time the chain is filed, check the depth gauge clearance.
- Use a flat file and a depth gauge tool to lower all gauges uniformly. Use a .025 in. depth gauge tool. After lowering each depth gauge, restore original shape by rounding the front. Be careful not to damage adjoining drive links with the edge of the file.
- Depth gauges must be adjusted with the flat file in the same direction the adjoining cutter was filed with the round file. Use care not to contact cutter face with flat file when adjusting depth gauges.



# MAINTENANCE

## MAINTAINING THE GUIDE BAR

See Figure 55.

### ⚠ CAUTION:

Make sure the chain has stopped before you do any work on the saw.

Proper maintenance will maximize the useful life of the guide bar.

#### Each day of use:

Clean the bar and check for wear and damage. Feathering or burring of the bar rails is a normal process of bar wear, but such faults should be smoothed with a file as soon as they occur.

#### Each week of use:

- Reverse the guide bar on the saw to distribute the wear.
- Lubricate the sprocket at the end of the guide bar using a grease gun in the sprocket lubrication hole.
- Turn the guide bar and check that the lubrication holes and chain groove are free from impurities.

**A bar with any of the following faults should be replaced immediately:**

- Wear inside the bar rails that permits the chain to lay over sideways
- Bent guide bar
- Cracked or broken rails
- Spread rails

## MOUNTING THE SAFE-T-TIP NOSE GUARD

See Figures 56 - 57.

- Stop the engine and disconnect the spark plug wire.
- Mount the SAFE-T-TIP on the bar nose.
- Fit the locking tab in the recessed slot in the guide bar.
- Tighten the screw with wrench until snug.
- From the snug position, tighten the screw an additional 3/4 of a turn using a wrench.
- Check the security of the SAFE-T-TIP nose guard and its mounting screw before each use of the chain saw.

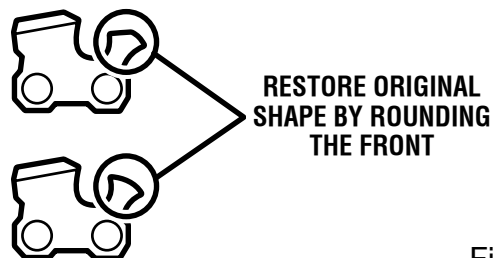


Fig. 54

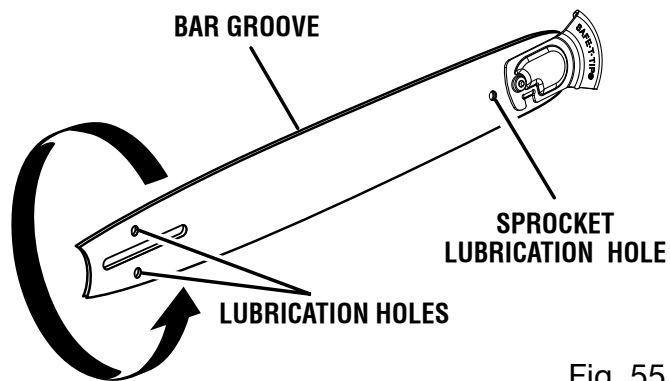


Fig. 55

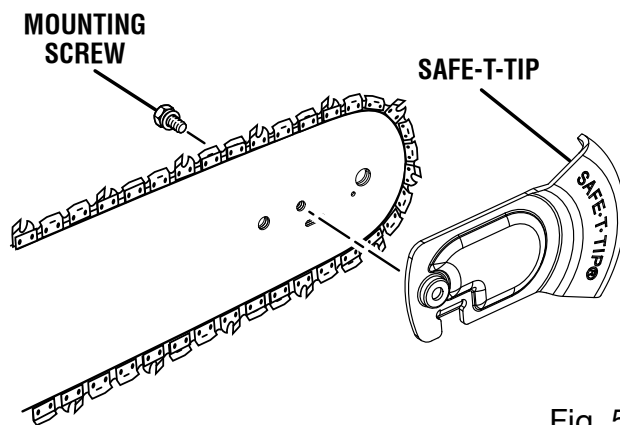


Fig. 56

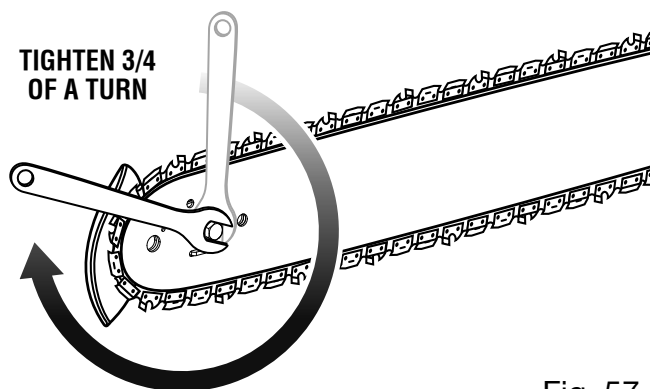


Fig. 57



# MAINTENANCE

## MAINTAINING THE SAFE-T-TIP NOSE GUARD

See Figures 56 - 57.

### ⚠ CAUTION:

Make sure the chain has stopped before you do any work on the saw.

### ⚠ WARNING:

Although the guide bar comes with a SAFE-T-TIP antikickback device already installed, check the tightness of the mounting screw before each use.

Use the following instructions to tighten the mounting screw of the nose guard. These are specially hardened screws. If you cannot install the screw tightly, replace both the screw and the SAFE-T-TIP before further operation.

**NOTE:** Do not replace the screw with an ordinary screw. Use only identical replacement parts from the manufacturer when replacing parts.

In addition to preventing chain contact with solid objects at the nose of the bar, the SAFE-T-TIP also helps keep the chain away from abrasive surfaces, such as the ground. Keep it on the right hand side of the bar where it will be between the chain and the ground during flush-with-ground cutting.

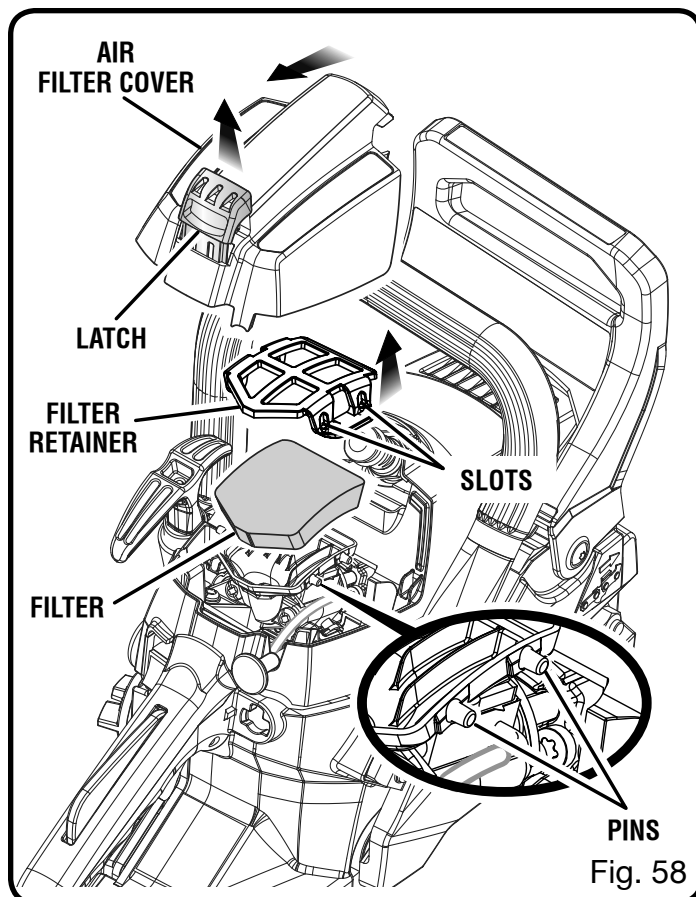
The mounting screw requires a 5/16 in. wrench (or adjustable wrench) to achieve the recommended torque of 35 to 45 in.lb. A torque within this range can be achieved by using the following method.

- Tighten the screw with wrench until snug.
- From the snug position, tighten the screw an additional 3/4 of a turn using a wrench.

## CLEANING THE AIR FILTER

See Figure 58.

- Activate chain brake.
- Lift the latch to release the air filter cover.
- Slide the cover out and then lift to remove from the saw.
- Remove the air filter retainer by lifting the handle on the right side just enough to release the pins from the slots, then raise the retainer to remove.



- Remove the air filter.
- Wash the filter with soap and water.
- Rinse thoroughly. Squeeze to remove excess water and allow to dry.
- Reinstall the air filter.
- Reinstall the air filter retainer making sure it is securely attached over all four pins.

### NOTICE:

Make sure the air filter is correctly placed in the air filter retainer before reassembly. Never run the engine without the air filter, as this may cause serious damage to the chain saw.

- Reinstall the air filter cover by placing the cover on the base and sliding back into position.
- Press down on the latch to secure.

**NOTE:** Make sure the cover is aligned correctly before pressing latch into the locked position.

# MAINTENANCE

## ADJUSTING THE CARBURETOR

See Figures 59 - 60.

### **⚠ WARNING:**

The chain will move around the guide bar when adjusting the idle speed. Wear all protective clothing and keep all bystanders, children, and pets at least 50 ft. away. Make adjustments with the unit supported on a stable surface so that the chain/guide bar does not contact the ground or any object. Keep all parts of your body away from the chain/guide bar and muffler. Failure to follow these instructions could result in serious personal injury.

### **Before adjusting the carburetor:**

- Use a brush or compressed air to clean the starter cover vents.
- Clean the air filter. Refer to **Cleaning the Air Filter** in the *Maintenance* section of this manual.
- Allow the engine to warm up prior to adjustment of engine idle speed.

### **⚠ WARNING:**

Weather conditions and altitude may affect carburetion. Do not allow bystanders close to the chain saw while adjusting the carburetor.

**Idle Speed Adjustment** — The idle speed adjustment controls how much the throttle valve stays open when the throttle trigger is released. To adjust:

- Turn idle speed screw “T” clockwise to increase idle speed.
- Turn idle speed screw “T” counterclockwise to decrease idle speed.

### **⚠ WARNING:**

THE SAW CHAIN SHOULD NEVER TURN AT IDLE. Serious personal injury may result from the saw chain turning at idle.

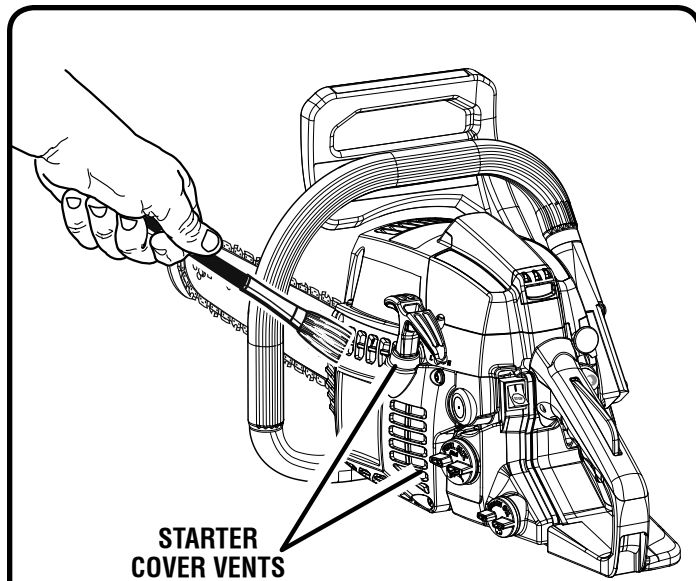


Fig. 59

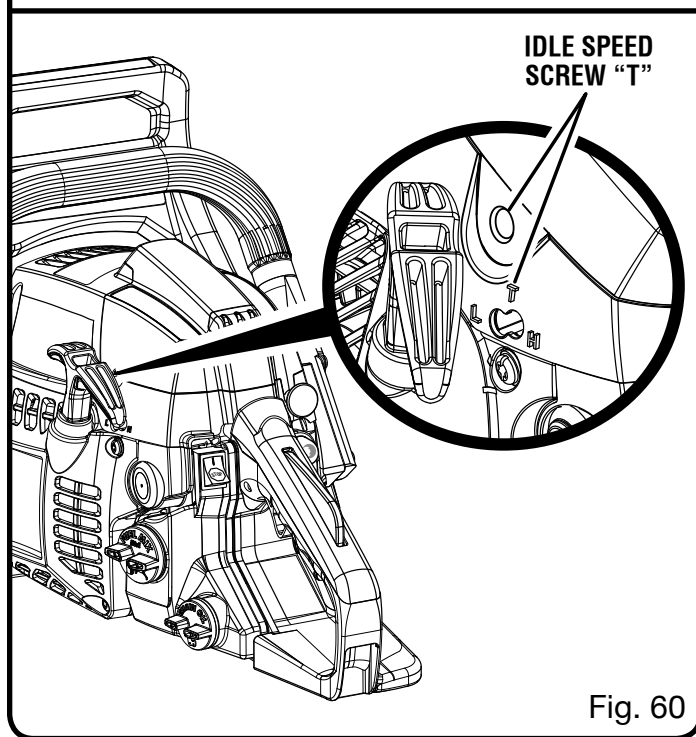


Fig. 60

# MAINTENANCE

## CLEANING THE STARTER ASSEMBLY

See Figure 61.

Use a brush or compressed air to keep the cooling vents of the starter assembly free and clean of debris.

## CLEANING THE ENGINE

See Figures 62 - 63.

Clean the cylinder fins and flywheel fins with compressed air periodically. Dangerous overheating of the engine may occur due to impurities on the cylinder.

### **⚠ WARNING:**

Never run the saw without all the parts, including the clutch cover and starter housing, securely in place. Operating the saw without all parts securely in place can result in death or serious personal injury.

Because parts can fracture and pose a danger of thrown objects, leave repairs of the flywheel and clutch to factory trained qualified service center personnel.

**NOTE:** If you notice a power loss with the gas-powered tool, the exhaust port and muffler may be blocked with carbon deposits. These deposits may need to be removed to restore performance.

## CHECKING THE FUEL FILTER

See Figure 64.

Check the fuel filter periodically. Replace it if contaminated or damaged.

## REPLACING THE SPARK PLUG

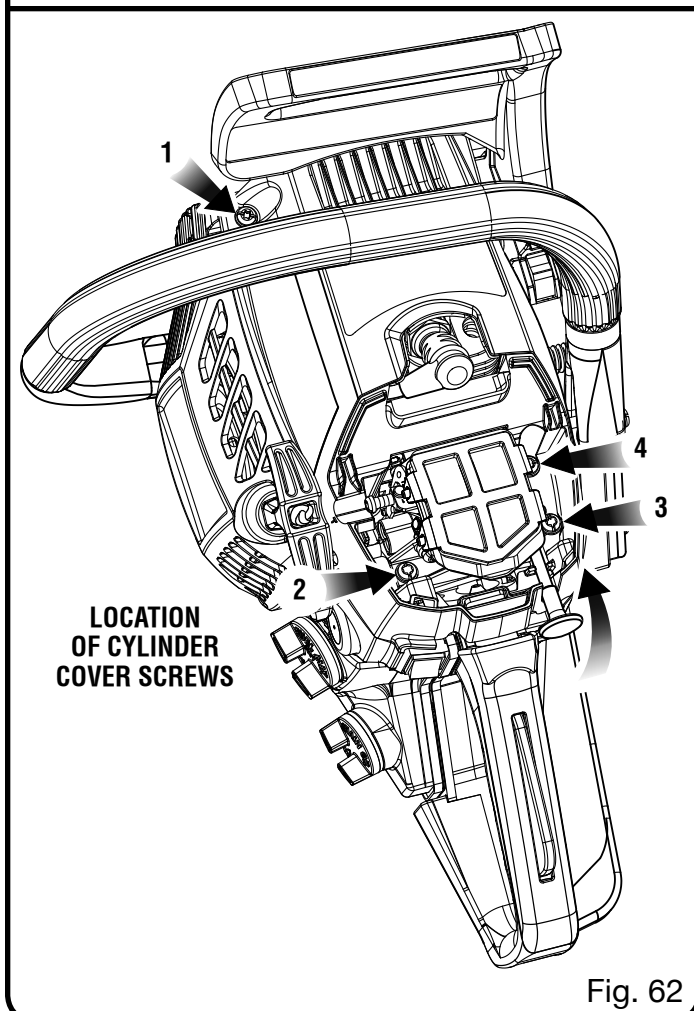
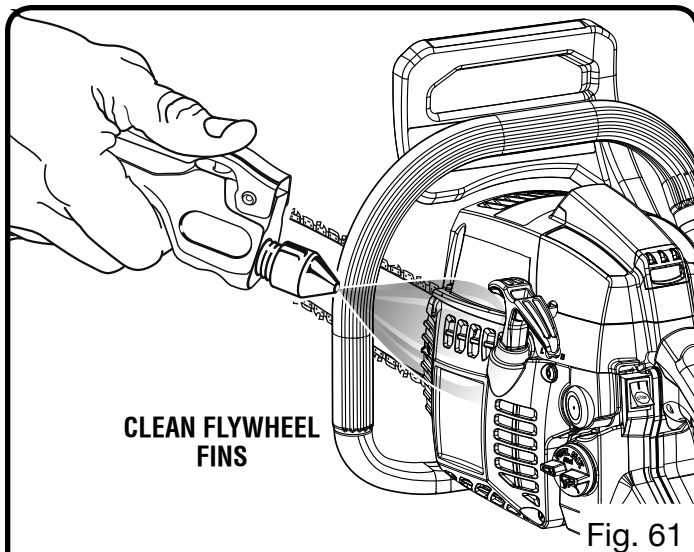
See Figure 65.

This engine uses a Bosch WSR6F or Torch L7RTC spark plug with .025 in. (0,64 mm) electrode gap. Use an exact replacement and replace every 50 hours or more frequently, if necessary.

### **NOTICE:**

Allow engine to cool before removing spark plug. Removing spark plug from a hot engine can cause serious damage to the chain saw.

- Remove the air filter cover as described in **Cleaning the Air Filter** earlier in this manual.



- Loosen the spark plug by turning it counter-clockwise with a wrench.
- Remove the spark plug.
- Hand thread the new spark plug, turning it clockwise. Tighten securely with wrench.

# MAINTENANCE

**NOTE:** Be careful not to cross-thread the spark plug. Cross-threading will damage the cylinder.

## CLEANING THE EXHAUST PORT, REPLACING MUFFLER AND SPARK ARRESTOR

### **NOTICE:**

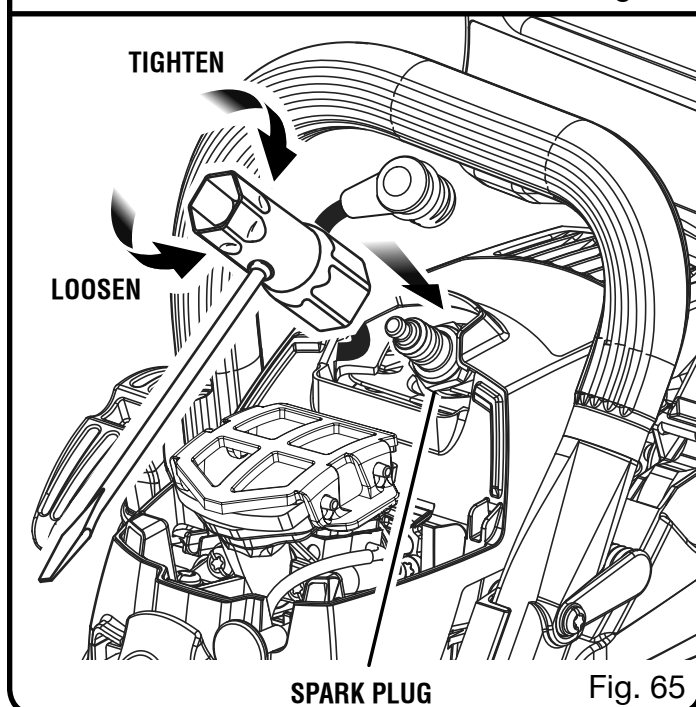
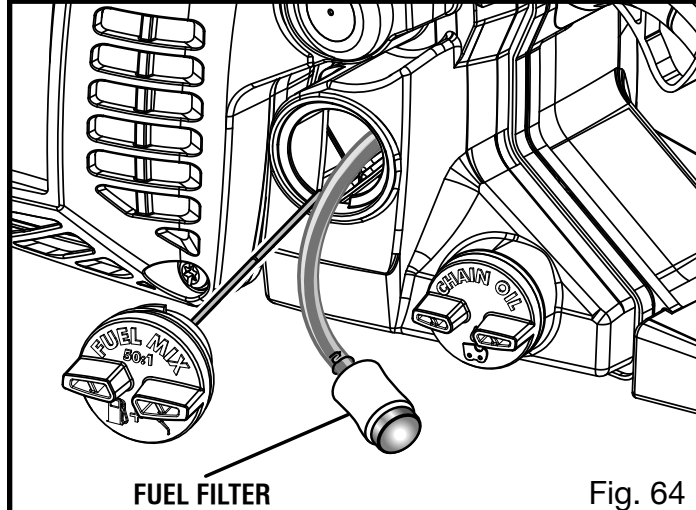
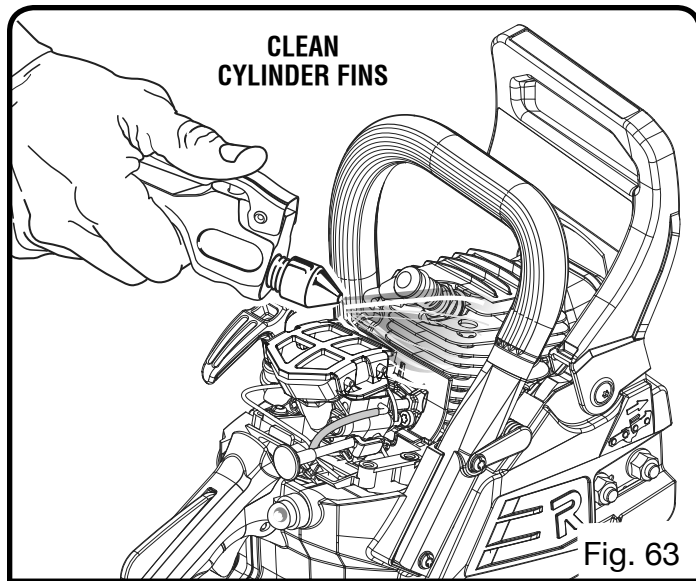
This product is equipped with a spark arrestor that has been evaluated by the USDA Forest Service; however, product users must comply with Federal, State, and local fire prevention regulations. Check with appropriate authorities. Contact customer service or a qualified service center to purchase a replacement spark arrestor.

**NOTE:** Depending on the type of fuel used, the type and amount of lubricant used, and/or your operating conditions, the exhaust port, muffler, and/or spark arrestor screen may become blocked with carbon deposits. If you notice a power loss with your gas powered tool, you may need to remove these deposits to restore performance. We highly recommend that only qualified service technicians perform this service.

The spark arrestor must be replaced every 50 hours to ensure proper performance of your product. Spark arrestors may be in different locations depending on the model purchased. Please contact your nearest service dealer for the location of the spark arrestor for your model.

### **⚠ WARNING:**

Never run the chain saw without a muffler equipped with a spark arrestor in place. Failure to do so could result in a fire that could cause serious personal injury.



# MAINTENANCE

## INSPECTING AND CLEANING CHAIN BRAKE

See Figures 66 - 67.

- Remove the clutch cover and clean the chain brake components. Check wear on the brake band and replace if worn or deformed. The band thickness should not be less than 0.024 in., or worn halfway through.
- Always keep the chain brake mechanism clean and lightly lubricate the linkage.
- Always test the chain brake performance after servicing or cleaning. Refer to **Operating Chain Brake** for additional information.
- Check the chain catcher and replace if damaged.

### **⚠ WARNING:**

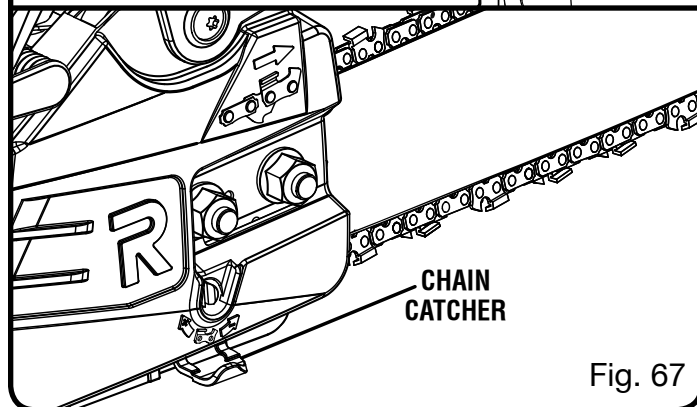
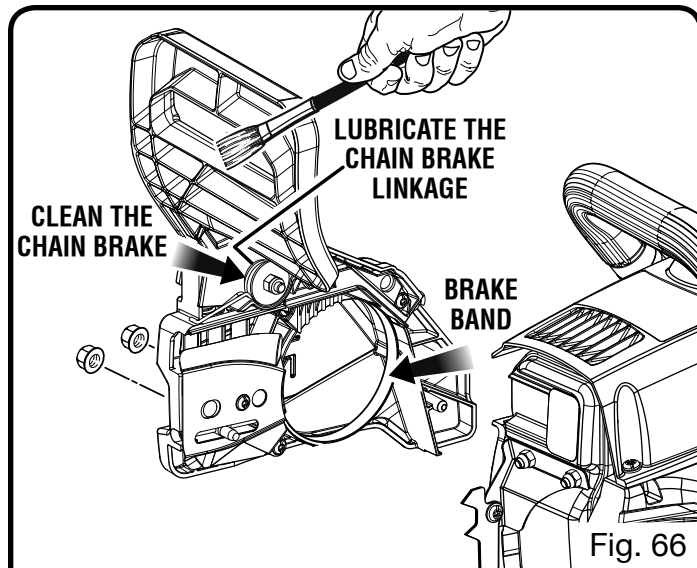
Even with daily cleaning of the mechanism, the dependability of a chain brake to perform under field conditions cannot be certified. Keep the SAFE-T-TIP nose guard on the saw's guide bar and use proper cutting techniques.

## STORING THE CHAIN SAW (1 MONTH OR LONGER)

- Drain all fuel from tank into a container approved for gasoline.
- Run the engine until it stops. This will remove all fuel-lubricant mix that could become stale and leave varnish and gum in the fuel system.
- Squeeze primer bulb several times to purge fuel from carburetor.
- Drain all bar and chain lubricant from tank into a container approved for lubricant.
- Clean all foreign material from the saw.
- Store it in a well-ventilated place that is inaccessible to children.

**NOTE:** Keep away from corrosive agents such as garden chemicals and de-icing salts.

Abide by all federal and local regulations for the safe storage and handling of gasoline. Excess fuel should be used in other 2-cycle engine powered equipment.



## HIGH ALTITUDE ENGINE OPERATION

Your engine is configured for operation below 2000 feet altitude at the factory. Your engine must be reconfigured for operation above 2000 feet altitude. Operating the engine with the wrong engine configuration at a given altitude may increase its emissions, decrease fuel efficiency, degrade performance, and cause irreversible damage. Engines configured for high altitude operation cannot be operated in standard altitude conditions. A qualified service center should ensure that your engine is properly configured for your location.

# MAINTENANCE

## MAINTENANCE SCHEDULE

Maintenance Part	Inspect for Damage Before Each Use	Clean Every 5 Hours	Replace Every 25 Hours or Yearly	Replace Every 50 Hours
*CATALYTIC MUFFLER ASSEMBLY .....				X
SPARK SCREEN .....				X
*AIR FILTER ASSY				
includes:				
Filter.....		X		
*CARBURETOR ASSY				
includes:				
Gaskets .....	X			
*FUEL TANK ASSY				
includes:				
Fuel Lines .....		X		
Fuel Cap .....		X		
Fuel Filter.....			X	
*IGNITION ASSY				
includes:				
Spark Plug.....			X	
* <b>NOTICE:</b> THE USE OF EMISSION CONTROL COMPONENTS OTHER THAN THOSE DESIGNED FOR THIS UNIT IS A VIOLATION OF FEDERAL LAW.				

## BAR AND CHAIN COMBINATIONS

Chain specifications: 3/8 in. pitch, .050 in. chain gauge, low-profile skip tooth

<b>Length of Bar</b>	<b>Guide Bar Part Number</b>	<b>Chain Part Number</b>	<b>Drive Links</b>
18 in.	312655001	POWERCARE Y62	62

# TROUBLESHOOTING

Problem	Possible Cause	Solution
Engine will not start.	No spark.	Check spark. Remove air filter cover. Remove spark plug from cylinder. Reattach the spark plug wire and lay spark plug on top of cylinder with the metal part of plug touching the cylinder. Pull the starter grip and watch for spark at spark plug tip. If there is no spark, repeat test with a new spark plug.
	Engine is flooded.	Remove spark plug. Move choke knob to RUN position (pushed in completely) and pull starter grip 15 to 20 times. This will clear excess fuel from engine. Clean and reinstall spark plug. Push and fully release primer bulb 10 times. Pull starter three times with choke knob at RUN. If engine does not start, move choke knob to HALF CHOKE and repeat normal starting procedure. If engine still fails to start, repeat procedure with a new spark plug.
Engine starts but will not accelerate properly.	Carburetor requires “L” (Low Jet) adjustment.	Contact a qualified service center for carburetor adjustment.
Engine starts, then dies.	Carburetor requires “L” (Low Jet) adjustment.	Contact a qualified service center for carburetor adjustment.
Engine starts but will not run properly at high speed.	Carburetor requires “H” (High Jet) adjustment.	Contact a qualified service center for carburetor adjustment.
Engine does not reach full speed and/or emits excessive smoke.	Lubricant/fuel mixture incorrect.	Use fresh fuel and the correct 2-cycle lubricant mix ratio.
	Air filter is dirty.	Clean air filter. Refer to <b>Cleaning the Air Filter</b> in the <i>Maintenance</i> section of this manual.
	Carburetor requires “H” (High Jet) adjustment.	Contact a qualified service center for carburetor adjustment.
Engine starts, runs, and accelerates but will not idle.	Carburetor requires adjustment to idle speed.	Turn idle speed screw “T” clockwise to increase idle speed. Refer to <b>Adjusting the Carburetor</b> in the <i>Maintenance</i> section of this manual.

# TROUBLESHOOTING

Problem	Possible Cause	Solution
Chain turns at idle.	<p>Carburetor requires adjustment to idle speed.</p> <p>Air leak in the intake system.</p>	<p>Turn idle speed screw “T” counterclockwise to decrease speed. Refer to <b>Adjusting the Carburetor</b> in the <i>Maintenance</i> section of this manual.</p> <p>Contact a qualified service center for a rebuild kit.</p>
Bar and chain running hot and smoking.	<p>Chain oil tank empty.</p> <p>Chain tension is too tight.</p> <p>Oiler is not functioning.</p> <p>Clogged lubricant passages.</p>	<p>Oil tank should be filled every time fuel tank is filled.</p> <p>Tension chain per instructions in <b>Adjusting the Chain Tension</b> in the <i>Maintenance</i> section of this manual.</p> <p>Run at half throttle 30 to 45 seconds. Stop saw and check for oil dripping from SAFE-T-TIP and guide bar. If lubricant is present, the chain may be dull or bar may be damaged. If no lubricant is on the SAFE-T-TIP, contact a qualified service center.</p> <p>Remove the clutch cover and guide bar plate and clean lubricant passages with a stiff-bristle brush.</p>
Engine starts and runs, but chain is not rotating.	<p>Chain brake is engaged.</p> <p>Chain tension is too tight.</p> <p>Guide bar and chain assembled incorrectly.</p> <p>Guide bar and/or chain are damaged.</p> <p>Drive sprocket teeth damaged</p>	<p>Release chain brake. Refer to <b>Operating the Chain Brake</b> in the <i>Operation</i> section of this manual.</p> <p>Tension chain per instructions in <b>Adjusting the Chain Tension</b> in the <i>Maintenance</i> section of this manual.</p> <p>Refer to <b>Replacing the Guide Bar and Chain</b> in the <i>Maintenance</i> section of this manual</p> <p>Inspect guide bar and chain for damage.</p> <p>Contact a qualified service center for drive sprocket replacement.</p>

If problem persists after trying the above solutions, contact customer service or a qualified service center for assistance.

## **NOTICE:**

As the equipment owner, you are responsible for the performance of the required maintenance listed in the *Maintenance* section. It is recommended that you retain all receipts covering maintenance on your equipment. Neglecting or failing to perform the required maintenance may increase emissions, decrease fuel efficiency, degrade performance, cause irreversible engine damage and/or void your warranty.



# WARRANTY

## LIMITED WARRANTY STATEMENT

Techtronic Industries North America, Inc., warrants to the original retail purchaser that this RYOBI® brand outdoor product is free from defect in material and workmanship and agrees to repair or replace, at Techtronic Industries North America, Inc.'s, discretion, any defective product free of charge within these time periods from the date of purchase.

- Three years if the product is used for personal, family or household use;
- 30 days, if used for any other purpose, such as commercial or rental.

This warranty extends to the original retail purchaser only and commences on the date of the original retail purchase.

Any part of this product found in the reasonable judgment of Techtronic Industries North America, Inc. to be defective in material or workmanship will be repaired or replaced without charge for parts and labor by an authorized service center for RYOBI® brand outdoor products (Authorized Ryobi Service Center).

The product, including any defective part, must be returned to an authorized Ryobi service center within the warranty period. The expense of delivering the product to the service center for warranty work and the expense of returning it back to the owner after repair or replacement will be paid by the owner. Techtronic Industries North America, Inc.'s, responsibility in respect to claims is limited to making the required repairs or replacements and no claim of breach of warranty shall be cause for cancellation or rescission of the contract of sale of any RYOBI® brand outdoor product. Proof of purchase will be required by the dealer to substantiate any warranty claim. All warranty work must be performed by an authorized service dealer.

This warranty is limited to thirty (30) days from the date of original retail purchase for any RYOBI® brand outdoor product that is used for rental or commercial purposes, or any other income-producing purpose.

This warranty does not cover any product that has been subject to misuse, neglect, negligence, or accident, or that has been operated in any way contrary to the operating instructions as specified in this operator's manual. This warranty does not apply to any damage to the product that is the result of improper maintenance or to any product that has been altered or modified. The warranty does not extend to repairs made necessary by normal wear or by the use of parts or accessories which are either incompatible with the RYOBI® brand outdoor product or adversely affect its operation, performance, or durability. In addition, this warranty does not cover:

- A. Wear items – Bump Knobs, Outer Spools, Cutting Strings, Inner Reels, Starter Ropes, Drive Belts, Tines, Felt Washers, Hitch Pins, Mulching Blades, Blower Fans, Blower and Vacuum Tubes, Vacuum Bag and Straps, Guide Bars, Saw Chains
- B. Maintenance items as described in the Maintenance Schedule provided in your operator's manual

Techtronic Industries North America, Inc., reserves the right to change or improve the design of any RYOBI® brand outdoor product without assuming any obligation to modify any product previously manufactured.

ALL IMPLIED WARRANTIES ARE LIMITED IN DURATION TO THE STATED WARRANTY PERIOD. ACCORDINGLY, ANY SUCH IMPLIED WARRANTIES INCLUDING MERCHANTABILITY, FITNESS FOR A PARTICULAR PURPOSE, OR OTHERWISE, ARE DISCLAIMED IN THEIR ENTIRETY AFTER THE EXPIRATION OF THE APPROPRIATE THREE-YEAR OR THIRTY-DAY WARRANTY PERIOD. TECHTRONIC INDUSTRIES NORTH AMERICA, INC.'S, OBLIGATION UNDER THIS WARRANTY IS STRICTLY AND EXCLUSIVELY LIMITED TO THE REPAIR OR REPLACEMENT OF DEFECTIVE PARTS AND TECHTRONIC INDUSTRIES NORTH AMERICA, INC., DOES NOT ASSUME OR AUTHORIZE ANYONE TO ASSUME FOR THEM ANY OTHER OBLIGATION. SOME STATES DO NOT ALLOW LIMITATIONS ON HOW LONG AN IMPLIED WARRANTY LASTS, SO THE ABOVE LIMITATION MAY NOT APPLY TO YOU. TECHTRONIC INDUSTRIES NORTH AMERICA, INC., ASSUMES NO RESPONSIBILITY FOR INCIDENTAL, CONSEQUENTIAL, OR OTHER DAMAGES INCLUDING, BUT NOT LIMITED TO, EXPENSE OF RETURNING THE PRODUCT TO AN AUTHORIZED RYOBI SERVICE CENTER AND EXPENSE OF DELIVERING IT BACK TO THE OWNER, MECHANIC'S TRAVEL TIME, TELEPHONE OR TELEGRAM CHARGES, RENTAL OF A LIKE PRODUCT DURING THE TIME WARRANTY SERVICE IS BEING PERFORMED, TRAVEL, LOSS OR DAMAGE TO PERSONAL PROPERTY, LOSS OF REVENUE, LOSS OF USE OF THE PRODUCT, LOSS OF TIME, OR INCONVENIENCE. SOME STATES DO NOT ALLOW THE EXCLUSION OR LIMITATION OF INCIDENTAL OR CONSEQUENTIAL DAMAGES, SO THE ABOVE LIMITATION OR EXCLUSION MAY NOT APPLY TO YOU.

This warranty gives you specific legal rights, and you may also have other rights which vary from state to state.

This warranty applies to all RYOBI® brand outdoor products manufactured by or for Techtronic Industries North America, Inc., and sold in the United States and Canada.

To locate your nearest Authorized Ryobi Service Center, dial 1-800-860-4050.

# RÈGLES DE SÉCURITÉ GÉNÉRALES

## **AVERTISSEMENT :**

**Lire et veiller à bien comprendre toutes les instructions.** Le non-respect des instructions ci-dessous peut entraîner un choc électrique, un incendie et des blessures graves.

## LIRE TOUTES LES INSTRUCTIONS

- **Apprendre à connaître l'outil.** Lire attentivement le manuel d'utilisation. Apprendre les applications et les limites de la scie, ainsi que les risques spécifiques relatifs à son utilisation.
- **Un rebond peut se produire lorsque l'extrémité du guide de chaîne touche un objet** ou lorsque le bois se referme sur la lame et la pince dans l'entaille. Dans certains cas, le contact de la pointe de la lame avec un objet peut causer une réaction fulgurante, projetant le guide vers le haut et l'arrière, en direction de l'opérateur. Le pincement de la chaîne sur le haut du guide peut causer une projection violente de la lame en arrière, en direction de l'utilisateur. Ces deux réactions peuvent entraîner la perte de contrôle de la scie, et causer des blessures graves. Ne pas compter exclusivement sur les dispositifs de sécurité intégrés à la scie. L'utilisateur doit prendre un certain nombre de précautions pour éviter les accidents et blessures.
  - Une compréhension élémentaire du rebond peut permettre de réduire ou éliminer l'élément de surprise. Les surprises sont propices aux accidents.
  - Tenir fermement la scie à deux mains lorsque le moteur tourne. Placer la main droite sur la poignée arrière et la main gauche sur la poignée avant, le pouce et les autres doigts solidement refermés sur les deux poignées. Une prise ferme, bras gauche tendu facilite le contrôle de la scie en cas de rebond.
  - S'assurer que l'endroit où la scie est utilisée est dépourvu de tout obstacle. NE PAS laisser l'extrémité du guide entrer en contact avec une bille, une branche, une palissade ou tout autre obstacle risquant d'être heurté pendant le sciage.
  - Couper avec le moteur tournant à haut régime. Toujours couper avec le moteur tournant à sa vitesse maximum. Serrer la gâchette d'accélérateur à fond et maintenir une vitesse de coupe constante.
  - Ne pas travailler hors de portée ni couper au-dessus de la hauteur de la poitrine.

- Suivre les instructions d'affûtage et d'entretien fournies par le fabricant de la scie à chaîne.
- Utiliser exclusivement les guides et chaînes spécifiés par le fabricant ou leur équivalent.
- **Ne pas utiliser la scie en la tenant d'une seule main.** Ceci exposerait l'utilisateur, les autres travailleurs et toutes les personnes présentes à des risques de blessures graves. Les scies à chaîne sont conçues pour être utilisées à deux mains.
- **Ne pas utiliser la scie à chaîne en état de fatigue.** La fatigue entraîne le manque de prudence. Ne jamais utiliser cette scie en état de fatigue, si l'on est souffrant ou préoccupé, ou sous l'influence de l'alcool, de drogues ou de médicaments.
- **Restez vigilant** - Regardez ce que vous faites et utilisez votre meilleur jugement lorsque vous utilisez la tondeuse. N'utilisez pas la tondeuse si vous êtes fatigué, contrarié ou sous influence de drogues, d'alcool ou de médicaments. Un moment d'inattention pendant l'utilisation de la tondeuse peut résulter en une blessure grave.
- **Le travail à la scie à chaîne peut être épuisant.** Si vous souffrez d'une maladie qui pourrait s'aggraver ou un handicap qui pourrait vous empêcher de manœuvrer et de contrôler la scie à chaîne de manière sécuritaire, consultez votre médecin avant de l'utiliser.
- **Porter des chaussures de sécurité.** Porter des vêtements ajustés, des gants de protection, une protection oculaire, une protection auditive et un casque.
- **Le port d'un vêtement de protection lourd peut accroître la fatigue chez l'utilisateur et lui occasionner un coup de chaleur.** Par temps chaud et humide, les travaux exigeants devraient être planifiés en début de matinée ou à la fin de la journée, lorsque le temps est plus frais.
- **Ne pas se tenir sur une surface instable,** telle qu'une échelle, un échafaudage, un arbre, etc., lors de l'utilisation de la scie.
- **Manipuler le carburant avec précaution.** Éloigner la scie à chaîne d'au moins 9 m (30 pi) du point de ravitaillement avant de lancer le moteur.
- **Ne laisser personne approcher de la scie pendant le démarrage ou le sciage.** Éloigner les badauds et animaux domestiques de la zone de travail.
- **Ne pas commencer à couper sans avoir déblayé la zone de travail,** se tenir bien campé et avoir prévu une trajectoire pour échapper à l'arbre en train de s'abattre.
- **Garder toutes les parties du corps à l'écart de la scie à chaîne** lorsque le moteur tourne.

# RÈGLES DE SÉCURITÉ GÉNÉRALES

- **Toujours transporter la scie à chaîne avec le moteur arrêté et le frein engagé**, le guide et la chaîne dirigés vers l'arrière et l'échappement à l'opposé du corps. Lors du transport de la scie, utiliser le fourreau de guide approprié.
- **Ne jamais utiliser une scie à chaîne endommagée**, incorrectement réglée ou pas complètement et solidement assemblée. S'assurer que la chaîne s'immobilise lorsque la gâchette d'accélérateur est relâchée.
- **Arrêter le moteur avant de poser la scie**. Ne pas laisser le moteur en marche sans surveillance. Par mesure de sécurité supplémentaire, engager le frein avant de poser la scie.
- **Faire preuve de la plus extrême prudence lors de la coupe de petits buissons et de jeunes arbres**, car les branchettes fines peuvent se prendre dans la chaîne et fouetter l'utilisateur ou le déséquilibrer.
- **Lors de la coupe d'une branche sous tension**, toujours rester vigilant, car la branche risque de fouetter lorsque la tension dans les fibres de bois est relâchée.
- **Garder les poignées sèches**, propres et exemptes d'huile ou de mélange de carburant.
- **Ne pas démarrer ou faire tourner le moteur dans un espace confiné, de bâtiment, à proximité des fenêtres ouverts, autre ou des zones sans ventilation où des vapeurs toxiques de monoxyde de carbone peuvent s'accumuler. Le monoxyde de carbone, un gaz incolore, inodore et extrêmement toxique peut causer une perte de conscience et être mortel.**
- **Ne pas utiliser la scie en se tenant dans un arbre** à moins d'avoir reçu la formation nécessaire.
- **Ne pas travailler en se tenant dans un arbre**, sur une échelle ou un échaffaudage, ce qui est extrêmement dangereux.
- **Tous les entretiens et réparations**, autres que ceux décrits dans le manuel d'utilisation, doivent être confiés à un personnel dûment qualifié et spécialisé dans les réparations des scies à chaîne. (Par exemple, si des outils inadéquats sont utilisés pour enlever le volant-moteur ou le soutenir lors du démontage de l'embrayage, ce volant moteur risque de subir des dommages structurels, causant ultérieurement son éclatement).
- **Toujours garder un extincteur à portée de la main** lors de l'utilisation de scie à chaîne.
- **Utiliser exclusivement les guides et chaînes à faible risque de rebond** spécifiés pour l'outil.
- **Ne pas adapter le bloc-moteur à un guide à archet**, ni l'utiliser pour entraîner des accessoires non spécifiés pour la scie.
- **La scie à moteur à essence (ou électrique) a reçu la classification CSA pour scies de classe 1C (ou 2C)**. Elle est conçue pour être utilisée fréquemment par les propriétaires de maison ou chalet et les campeurs pour des applications d'ordre général, telles que la coupe de bois de chauffage, etc. Elle n'est pas conçue pour un usage prolongé. Les périodes d'utilisation prolongée peuvent entraîner des problèmes circulatoires dans les mains de l'opérateur, causés par les vibrations.
- **Conserver ces instructions**. Les consulter fréquemment et les utiliser pour instruire les autres utilisateurs. Si cet outil est prêté, il doit être accompagné de ces instructions.

# RÈGLES DE SÉCURITÉ PARTICULIÈRES

## AVERTISSEMENT :

Les avertissements, autocollants et instructions contenus dans cette section du manuel concernent la sécurité. Le non-respect de toutes les instructions peut entraîner des blessures graves.

- **Ne pas couper de lianes** ni de broussailles de petite taille [moins de 76 mm (3 po) de diamètre].
- **Les surfaces de l'échappement sont brûlantes pendant et après l'utilisation de la scie**. Garder toutes les parties du corps à l'écart de l'échappement. Tout contact avec l'échappement peut causer des brûlures graves.
- **Toujours maintenir la scie à deux mains lorsque le moteur tourne**. La tenir fermement, les doigts et pouces encerclant les poignées.
- **Ne jamais laisser quiconque n'ayant pas reçu des instructions d'utilisation appropriées utiliser la scie**. Cette règle s'applique aux scies de location aussi bien qu'à celles appartenant à des particuliers.
- **Avant de lancer le moteur**, s'assurer que la chaîne n'est en contact avec aucun objet.
- **Porter des vêtements bien ajustés**. Toujours porter des pantalons longs, des bottes et des gants épais. Ne pas porter de bijoux, shorts, sandales et ne pas travailler pieds nus. Ne pas porter des

# RÈGLES DE SÉCURITÉ PARTICULIÈRES

vêtements amples qui pourraient être happés dans le moteur ou se prendre dans la chaîne ou les broussailles. Porter une combinaison, des jeans, des jambières en matériau résistant aux coupures ou dotés de pièces résistantes aux coupures. Attacher les cheveux longs pour les maintenir au-dessus des épaules.

- **Porter des chaussures de sécurité à semelles antidérapantes et des gants épais** pour assurer une bonne prise et protéger les mains.
- **Porter une protection oculaire certifiée conforme à la norme ANSI Z87.1, ainsi qu'une protection auditive et un casque** lors de l'utilisation de cet outil.
- **Éloigner les badauds et animaux domestiques de la zone de travail.** Ne laisser personne approcher de la scie pendant le démarrage ou le sciage.  
**NOTE :** L'étendue de la zone de travail dépend du type de sciage effectué ainsi que de la taille de l'arbre ou de la pièce à débiter. Par exemple, l'abattage d'un arbre exige une zone de travail plus grande que d'autres travaux de coupe (tronçonnage de branches, etc.).
- **Garder la protection antirebond SAFE-T-TIP correctement installée sur le guide** pour éviter le rebond rotatif.
- **Suivre les instructions d'affûtage et d'entretien fournies** par le fabricant de la scie à chaîne.
- **Ne jamais utiliser une scie à chaîne endommagée, incorrectement réglée ou pas complètement et solidement assemblée.** S'assurer que la chaîne s'immobilise lorsque la gâchette d'accélérateur est relâchée. Si la chaîne continue de tourner lorsque le moteur est au ralenti, il peut être nécessaire de régler le carburateur. Voir **Réglage du carburateur** à la section *Entretien* de ce manuel. Si la chaîne continue de tourner au ralenti après avoir effectué le réglage, la confier à un centre de réparations qualifié et ne plus l'utiliser tant que les réparations n'ont pas été effectuées.
- **Ce produit est conçu pour un usage occasionnel par les particuliers et autres utilisateurs** et pour des applications générales comme le débroussaillage, l'élagage, la coupe de bois, etc. Il n'est pas destiné à un usage intensif. Les périodes d'utilisation prolongée peuvent entraîner

des problèmes circulatoires dans les mains de l'opérateur, causés par les vibrations. Pour une telle utilisation, il peut être préférable d'utiliser un produit muni d'un dispositif antivibrations.

## APPROVISIONNEMENT EN CARBURANT (NE PAS FUMER !)

- **Manipuler le carburant avec précaution pour réduire les risques d'incendies et de brûlures.** Le carburant est extrêmement inflammable.
- **Mélanger et conserver le carburant** dans un bidon ou jerrycan approuvé pour l'essence.
- **Mélanger le carburant à l'extérieur**, loin de toute flamme ou source d'étincelles.
- **Poser l'outil sur un sol nu, couper le moteur et le laisser refroidir** avant de faire le plein.
- **Desserrer lentement le bouchon du réservoir de carburant** pour relâcher la pression et éviter que le carburant ne s'échappe.
- **Une fois le réservoir plein, remettre le bouchon en place et le serrer fermement.**
- **Essuyer tout le carburant éventuellement répandu sur l'outil.** S'éloigner de 9 m (30 pi) du point d'approvisionnement avant de lancer le moteur.
- **N'essayer en aucun cas de brûler** le carburant répandu.




## REBOND

- **Le rebond est une réaction dangereuse pouvant causer des blessures graves.** Ne pas compter exclusivement sur les dispositifs de sécurité fournis avec la scie. L'utilisateur doit prendre un certain nombre de précautions particulières pour éviter les accidents et blessures au cours de son travail. Voir les sections *Règles de sécurité générales et Utilisation* de ce manuel pour des informations supplémentaires concernant le rebond et les moyens d'éviter des blessures graves.
- **ATTENTION :** L'utilisateur ne doit pas utiliser une chaîne de scie de rechange sauf si elle a été conçue pour répondre aux exigences de performance de rebond selon la norme ANSI/OPEI B175.1-2012 pour cet ensemble moteur spécifique ou si elle a été désignée comme chaîne de scie de rechange ayant un faible rebond conforme à la norme ANSI/OPEI B175.1-2012.







**CONSERVER CES INSTRUCTIONS**

# SYMBOLES

Les termes de mise en garde suivants et leur signification ont pour but d'expliquer le degré de risques associé à l'utilisation de ce produit.










SYMBOLE	SIGNAL	SIGNIFICATION
	<b>DANGER :</b>	Indique une situation dangereuse qui, si elle n'est pas évitée, aura pour conséquences des blessures graves ou mortelles.
	<b>AVERTISSEMENT :</b>	Indique une situation dangereuse qui, si elle n'est pas évitée, pourrait entraîner des blessures graves ou mortelles.
	<b>ATTENTION :</b>	Indique une situation dangereuse qui, si elle n'est pas évitée, pourrait entraîner des blessures légères ou de gravité modérée.
	<b>AVIS :</b>	(Sans symbole d'alerte de sécurité) Indique les informations jugées importantes sans toutefois représenter un risque de blessure (ex. : messages concernant les dommages matériels).

Certains des symboles ci-dessous peuvent être utilisés sur l'outil. Veiller à les étudier et à apprendre leur signification. Une interprétation correcte de ces symboles permettra d'utiliser l'outil plus efficacement et de réduire les risques.

SYMBOLE	NOM	DÉSIGNATION / EXPLICATION
	Symbole d'alerte de sécurité	Précautions destinées à assurer la sécurité.
	Lire le manuel d'utilisation	Pour réduire les risques de blessures, l'utilisateur doit lire et veiller à bien comprendre le manuel d'utilisation avant d'utiliser ce produit.
	Protections oculaire, auditive et casque	Porter une protection oculaire avec écrans latéraux certifiée conforme à la norme ANSI Z87.1, ainsi qu'une protection auditive et un casque lors de l'utilisation de cet outil.
	La tenir à l'écart de lignes électriques et ne laisser personne s'approcher	DANGER ! Risque d'électrocution ! Ne pas travailler à moins de 15m (50 pi) de lignes électriques. Pour l'abattage, garder les badauds et animaux domestiques à une distance de 15 m (50 pi) minimum ou au moins deux fois la taille de l'arbre le plus grand se trouvant dans la zone de coupe.
	Protection de nez SAFE-T-TIP	La protection de nez SAFE-T-TIP du guide-chaîne permet d'éviter le rebond.
	Tenir la scie à deux mains	Tenir la scie à deux mains et l'utiliser correctement.

# SYMBOLES

Certains des symboles ci-dessous peuvent être utilisés sur l'outil. Veiller à les étudier et à apprendre leur signification. Une interprétation correcte de ces symboles permettra d'utiliser l'outil plus efficacement et de réduire les risques.

SYMBOLE	NOM	DÉSIGNATION / EXPLICATION
	Une main	Ne pas tenir la scie d'une seule main.
	Contact avec l'extrémité du guide	Éviter tout contact avec l'extrémité du guide. Le contact de l'extrémité peut provoquer un mouvement soudain du guide-chaîne vers l'avant ou vers l'arrière, ce qui peut causer des blessures graves.
	Surface chaude	Pour éviter les risques de blessures ou de dommages, éviter tout contact avec les surfaces brûlantes.
	Rebond	DANGER ! ATTENTION AUX REBONDS.
	Gants	Porter des gants épais antidérapants lors de l'utilisation de la scie à chaîne.
	Chaussures de sécurité	Porter des chaussures de travail à semelle antidérapante lors de l'utilisation de l'outil.
	Ne pas fumer	Ne pas fumer, ne pas approcher de flammes vives ou étincelles.
	Monoxyde de carbone	Les moteurs à combustion produisent du monoxyde de carbone, un gaz toxique inodore et mortel. Ne pas utiliser la scie dans un espace clos.
	Essence et lubrifiant	Utiliser de l'essence sans plomb pour automobiles, présentant un indice d'octane de 87 $([R + M] / 2)$ ou plus. Cet outil utilise un moteur 2 temps qui nécessite un mélange d'essence et de lubrifiant 2 temps.

## **Système de lubrification automatique**

La lubrification est assurée par le système de lubrification automatique. Le système de lubrification est entraîné par le pignon et ne lubrifie l'outil que lorsque la chaîne est en mouvement.

## **Tronçonnage**

Coupe transversale d'un arbre abattu ou d'une bille de bois pour le débiter en tronçons.

## **Frein de chaîne**

Dispositif permettant d'arrêter la scie à chaîne.

## **Bloc moteur de scie à chaîne**

Scie à chaîne sans la chaîne et le guide.

## **Embrayage**

Mécanisme pour connecter et déconnecter un élément entraîné de la source d'entraînement rotatif.

## **Pignon d'entraînement**

Roue dentée entraînant la chaîne.

## **Abattage**

Opération de coupe d'un arbre pour le faire tomber.

## **Entaille d'abattage**

Entaille finale d'une opération d'abattage, pratiquée à l'opposé de l'entaille de dessous.

## **Poignée avant**

Poignée de maintien placée à l'avant de la scie à chaîne. Cette poignée est pour la main gauche.

## **Garde de poignée avant**

Barrière structurelle placée entre la poignée avant et le guide de chaîne de la scie, se trouvant généralement près de la position de la main sur la poignée avant et parfois utilisée comme levier de commande du frein de chaîne.

## **Guide de chaîne**

Structure rigide, dotée d'un rail de support et guidage de la chaîne.

## **Rebond**

Mouvement du guide vers le haut ou vers l'arrière se produisant lorsque la chaîne heurte un objet, tel qu'une bille de bois ou une branche, dans la partie supérieure de l'extrémité du guide, ou lorsque l'entaille se referme et pince la chaîne dans le bois.

## **Rebond (pincement)**

Recul brutal de la scie se produisant lorsque le bois de l'entaille se referme, sur la chaîne en rotation dans la partie supérieure du guide.

## **Rebond (rotatif)**

Mouvement brutal de la scie vers le haut et l'arrière pouvant se produire lorsque la chaîne en rotation heurte un objet, tel qu'une bille de bois ou une branche, dans la partie supérieure de l'extrémité du guide.

## **Chaîne à rebond réduit**

Une chaîne de scie à rebond faible est une chaîne conforme aux exigences de performance de rebond de la norme ANSI/OPEI B175.1-2012 et mise à l'épreuve conformément aux dispositions prévues par la norme ANSI/OPEI B175.1-2012.

## **Position de coupe normale**

Positions utilisées pour le tronçonnage et l'abattage.

## **Sifflet d'abattage**

Entaille permettant de diriger le sens de chute de l'arbre.

## **Poignée arrière**

Poignée de maintien placée à l'arrière de la scie. Elle comporte généralement l'accélérateur. Cette poignée est pour la main droite.

## **Guide de chaîne à rebond réduit**

Guide ayant été prouvé réduire considérablement le rebond.

## **Chaîne de rechange**

Chaîne conforme aux normes antirebond ANSI B175.1 lorsque testée sur certaines scies.

## **Protection antirebond SAFE-T-TIP**

Accessoire pouvant être monté à l'extrémité du guide pour empêcher que la chaîne ne contacte le bois à cet endroit.

## **Chaîne**

Une chaîne en boucle dotée de dents pour la coupe du bois, entraînée par le pignon et supportée par le guide.

## **Fouet**

Arbuste ou branche fléchie ou bloquée sous tension. Cette pièce peut se détendre brusquement lorsqu'elle est coupée, créant une situation dangereuse.

# CARACTÉRISTIQUES

## SPÉCIFICATIONS

Longueur du guide .....45,7 cm (18 po)  
Pas de la chaîne ..... 9,5 mm (3/8 po)  
Épaisseur de la chaîne .....1,27 mm (0,050 po)  
Type de chaîne ... Dents bas profil à saut intégral  
Maillons d'entraînement de la chaîne.....62  
Pignon d'entraînement .....6 dents

Cylindrée .....38 cc  
Régime de ralenti .....2 700 ± 200 r/min (RPM)  
Contenance du  
réservoir de carburant ..... 308 ml (10,4 oz)  
Volume du réservoir  
de lubrifiant de chaîne ..... 210 ml (7,1 oz)

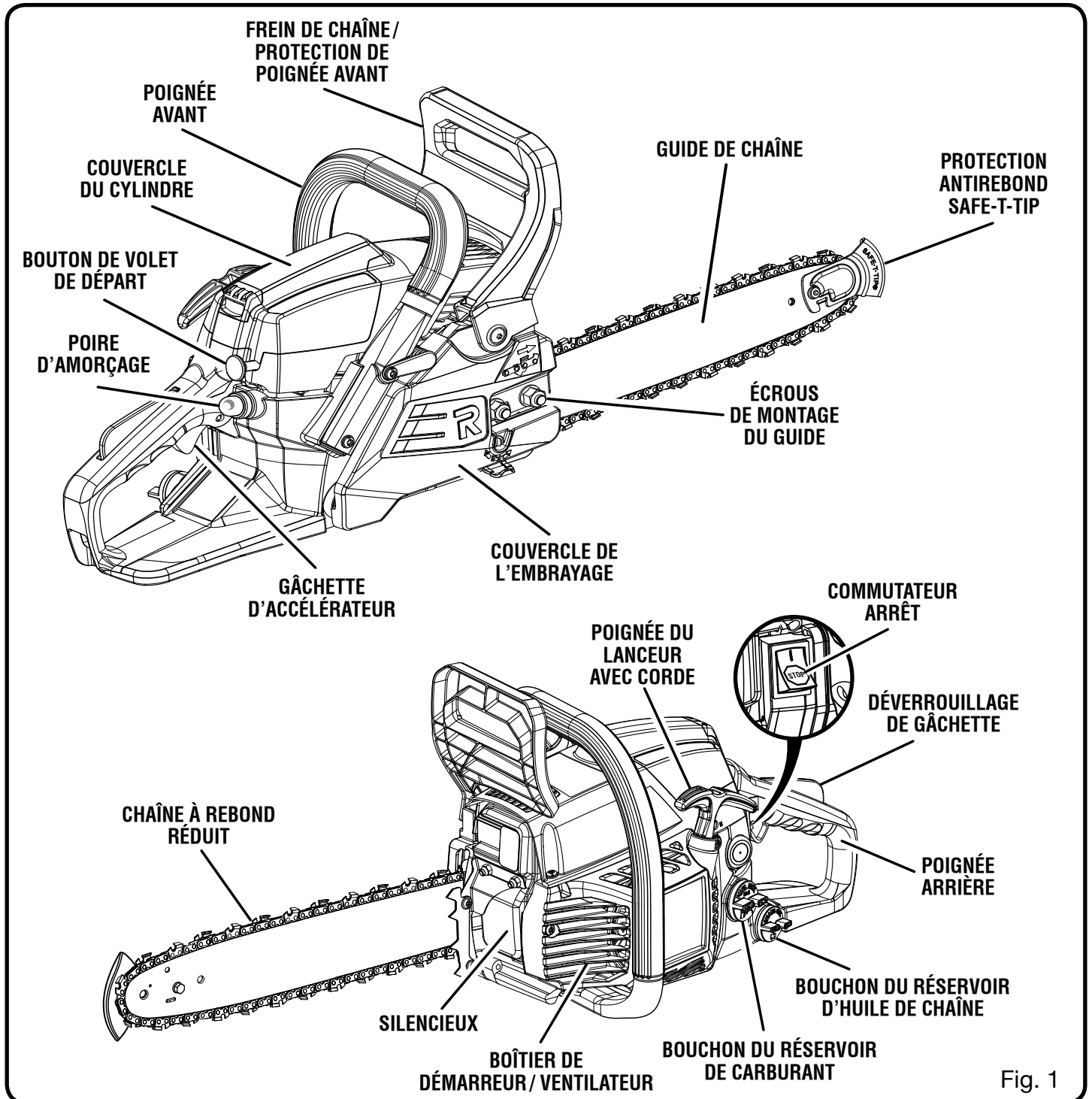


Fig. 1



# CARACTÉRISTIQUES

## POUR SE FAMILIARISER AVEC LA SCIE À CHAÎNE

Voir la figure 1.

La sécurité d'utilisation de ce produit exige la compréhension des informations apposées sur l'outil et contenues dans ce manuel d'utilisation, ainsi que la connaissance du travail à exécuter. Avant d'utiliser ce produit, se familiariser avec toutes ses fonctions et règles de sécurité.

## BOUTON DE VOLET DE DÉPART

Le bouton de volet de départ ouvre et ferme l'étrangleur dans le carburateur. Les positions disponibles comprennent VOLET DE DÉPART OUVERT, DEMI OUVERT et MARCHE.

## CLÉ MIXTE

Une clé mixte est fournie pour l'exécution de différentes procédures d'entretien.

## FREIN DE CHAÎNE / PROTECTION DE POIGNÉE AVANT

Ce frein est conçu pour arrêter rapidement la rotation de la chaîne. Lorsque le levier de frein de chaîne / protection de poignée est poussé vers le guide, la chaîne doit s'immobiliser immédiatement. Le frein de chaîne n'empêche pas le rebond.

## GUIDE

La tête du guide installé en usine est de faible rayon, ce qui offre une moindre tendance au rebond.

## CHAÎNE À REBOND RÉDUIT

La chaîne à rebond réduit aide à limiter la force de réaction du rebond en empêchant les dents de mordre trop profondément dans la zone de rebond.

## POIRE D'AMORÇAGE

La poire d'amorçage pompe le carburant du réservoir de carburant vers le carburateur.

## PROTECTION ANTIREBOND SAFE-T-TIP

La protection antirebond SAFE-T-TIP est un accessoire monté sur l'extrémité du guide, empêchant que la chaîne à cet endroit touche le bois.

## GÂCHETTE D'ACCÉLÉRATEUR

La gâchette d'accélérateur est utilisée pour démarrer la scie à chaîne et contrôler la rotation de chaîne.

# ASSEMBLAGE

## DÉBALLAGE

Ce produit a été expédié complètement assemblé.

- Avec précaution, sortir l'outil et les accessoires de la boîte. S'assurer que toutes les pièces figurant sur la liste de contrôle sont incluses.

### AVERTISSEMENT :

Ne pas utiliser le produit s'il n'est pas complètement assemblé ou si des pièces semblent manquantes ou endommagées. Le fait d'utiliser un produit assemblé de façon inadéquate ou incomplète peut entraîner des blessures graves.

- Examiner soigneusement l'outil pour s'assurer que rien n'a été brisé ou endommagé en cours de transport.

- Ne pas jeter les matériaux d'emballage avant d'avoir soigneusement examiné l'outil et avoir vérifié qu'il fonctionne correctement.
- Si des pièces sont manquantes ou endommagées, appeler le 1-800-860-4050.

## LISTE DE CONTRÔLE D'EXPÉDITION

Scie à chaîne  
Fourreau  
Clé mixte  
Lubrifiant 2 temps  
Manuel d'utilisation  
Coffret de transport

## ASSEMBLAGE

### **AVERTISSEMENT :**

Si des pièces manquent ou sont endommagées, ne pas utiliser ce produit avant qu'elles aient été remplacées. Le fait d'utiliser ce produit même s'il contient des pièces endommagées ou s'il lui manque des pièces peut entraîner des blessures graves. L'utilisation de ce produit même s'il contient des pièces endommagées ou s'il lui manque des pièces peut entraîner des blessures graves.

### **AVERTISSEMENT :**

Ne pas essayer de modifier cet outil ou de créer des accessoires non recommandés pour l'outil. De telles altérations ou modifications sont considérées comme un usage abusif et peuvent créer des conditions dangereuses, risquant d'entraîner des blessures graves.

**NOTE :** Cette scie à chaîne a été soumise à des essais complets en usine. Il est donc normal qu'elle présente des traces d'huile. Lire toutes les étiquettes avant de les retirer et de les ranger avec le manuel d'utilisation.

## UTILISATION

### **DANGER :**

Ne jamais effectuer de coupes près de cerca de lignes, lignes cordon de électriques ou de sources de courant. Si les embouteillages de barre et chaîne sur la cordon électrique ou línea, **NE PAS MANIPULER LA GUIDE OU LA CHAÎNE! ELLE PEUT ÊTRE SOUS TENSION ET DONC, EXTRÊMEMENT DANGEREUSE.** Continuer de tenir scie à chaîne par la poignée arrière isolée ou le poser à l'écart en prenant les précautions nécessaires. Mettre le circuit électrique de la ligne électrique hors tension ou débrancher le cordon endommagé avant d'essayer de débloquer la lame. Le contact avec la barre et chaîne, d'autres parties conductrices du scie à chaîne, ou des cordons ou des fils électriques sous tension entraînerait mortelles, choc électrique, ou des blessures graves.

### **AVERTISSEMENT :**

Ne pas laisser la familiarité avec l'outil faire oublier la prudence. Ne pas oublier qu'une fraction de seconde d'inattention peut entraîner des blessures graves.

### **AVERTISSEMENT :**

Les surfaces du silencieux sont très chaudes pendant et après l'utilisation de la scie à chaîne. Garder toutes les parties du corps à l'écart du silencieux. Un contact avec le silencieux peut causer des brûlures graves.

### **AVERTISSEMENT :**

Toujours porter une protection oculaire avec écrans latéraux certifiée conforme à la norme ANSI Z87.1, avec protection auditive et un casque. Si cette précaution n'est pas prise, des objets peuvent être projetés dans les yeux et causer des lésions graves.

### **AVERTISSEMENT :**

Ne pas utiliser d'outils ou accessoires non recommandés pour cet outil. L'utilisation de pièces et accessoires non recommandés peut entraîner des blessures graves.

# UTILISATION

## **⚠ AVERTISSEMENT :**

Ce produit est équipé d'un pare-étincelles qui a été évalué par le Service forestier des États-Unis; cependant, les utilisateurs du produit doivent respecter les réglementations locales et gouvernementales de lutte contre l'incendie. Consulter les autorités appropriées. Contacter le service à la clientèle ou un centre de réparations qualifié pour acheter un pare-étincelles de rechange.

## **⚠ AVERTISSEMENT :**

Ne jamais abattre un arbre ou couper des bûches ou des branches ayant un diamètre plus grand que le guide-chaîne. Seuls les professionnels bien formés peuvent exécuter ces coupes. L'exécution de ce genre de coupes peut provoquer un accident et occasionner des blessures graves ou mortelles.

## **AVIS :**

Avant chaque utilisation, inspecter au complet le produit afin de s'assurer qu'aucune pièce (vis, écrous, boulons, chapeaux, etc.) n'est endommagée, manquante ou desserrée. Serrer solidement toutes les pièces de fixation et les chapeaux et ne pas utiliser le produit tant que toutes les pièces manquantes ou endommagées n'ont pas été remplacées. Veuillez communiquer avec le service à la clientèle ou un centre de réparations qualifié pour obtenir de l'aide.

## **APPLICATIONS**

Cet outil peut être utilisé pour les applications ci-dessous :

- Ébranchage, abattage et coupe élémentaires

## **CARBURANT ET APPROVISIONNEMENT SÉCURITÉ DE MANIPULATION DU CARBURANT**

### **⚠ AVERTISSEMENT :**

S'assurer de l'absence de fuites de carburant. Un bouchon de carburant, réservoir de carburant ou conduite de mise qui fuit pose un risque d'incendie et doit être remplacé immédiatement. Toutes les fuites doivent être éliminées avant d'utiliser le produit. Ne pas prendre cette précaution peut causer un incendie, entraînant des blessures graves.

- Le carburant étant extrêmement inflammable, il doit toujours être manipulé avec précaution.
- Toujours faire le plein à l'extérieur et ne pas inhaler les vapeurs de carburant.
- Ne pas laisser l'essence ou la lubrifiant entrer en contact avec la peau.
- Garder la lubrifiant et l'essence à l'écart des yeux. En cas d'éclaboussure de lubrifiant ou de carburant dans les yeux, les rincer immédiatement à l'eau claire. Si l'irritation persiste, consulter immédiatement un médecin.
- Nettoyer immédiatement tout carburant répandu.

Pour plus de détails, voir **Approvisionnement en carburant** à la section *Règles de sécurité particulières* de ce manuel.

## **CARBURANTS À BASE D'ÉTHANOL**

### **AVIS :**

**Ne pas utiliser d'essence E15 ou E85 dans ce produit. Une telle utilisation représente une violation de la loi fédérale et endommagera l'appareil et annulera la garantie. Utiliser seulement de l'essence sans plomb ne contenant pas plus de 10 % d'éthanol.**

**NOTE :** Pour améliorer les performances de l'outil lors de l'utilisation de carburants à base d'éthanol, nous vous recommandons le lubrifiant Ethanol Shield 2-temps.

# UTILISATION

## MÉLANGE DU CARBURANT

Cet outil utilise un moteur deux temps qui nécessite le mélange d'essence et de lubrifiant 2 temps. Mélanger de l'essence sans plomb et de le lubrifiant moteur 2 temps dans un jerrycan propre homologué pour l'essence. NE PAS mélanger plus de carburant qu'il ne sera utilisé dans une période de 30 jours.

Carburant recommandé : Cet outil est certifié pour fonctionner avec de l'essence sans plomb pour véhicules automobiles.

**NOTE :** Nous recommandons l'utilisation de lubrifiant Ethanol Shield pour moteur 2 temps, ou une lubrifiant synthétique de première qualité semblable pour moteur 2 temps dans ce produit. Mélanger 76 ml par 3,8 L (2,6 oz par gallon US).

Ne pas utiliser de lubrifiant automobile ou pour moteur hors-bord 2 temps.

### LUBRIFIANT 2 TEMPS DE HAUTE QUALITÉ 50:1



ESSENCE	LUBRIFIANT
1 gallon (US)	2,6 oz
1 litre	20 cc (20 ml)

## REPLISSAGE DU RÉSERVOIR DE CARBURANT

Voir la figure 2.

### ⚠ AVERTISSEMENT :

L'essence et les vapeurs qu'elle dégage sont extrêmement inflammables et explosives. Pour éviter des blessures graves et des dommages matériels, manipuler avec précaution. Garder le produit à l'écart des sources d'inflammation et des flammes vives, l'utiliser uniquement à l'extérieur, ne pas fumer, et essuyer rapidement tout carburant répandu.

- Nettoyer le pourtour du bouchon de remplissage pour éviter la contamination du carburant.
- Desserrer lentement le bouchon du réservoir de carburant.
- Verser soigneusement le mélange de carburant dans le réservoir. Éviter de répandre du carburant.

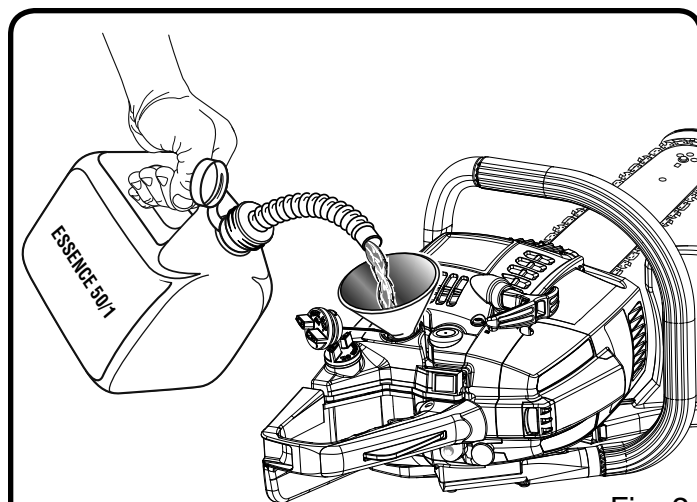


Fig. 2

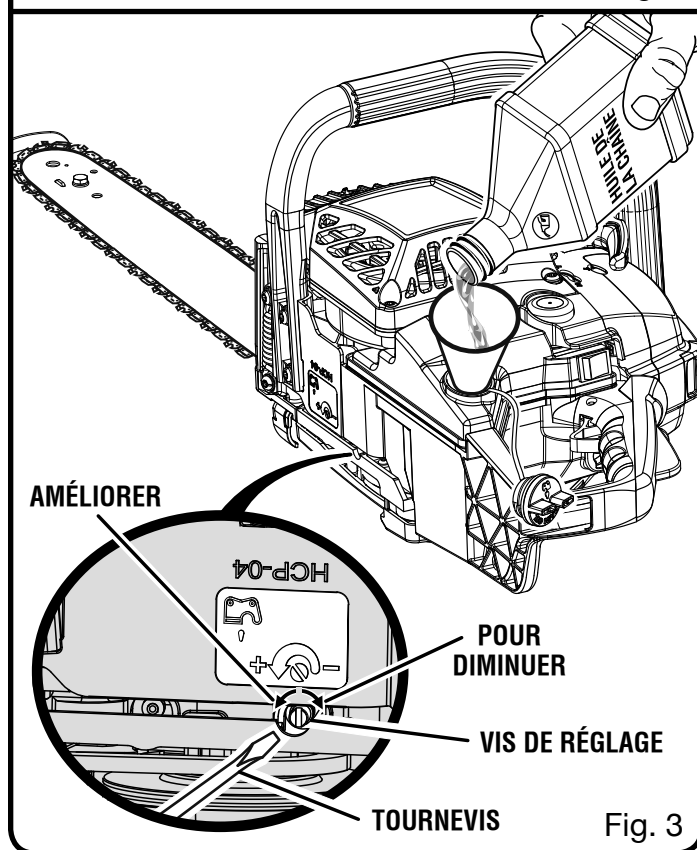


Fig. 3

- Avant de remettre le bouchon en place, nettoyer et inspecter son joint torique.
- Remettre immédiatement le bouchon en place et le serrer à la main. Essuyer tout carburant répandu.

**NOTE :** Il est normal qu'un moteur neuf dégage de la fumée pendant et après la première utilisation.

# UTILISATION

## **⚠ AVERTISSEMENT :**

Toujours arrêter le moteur avant de faire le plein de carburant. Ne jamais retirer le bouchon du réservoir d'essence lorsque le moteur tourne ou est chaud. S'assurer que l'unité repose sur une surface plane, à niveau et de remplir seulement à l'extérieur. Si le moteur est chaud, laisser refroidir l'unité pendant au moins cinq (5) minutes avant d'ajouter de l'essence. Remettre immédiatement le bouchon du réservoir d'essence et le serrer fermement. S'éloigner d'au moins 9 m (30 pi) du point de ravitaillement avant de lancer le moteur. Ne pas fumer, et rester à l'écart des flammes vives et des étincelles ! Ne pas respecter ces instructions représente un risque d'incendie et de blessures graves.

## **LUBRIFIANT DE GUIDE ET CHAÎNE**

Voir la figure 3.

Le guide-chaîne et la chaîne nécessitent une lubrification constante. La lubrification est assurée par le système de lubrification automatique lorsque le réservoir d'huile est rempli. Le manque de lubrifiant détruira rapidement le guide-chaîne et la chaîne. Une quantité de lubrifiant insuffisante entraînera une surchauffe; elle peut être détectée par la présence de fumée émanant de la chaîne ou par une décoloration du guide-chaîne. La lubrification peut être augmentée ou diminuée en tournant la vis de réglage située au bas du carter (jusqu'à 1/4 de tour au maximum) à l'aide de la partie tournevis de la clé mixte fournie.

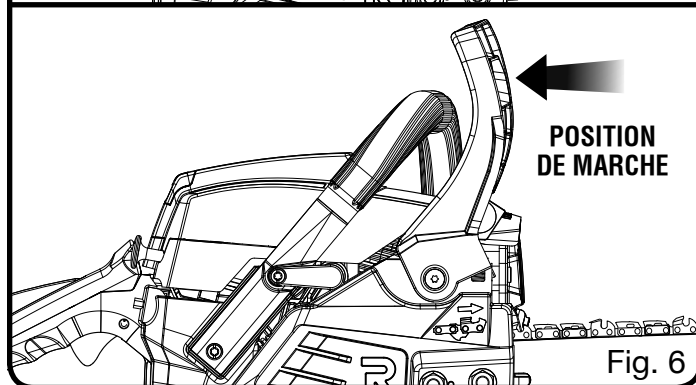
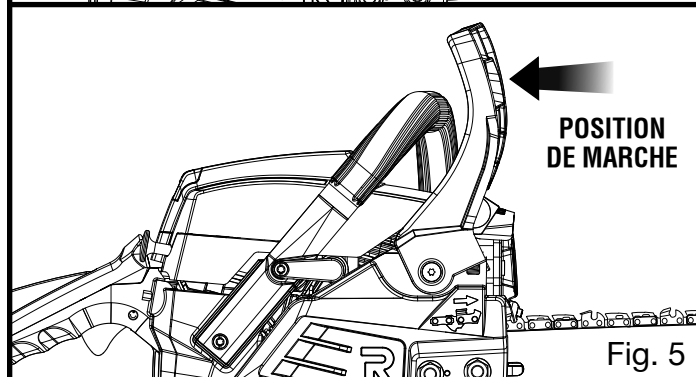
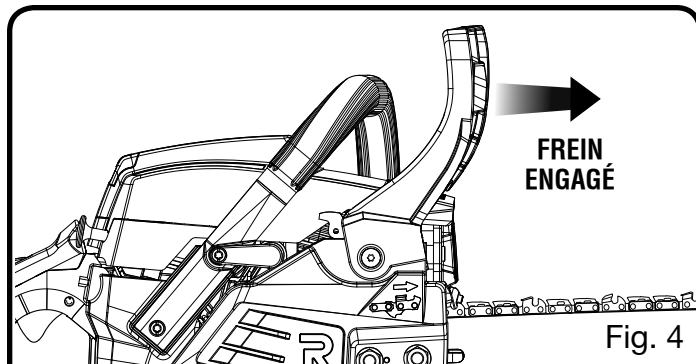
## **⚠ AVERTISSEMENT :**

NE jamais régler le système de lubrification automatique lorsque le moteur est en marche. Ne pas prendre cette précaution peut causer des blessures graves.

## **APPOINT DE LUBRIFIANT POUR GUIDE ET CHAÎNE**

Voir la figure 3.

Utiliser un lubrifiant conçu pour la lubrification des chaînes de scie à chaîne. Elles sont formulées pour allonger la durée de vie de la chaîne et du guide en les protégeant contre l'usure et en réduisant la friction et la chaleur. Cette scie à chaîne doit consommer



environ un réservoir d'huile par réservoir de carburant.

**NOTE :** Ne pas utiliser de lubrifiant sale, usagé ou autrement contaminé. Cela pourrait endommager la pompe à lubrifiant, le guide ou la chaîne.

- Verser soigneusement le lubrifiant pour guide et chaîne dans le réservoir.
- Remplir le réservoir d'huile lors de chaque approvisionnement en carburant du moteur.

## **UTILISATION DU FREIN DE CHAÎNE**

Voir les figures 4 et 5.

Le fonctionnement du frein de chaîne doit être vérifié avant chaque utilisation.

- Avec le dos de la main gauche, engager le frein de chaîne en poussant le levier de frein / protège-main en direction du guide pendant que la chaîne tourne à haute vitesse.

# UTILISATION

- Remettre le frein en position de **MARCHE** en saisissant le haut du levier de frein / protège-main en direction de la poignée avant, jusqu'à ce qu'un déclic se produise.

## ⚠ **AVERTISSEMENT :**

Si le frein n'arrête pas la chaîne immédiatement confier la scie à un centre de réparations qualifié pour la faire réparer avant de l'utiliser de nouveau.

## **AVIS :**

Avant chaque utilisation, s'assurer que la chaîne est adéquatement tendue. Une chaîne froide est bien tendue lorsqu'il n'y a aucun mou sous le rail de guidage, que la chaîne est serrée et qu'elle peut être tournée à la main sans se coincer. Pendant l'utilisation normale de la scie, la température de la chaîne augmente. Les maillons-guide d'une chaîne chaude correctement tendue pendent à environ 1,27 mm (0,050 po) de la rainure du guide.

Pour bien ajuster la tension de la chaîne, consulter les instructions **Ajuster la tension de la chaîne** dans la section *Entretien* de ce guide.

## **DÉMARRAGE DU MOTEUR**

Voir les figures 6 à 9.

La méthode de démarrage n'est pas la même, selon que le moteur est chaud ou froid.

## ⚠ **AVERTISSEMENT :**

Garder le corps à gauche de la ligne de chaîne. Ne jamais chevaucher la scie ou la chaîne ou se pencher au-delà de la ligne de chaîne.

- Placer la scie sur un sol plan et veiller à ce qu'aucun objet ou obstacle risquant d'être heurté par le guide ou la chaîne, ne se trouve à proximité. Pour éviter que la chaîne ne s'émousse rapidement, ne pas laisser le guide et la chaîne en contact avec la saleté du sol.
- Tenir fermement la poignée avant de la main gauche et placer le pied droit sur la base de la poignée arrière.

## **Démarrage du moteur froid :**

- S'assurer que le frein de chaîne est en position de marche en tirant le levier / protège-main en arrière.

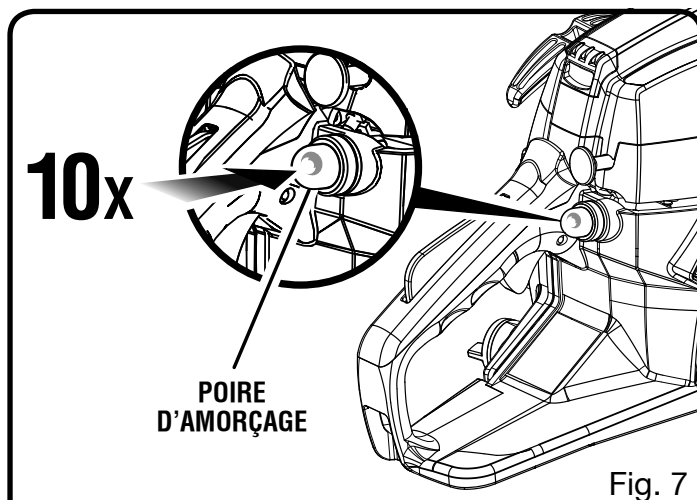


Fig. 7

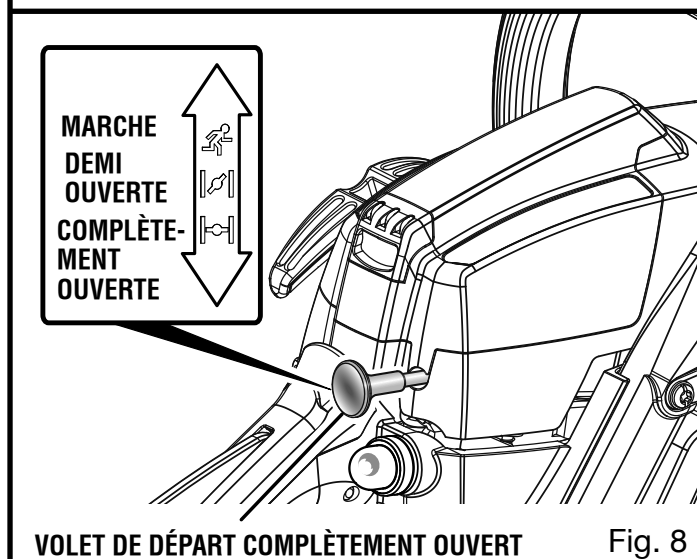


Fig. 8

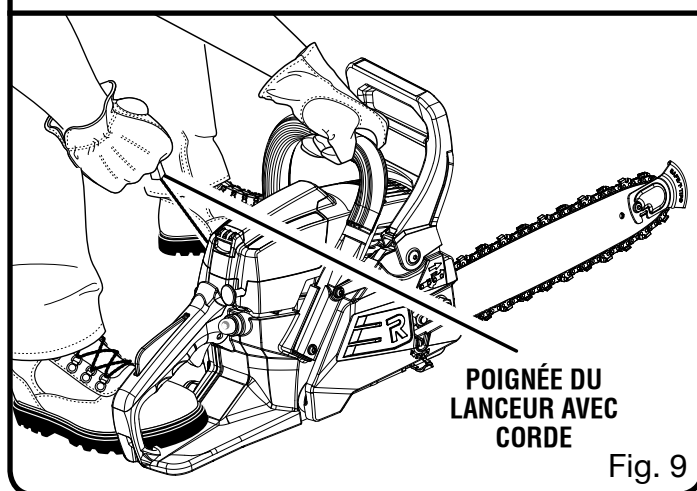


Fig. 9

- Tirer le bouton de volet de départ, en position **COMPLÈTEMENT OUVERTE** (|--|).
- Appuyer à fond sur la poignée d'amorçage et la relâcher, 10 fois.

# UTILISATION

- Tirer sur le poignée lanceur et corde jusqu'à ce que le moteur essaie de démarrer. Ne pas tirer plus de 5 fois.
- Pousser le bouton volet de départ en position de **MARCHE** (↗).
- Tirer sur le poignée lanceur et corde jusqu'à ce que le moteur tourne.

## AVIS :

Ne pas relâcher l'accélération partielle lorsque le frein de chaîne est engagé endommagerait gravement l'outil. Ne jamais appuyer sur la gâchette et la maintenir appuyée lorsque le frein de chaîne est engagé.

## Démarrage du moteur chaud :

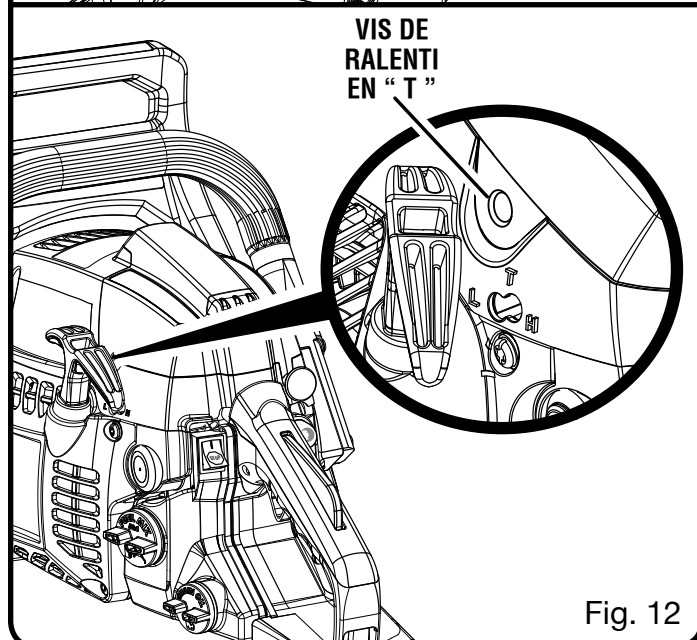
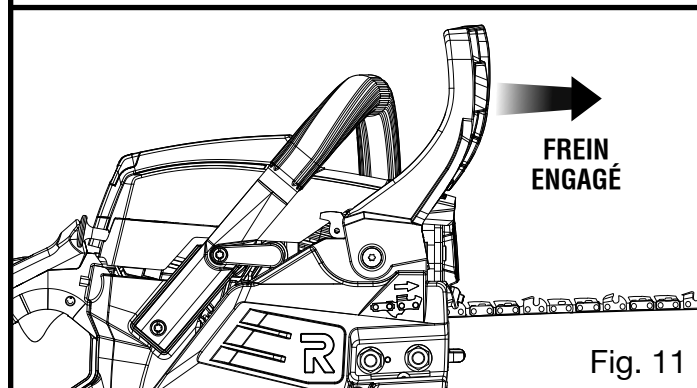
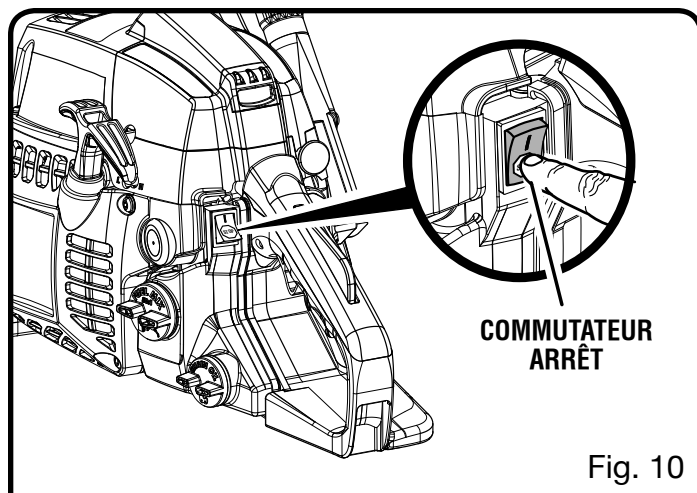
- S'assurer que le frein de chaîne est en position de marche en tirant le levier/protège-main en arrière.
- Tirer sur le poignée lanceur et corde jusqu'à ce que le moteur tourne.

## ARRÊT DU MOTEUR

Voir les figures 10 et 11.

Relâcher la gâchette d'accélérateur et laisser le moteur retourner au ralenti. Pour éteindre le moteur, appuyer sur le commutateur arrêt. Ne pas poser la scie à chaîne sur le sol si la chaîne est encore en mouvement. À titre de sécurité supplémentaire, engager le frein lorsque la scie n'est pas en usage. Si le moteur ne peut pas être arrêté au moyen du commutateur arrêt, tirer à fond sur le bouton de volet de départ (position **COMPLÈTEMENT OUVERTE**/|→|) et engager le frein de chaîne pour arrêter le moteur. Si la scie ne s'arrête pas lorsque le commutateur arrêt est pressé en position **D'ARRÊT**, faire réparer le commutateur avant d'utiliser de nouveau la scie, afin d'éviter des situations dangereuses pouvant entraîner des blessures graves.

**NOTE :** Après avoir fini d'utiliser la scie, desserrer les bouchons des réservoirs d'huile de chaîne et de mélange de carburant pour relâcher la pression dans les réservoirs. Laisser le moteur refroidir avant de remiser la scie.



# UTILISATION

## RÉGLAGE DURALENTI

Voir la figure 12.

### ⚠ AVERTISSEMENT :

La chaîne se déplacera autour du guide de chaîne lors du réglage du ralenti. Porter des vêtements de protection et éloigner les autres personnes, enfants et animaux à une distance d'au moins 15 m (50 pi). Effectuer les réglages en posant l'outil sur une surface stable de manière à éviter tout contact de la chaîne et du guide avec le sol ou tout autre objet. Garder toutes les parties du corps éloigné de la chaîne/guide et de l'échappement. Ne pas suivre ces directives peut causer des blessures graves.

- Si le moteur démarre, tourne et accélère, mais ne tient pas le ralenti, tourner la vis de ralenti « T » vers la droite pour augmenter le régime.
- Si la chaîne tourne lorsque le moteur est au ralenti tourner la vis de ralenti « T » vers la gauche pour réduire le régime et arrêter la rotation de la chaîne. Si la chaîne continue de tourner au ralenti après avoir effectué le réglage, confier la scie à un centre de réparations qualifié, et ne plus l'utiliser tant que les réparations n'ont pas été effectuées.

### ⚠ AVERTISSEMENT :

LA CHAÎNE NE DOIT JAMAIS TOURNER LORSQUE LE MOTEUR EST AU RALENTI. Tourner la vis de ralenti « T » vers la gauche pour réduire le régime de ralenti et immobiliser la chaîne ou confier la scie à un centre de réparations qualifié, et ne plus l'utiliser tant que les réparations n'ont pas été effectuées. La rotation de la chaîne au ralenti peut causer des blessures graves.

## POUSSÉE ET TRACTION

Voir la figure 13.

La force de réaction s'exerce toujours dans le sens opposé au mouvement de la chaîne. Par conséquent, l'opérateur doit être prêt à contrôler la TRACTION lorsque la coupe est effectuée avec la partie inférieure du guide et la POUSSÉE lorsque

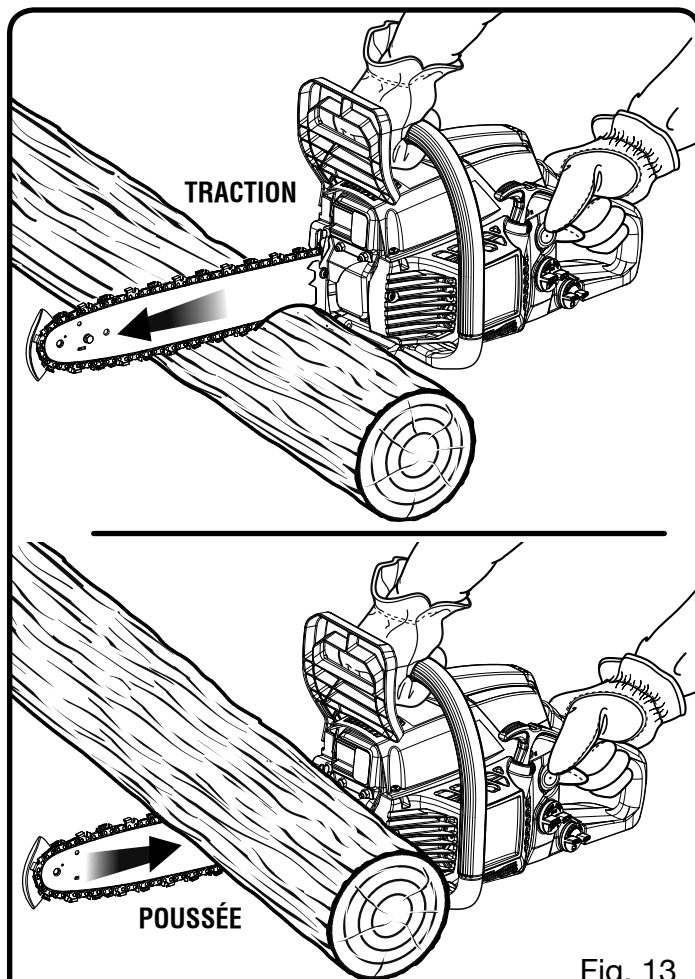


Fig. 13

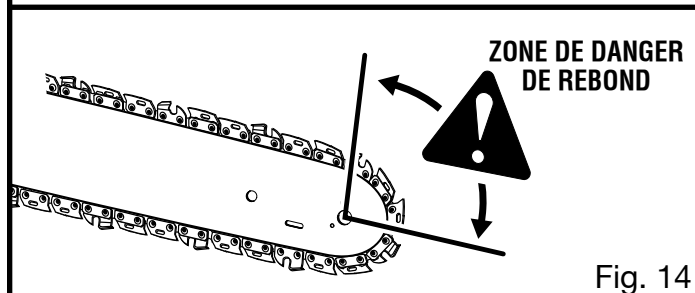


Fig. 14

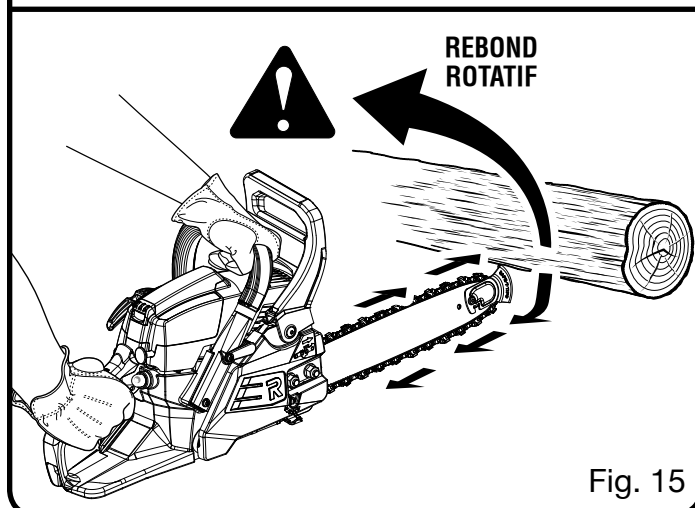


Fig. 15



# UTILISATION

la coupe est effectuée avec la partie supérieure du guide.

**NOTE :** Cette scie à chaîne a été soumise à des essais complets en usine. Il est donc normal qu'elle présente des traces d'huile.

## **⚠ AVERTISSEMENT :**

Le REBOND se produit lorsque la chaîne en rotation heurte un objet dans la partie supérieure de l'extrémité du guide ou lorsque l'entaille se referme et pince la chaîne dans le bois. Le contact de la partie supérieure de l'extrémité du guide peut faire plonger la chaîne dans le bois et la bloquer pendant un instant. Il en résulte une réaction fulgurante, projetant le guide vers le haut et l'arrière, en direction de l'utilisateur. Le pincement de la chaîne sur le haut du guide peut causer une projection violente de la lame en arrière, en direction de l'utilisateur. Ces réactions peuvent faire perdre le contrôle de la scie et entraîner des blessures graves.

Ne pas compter exclusivement sur les dispositifs de sécurité intégrés à la scie. L'utilisateur doit prendre un certain nombre de précautions pour éviter les accidents et blessures. Voir les *Règles de sécurité générales* pour plus de détails.

## **PRÉCAUTIONS À PRENDRE POUR ÉVITER LE REBOND**

Voir les figures 14 et 15.

Le rebond rotatif se produit lorsque la portion de la chaîne en mouvement se trouvant dans la zone de danger de rebond du guide heurte un objet. Il en résulte une réaction fulgurante, projetant le guide vers le haut et l'arrière, en direction de l'utilisateur. Cette réaction peut faire perdre le contrôle de la scie et entraîner des blessures graves.

## **PRÉPARATION POUR LA COUPE**

### **TENUE CORRECTE DES POIGNÉES**

Voir la figure 16.

Voir *Règles de sécurité générales* pour des informations au sujet de l'équipement de sécurité approprié.

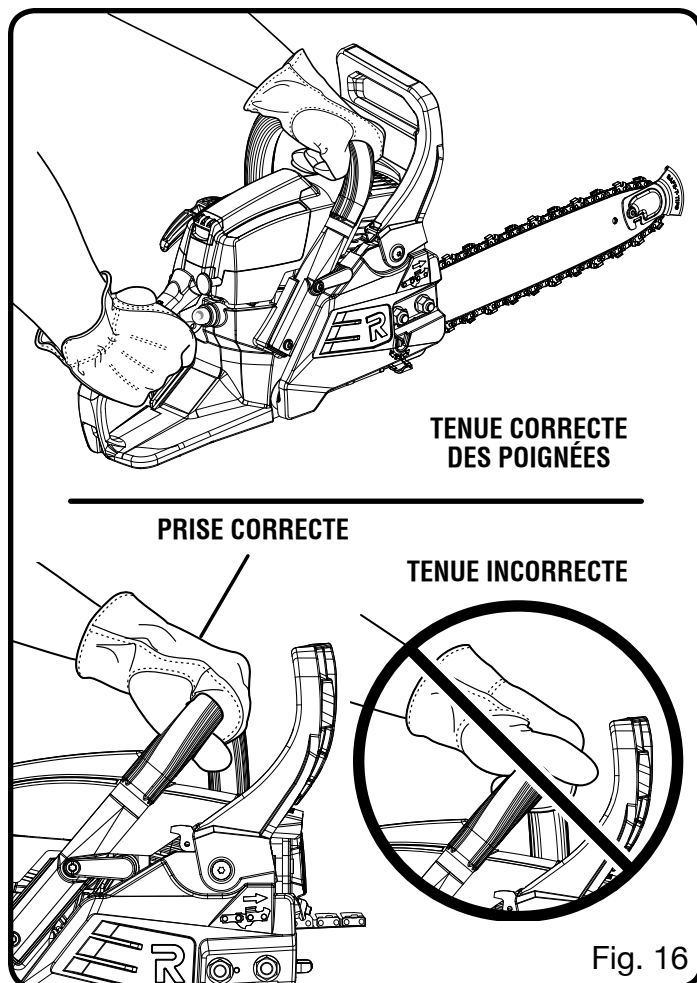


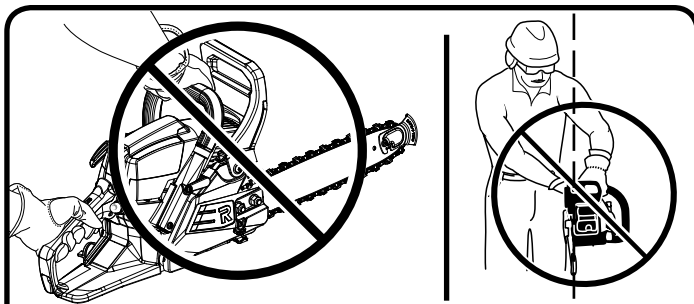
Fig. 16

- Porter des gants antidérapants pour assurer une prise et une protection maximum.
- Tenir la scie fermement, à deux mains. Toujours garder la main gauche sur la poignée avant et la main droite sur la poignée arrière, de façon à ce que le corps se trouve à gauche de la ligne de chaîne.

## **⚠ AVERTISSEMENT :**

Ne jamais utiliser une prise gauchère (mains inversées) ou une position qui placerait le bras ou le corps en travers de la ligne de chaîne.

# UTILISATION



**⚠ AVERTISSEMENT :** LIGNE DE CHAÎNE →  
NE PAS actionner la gâchette d'accélérateur avec la main gauche en tenant la poignée avant avec la main droite. Ne jamais laisser une partie du corps quelconque se trouver dans la ligne de chaîne pendant l'utilisation de la scie.

- Toujours maintenir correctement la scie lorsque le moteur tourne. Les doigts doivent entourer la poignée, le pouce étant passé au-dessous. Avec cette prise, la scie risque moins d'échapper à l'opérateur sous l'effet d'un rebond ou d'une autre réaction soudaine de la scie. Il est dangereux de tenir la scie avec les doigts et le pouce du même côté de la poignée, car le moindre à-coup peut faire perdre le contrôle de la scie.

## POSITION DE COUPE CORRECTE

Voir la figure 17.

### ⚠ AVERTISSEMENT :

Toujours utiliser la position de coupe appropriée décrite à la présente section. Ne jamais s'agenouiller au moment d'utiliser la scie à chaîne, sauf abattre un arbre, tel qu'il est illustré à la figure 22. Le fait de s'agenouiller peut entraîner une perte de stabilité et de contrôle sur la scie à chaîne, ce qui peut causer des blessures graves.

- Se tenir bien campé et en équilibre sur les deux pieds, sur un sol ferme.
- Garder le bras gauche tendu afin de pouvoir résister à la force d'un éventuel rebond.
- Garder le corps à gauche de la ligne de chaîne.
- Garder le pouce au-dessous de la poignée.

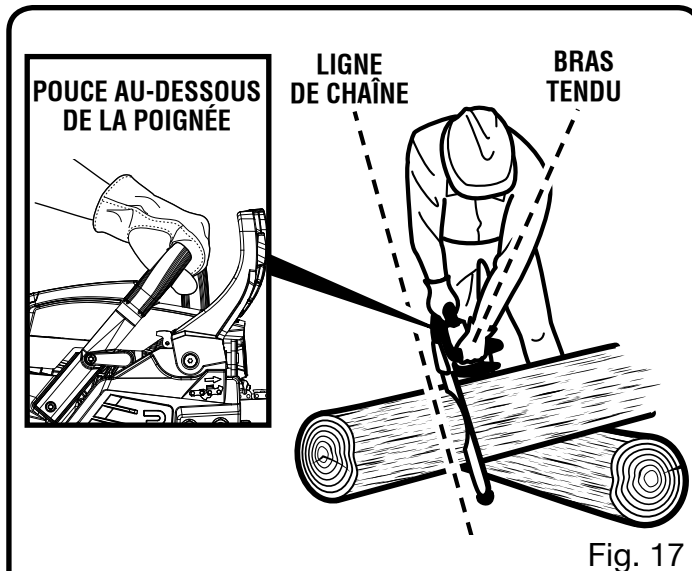


Fig. 17



Fig. 18

## PRÉCAUTIONS À PRENDRE SUR LE LIEU DE TRAVAIL

Voir la figure 18.

- Ne couper que du bois ou des matériaux dérivés du bois. Ne jamais couper de la tôle, des matières plastiques, du béton ou des matériaux de construction autres que le bois.
- Ne jamais laisser un enfant utiliser la scie. Ne jamais laisser quiconque utiliser la scie n'ayant pas lu le manuel d'utilisation ou reçu des instructions appropriées concernant la sécurité et l'utilisation correcte de la scie.
- Tenir les autres travailleurs, badauds et animaux domestiques à **DISTANCE SÉCURITAIRE** de la zone de travail. Pour l'abattage, la distance sécuritaire doit être au moins deux fois la taille de l'arbre le plus grand se trouvant dans la zone de coupe. Pendant les opérations de coupe, maintenir une distance d'au moins 4,6 m (15 pi) entre les travailleurs.

# UTILISATION

- Toujours couper avec les deux pieds posés sur un sol ferme pour éviter toute perte d'équilibre.
- Ne pas couper au-dessus du niveau de la poitrine, car il est difficile de contrôler une scie maintenue plus haut en cas de rebond.
- Ne pas abattre d'arbres se trouvant à proximité de lignes électriques ou de bâtiments. Ce type de travail doit être confié à des professionnels.
- Ne couper que lorsque la visibilité et la lumière permettent de voir clairement.

## MÉTHODES D'UTILISATION / COUPE ÉLÉMENTAIRES

S'exercer en coupant quelques petites branches avec la technique décrite ci-après, pour se familiariser avec la scie avant d'entreprendre un travail de coupe important.

- Se mettre en position correcte, face à la pièce à couper, avec la scie au ralenti.
- Appuyer à fond sur la gâchette pour accélérer au maximum juste avant de commencer l'entaille.
- Commencer la coupe avec la scie appuyée contre la bille.
- Maintenir le moteur à plein régime pendant toute la durée de la coupe.
- Laisser la scie effectuer le travail, ne la pousser que légèrement vers le bas. Une force excessive pourrait endommager la chaîne, le guide ou le moteur.
- Relâcher la gâchette dès que la coupe a été effectuée et laisser le moteur retourner au ralenti. Un fonctionnement à plein régime sans charge de coupe peut inutilement causer une usure excessive de la chaîne, du guide et du moteur.
- Ne pas appuyer sur la scie en fin de coupe.

## ABATTAGE D'ARBRES

### SITUATIONS DANGEREUSES

Voir les figures 19 à 22.

#### **⚠ AVERTISSEMENT :**

Ne pas effectuer d'abattage par grand vent ou en cas de fortes précipitations. Attendre que le temps se calme.

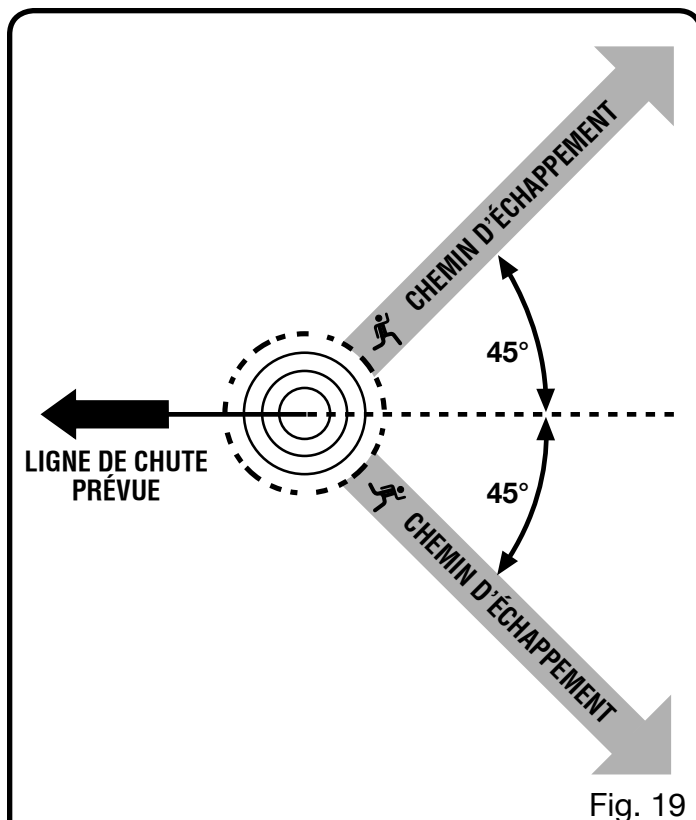


Fig. 19

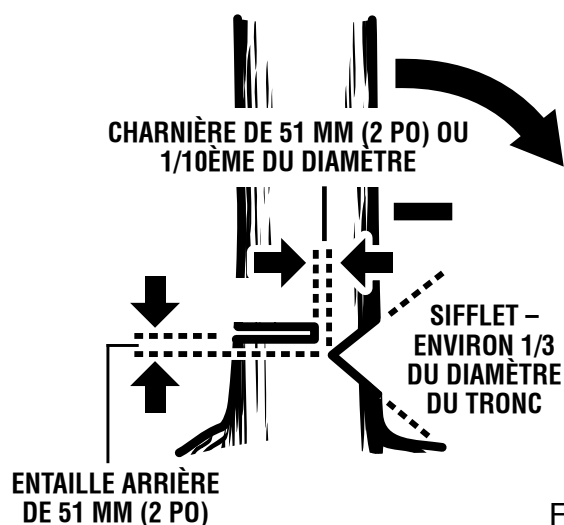


Fig. 20

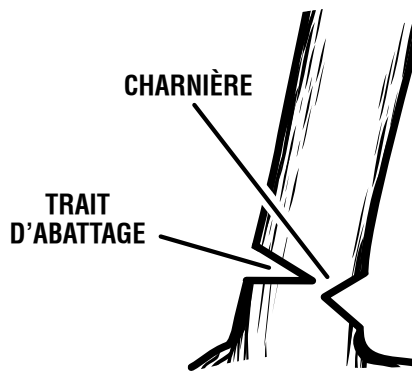


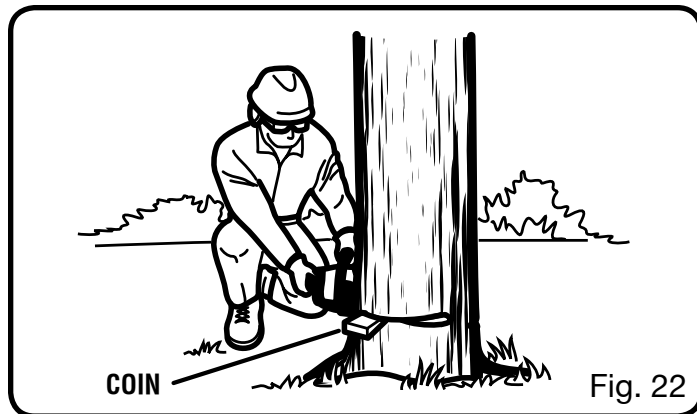
Fig. 21

## **⚠ AVERTISSEMENT :**

Surveiller attentivement les branches brisées ou mortes qui peuvent tomber pendant le taillage et éviter de tailler près des édifices ou fils électriques si la direction de la chute de l'arbre est incertaine. Ne pas tailler le soir ou pendant des conditions climatiques mauvaises, comme sous la pluie, la neige, lors de vents forts. Ces conditions peuvent réduire la visibilité et la manoeuvrabilité de la scie à chaîne. Si l'arbre à abattre entre en contact avec tout câble de service public, il faut cesser l'utilisation de la scie à chaîne et informer immédiatement le fournisseur de service public. Ne pas suivre ces directives peut causer des blessures graves ou mortelles.

Lors de l'abattage d'un arbre il est impératif de respecter les avertissements ci-dessous pour éviter des risques de blessure grave.

- Ne pas couper d'arbres extrêmement inclinés ou de gros arbres aux branches pourries, à l'écorce décollée ou au tronc creux. Ces arbres doivent être poussés ou tirés à terre par un engin de chantier lourd avant d'être débités.
- Ne pas abattre d'arbres se trouvant à proximité de lignes électriques ou de bâtiments.
- Regarder si l'arbre comporte des branches mortes ou endommagées, risquant de tomber et de heurter l'utilisateur pendant l'abattage.
- Pendant la coupe du trait d'abattage, observer de temps à autre la cime de l'arbre pour s'assurer qu'il tombera dans la direction souhaitée.
- Si l'arbre commence à tomber dans le mauvais sens ou si la scie est pincée ou bloquée pendant la chute, l'abandonner et s'échapper !
- Abattage - Lorsque deux personnes ou plus effectuent des opérations de tronçonnage à proximité d'un abattage, elles doivent se trouver à une distance correspondant à au moins deux fois la hauteur de l'arbre abattu. Les arbres ne doivent pas être abattus d'une manière risquant de mettre quiconque en danger, de heurter une ligne électrique ou de causer des dommages matériels. Si une ligne électrique est heurtée, la compagnie d'électricité doit être immédiatement notifiée.
- Avant de commencer une coupe, déterminer un chemin d'échappement (ou plusieurs au



cas ou le chemin prévu serait bloqué) déblayer les environs immédiats et s'assurer qu'aucun obstacle se trouve sur le chemin d'échappement prévu. Les trajectoires sécuritaires du chemin d'échappement doivent se situer à l'arrière et en diagonale (45°) à l'arrière de la ligne de chute prévue. Lorsque l'arbre commence à tomber, il faut s'écarter de la ligne de chute et suivre le chemin d'échappement et s'éloigner d'au moins 6 m (20 pi) du tronc au cas où l'arbre rebondirait sur la souche. *Voir la figure 19.*

- Avant de commencer l'abattage, tenir compte de la force et de la direction du vent, de l'inclinaison et de l'équilibre de l'arbre et de la position des grosses branches. Tous ces facteurs influencent la direction dans laquelle l'arbre tombera. Ne pas faire levier pour abattre un arbre dans une direction autre que la ligne de chute naturelle.
- L'opérateur doit se tenir en amont de l'arbre, étant donné qu'une fois abattu, l'arbre glissera ou roulera vers le bas de la pente.
- Éliminer la terre, les pierres, l'écorce décollée, les clous, agrafes et fils métallique des endroits où les entailles doivent être pratiquées.
- **Entaille de dessous.** Pratiquer une entaille d'environ le tiers du diamètre du tronc comme illustré la figure 20. Veiller à ce que les entailles du sifflet se rejoignent à angle droit par rapport à la ligne de chute. Le sifflet doit être taillé de façon à présenter une ligne droite. Pour empêcher le pincement de la scie sous le poids du bois, toujours effectuer l'entaille inférieure en premier. *Voir la figure 20.*
- **Entaille d'abattage.** L'entaille d'abattage doit toujours être de niveau et horizontale et effectuée à au moins 51 mm (2 po) au-dessus de l'entaille horizontale du sifflet. *Voir les figures 20 et 21.*

# UTILISATION

- Ne jamais couper jusqu'au sifflet. Toujours laisser une épaisseur de bois d'environ 51 mm (2 po) ou 1/10ème du diamètre du tronc entre l'entaille d'abattage et le sifflet. Ceci s'appelle une « charnière ». Cette charnière contrôle la chute de l'arbre et empêche le tronc de glisse, de pivoter ou de basculer sur la souche. Voir les figures 20 et 21.
- Sur les arbres de grand diamètre, arrêter le trait d'abattage avant qu'il ne soit assez profond pour causer la chute de l'arbre ou son affaissement sur la souche. Ensuite, insérer des coins en bois ou en plastique dans le trait, de façon à ce qu'ils ne touchent pas la chaîne. Les coins peuvent être enfoncés petit à petit pour faire lever sur l'arbre. Voir la figure 22.

**NOTE :** Lorsque des coins sont utilisés pour l'entaille ou l'abattage, il peut être nécessaire de retirer la garde antirebond SAFE-T-TIP afin de pouvoir tirer la lame au travers de l'entaille. Une fois la coupe effectuée, la garde doit être immédiatement remise en place.

- Dès que l'arbre commence à tomber, arrêter la scie et la poser immédiatement à terre. S'échapper par le chemin dégagé tout en prenant garde que rien ne tombe vers soi. Se méfier des branches risquant de tomber et regarder où l'on met les pieds.

## **⚠ AVERTISSEMENT :**

Ne jamais couper l'entaille d'abattage jusqu'au sifflet. La charnière, qui est la section de bois laissée intacte entre le trait d'abattage et le sifflet contrôle la chute de l'arbre.

## **DÉBITAGE**

Voir la figure 23.

Débitage est le terme utilisé pour la coupe d'un arbre abattu en billes de la taille désirée.

- Ne couper qu'une bille à la fois.
- Soutenir les petites billes avec un chevalet ou une autre bille.
- Garder le lieu de travail propre et déblayé. S'assurer que rien ne risque d'entrer en contact avec l'extrémité du guide et la chaîne, car cela pourrait causer un rebond. Pour éviter ce risque, laisser la garde anti-rebond SAFE-T-TIP en

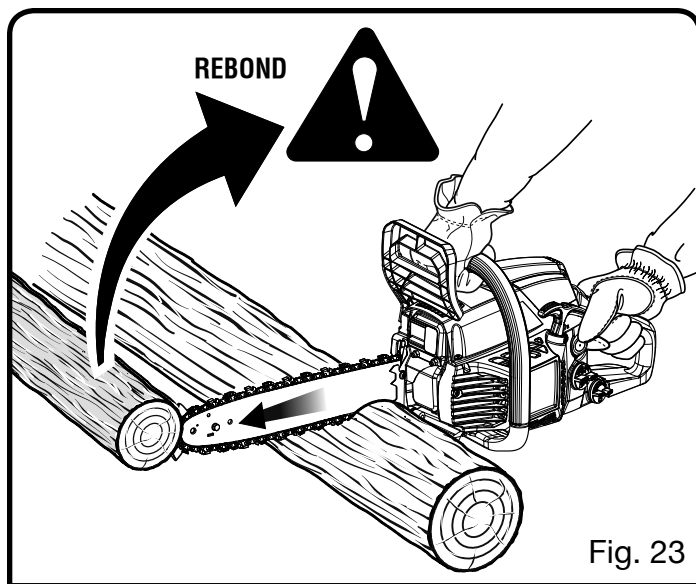


Fig. 23

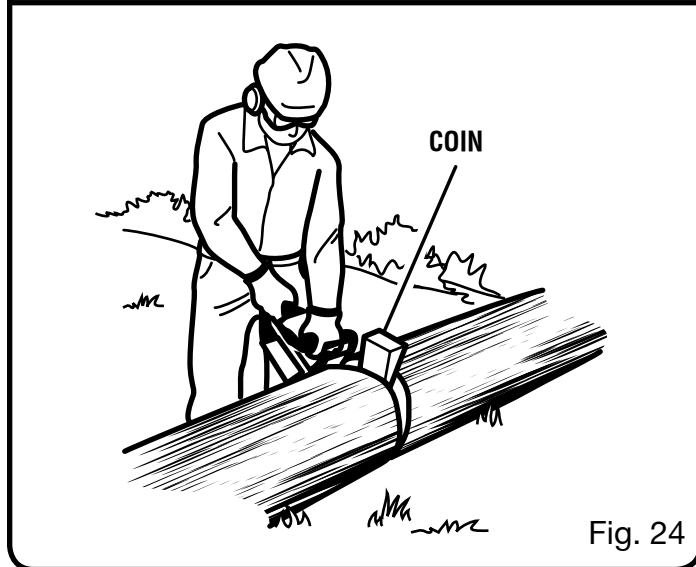


Fig. 24

place pendant la coupe. Pour plus de détails, voir **Rebond**, à la section *Règles de sécurité particulières* de ce manuel.

- Lors du tronçonnage sur une pente, toujours se tenir en amont de la bille. En fin de coupe, réduire la pression exercée sur la scie, sans relâcher la prise des deux mains sur les poignées afin de garder le contrôle de la scie. Ne pas laisser la chaîne heurter le sol. Une fois la coupe terminée, attendre l'immobilisation complète de la chaîne avant de se déplacer. Toujours arrêter le moteur avant de passer à un autre arbre.

## **TRONÇONNAGE AVEC COINS**

Voir la figure 24.

Si le diamètre de la pièce est assez grand pour permettre l'insertion d'un coin en bois tendre sans

# UTILISATION

que celui-ci touche la chaîne, utiliser le coin pour maintenir l'entaille ouverte et empêcher le pincement de la chaîne.

**NOTE :** Lorsque des coins sont utilisés pour l'entaille ou l'abattage, il peut être nécessaire de retirer la garde antibond SAFE-T-TIP afin de pouvoir tirer la lame au travers de la section. Une fois la coupe effectuée, remettre la garde en place.

## DÉBITAGE DE BILLES SOUS CONTRAINTE

Voir la figure 25.

Pratiquer la première entaille à 1/3 du diamètre de la pièce et finir la coupe des 2/3 restant depuis le côté opposé. À mesure qu'elle est coupée, la bille a tendance à ployer. Si la première coupe dépasse le tiers du diamètre de la bille, la lame risque d'être pincée ou bloquée dans l'entaille.

Prêter une attention particulière aux billes sous contrainte pour éviter que le guide et la chaîne ne soient pincés.

## COUPE PAR LE DESSUS

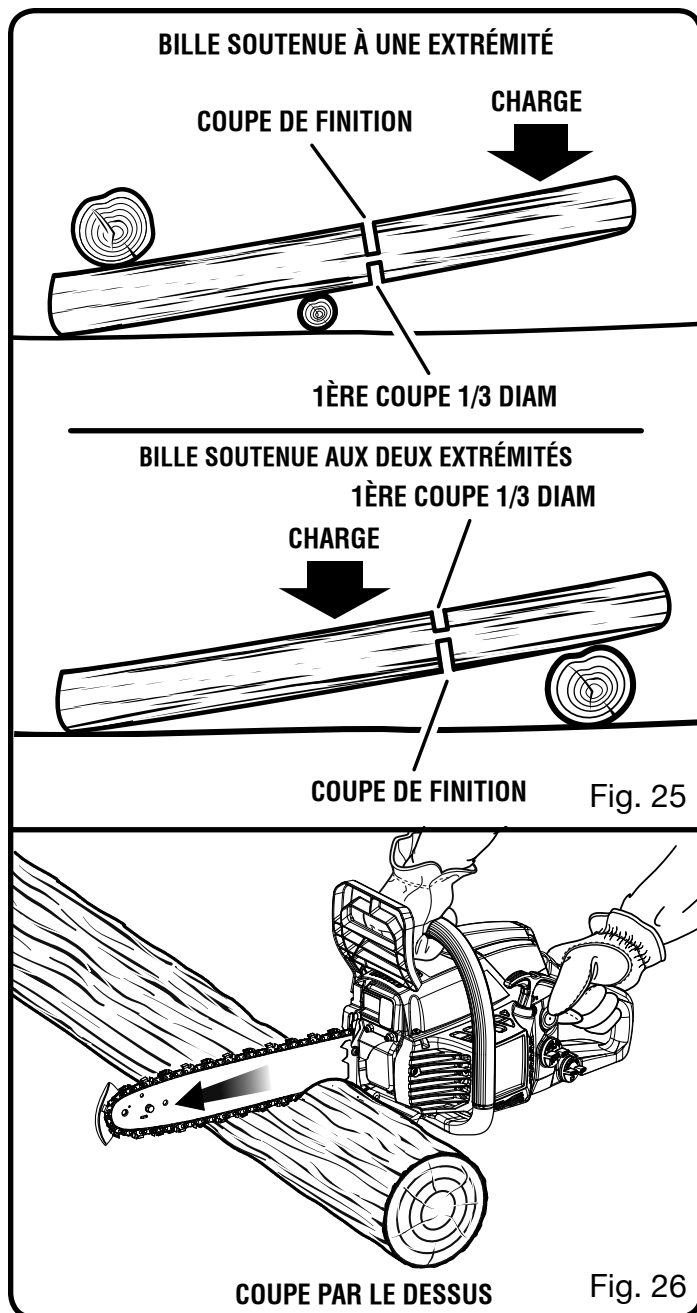
Voir la figure 26.

Commencer sur le haut de la bille, le bas de la scie appuyé contre le bois et exercer une légère pression vers le bas. Noter que la scie aura tendance à tirer vers l'avant.

## COUPE PAR LE DESSOUS

Voir la figure 27.

Commencer sur le bas de la bille, le haut de la scie appuyé contre le bois et exercer une légère pression vers le haut. Noter que la scie aura tendance à pousser vers l'utilisateur. Être préparé à cette réaction et maintenir la scie fermement pour garder le contrôle.



# UTILISATION

## ÉBRANCHAGE

Voir la figure 28.

### ⚠ AVERTISSEMENT :

Ne jamais grimper dans un arbre pour l'ébrancher ou l'émonder. Ne pas travailler en se tenant sur une échelle, une plate-forme, dessus de toit ou une bille, ni se tenir dans une position risquant de faire perdre l'équilibre ou le contrôle de la scie, ce qui peut causer la mort ou d'autres blessures graves.

L'ébranchage consiste à couper les branches d'un arbre abattu.

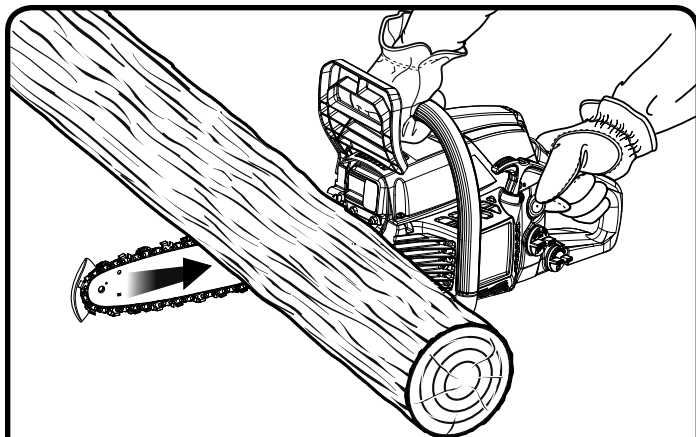
- Travailler lentement et tenir la scie fermement à deux mains. Toujours veiller à se tenir bien campé et en équilibre sur les deux pieds.
- Ne pas couper les grosses branches soutenant l'arbre, afin de le maintenir à distance du sol.
- Ne couper qu'une branche à la fois. Éloigner les branches coupées de la zone de travail fréquemment pour maintenir l'endroit dégagé et sûr.
- Les branches sous tension doivent être coupées par le dessous pour éviter le pincement de la chaîne.
- Pendant l'ébranchage, garder le tronc entre le corps et la scie. Couper en se tenant du côté du tronc opposé à la branche à couper.

## ÉLAGAGE

Voir la figure 29.

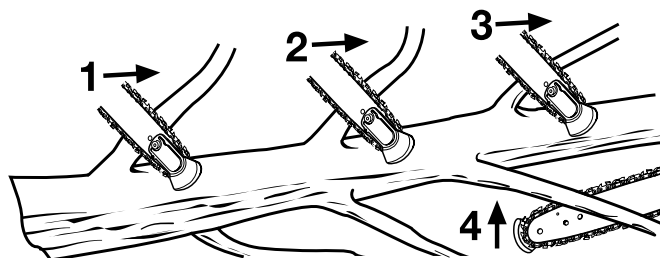
L'élagage consiste à couper les branches d'un arbre sur pied.

- Travailler lentement et tenir la scie fermement à deux mains. Toujours veiller à se tenir bien campé et en équilibre sur les deux pieds.
- Ne pas utiliser la scie en se tenant sur une échelle, ce qui est extrêmement dangereux. Ce type de travail doit être confié à des professionnels.
- Ne pas couper au-dessus du niveau de la poitrine, car il est difficile de contrôler une scie maintenue plus haut en cas de rebond.
- Lors de l'élagage il est important de ne pas couper au ras d'une branche maîtresse ou du tronc avant d'avoir coupé la branche à distance pour en réduire le poids. Ceci évite d'endommager l'écorce.



COUPE PAR LE DESSOUS

Fig. 27



COUPER LES BRANCHES UNE À UNE ET LAISSER CELLES SOUTENANT LE TRONC JUSQU'À CE QU'CELUI-CI SOIT DÉBITÉ.

Fig. 28

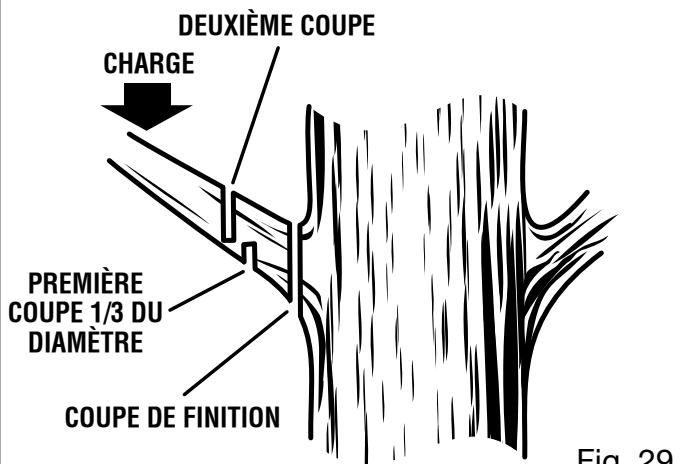


Fig. 29

## UTILISATION

- La première entaille doit être effectuée par le dessous, jusqu'au tiers du diamètre de la branche.
- La deuxième entaille doit être effectuée par le dessus pour faire tomber la branche.
- Ceci fait, la coupe finale peut être effectuée nettement au ras du tronc ou de la branche maîtresse, de façon à ce que l'écorce puisse pousser pour sceller la plaie.

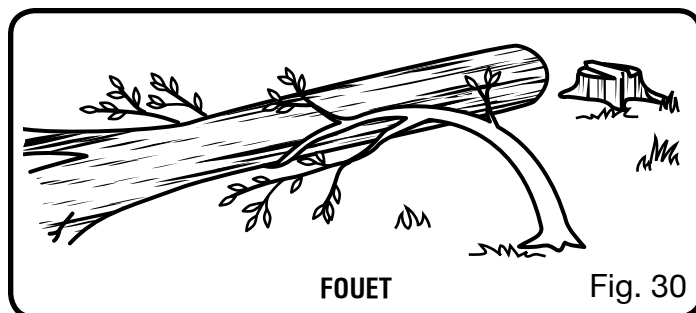
### **⚠ AVERTISSEMENT :**

Si les branches à couper se trouvent au-dessus du niveau de la poitrine, confier le travail à un professionnel. Ne pas prendre cette précaution peut entraîner des blessures graves ou mortelles.

### **COUPE DE FOUETS**

*Voir la figure 30.*

Un fouet est une bille, une branche, une souche déracinée ou un arbrisseau fléchi sous tension par une autre pièce de bois qui se détendra une fois que cette pièce est coupée ou enlevée. La souche déracinée d'un arbre abattu risque fortement de se



remettre à la verticale lorsque la coupe destinée à séparer le tronc de la souche est effectuée. Se méfier des fouets, ils sont dangereux.

### **⚠ AVERTISSEMENT :**

Les fouets sont dangereux et peuvent heurter l'opérateur, lui faisant perdre le contrôle de la scie. Ceci peut entraîner des blessures graves ou mortelles.

## ENTRETIEN

L'entretien normal, le remplacement ou la réparation des dispositifs du système antipollution doit être fait par un magasin de réparation ou un technicien qualifié possédant les pièces d'origine ou équivalentes. La garantie et les rappels pour réparations peuvent être faits par un centre de réparations autorisé; pour obtenir de l'aide, veuillez communiquer avec le service à la clientèle.

### **⚠ AVERTISSEMENT :**

Avant d'inspecter, nettoyer ou entretenir l'équipement, couper le moteur, attendre que toutes les pièces en mouvement s'arrêtent, déconnecter le fil de la bougie et l'écartier de la bougie. Le non-respect de ces instructions peut entraîner des blessures graves ou des dégâts matériels.

### **⚠ AVERTISSEMENT :**

Les surfaces du silencieux sont très chaudes pendant et après l'utilisation de la scie à chaîne. Garder toutes les parties du corps à l'écart du silencieux. Un contact avec le silencieux peut causer des brûlures graves.

### **⚠ AVERTISSEMENT :**

Toujours porter une protection oculaire avec écrans latéraux certifiée conforme à la norme ANSI Z87.1, avec protection auditive et un casque lors de l'utilisation de cet outil. Ne pas suivre cette directive pourrait entraîner des blessures graves, par exemple si l'appareil projetait des objets dans vos yeux.



# ENTRETIEN

## **⚠ AVERTISSEMENT :**

Utiliser exclusivement des pièces recommandées ou équivalentes à celles d'origine pour les réparations. L'usage de toute autre pièce pourrait créer une situation dangereuse ou endommager l'outil.

## **AVIS :**

Inspecter périodiquement au complet le produit afin de s'assurer qu'aucune pièce (vis, écrous, boulons, chapeaux, etc.) n'est endommagée, manquante ou desserrée. Serrer solidement toutes les pièces de fixation et les chapeaux et ne pas utiliser le produit tant que toutes les pièces manquantes ou endommagées n'ont pas été remplacées. Veuillez communiquer avec le service à la clientèle ou un centre de réparations qualifié pour obtenir de l'aide.

## ENTRETIEN GÉNÉRAL

Éviter d'utiliser des solvants pour le nettoyage des pièces en plastique. La plupart des matières plastiques peuvent être endommagées par divers types de solvants du commerce. Utiliser un chiffon propre pour éliminer la saleté, la poussière, l'huile, la graisse, etc.

## **⚠ AVERTISSEMENT :**

Ne jamais laisser de liquides tels que le fluide de freins, l'essence, les produits à base de pétrole, les huiles pénétrantes, etc., entrer en contact avec les pièces en plastique. Les produits chimiques peuvent endommager, affaiblir ou détruire le plastique, ce qui peut entraîner des blessures graves.

## REPLACEMENT DU GUIDE ET DE LA CHAÎNE

Voir les figures 31 à 40.

## **⚠ DANGER :**

Ne jamais mettre le moteur en marche sans que le guide, la chaîne, le capot moteur et le tambour d'embrayage soient en place. Si toutes ces pièces ne sont pas en place, l'embrayage peut être éjecté ou éclater et infliger des blessures graves ou mortelles.

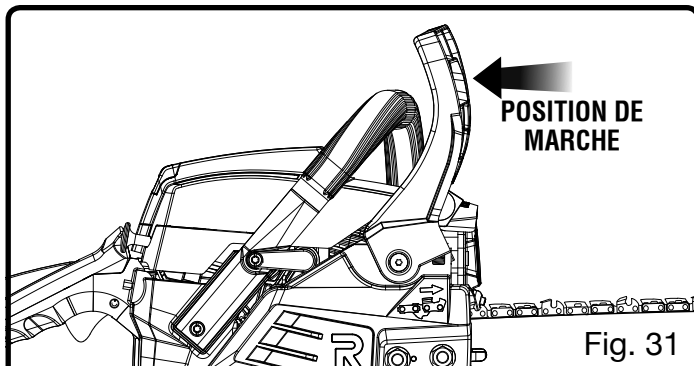


Fig. 31



Fig. 32

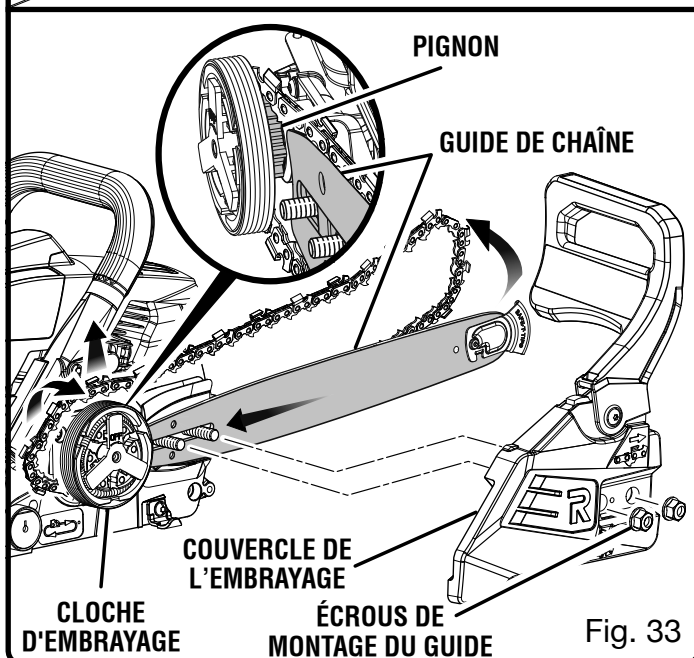


Fig. 33

## **⚠ AVERTISSEMENT :**

Pour éviter des blessures graves, lire et veiller à bien comprendre toutes les instructions de sécurité contenues dans cette section.

- Arrêter le moteur et débrancher le fil de la bougie avant de travailler sur la scie.
- S'assurer que le frein de chaîne n'est pas engagé, en tirant le levier de commande / protection de

# ENTRETIEN

poignée avant en direction de la poignée avant, en position de marche.

**NOTE :** Lors du remplacement du guide et de la chaîne, toujours utiliser les pièces indiquées à la section **Combinaisons de guide et chaîne**, plus loin dans ce manuel.

- Toujours porter des gants lors de la manipulation du guide et de la chaîne. Ces pièces sont affûtées et peuvent présenter des ébarbures.
- Retirer les écrous de montage du guide à l'aide d'une clé mixte fournie.
- Retirer le couvercle de l'embrayage.
- Faire glisser le guide-chaîne en direction du pignon pour détendre la chaîne.
- À partir de la base du guide-chaîne, soulever la vieille chaîne du nez puis la retirer du sommet du guide-chaîne, du pignon et de la cloche d'embrayage.
- Étendre la nouvelle chaîne pour la disposer en boucle et redresser les nœuds le cas échéant. Les dents doivent être orientées dans la direction de rotation de la chaîne. Si elles sont orientées vers l'arrière, retourner la boucle.
- Aligner le guide-chaîne sur la surface de fixation afin que les pitons du guide-chaîne se trouvent dans la longue fente du guide-chaîne.
- Placer la chaîne sur le nez comme indiqué afin qu'elle soit derrière le guide-chaîne. Tout en maintenant la chaîne en position, placer l'extrémité gauche de la boucle par-dessus et derrière la cloche d'embrayage et autour du pignon.

**NOTE :** S'assurer que la chaîne repose sur l'attrape-chaîne pour garantir l'alignement des maillons-guides dans la fente du guide-chaîne.

- Placer les maillons-guides dans la fente du guide-chaîne comme indiqué. Faire glisser le sommet de la chaîne en direction du nez jusqu'à ce que les maillons-guides s'insèrent dans la fente du guide-chaîne.
- Faire glisser le guide-chaîne en l'éloignant du pignon pour tendre la chaîne. S'assurer de maintenir le guide chaîne au niveau de la surface de montage.
- Replacer le carter d'embrayage en s'assurant que la goupille de réglage du carter d'embrayage

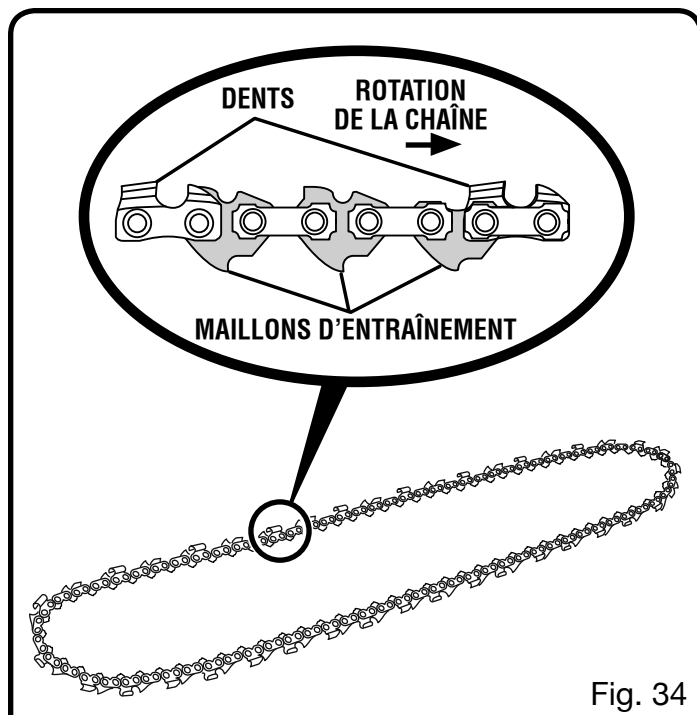


Fig. 34

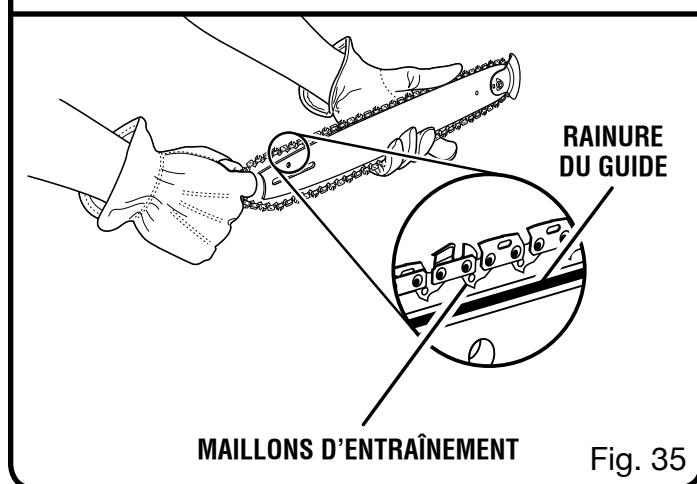


Fig. 35

s'engage dans le trou de la goupille de tension de chaîne du guide-chaîne et que les deux pitons du guide-chaîne sont fermement engagés dans les trous correspondants dans le carter d'embrayage.

**NOTE :** La goupille de réglage devra peut-être être repositionnée légèrement à l'aide de la vis de tension de chaîne afin de l'aligner sur la position du trou de la goupille de tension du guide-chaîne.

- Remettre le couvercle de l'embrayage et les écrous de montage du guide en place.
- Serrer les écrous du guide à la main. Le mouvement du guide est nécessaire pour le réglage de la tension.

# ENTRETIEN

- Éliminer complètement le mou de la chaîne en tournant la vis de réglage de tension de la chaîne vers la droite jusqu'à ce que la chaîne soit bien ajustée sur le guide, les maillons d'entraînement étant engagés dans la rainure du guide.
- Relever l'extrémité du guide pour vérifier le mou.
- Lâcher l'extrémité du guide et tourner la vis de tension de la chaîne de 1/2 tour vers la droite. Répéter l'opération jusqu'à ce que le mou soit complètement éliminé.
- Maintenir l'extrémité du guide et serrer fermement les écrous de montage du guide.

Une chaîne est correctement tendue lorsqu'elle ne présente pas de mou au dessous du guide et qu'elle est bien serrée, mais peut cependant être tournée à la main sans se gripper. S'assurer que le frein de chaîne est désengagé.

**NOTE :** Si la chaîne est trop tendue, elle ne peut pas tourner. Desserrer légèrement les écrous du guide et tourner la vis de tension de 1/4 de tour vers la gauche. Relever l'extrémité du guide et serrer fermement les écrous de montage du guide. Vérifier que la chaîne peut tourner sans se gripper.

## RÉGLAGE DE LA TENSION DE CHAÎNE

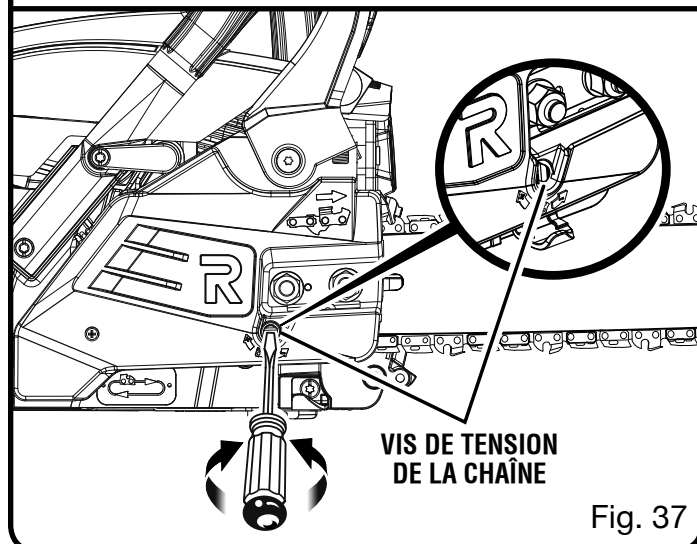
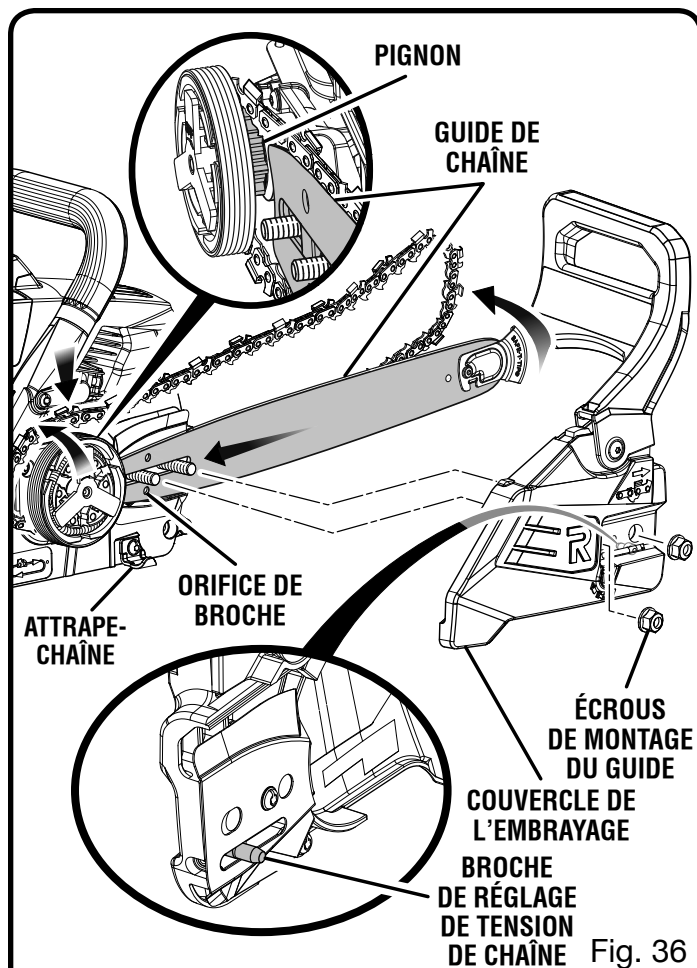
Voir les figures 41 à 43.

### **⚠ AVERTISSEMENT :**

Arrêter le moteur, attendre l'arrêt complet de toutes les pièces en mouvement, déconnecter le fil de la bougie et l'écartier de cette dernière. Ne jamais toucher ou régler la chaîne lorsque le moteur tourne. La chaîne est extrêmement tranchante. Toujours porter des gants lors de l'entretien de la chaîne. Ne pas respecter ces instructions représente un risque de blessures graves.

- Couper le moteur avant de régler la tension de la chaîne.
- Desserrer très légèrement les écrous de montage du guide.
- Tourner la vis de tension vers la droite pour tendre la chaîne.

**NOTE :** Une chaîne froide est correctement tendue lorsqu'elle ne présente pas de mou au dessous du guide et qu'elle est bien serrée mais peut cependant être tournée à la main sans se gripper.



- Retendre la chaîne dès que les éléments plats sur les attaches de montage dépassent du guide-chaîne.

**NOTE :** Pendant l'utilisation normale de la scie, la température de la chaîne augmente. Les maillons d'entraînement d'une chaîne chaude

# ENTRETIEN

correctement tendue pendent à environ 1,25 mm (0.50 po) au-dessous de la rainure du guide. La pointe d'une clé mixte peut être utilisée comme guide pour déterminer la tension correcte d'une chaîne chaude.

**NOTE :** Les chaînes neuves ont tendance à s'étirer. Il convient donc de vérifier fréquemment leur tension et de la corriger le cas échéant.

## AVIS :

Une chaîne réglée à chaud peut présenter une tension excessive une fois refroidie. Vérifier la « tension à froid » avant l'utilisation suivante.

## ENTRETIEN DE LA CHAÎNE

Voir les figures 44 et 45.

## ATTENTION :

Arrêter le moteur et débrancher le fil de la bougie avant de travailler sur la scie d'éviter un démarrage accidentel qui pourrait entraîner des blessures graves.

Utiliser exclusivement des chaînes à rebond réduit sur cette scie. Correctement entretenue, cette chaîne réduira les risques de rebond.

Pour couper rapidement et nettement, la chaîne doit être correctement entretenue.

La chaîne doit être affûtée lorsque les copeaux de bois sont petits et poudreux, lorsqu'il est nécessaire de forcer sur la scie pour couper ou lorsque la chaîne ne coupe que d'un côté. Lors de l'entretien de la chaîne, tenir compte des points suivants :

- Un angle d'affûtage incorrect de la plaque latérale peut accroître les risques de rebond puissant.
- Jeu du limiteur de profondeur
  - Un réglage trop profond accroît le risque de rebond.
  - Un réglage pas assez profond réduit la capacité de coupe.
- Si les dents de la chaîne heurtent des objets durs tels que des clous ou des pierres, ou sont abrasées par du sable ou de la boue se trouvant sur le bois, la faire affûter dans un centre de réparations qualifié.

**NOTE :** Lors du remplacement de la chaîne, s'assurer que le pignon d'entraînement n'est ni usé, ni endommagé. En cas de signes d'usure

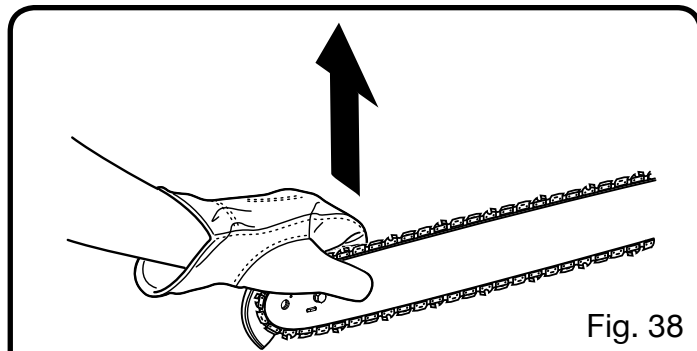


Fig. 38

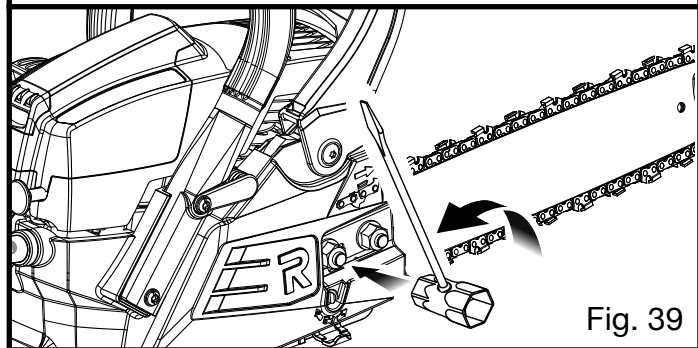


Fig. 39

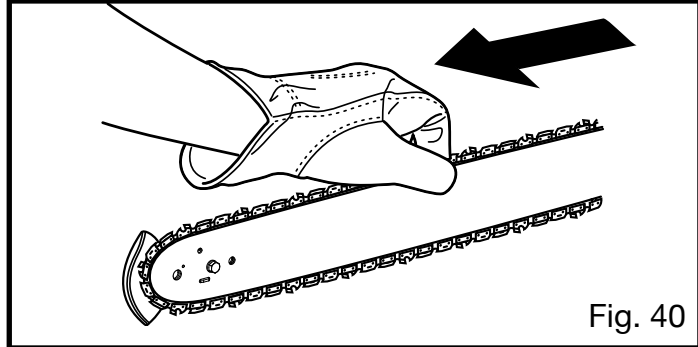


Fig. 40

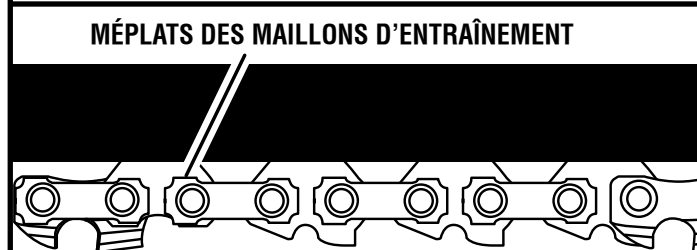


Fig. 41

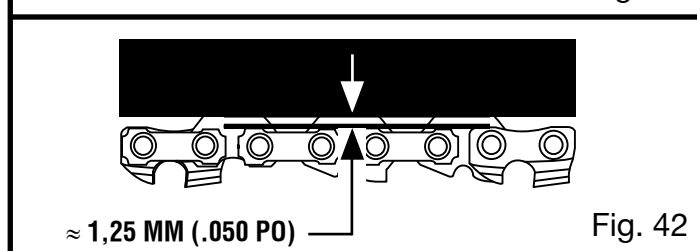


Fig. 42

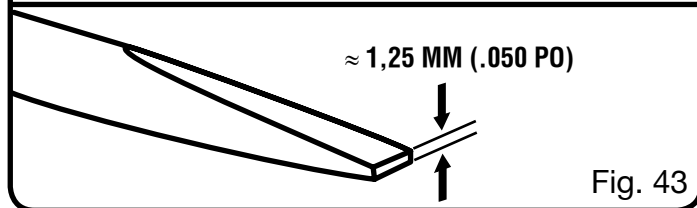


Fig. 43

ou de dommages aux endroits indiqués, faire remplacer le pignon dans un centre de réparation qualifié.

**NOTE :** Si les instructions d'affûtage de la chaîne ne sont pas bien comprises confier l'affûtage de la chaîne à un centre de réparations qualifié ou la remplacer par une chaîne à rebond réduit recommandée.

## AFFÛTAGE DES DENTS

Voir les figures 46 à 49.

Veiller à limer toutes les dents aux angles spécifiés et à la même longueur, car une coupe rapide ne peut être obtenue qu'avec des dents uniformes.

### **⚠ AVERTISSEMENT :**

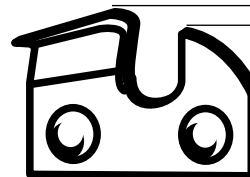
La chaîne est extrêmement tranchante. Toujours porter des gants protecteurs lors de l'entretien de la chaîne, afin d'éviter des blessures graves.

- Tendre la chaîne correctement avant de l'affûter. Voir **Réglage de la tension de chaîne**.
- Utiliser une lime ronde de 4,0 mm (5/32 po), et un porte-lime. Tout le limage doit être effectué au point central du guide.
- Garder la lime de niveau avec la plaque supérieure de la dent. Ne pas incliner la lime ou utiliser un mouvement de bascule.
- Exercer une pression légère mais ferme. Limer en direction du coin avant de la dent.
- Soulever la lime de l'acier à chaque retour.
- Effectuer quelques passes fermes sur chaque dent. Limer toutes les gouges de gauche dans un sens. Ensuite, passer à l'autre côté et limer toutes les gouges de droite dans l'autre sens.
- Éliminer la limaille de la lime au moyen d'une brosse métallique.

### **AVIS :**

Une chaîne émoussée ou incorrectement affûtée peut causer un régime excessif du moteur pendant la coupe et l'endommager gravement.

JEU DU LIMITEUR DE PROFONDEUR



0,6 MM  
(0,025 PO)

Fig. 44

INSPECTER  
LE PIGNON  
D'ENTRAÎNEMENT

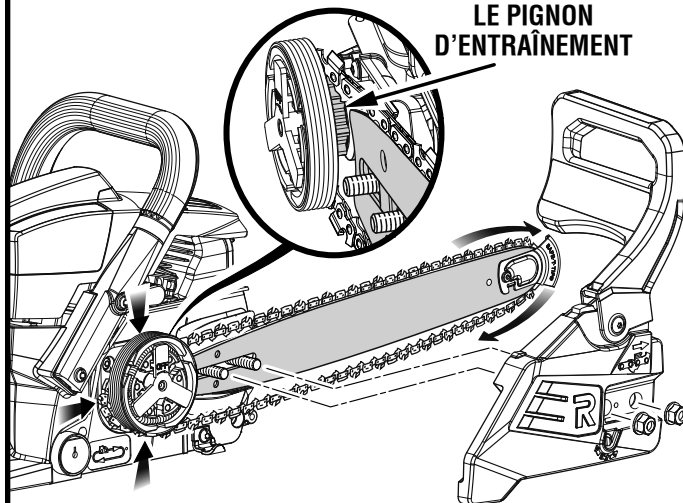


Fig. 45

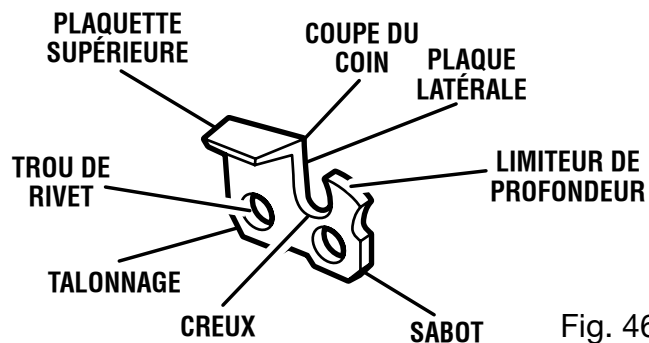


Fig. 46

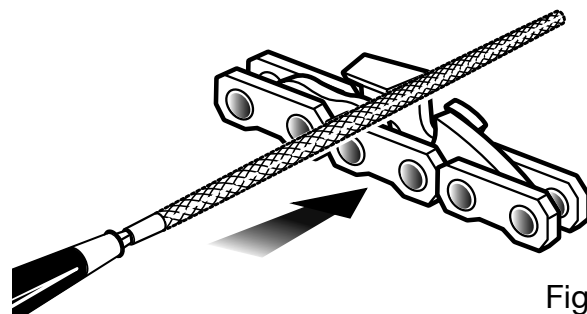


Fig. 47

## ⚠ AVERTISSEMENT :

Un affûtage incorrect de la chaîne accroît le risque de rebond ce qui peut causer des blessures graves.

## ⚠ AVERTISSEMENT :

L'utilisation d'une chaîne endommagée peut causer des blessures graves.

## ANGLE D'AFFÛTAGE DE LA PLAQUE SUPÉRIEURE

Voir la figure 50.

- CORRECT 30° – Les porte-limes sont dotés de repères permettant d'aligner la lime correctement, de façon à obtenir un angle de plaque supérieure satisfaisant.

## ANGLE DE PLAQUE LATÉRALE

Voir la figure 51.

- CORRECT 80° – Obtenu automatiquement si une lime de diamètre approprié est placée dans le porte-limes.
- CROCHET – « Accroche » le bois et s'émousse rapidement, ce qui accroît le risque de REBOND. Résulte de l'emploi d'une lime de trop petit diamètre ou d'une lime tenue trop bas.
- ANGLE ARRIÈRE – Nécessite une pression d'attaque excessive, causant l'usure prématurée du guide et de la chaîne. Résulte de l'emploi d'une lime de trop grand diamètre ou d'une lime tenue trop haut.

## MAINTIEN DU JEU DU LIMITEUR DE PROFONDEUR

Voir les figures 52 à 54.

- Le jeu du limiteur de profondeur doit être maintenu à 0,6 mm (0,025 po). Utiliser une jauge de profondeur pour vérifier le jeu du limiteur.
- Vérifier le jeu du limiteur de profondeur lors de chaque affûtage de la chaîne.
- Utiliser une lime plate et un coupleur pour limer tous les limiteurs de profondeur uniformément. Utiliser un coupleur de limiteur de 0,6 mm (0,025 po). Après avoir abaissé chaque limiteur de profondeur, lui rendre sa forme d'origine

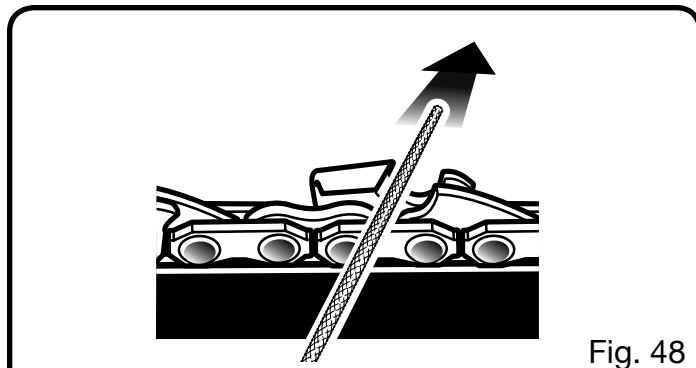


Fig. 48

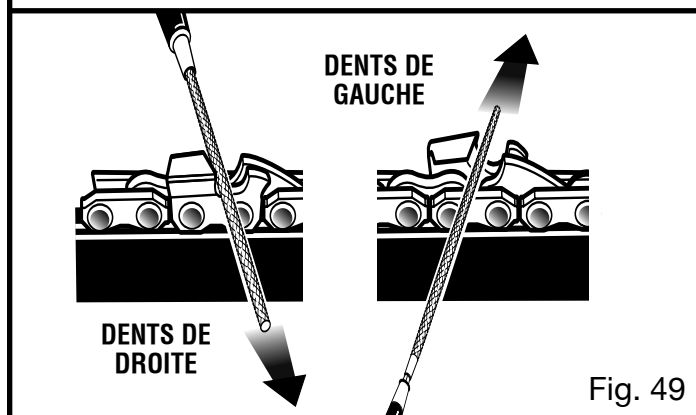
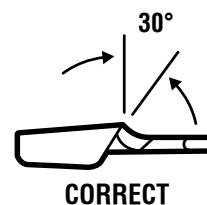


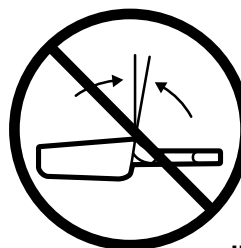
Fig. 49

## ANGLE D'AFFÛTAGE DE LA PLAQUE SUPÉRIEURE

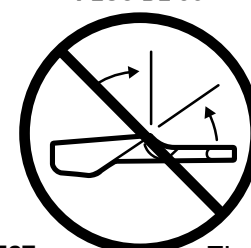


CORRECT

MOINS DE 30°



PLUS DE 30°



INCORRECT

Fig. 50

# ENTRETIEN

en arrondissant l'avant. Veiller à ne pas endommager les maillons d'entraînement adjacents avec le bord de la lime.

- Les limiteurs de profondeur doivent être ajustés avec la lime plate, dans le sens dans lequel les dents adjacentes ont été affûtées avec la lime ronde. Veiller à ne pas toucher la face de la gouge avec la lime plate lors de l'ajustement des limiteurs de profondeur.

## ENTRETIEN DU GUIDE

Voir la figure 55.

### ⚠ ATTENTION :

S'assurer que la chaîne s'est immobilisée avant d'entreprendre tout travail sur la scie.

Un entretien adéquat maximisera la durée de vie utile du guide.

### Chaque journée d'utilisation :

Nettoyez et inspecté Le guide en vue d'usure ou de dommage. Les amincissements et ébarbures sur les rails du guide font partie de l'usure normale, mais ces défauts doivent être limés dès qu'ils apparaissent.

### Chaque semaine d'utilisation :

- Inverser le guide sur la chaîne, afin de répartir l'usure.
- Lubrifier la roue dentée à l'extrémité du guide en insérant un pistolet graisseur dans le trou de lubrification.
- Retourner le guide et s'assurer que les trous de lubrification et la rainure de chaîne sont propres.

**Un guide présentant l'un ou plusieurs des défauts ci-dessous doit être remplacé :**

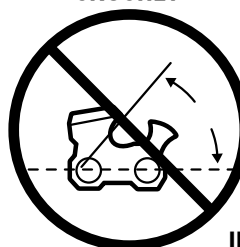
- Usure de l'intérieur des rails permettant à la chaîne de se coucher sur le côté
- Guide tordu
- Rails fêlés ou brisés
- Rails écartés

### ANGLE D'AFFÛTAGE DE LA PLAQUE LATÉRALE

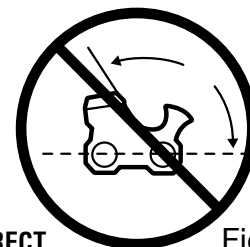


CORRECT

CROCHET



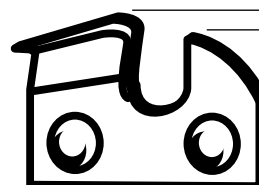
ANGLE ARRIÈRE



INCORRECT

Fig. 51

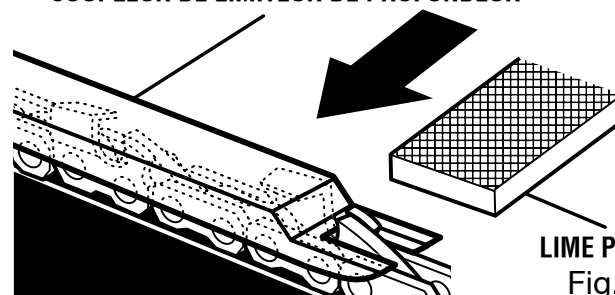
### JEU DU LIMITEUR DE PROFondeUR



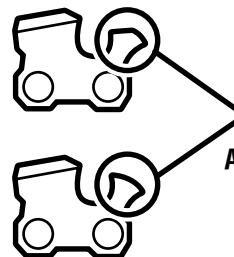
0,6 MM (0,025 PO)

Fig. 52

### COUPLEUR DE LIMITEUR DE PROFondeUR



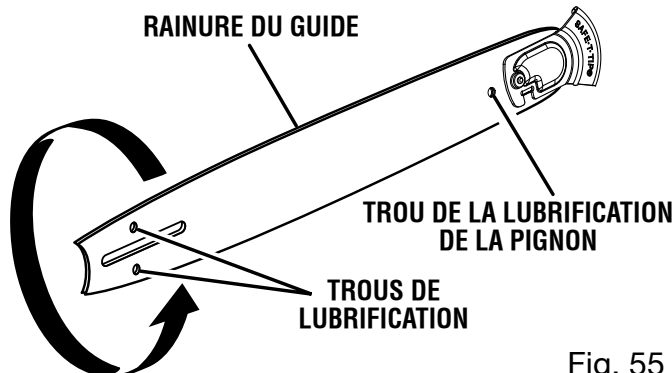
LIME PLATE  
Fig. 53



RENDRE LA FORME  
D'ORIGINE EN  
ARRONDISSANT L'AVANT

Fig. 54

RAINURE DU GUIDE



TROU DE LA LUBRIFICATION  
DE LA PIGNON

TROUS DE  
LUBRIFICATION

Fig. 55

## INSTALLATION DE LA GARDE SAFE-T-TIP

Voir les figures 56 et 57.

- Arrêter le moteur et débrancher le fil de la bougie.
- Installer la garde SAFE-T-TIP sur l'extrémité du guide.
- Engager le tenon de verrouillage dans le fente à évidement du guide.
- Serrer la vis avec la clé jusqu'à ce que sa tête fasse contact.
- Une fois que la tête est en contact, donner 3/4 de tour supplémentaire.
- Vérifier la sécurité de la garde SAFE-T-TIP et sa vis d'assemblage avant chaque utilisation de la scie à chaîne.

## ENTRETIEN DE LA GARDE SAFE-T-TIP

Voir les figures 56 et 57.

### ⚠ ATTENTION :

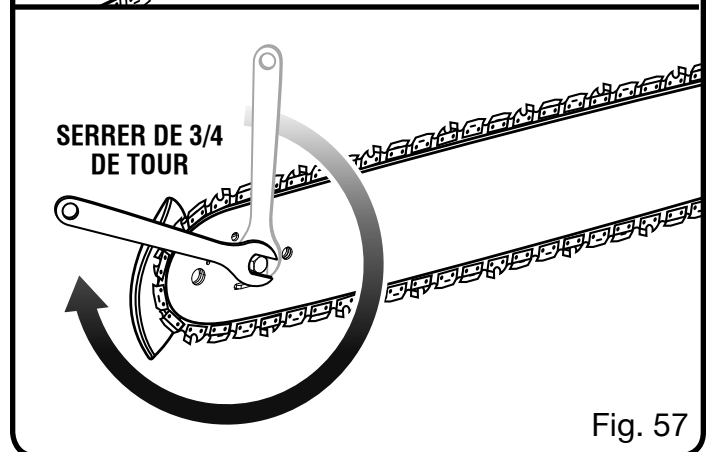
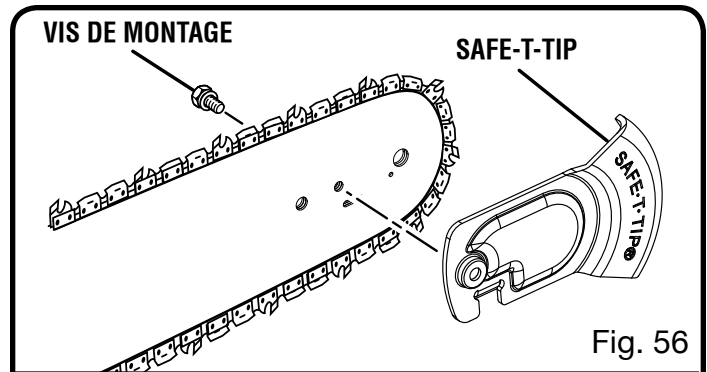
S'assurer que la chaîne s'est immobilisée avant d'entreprendre tout travail sur la scie.

### ⚠ AVERTISSEMENT :

Bien que le dispositif antirebond SAFE-T-TIP ait été installé en usine, vérifier le serrage de sa vis de montage avant chaque utilisation.

Suivre les instructions ci-dessous pour serrer la vis de montage sur la garde. La vis est en acier spécialement trempé. Si la vis ne peut pas être installée correctement, la remplacer, ainsi que le dispositif SAFE-T-TIP avant d'utiliser la scie.

**NOTE :** Ne pas utiliser une vis ordinaire. Utiliser exclusivement des pièces identiques à celles d'origine pour les réparations.



Non seulement le dispositif SAFE-T-TIP empêche l'extrémité du guide de heurter des objets durs, il protège la chaîne des matériaux abrasifs tels que la terre. Le garder du côté droit du guide, afin que la chaîne soit protégée lors des travaux de coupe au ras du sol.

La vis de fixation doit être serrée au moyen d'une clé de 7,9 mm (5/16 po) (ou d'une clé à molette), au couple recommandé de 4 à 5 Nm (35 à 45 lb·pi). Ce couple peut être obtenu de la manière suivante.

- Serrer la vis avec la clé jusqu'à ce que sa tête fasse contact.
- Une fois que la tête est en contact, donner 3/4 de tour supplémentaire.



## NETTOYAGE DU FILTRE À AIR

Voir la figures 58.

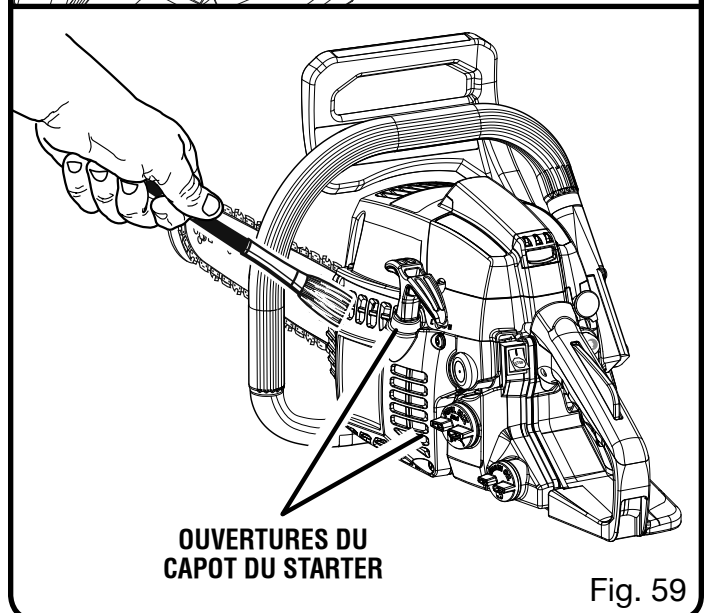
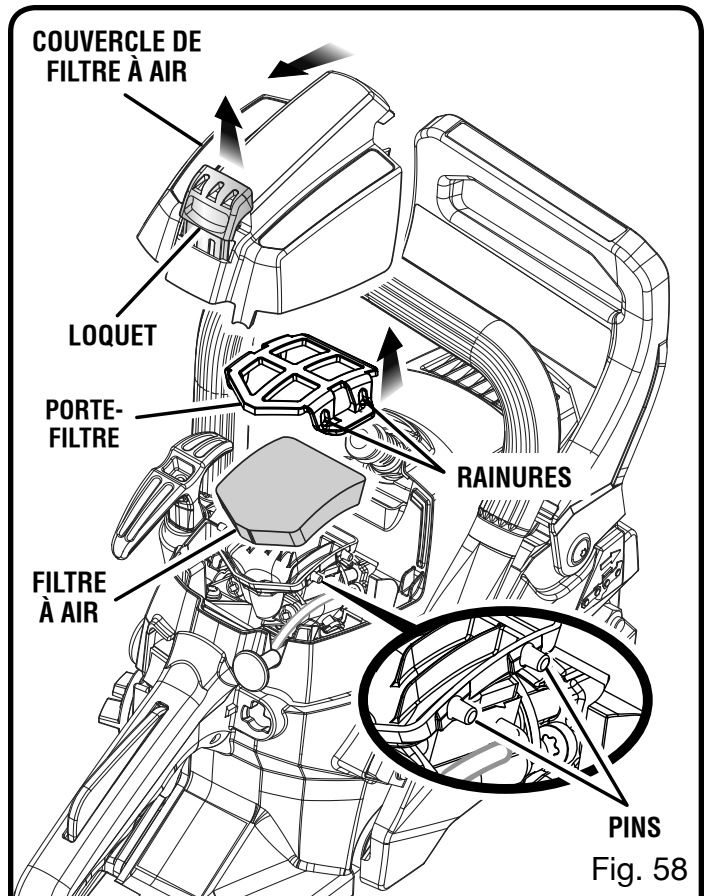
- Engager le frein de chaîne.
- Soulever le loquet pour relâcher le couvercle du filtre à air.
- Glisser le couvercle et le soulever pour le retirer de la scie.
- Retirer le dispositif de retenue du filtre à air en soulevant la poignée située sur le côté droit suffisamment pour faire sortir les goupilles de leurs trous, et ensuite soulever le dispositif de retenue pour le retirer.
- Retirer le filtre à air.
- Laver le filtre avec de l'eau et du savon.
- Bien rincer. Essorer l'excédent d'eau et laisser sécher.
- Réinstaller le filtre à air.
- Réinstaller le dispositif de retenue du filtre à air en s'assurant qu'il est bien fixé par-dessus les quatre goupilles.

### AVIS :

S'assurer que le filtre à air est correctement placé dans le retenue du filtre à air avant de remonter l'ensemble. Ne jamais faire fonctionner le moteur sans le filtre à air, puisque cela peut endommager gravement la scie à chaîne.

- Réinstaller le couvercle de filtre à air en plaçant le couvercle sur la base et en le faisant glisser en position.
- Appuyer sur le loquet pour fixer.

**NOTE :** S'assurer que le couvercle est bien aligné avant d'appuyer sur le loquet pour le verrouiller.



## RÉGLAGE DU CARBURATEUR

Voir les figures 59 et 60.

### **⚠ AVERTISSEMENT :**

La chaîne se déplacera autour du guide de chaîne lors du réglage du ralenti. Porter des vêtements de protection et éloigner les autres personnes, enfants et animaux à une distance d'au moins 15 m (50 pi). Effectuer les réglages en posant l'outil sur une surface stable de manière à éviter tout contact de la chaîne et du guide avec le sol ou tout autre objet. Garder toutes les parties du corps éloigné de la chaîne/guide et de l'échappement. Ne pas suivre ces directives peut causer des blessures graves.

### Avant de régler le carburateur :

- Nettoyer les ouïes d'aération du couvercle du lanceur avec une brosse ou de l'air comprimé.
- Nettoyer du filtre à air. Voir **Nettoyage du filtre à air**, à la section *Entretien* de ce manuel.
- Laisser le moteur se réchauffer avant d'entreprendre le réglage du ralenti.

### **⚠ AVERTISSEMENT :**

Les conditions climatiques et l'altitude peuvent affecter la carburation. Ne permettre à personne de s'approcher de la scie pendant le réglage du carburateur.

**Réglage de la vitesse de ralenti** – La vis de ralenti contrôle le degré d'ouverture du papillon lorsque la gâchette d'accélérateur est relâchée. Réglage :

- Tourner la vis de ralenti « **T** » vers la droite, pour augmenter le régime de ralenti.
- Tourner la vis de ralenti « **T** » vers la gauche, pour réduire le régime de ralenti.

### **⚠ AVERTISSEMENT :**

LA CHAÎNE NE DOIT JAMAIS TOURNER LORSQUE LE MOTEUR EST AU RALENTI. La rotation de la chaîne au ralenti peut causer des blessures graves.

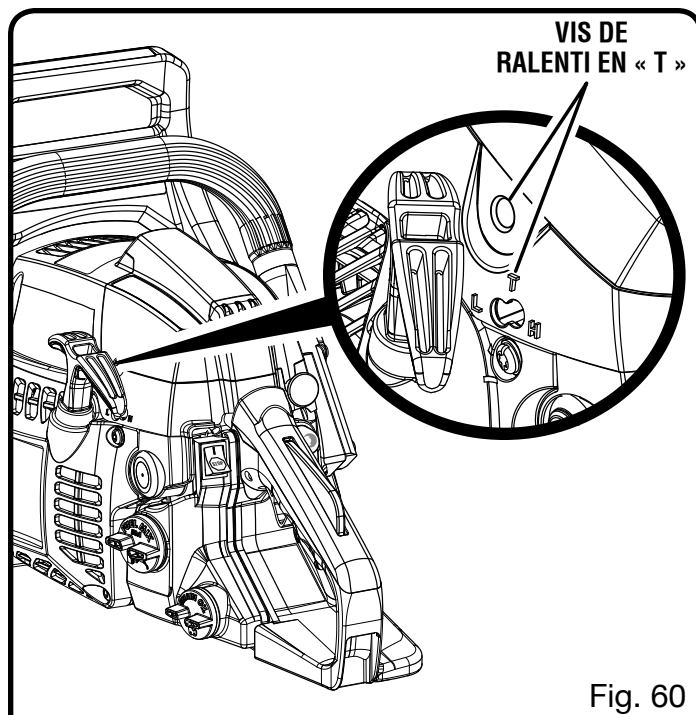


Fig. 60

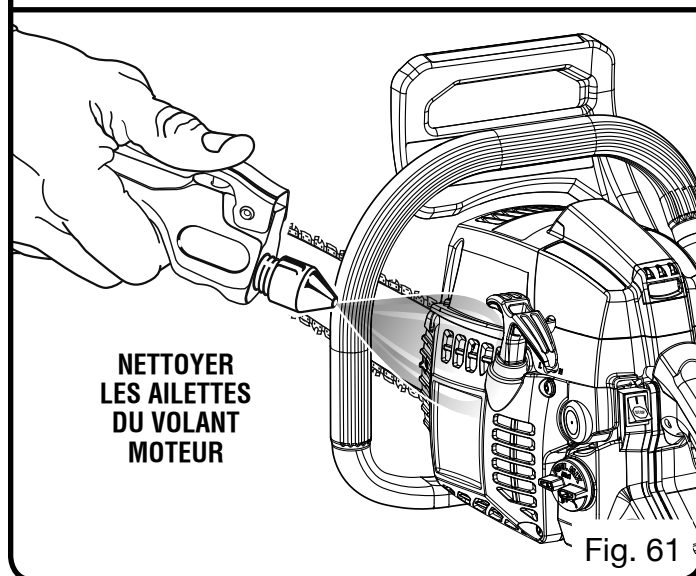


Fig. 61

## NETTOYAGE DU LANCEUR

Voir la figure 61.

Nettoyer les grilles de refroidissement du lanceur avec un pinceau ou de l'air comprimé.

## NETTOYAGE DU MOTEUR

Voir les figures 62 et 63.

Nettoyer périodiquement les ailettes du cylindre et du volant-moteur au moyen d'un jet d'air comprimé. Un cylindre encrassé peut causer une surchauffe dangereuse du moteur.

### **⚠ AVERTISSEMENT :**

Ne jamais utiliser la scie sans que toutes les pièces, y compris le capot du moteur et le boîtier du lanceur soient solidement installées. Manœuvrer la scie si les pièces ne sont pas toutes bien fixées peut causer des blessures graves, voire la mort.

Les pièces pouvant se briser et être projetées, confier les réparations du volant moteur et de l'embrayage à un centre de réparation qualifié.

**NOTE :** Si un outil motorisé semble avoir perdu de la puissance, l'orifice d'échappement et le silencieux peuvent être obstrués par de la calamine. Cette calamine doit être éliminée pour restaurer le fonctionnement correct.

## VÉRIFICATION DU FILTRE À CARBURANT

Voir la figure 64.

Vérifier le filtre à carburant régulièrement. Le remplacer s'il est encrassé ou endommagé.

## REMPACEMENT DE LA BOUGIE

Voir la figure 65.

Ce moteur utilise une bougie Bosch WSR6F ou Torch L7RTC avec un écartement d'électrode de 0,64 mm (0,025 po). Remplacer la bougie toutes les 50 heures de fonctionnement ou plus fréquemment si nécessaires. Remplacer par une bougie identique.

### **AVIS :**

Laisser refroidir le moteur avant de retirer la bougie. Le retrait de la bougie d'un moteur chaud peut entraîner des dégâts importants à la scie à chaîne.

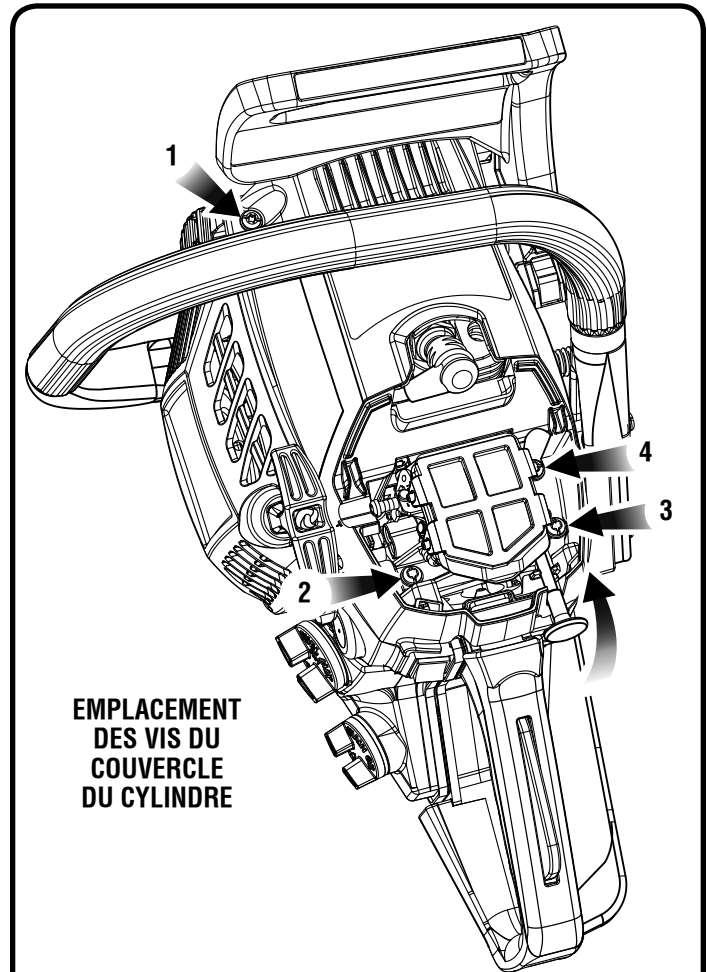


Fig. 62

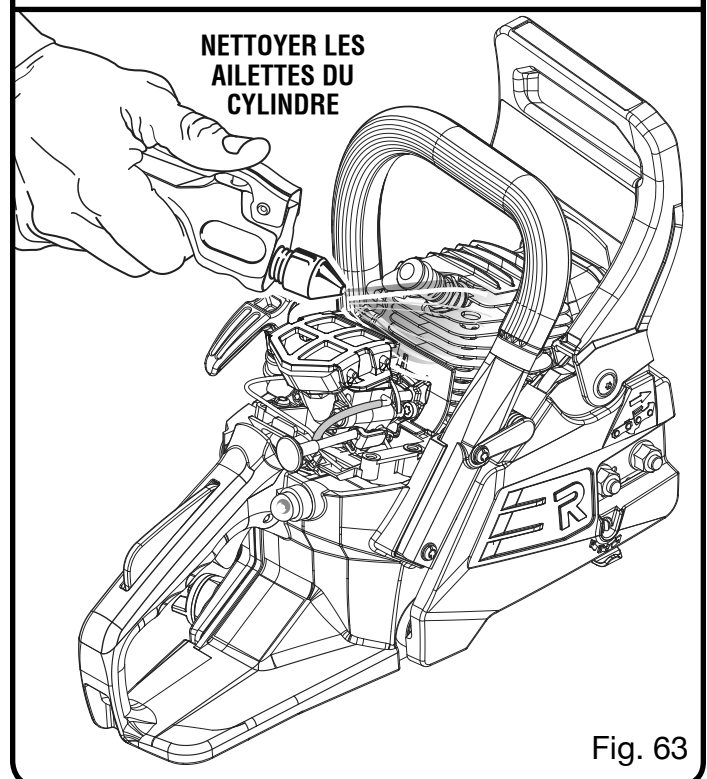


Fig. 63

# ENTRETIEN

- Retirez le couvercle du filtre à air comme décrit dans **Nettoyage du filtre à air** haut dans ce manuel.
- Desserrer la bougie en la tournant vers la gauche, à l'aide d'une clé.
- Retirer la bougie.
- Visser la nouvelle bougie à la main en la tournant vers la droite. Serrer fermement avec une clé à bougie.

**NOTE :** Veiller à ne pas fausser le filetage de la bougie. Ceci endommagerait sérieusement le cylindre.

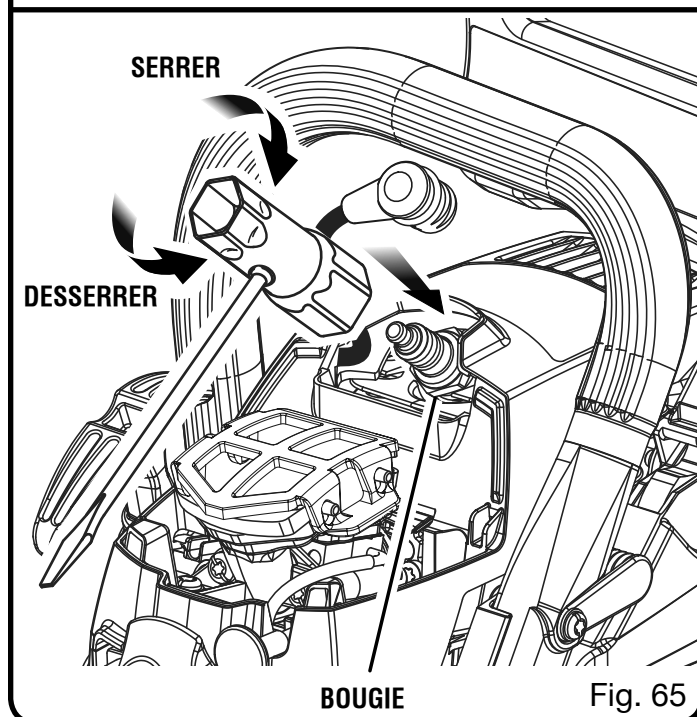
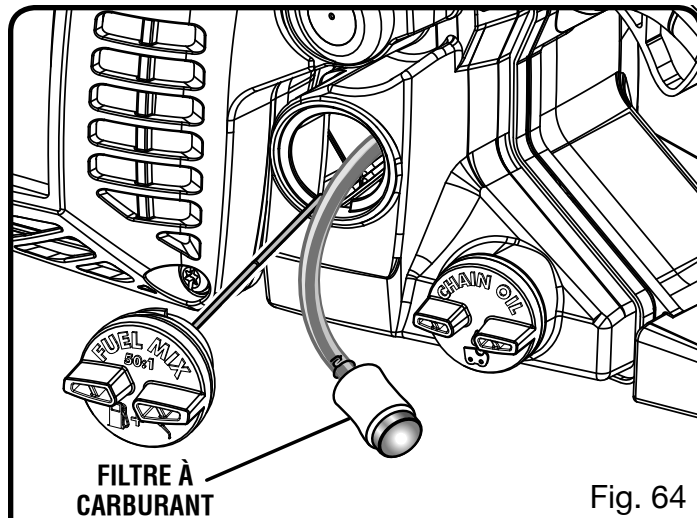
## NETTOYAGE DE L'ORIFICE D'ÉCHAPPEMENT, REMPLACEMENT DU SILENCIEUX ET PARE-ÉTINCELLES

### AVIS :

Ce produit est équipé d'un pare-étincelles qui a été évalué par le Service forestier des États-Unis; cependant, les utilisateurs du produit doivent respecter les réglementations locales et gouvernementales de lutte contre l'incendie. Consulter les autorités appropriées. Contacter le service à la clientèle ou un centre de réparations qualifié pour acheter un pare-étincelles de rechange.

**NOTE :** Suivant le type de carburant utilisé, le type et la quantité de lubrifiant et / ou les conditions de travail, l'orifice d'échappement et le silencieux peuvent se calaminer. Si un outil motorisé semble avoir perdu de la puissance, cette calamine doit être éliminée pour restaurer le fonctionnement normal. Il est vivement recommandé de confier ce travail à un technicien qualifié.

Le pare-étincelles doit être remplacé toutes les 50 heures de fonctionnement pour assurer le fonctionnement correct de l'outil. L'emplacement du pare-étincelles diffère suivant le modèle. Contacter le concessionnaire le plus proche pour connaître l'emplacement du pare-étincelles sur le modèle utilisé.



### ⚠ AVERTISSEMENT :

Ne jamais utiliser la scie à chaîne sans un silencieux équipé d'un pare-étincelles en place. Ne pas prendre cette précaution peut causer un incendie, entraînant des blessures graves.

## INSPECTION ET NETTOYAGE DU FREIN DE CHAÎNE

Voir les figures 66 et 67.

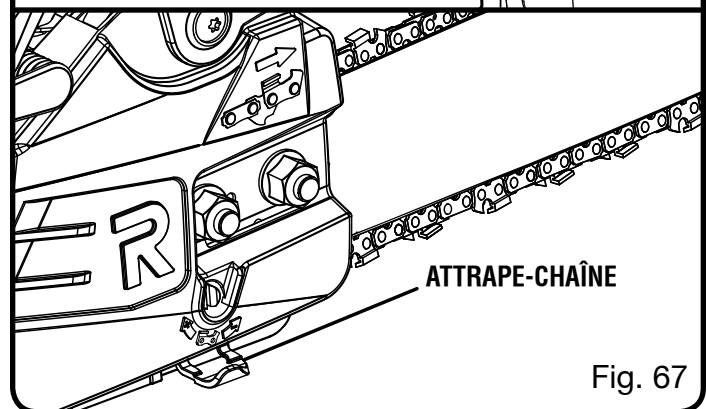
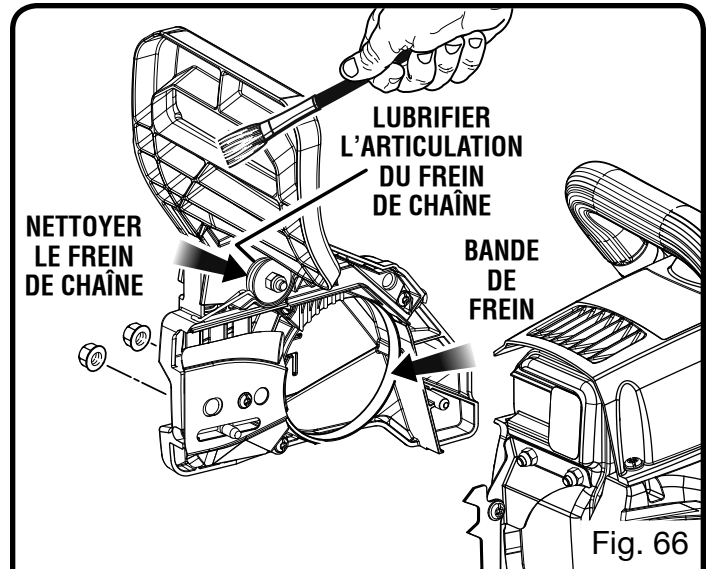
- Retirer le couvercle de l'embrayage et nettoyer les composants du frein de chaîne. Vérifier l'usure de la bande de frein et la remplacer si elle est usée ou déformée. La bande ne doit pas être usée au-delà de 0,61 mm (0,024 po), c'est à dire la moitié de son épaisseur.
- Toujours garder le mécanisme du frein de chaîne propre et lubrifier légèrement son articulation.
- Toujours vérifier le fonctionnement du frein après l'entretien ou le nettoyage. Voir **Utilisation du frein de chaîne**, pour des informations plus détaillées.
- Inspecter l'attrape-chaîne et le remplacer s'il est endommagé.

### **⚠ AVERTISSEMENT :**

Même si le mécanisme est nettoyé quotidiennement, la fiabilité du frein de chaîne dans des conditions de chantier ne peut pas être assurée. Laisser la garde SAFE-T-TIP en place sur le guide de chaîne et utiliser les techniques de coupe appropriées.

## REMISAGE DE LA SCIE À CHAÎNE (1 MOIS OU PLUS)

- Vider complètement le réservoir de carburant dans un bidon ou jerrycan approuvé pour l'essence.
- Laisser le moteur tourner jusqu'à ce qu'il cale. Ceci brûle tout le mélange essence / lubrifiant qui pourrait, en vieillissant, laisser un résidu gommeux dans le circuit de carburant.
- Appuyer plusieurs fois sur la poire d'amorçage pour purger le carburant du carburateur.
- Vider complètement le réservoir d'huile de chaîne et de guide dans un bidon ou jerrycan approuvé pour la lubrifiant.



- Nettoyer soigneusement la scie.
- La remettre dans un endroit bien aéré, inaccessible aux enfants.

**NOTE :** La tenir à l'écart de produits corrosifs, tels que les produits chimiques de jardinage et le sel de dégivrage.

Se conformer à toutes les réglementations locales et gouvernementales concernant la sécurité de la manipulation et de l'entreposage de l'essence. L'excédent de carburant doit être utilisé dans d'autres machines à moteur 2 temps.

# ENTRETIEN

## FONCTIONNEMENT DU MOTEUR À HAUTE ALTITUDE

Ce moteur est configuré en usine pour fonctionner à une altitude inférieure à 609,6 m (2 000 pi). Le moteur doit être reconfiguré s'il doit fonctionner à plus de 609,6 m (2 000 pi) d'altitude. Faire fonctionner le moteur n'ayant pas la configuration requise selon une altitude donnée représente

un risque d'augmentation des émissions, de diminution de la consommation d'essence, d'appauvrir la performance en plus de causer des dommages permanents. Les moteurs configurés pour fonctionner à haute altitude ne peuvent pas être opérés selon des conditions d'altitudes habituelles. Un centre de réparations qualifié devrait pour assurer la bonne configuration du moteur selon l'endroit d'utilisation.

### PROGRAMME D'ENTRETIEN

Pièce d'entretien	Inspecter avant chaque utilisation n'est pas endommagé	Nettoyer toutes le 5 heures de fonctionnement	Remplacer toutes les 25 heures ou chaque année	Reemplácelo cada 50 heures
*ENSEMBLE CATALYTIQUE DU SILENCIEUX.....				X
ÉCRAN PARE-ÉTINCELLES .....				X
*FILTRE À AIR				
includ :				
Filtrant .....				X
*CARBURATEUR				
includ :				
Joints.....				X
*RÉSERVOIR DE CARBURANT				
includ :				
Conduites de carburant.....				X
Bouchon du réservoir de carburant .....				X
Filtre à carburant .....				X
*ALLUMAGE				
includ :				
Bougie .....				X
*AVIS : L'UTILISATION DE DISPOSITIFS ANTIPOLLUTION AUTRES QUE CEUX CONÇUS POUR CET OUTIL REPRÉSENTE UNE VIOLATION DE LA LOI FÉDÉRALE.				

## COMBINAISONS DE GUIDE ET CHAÎNE

**Caractéristiques de la chaîne :** pas de 9,5 mm (3/8 po), calibre de 13 mm (0,050 po), dents bas profil à saut intégral

Longueur du guide	N° de référence du guide	N° de référence de la chaîne	Maillons d'entraînement
45,7 cm (18 po)	312655001	POWERCARE Y62	62

# DÉPANNAGE

Problème	Cause possible	Solution
Le moteur ne démarre pas	<p>Pas d'étincelle.</p> <p>Moteur noyé.</p>	<p>Vérifier la bougie. Retirer le couvercle du filtre à air. Retirer la bougie du cylindre. Rebrancher le fil de la bougie et poser cette dernière sur le cylindre, sa portion métallique touchant le cylindre. Tirer le cordon du démarreur et regarder si une étincelle se produit à l'électrode de la bougie. En l'absence d'étincelle, répéter l'opération avec une bougie neuve.</p> <p>Retirer la bougie. Mettre le bouton de volet de départ en position de MARCHE (complètement enfoncé) et tirer 15 à 20 fois sur le poignée lanceur et corde. Ceci chasse l'excédent de carburant du moteur. Nettoyer la bougie et la remettre en place. Enfoncer et relâcher la poire d'amorçage 10 fois. Le bouton de volet de départ étant en position de MARCHE, tirer trois fois sur le poignée lanceur et corde. Si le moteur ne démarre pas, mettre le bouton de volet de départ en position DEMI OUVERTE et répéter la procédure normale de démarrage. Le moteur ne démarre toujours pas, répéter la procédure avec une nouvelle bougie.</p>
Le moteur démarre, mais n'accélère pas correctement :	Le carburateur nécessite un réglage de bas régime « L ».	Contactez un centre de réparation qualifié pour le réglage du carburateur.
Le moteur démarre, puis cale.	Le carburateur nécessite un réglage de bas régime « L ».	Contactez un centre de réparation qualifié pour le réglage du carburateur.
Le moteur démarre, mais ne tourne pas régulièrement à haut régime.	Le pointeau de haut régime « H » nécessite un réglage.	Contactez un centre de réparation qualifié pour le réglage du carburateur.
Le moteur ne parvient pas au régime maximum et/ou dégage trop de fumée.	<p>Mélange incorrect de carburant et de lubrifiant.</p> <p>Filtre à air encrassé.</p> <p>Le pointeau de haut régime « H » nécessite un réglage.</p>	<p>Utiliser du carburant frais et le bon mélange de lubrifiant 2 temps.</p> <p>Nettoyer le filtre à air voir <b>Nettoyage du filtre à air</b> dans la section <i>Entretien</i> de ce manuel.</p> <p>Contactez un centre de réparation qualifié pour le réglage du carburateur.</p>
Le moteur démarre, tourne et accélère correctement, mais ne tient pas le ralenti.	Le carburateur nécessite un réglage de ralenti.	Tourner la vis de ralenti « T » vers la droite, pour augmenter le régime de ralenti. Voir <b>Réglage du carburateur</b> à la section <i>Entretien</i> de ce manuel.

# DÉPANNAGE

Problème	Cause possible	Solution
La chaîne tourne lorsque le moteur est au ralenti.	Le carburateur nécessite un réglage de ralenti. Fuite d'air dans le système d'admission.	Tourner la vis de ralenti « T » vers la gauche pour réduire le régime de ralenti. Voir <b>Réglage du carburateur</b> à la section <i>Entretien</i> de ce manuel. Contacter un centre de réparation qualifié pour obtenir un kit de remise à neuf.
Le guide et la chaîne chauffent et fument.	Réservoir d'huile vide. Tension de la chaîne excessive. Le graisseur ne fonctionne pas. Colmatage des passages de lubrifiant.	Le réservoir d'huile doit être rempli à chaque approvisionnement en carburant. Pour la tension de chaîne suivre les instructions dans <b>Ajuster la tension de chaîne</b> dans la section <i>Entretien</i> de ce manuel. Laisser le moteur tourner à mi-régime pendant 30 à 45 secondes. Arrêter la scie et regarder si de l'huile s'égoutte de la garde SAFE-T-TIP et du guide. La présence de lubrifiant peut signifier que la chaîne est émoussée ou que le guide est endommagé. En l'absence de toute trace de lubrifiant à la garde SAFE-T-TIP, contacter un centre de réparation qualifié. Retirer le couvercle d'embrayage et la plaque du guide, puis nettoyer les passages de lubrifiant avec une brosse rigide.
Le moteur démarre et tourne, mais la chaîne ne se met pas en rotation.	Frein de chaîne engagé. Tension de la chaîne excessive. Assemblage incorrect de l'ensemble guide et chaîne. Ensemble guide et chaîne endommagé. Dents du pignon d'entraînement endommagées	Desserrer le frein de chaîne. Voir <b>Utilisation du frein de chaîne</b> , à la section <i>Utilisation</i> de ce manuel. Tendre la chaîne conformément aux instructions du chapitre <b>Réglage de la tension de chaîne</b> de la section <i>Entretien</i> de ce manuel. Voir <b>Changement du guide de chaîne et de la chaîne</b> dans la section <i>Entretien</i> de ce manuel S'assurer que l'ensemble guide et chaîne n'est pas endommagé. Contacter un centre de réparation qualifié pour le remplacement du pignon.

Si le problème persiste après avoir essayé les solutions ci-dessus, communiquer avec le Service à la clientèle ou un centre de réparations qualifié le plus proche pour obtenir de l'aide.

## AVIS :

Le propriétaire de cet équipement est tenu d'effectuer les entretiens requis indiqués dans la section *Entretien*. Il est recommandé de conserver tous les reçus d'entretien de votre équipement. La négligence ou l'oubli de procéder à l'entretien requis représente un risque d'augmentation des émissions, de diminuer le rendement énergétique, de nuire à la performance, créer des bris irréparables du moteur et de annuleront la garantie.



## ÉNONCÉ DE LA GARANTIE LIMITÉE

Techtronic Industries North America, Inc., garantit à l'acheteur original que ce produit RYOBI® est exempt de tous vices de matériaux ou de fabrication et s'engage à réparer ou remplacer gratuitement, à son choix, tout produit s'avérant défectueux au cours des périodes indiquées ci-dessous, à compter de la date d'achat.

- Trois ans sur les produits utilisés par des particuliers ;
- 30 jours sur les produits utilisés à toutes autres fins, telles que les travaux commerciaux et la location.

Cette garantie n'est offerte qu'à l'acheteur original et entre en vigueur à la date de l'achat original.

Toute pièce de ce produit jugée, après évaluation raisonnable par Techtronic Industries North America, Inc., comme présentant des vices de matériaux ou de fabrication, sera réparée ou remplacée, sans facturation pour pièces ou main d'œuvre par un centre de réparations agréé pour produits d'extérieur de marque RYOBI® (centre de réparations Ryobi agréé).

Le produit, y compris toutes les pièces défectueuses devront être retournés à un centre de réparations RYOBI agréé, avant expiration de la période de garantie. Les frais d'expédition au centre de réparations pour les travaux sous garantie et de retour au propriétaire du produit seront assumés par le propriétaire. En ce qui concerne les réclamations en garantie, la responsabilité Techtronic Industries North America, Inc., se limitera à la réparation ou au remplacement des produits défectueux et aucune revendication de rupture de garantie ne pourra causer l'annulation ou la résiliation du contrat de vente d'un produit d'extérieur RYOBI® quel qu'il soit. Une preuve d'achat sera exigée par le centre de réparation, afin de valider toute réclamation au titre de la garantie. Toutes les réparations sous garantie devront être effectuées par un centre de réparations agréé.

La garantie sur tout produit d'extérieur RYOBI® utilisé pour la location, des travaux commerciaux ou tout autre usage lucratif, sera limitée à trente (30) jours, à compter de la date d'achat au détail original.

Cette garantie ne couvre pas les produits ayant fait l'objet d'un usage abusif ou négligent, d'un manque d'entretien, ayant été impliqués dans un accident ou employé de façon contraire aux instructions du manuel d'utilisation. Cette garantie ne couvre ni les dommages aux produits résultant d'un manque d'entretien, ni les produits qui ont été altérés ou modifiés. La garantie exclut les réparations rendues nécessaires par l'usure normale ou l'utilisation de pièces et accessoires incompatibles avec le produit d'extérieur RYOBI® ou nuisibles à son bon fonctionnement, ses performances ou sa durabilité. En outre, cette garanti exclut :

- A. Les articles consommables – Boutons d'avance par choc, bobines externes, lignes de coupe, bobines internes, cordons de lanceur, courroies d'entraînement,

dents, rondelles en feutre, axes d'attelage, lames de paillage, ventilateur de soufflante, tubes de soufflage et d'aspiration, sacs à débris, guides, chaînes de scie

- B. Étapes d'entretien comme décrites dans le Programme d'entretien fourni dans votre manuel d'utilisation

Techtronic Industries North America, Inc., se réserve le droit d'apporter des modifications ou améliorations à tout produit extérieur RYOBI®, sans obligation de modifier les produits fabriqués antérieurement.

LA DURÉE DE TOUTES LES GARANTIES IMPLICITES NE SAURAIT EN AUCUN CAS EXCÉDER LA PÉRIODE DE GARANTIE DÉCLARÉE. PAR CONSÉQUENT, TOUTES LES GARANTIES IMPLICITES, Y COMPRIS LES GARANTIES DE VALEUR MARCHANDE OU D'ADÉQUATION À UN USAGE PARTICULIER OU AUTRES SERONT INVALIDÉES À L'EXPIRATION DE LA PÉRIODE DE GARANTIE APPROPRIÉE DE TROIS ANS OU TRENTE JOURS. LES OBLIGATIONS DE TECHTRONIC INDUSTRIES NORTH AMERICA, INC., DANS LE CADRE DE CETTE GARANTIE SE LIMITENT EXCLUSIVEMENT À LA RÉPARATION OU AU REMPLACEMENT DES PIÈCES DÉFECTUEUSES ET TECHTRONIC INDUSTRIES NORTH AMERICA, INC. N'ASSUME OU N'AUTORISE QUICONQUE À ASSUMER QUELQUE AUTRE OBLIGATION QUE CE SOIT. CERTAINS ÉTATS ET PROVINCES NE PERMETTANT PAS DE LIMITATION DE DURÉE DES GARANTIES IMPLICITES, LES RESTRICTIONS CI-DESSOUS PEUVENT NE PAS ÊTRE APPLICABLES. TECHTRONIC INDUSTRIES NORTH AMERICA, INC., DÉCLINE TOUTE RESPONSABILITÉ EN CE QUI CONCERNE LES DOMMAGES DIRECTS, INDIRECTS OU AUTRES, Y COMPRIS, MAIS SANS S'Y LIMITER, LES FRAIS DE RETOUR DE PRODUITS À UN CENTRE DE RÉPARATION RYOBI AGRÉÉ ET DE RENVOI AU PROPRIÉTAIRE, DE DÉPLACEMENT D'UN TECHNICIEN, DE TÉLÉPHONE OU TÉLÉGRAMME, DE LOCATION D'UN PRODUIT SIMILAIRE PENDANT LA DURÉE DES RÉPARATIONS SOUS GARANTIE, DE DÉPLACEMENT, DE PERTES OU DOMMAGES À DES BIENS PERSONNELS, DE MANQUE À GAGNER, DE PERTE D'USAGE DU PRODUIT, DE PERTE DE TEMPS OU DE DÉRANGEMENT. CERTAINS ÉTATS ET PROVINCES NE PERMETTANT L'EXCLUSION OU LA LIMITATION DES DOMMAGES DIRECTS OU INDIRECTS, LES RESTRICTIONS CI-DESSOUS PEUVENT NE PAS ÊTRE APPLICABLES.

Cette garantie donne au consommateur des droits spécifiques, et celui-ci peut bénéficier d'autres droits, qui varient selon les états ou provinces.

Cette garantie couvre tous les produits d'extérieur RYOBI® fabriqués par Techtronic Industries North America, Inc., vendus aux États-Unis et au Canada.

Pour obtenir l'adresse du centre de réparations Ryobi agréé le plus proche, appeler le 1-800-860-4050.

# REGLAS DE SEGURIDAD GENERALES

## **ADVERTENCIA:**

Lea y comprenda todas las instrucciones. El incumplimiento de las instrucciones señaladas abajo puede causar descargas eléctricas, incendios y lesiones serias.

## LEA TODAS LAS INSTRUCCIONES

- **Familiarícese con la herramienta.** Lea cuidadosamente el manual del operador. Aprenda los usos y limitaciones de la sierra, así como los posibles peligros específicos de esta herramienta.
- **Puede ocurrir un contragolpe cuando la punta de la barra guía toca un objeto,** o cuando la madera entra y pellizca la cadena de la sierra en el punto de corte. En algunos casos, el contacto de la pieza de trabajo con la punta de la barra guía puede causar una reacción súbita en dirección inversa, la cual lanza la barra guía hacia arriba y hacia atrás, en la dirección donde se encuentra el operador. El pellizcamiento de la cadena de la sierra en el corte, a lo largo de la parte superior de la barra guía, puede causar un rápido empuje de dicha barra hacia atrás, en la dirección donde se encuentra el operador. Cualquiera de estas dos reacciones puede causar la pérdida de control de la sierra, lo cual a su vez puede producir lesiones corporales serias. No dependa exclusivamente de los dispositivos de seguridad incorporados en la sierra. Como usuario de una motosierra, debe tomar varias medidas para evitar accidentes y lesiones en todos sus trabajos de corte.
  - Con un conocimiento básico del contragolpe de la sierra, puede reducir o incluso eliminar las sorpresas. La sorpresa súbita contribuye a los accidentes.
  - Mantenga sujeta con firmeza la sierra con ambas manos cuando esté funcionando el motor. Coloque la mano derecha en el mango trasero y la izquierda en el mango delantero, rodeando ambos con los pulgares y los dedos restantes. Una sujeción firme con el brazo izquierdo rígido le ayuda a mantener el control de la sierra si ésta llega a dar un contragolpe.
  - Asegúrese de que no haya obstrucciones en el área donde esté cortando. NO permita que la punta de la barra guía entre en contacto con ningún tronco, rama, cerca o cualquier otra obstrucción a la que le pueda pegar al estar operando la sierra.
  - Corte a velocidades altas del motor. Siempre corte con el motor funcionando a plena velocidad. Oprima completamente el gatillo del acelerador y mantenga una velocidad de corte estable.
- No se estire ni corte arriba de la altura del pecho.
- Siga las instrucciones de afilado y mantenimiento del fabricante correspondientes a la cadena de la sierra.
- Sólo utilice barras y cadenas de repuesto especificadas por el fabricante, o su equivalente.
- **No maneje la motosierra con una sola mano.** Si se maneja con una sola mano la unidad, pueden resultar lesionados el operador, los ayudantes y demás personas presentes. La motosierra está hecha para ser manejada con las dos manos.
- **No maneje la motosierra cuando esté cansado.** La fatiga causa descuido. Nunca utilice la motosierra cuando esté cansado, enfermo, alterado o se encuentre bajo los efectos de alguna droga, alcohol o medicamento.
- **Permanezca alerta** - Preste atención a lo que esté haciendo y use el sentido común al utilizar la podadora de pasto. No utilice la podadora cuando esté cansado, molesto o bajo la influencia de drogas, alcohol o medicamentos. Un momento de descuido al utilizar la podadora de pasto puede causar lesiones serias.
- **El trabajo con la motosierra puede ser agotador.** Si tiene algún problema médico que pueda agravarse o alguna discapacidad que pueda impedirle utilizar y controlar la motosierra de modo seguro, consulte a su médico antes de usarla.
- **Use calzado de seguridad.** Póngase ropa ajustada y guantes protectores, así como dispositivos de protección para los ojos, los oídos y la cabeza.
- **La ropa protectora pesada puede aumentar la fatiga del operador, lo cual puede originar un golpe de calor.** En climas cálidos y húmedos, el trabajo pesado debe programarse para las primeras horas de la mañana o las últimas horas de la tarde, cuando las temperaturas son más bajas.
- **No se pare sobre ninguna superficie inestable** mientras utiliza la motosierra, como las escaleras, andamios, árboles, etc.
- **Tenga precaución al manejar combustible.** Aleje la motosierra por lo menos 9 metros (30 pies) del lugar de reabastecimiento de combustible antes de arrancar el motor.
- **No permita que otras personas estén cerca de la motosierra al arrancar o accionar la misma para cortar.** Mantenga a los circunstantes y a los animales alejados del área de trabajo.
- **No comience a cortar hasta que tenga despejada el área de trabajo,** una postura firme y una trayectoria de retirada planeada de la caída del árbol.

## REGLAS DE SEGURIDAD GENERALES

- **Mantenga todas las partes del cuerpo alejadas de la cadena de la sierra** cuando esté funcionando el motor.
- **Siempre traslade la motosierra con el motor apagado y el freno puesto**, la barra guía y la cadena de la sierra hacia atrás y el silenciador alejado del cuerpo. Al transportar la motosierra, use la funda correspondiente de la barra guía.
- **No utilice la motosierra si está dañada**, mal ajustada o no está armada completamente y de forma segura. Asegúrese de que la cadena de la sierra deje de moverse cuando se suelte el gatillo de control del acelerador.
- **Apague el motor antes de poner en reposo la sierra.** No deje el motor funcionando desatendido. Como medida de precaución adicional, aplique el freno de la cadena antes de poner en reposo la sierra.
- **Tenga extrema precaución al cortar broza pequeña y árboles jóvenes**, ya que el material delgado puede atraparse en la cadena de la sierra y puede latigear hacia usted o desequilibrarlo.
- **Al cortar una rama que esté bajo tensión**, esté alerta al impulso de regreso de la misma, de manera que no le pegue cuando se libere la tensión presente en las fibras de la madera.
- **Mantenga los mangos secos**, limpios y sin aceite ni mezcla de combustible.
- **No haga arrancar o funcionar el motor en un espacio confinado, de edificio, cerca de ventana abiertas, o en otro área sin ventilación donde se puedan recolectar las emanaciones de monóxido de carbono.** El monóxido de carbono, un gas incoloro, inodoro y sumamente peligroso, puede causar la pérdida de la conciencia o la muerte.
- **No utilice la sierra subido en un árbol**, a menos que haya recibido capacitación específica para hacerlo.
- **No utilice ninguna motosierra subido en un árbol**, en una escalera o en un andamio; es extremadamente peligroso.
- **Todas las tareas de servicio de la motosierra**, aparte de los puntos indicados en el manual de instrucciones y todo el mantenimiento, deben ser efectuadas por técnicos de servicio de motosierras competentes. (Por ejemplo, si se utilizan herramientas inadecuadas para desmontar el volante o para sostenerlo con el fin de retirar el embrague, puede causarse daño estructural al volante, lo cual a su vez puede originar el estallido del mismo.)
- **Siempre tenga un extintor de incendios** al usar una motosierra.
- **Sólo use las barras guía y las cadenas de contragolpe moderado de repuesto** especificadas para la sierra.
- **No adapte la cabeza motriz de la sierra a ningún arco de sierra de mano** ni la use para accionar ningún accesorio o dispositivo no especificado para la sierra.
- **La sierra de gasolina está clasificada por CSA como sierra de Clase 1C (y la eléctrica como sierra de Clase 2C).** Es para uso infrecuente por propietarios de casas, quienes gustan de vacacionar en cabañas y excursionistas, así como para uso general como desmonte, poda, corte de leña, etc. No es para uso prolongado. Los períodos prolongados de manejo de la unidad pueden causar problemas circulatorios en las manos del operador debido a la vibración.
- **Guarde estas instrucciones.** Consúltelas con frecuencia y empléelas para instruir a otros usuarios. Si presta a alguien esta herramienta, facilítele también las instrucciones.

## REGLAS DE SEGURIDAD ESPECÍFICAS

### **ADVERTENCIA:**

Los avisos de advertencia, las etiquetas y las instrucciones encontrados en esta sección del manual del operador son para su propia seguridad. El incumplimiento de cualquiera de las instrucciones puede causar lesiones serias.

- **No corte enredaderas** ni broza pequeña [de menos de 76 mm (3 pulg.) de diámetro].
- **Las superficies del silenciador están muy calientes durante y después del funcionamiento**

**de la motosierra;** mantenga todas las partes del cuerpo alejadas de aquél. Puede causarse quemaduras serias si llega a tocar el silenciador.

- **Siempre sujete la sierra con ambas manos cuando esté funcionando el motor.** Sujete firmemente los mangos de la motosierra, rodeándolos con los pulgares y los dedos restantes.
- **Nunca permita utilizar la sierra a quien no haya recibido instrucciones adecuadas sobre la forma correcta de emplear la unidad.** Esto se aplica tanto a las sierras alquiladas como a las propias.

# REGLAS DE SEGURIDAD ESPECÍFICAS

- **Antes de arrancar el motor**, asegúrese de que no esté tocando ningún objeto la cadena de la sierra.
- **Póngase ropa ajustada.** Siempre póngase pantalones largos gruesos, botas y guantes. No se ponga joyas, pantalones cortos o sandalias, ni ande descalzo. No se ponga ropa holgada, ya que puede ser atraída hacia adentro del motor o puede quedar atrapada en la cadena o en la maleza misma. Póngase overoles, pantalones vaqueros o zahones (chaparreras) hechos de material resistente a los cortes o que contengan partes incorporadas de tal material. Recójase el cabello de manera que le quede arriba del nivel de los hombros.
- **Póngase calzado de seguridad antideslizante y guantes para trabajo pesado** con el fin de mejorar su capacidad de sujeción, y para protegerse las manos.
- **Al utilizar esta herramienta, póngase protección para los ojos con la marca de cumplimiento de la norma ANSI Z87.1, así como protección para los oídos y la cabeza.**
- **Mantenga a los circunstantes y a los animales alejados del área de trabajo.** No permita acercarse a otras personas al arrancar la motosierra o al cortar con la misma.  
**NOTA:** El tamaño del área de trabajo depende de la tarea, así como del tamaño del árbol o de la pieza de trabajo. Por ejemplo, talar un árbol requiere un área de trabajo más grande que otros tipos de cortes (como cortes de tronzado, etc.).
- **Mantenga la protección anticontraGolpe SAFE-T-TIP de la punta de la barra guía debidamente montada en ésta** para evitar un contraGolpe rotatorio.
- **Siga las instrucciones de afilado y mantenimiento** correspondientes a la cadena de la sierra.
- **Nunca utilice la motosierra si está dañada, mal ajustada o no está armada completamente y de manera que funcione de forma segura.** Asegúrese de que la cadena de la sierra deje de moverse cuando se suelte el gatillo de control del acelerador. Si la cadena se mueve estando el motor en marcha lenta, posiblemente necesita ajuste el carburador. Consulte el apartado **Ajuste del carburador** de la sección *Mantenimiento* de este manual. Si la cadena de la sierra aún se mueve al estar el motor en marcha lenta después de haberse efectuado un ajuste, lleve la unidad a un centro de servicio calificado y suspenda el uso de la misma hasta que se efectúe la reparación.
- **Este producto está diseñado para el uso poco frecuente por parte de propietarios y otros**

**usuarios ocasionales** para aplicaciones generales como limpieza, poda, corte de madera de leña, etc. No está diseñado para el uso prolongado. Los períodos prolongados de funcionamiento de la unidad pueden causar problemas circulatorios en las manos del operador debido a la vibración. Para tal uso puede convenir utilizar un producto con características de antivibración.

## REABASTECIMIENTO DE COMBUSTIBLE (¡NO FUME!)

- **Para reducir el riesgo de incendio o de lesiones por quemadura**, maneje con cuidado el combustible. Es sumamente inflamable.
- **Mezcle y guarde el combustible** en un recipiente aprobado para gasolina.
- **Mezcle el combustible al aire libre**, donde no haya chispas ni llamas.
- **Busque suelo raso para depositar la unidad, apague el motor y permita que se enfríe** antes de reabastecerlo de combustible.
- **Afloje lentamente la tapa del tanque de combustible** para aliviar la presión y para evitar que se escape combustible por la tapa.
- **Después de reabastecer de combustible la unidad** ponga la tapa y apriétela firmemente.
- **Limpie todo el combustible que se haya derramado de la unidad.** Aléjese por lo menos 9 metros (30 pies) del sitio de reabastecimiento de combustible antes de encender el motor.
- **Nunca intente eliminar el combustible derramado quemándolo** en ninguna circunstancia.




## CONTRAGOLPE

- **El contraGolpe es una reacción peligrosa que puede ocasionar lesiones serias.** No dependa únicamente de los dispositivos de seguridad suministrados con la sierra. Como usuario de una motosierra, debe tomar medidas de precaución especiales para evitar accidentes y lesiones en todos sus trabajos de corte. Vea las secciones *Reglas de seguridad generales* y *Funcionamiento* de este manual, donde encontrará información sobre el contraGolpe y sobre la forma de evitar lesiones corporales serias.
- **PRECAUCIÓN:** El usuario no usará una cadena de repuesto para sierra a menos se haya declarado que ésta cumple con los requisitos de desempeño de contraGolpe en ANSI/OPEI B175.1-2012 sobre ese cabezal motor en especial, o se haya declarado como cadena de repuesto para sierra de contraGolpe moderado según ANSI/OPEI B175.1-2012.







**GUARDE ESTAS INSTRUCCIONES**

# SÍMBOLOS

Las siguientes palabras de señalización y sus significados tienen el objeto de explicar los niveles de riesgo relacionados con este producto.

SÍMBOLO	SEÑAL	SIGNIFICADO
	<b>PELIGRO:</b>	Indica una situación peligrosa, la cual, si no se evita, causará la muerte o lesiones serias.
	<b>ADVERTENCIA:</b>	Indica una situación peligrosa, la cual, si no se evita, podría causar la muerte o lesiones serias.
	<b>PRECAUCIÓN:</b>	Indica una situación peligrosa, la cual, si no se evita, podría causar lesiones menores o leves.
	<b>AVISO:</b>	(Sin el símbolo de alerta de seguridad) Indica la información que se considera importante, pero no relacionada con lesiones potenciales (por ej. en relación a daños a la propiedad).

Es posible que se empleen en esta herramienta algunos de los siguientes símbolos. Le suplicamos estudiarlos y aprender su significado. Una correcta interpretación de estos símbolos le permitirá utilizar mejor y de manera más segura la herramienta.

SÍMBOLO	NOMBRE	DENOMINACIÓN
	Alerta de seguridad	Precauciones para su seguridad.
	Lea el manual del operador	Para reducir el riesgo de lesiones, el usuario debe leer y comprender el manual del operador antes de usar este producto.
	Póngase protección para los ojos, los oídos y la cabeza.	Al utilizar este equipo, póngase protección para los ojos con protección lateral con la marca de cumplimiento de la norma ANSI Z87.1, así como protección para los oídos y la cabeza.
	Evite los cables eléctricos/ Mantenga alejadas a las personas presentes	¡PELIGRO! ¡Riesgo de electrocución! No trabaje a menos de 15 m (50 pies) de cables eléctricos. Durante las operaciones de tala de árboles, mantenga a todos los circunstantes y animales a una distancia mínima de 15 metros (50 pies) o lo menos el doble de la altura de los árboles más altos presentes en el área de la tala.
	Protección SAFE-T-TIP de la punta	La protección SAFE-T-TIP de la punta de la barra guía ayuda a evitar un contragolpe de la sierra.
	Use las dos manos	Sujete y opere la sierra debidamente con ambas manos.

# SÍMBOLOS

Es posible que se empleen en esta herramienta algunos de los siguientes símbolos. Le suplicamos estudiarlos y aprender su significado. Una correcta interpretación de estos símbolos le permitirá utilizar mejor y de manera más segura la herramienta.

SÍMBOLO	NOMBRE	DENOMINACIÓN
	Con una mano	No maneje la motosierra con una sola mano.
	Contacto de la punta de la barra con el material	Evite el contacto del material con la punta de la barra. El contacto con la punta puede hacer que la barra guía se mueva repentinamente hacia arriba y atrás; esto puede causar lesiones graves.
	Superficie caliente	Para reducir el riesgo de lesiones corporales o daños materiales evite tocar toda superficie caliente.
	Contragolpe	¡PELIGRO! ESTÉ ALERTA DE UN POSIBLE CONTRAGOLPE.
	Póngase guantes	Al manejar la motosierra póngase guantes protectores antideslizantes de uso pesado.
	Póngase calzado de seguridad	Cuando utilice este equipo póngase zapatos de seguridad antideslizantes.
	Se prohíbe fumar	Se prohíbe fumar, causar chispas y tener llamas abiertas.
	Monóxido de carbono	Los motores generan monóxido de carbono, el cual es un gas inodoro tóxico y mortal. No los ponga a funcionar en espacios encerrados.
	Gasolina y lubricante	Use gasolina sin plomo para vehículos con un octanaje mínimo de 87 [(R + M)/2]. Este producto está impulsado por un motor de dos tiempos y utiliza una mezcla de gasolina y lubricante para motor de dos tiempos.

# GLOSARIO DE TÉRMINOS

## **Sistema aplicador de aceite automático**

La lubricación es suministrada por el sistema de aplicador de aceite automático. La rueda dentada impulsa al aplicador de aceite y agrega lubricación solo cuando se mueve la cadena.

## **Tronzado**

Es el proceso de cortar transversalmente un árbol o tronco talado en tramos.

## **Freno de la cadena**

Es un dispositivo empleado para detener la cadena de la sierra.

## **Cabeza motriz de la motosierra**

Es la motosierra sin la cadena de aserrar ni la barra guía.

## **Embrague**

Es un mecanismo para conectar y desconectar del mecanismo impulsor el mecanismo impulsado.

## **Rueda dentada de impulsión**

Es la pieza dentada que impulsa la cadena de la sierra.

## **Tala**

Es el proceso de cortar un árbol para derribarlo.

## **Corte trasero de tala**

Es el corte final de la operación de tala de un árbol, el cual se efectúa en el lado opuesto al del corte de muescado.

## **Mango delantero**

Es el mango de soporte situado en la parte frontal de la motosierra, o en esa dirección. Este mango es para la mano izquierda.

## **Protección del mango delantero**

Es una barrera protectora estructural situada entre el mango delantero de una motosierra y la barra guía, normalmente localizada cerca de la posición de la mano en el mango delantero, y algunas veces se emplea como palanca de activación del freno de la cadena.

## **Barra guía**

Es una estructura sólida con un riel, la cual sirve para sostener y guiar la cadena de la sierra.

## **Contragolpe**

Es el movimiento de la barra guía hacia atrás o hacia arriba, o ambos, el cual ocurre cuando la cadena de aserrar, cerca de la parte superior de la punta de la barra guía, toca cualquier objeto como un tronco o rama, o cuando la madera se cierra y pellizca la cadena en la abertura del corte.

## **Contragolpe por pellizco**

Es el rápido empuje de la sierra hacia atrás, el cual puede ocurrir cuando la madera se cierra y pellizca la cadena en movimiento en el corte a lo largo de la parte superior de la barra guía.

## **Contragolpe rotatorio**

Es el movimiento rápido de la sierra hacia arriba y hacia atrás, el cual puede ocurrir cuando la cadena en movimiento, cerca de la parte superior de la punta de la barra guía, toca un objeto como un tronco o una rama.

## **Cadena de contragolpe moderado**

Una cadena de sierra de contragolpe moderado es una cadena que cumple con los requisitos de ANSI/OPEI B175.1-2012 cuando se la prueba según las provisiones especificadas en ANSI/OPEI B175.1-2012.

## **Posición normal de corte**

Son aquellas posiciones adoptadas para efectuar los cortes de tronzado y de tala de árboles.

## **Corte de muescado**

Es un corte en forma de muesca efectuado para dirigir la caída del árbol.

## **Mango trasero**

Es el mango de soporte situado en la parte trasera de la motosierra, o en esa dirección. Es donde normalmente está alojado el acelerador. Este mango es para la mano derecha.

## **Barra guía de contragolpe reducido**

Es una barra guía la cual se ha demostrado que reduce el contragolpe de manera notable.

## **Cadena de repuesto de la sierra**

Es una cadena que cumple con los requisitos relativos al nivel de contragolpe estipulados en la norma ANSI B175.1 al probarse con ciertas sierras de cadena en particular.

## **Protección anti-contragolpe SAFE-T-TIP de la punta**

Es un accesorio que puede suministrarse montado en el extremo de la barra guía, y cuyo objetivo es evitar que la cadena toque la madera en el extremo de la barra guía.

## **Cadena de aserrado**

Es una cadena en forma de collar, con dientes de corte para cortar madera, la cual es impulsada por un rueda dentada y está soportada por la barra guía.

## **Pértiga**

Es un árbol pequeño (un árbol joven) o rama que está doblado o atrapado bajo tensión. Puede saltar hacia atrás rápidamente al cortarse, causando así una situación peligrosa.

# CARACTERÍSTICAS

## ESPECIFICACIONES DEL PRODUCTO

Longitud de la barra ..... 45,7 cm (18 pulg.)  
 Paso de la cadena..... 9,5 mm (3/8 pulg.)  
 Calibre de la cadena..... 1,27 mm (0,050 pulg.)  
 Tipo de cadena..... Dientes de bajo perfil  
 de garganta ancha grande  
 Eslabones de impulsión de la cadena..... 62  
 Rueda dentada de impulsión ..... De 6 dientes

Cilindrada del motor..... 38 cc  
 Marcha lenta  
 del motor..... De 2700 ± 200 r/mín. (RPM)  
 Capacidad del  
 tanque de combustible ..... 308 ml (10,4 oz)  
 Capacidad del tanque de aceite  
 de la cadena ..... 210 ml (7,1 oz)

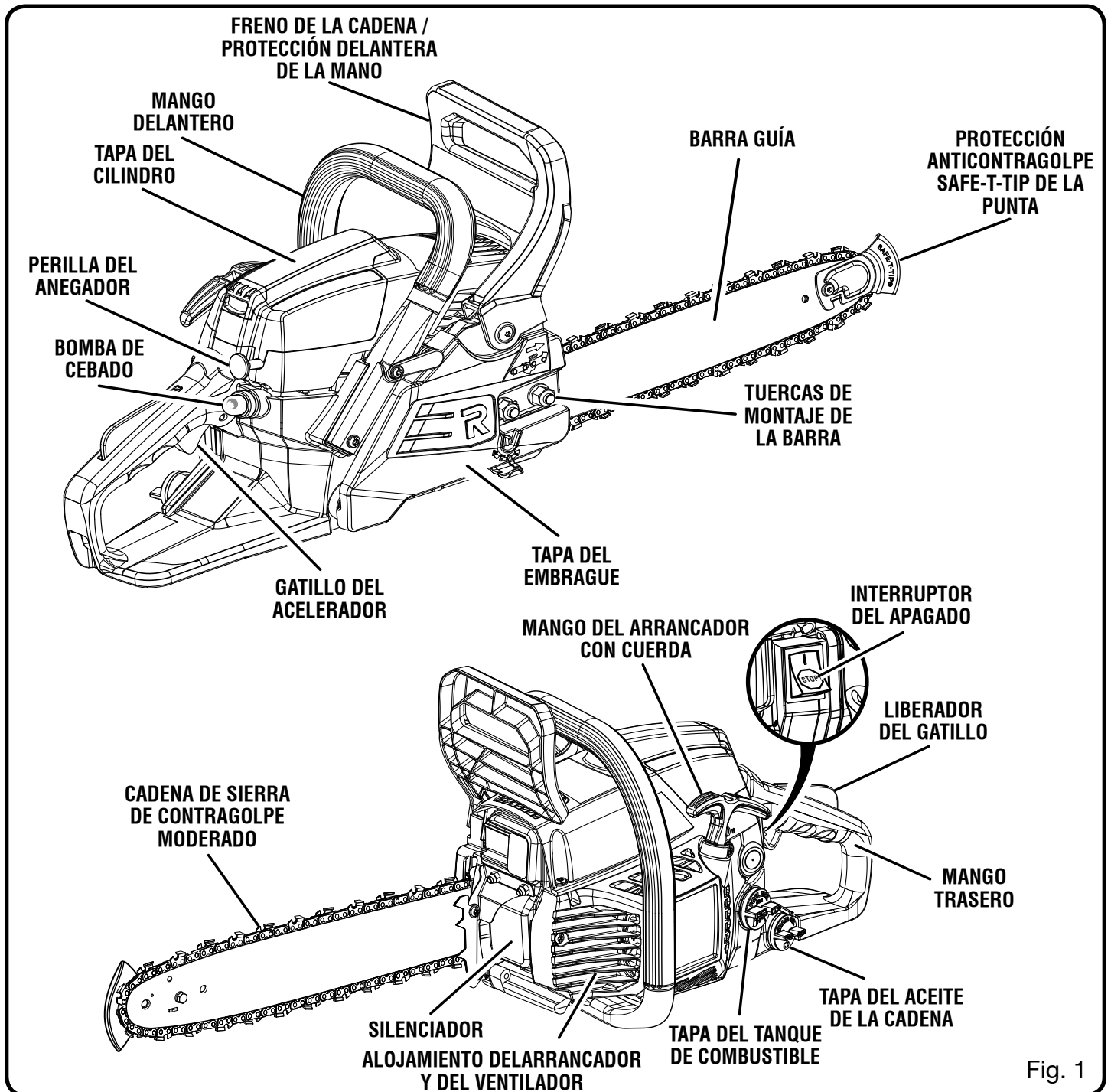


Fig. 1



# CARACTERÍSTICAS

## FAMILIARÍCESE CON LA MOTOSIERRA

*Vea la figura 1.*

Para usar este producto con la debida seguridad se debe comprender la información indicada en la herramienta misma y en este manual, y se debe comprender también el trabajo que intenta realizar. Antes de usar este producto, familiarícese con todas las características de funcionamiento y normas de seguridad del mismo.

## PALANCA DEL ANEGADOR

La perilla del anegador abre y cierra la válvula de anegación situada dentro del carburador. Las posiciones posibles son: ANEGACIÓN MÁXIMA, ANEGACIÓN MEDIA y FUNCIONAMIENTO.

## LLAVE DE COMBINACIÓN

Se incluye una llave de combinación para las diversas tareas de mantenimiento.

## FRENO DE LA CADENA/PROTECCIÓN DELANTERA DE LA MANO

El freno de la cadena tiene el objeto de detener con rapidez el desplazamiento de la cadena. Cuando la palanca del freno de la cadena (la protección de la mano) se empuja hacia la barra, la cadena se detiene de inmediato. El freno de la cadena no evita contragolpes.

## BARRA GUÍA

La barra guía instalada en la fábrica dispone de una punta de radio pequeño, la cual ofrece una capacidad de disminución del contragolpe un poco menor.

## CADENA DE SIERRA DE CONTRAGOLPE MODERADO

La cadena de contragolpe moderado de la sierra reduce al mínimo la fuerza de la reacción de contragolpe al evitar que los dientes de corte se introduzcan demasiado profundamente en la zona de contragolpe.

## BOMBA DE CEBADO

La bomba de cebado sirve para bombear combustible del tanque al carburador.

## PROTECCIÓN ANTI-CONTRAGOLPE SAFE-T-TIP DE LA PUNTA

La punta anticontragolpe SAFE-T-TIP de la punta es un aditamento montado en el extremo de la barra guía cuyo objeto es evitar que la parte de la cadena situada en el extremo de la barra guía toque la madera.

## GATILLO DEL ACELERADOR

El gatillo del acelerador sirve para arrancar la cadena de la sierra, así como para controlar la rapidez de desplazamiento de la cadena.

# ARMADO

## DESEMPAQUETADO

Embarcamos este producto completamente armado.

- Extraiga cuidadosamente de la caja la herramienta y los accesorios. Asegúrese de que estén presentes todos los artículos enumerados en la lista de empaque.

### ADVERTENCIA:

No use este producto si no está totalmente ensamblado o si alguna pieza falta o está dañada. Si utiliza un producto que no se encuentra ensamblado de forma correcta y completa, puede sufrir lesiones graves.

- Inspeccione cuidadosamente la herramienta para asegurarse de que no haya sufrido ninguna rotura o daño durante el transporte.
- No deseche el material de empaque hasta que haya inspeccionado cuidadosamente la herramienta y la haya utilizado satisfactoriamente.
- Si hay piezas dañadas o faltantes, le suplicamos llamar al 1-800-860-4050, donde le brindaremos asistencia.

# ARMADO

## LISTA DE EMPAQUETADO

Motosierra  
Funda  
Llave de combinación  
Lubricante para motor de dos tiempos  
Manual del operador  
Estuche de traslado

### **ADVERTENCIA:**

Si faltan piezas, no utilice esta herramienta sin haber reemplazado todas las piezas faltantes. La inobservancia de esta advertencia puede causar lesiones serias. Usar este producto con falta o está dañada alguna pieza podría tener como resultado herida personal grave.

### **ADVERTENCIA:**

No intente modificar esta herramienta ni hacer accesorios no recomendados para la misma. Cualquier alteración o modificación constituye maltrato el cual puede causar una condición peligrosa, y como consecuencia posibles lesiones corporales serias.

**NOTA:** La motosierra ha sido probada completamente en la fábrica. Es normal encontrar algún leve residuo de lubricante en la sierra. Lea y desprenda todas las etiquetas colgadas y guárdelas con el manual del operador.

# FUNCIONAMIENTO

### **PELIGRO:**

Nunca couper cerca de líneas de corriente, cordón eléctrico o de otras fuentes eléctricas. Si mermeladas de barra y cadena en alguna cordón del eléctrica o líneas, ¡NO TOQUE LA BARRA NI LA CADENA! PUEDE CARGARSE DE ELECTRICIDAD Y SER MUY PELIGROSA. Continúe sujetando las motosierra por el mango trasero, el cual está aislado, o déjela reposar lejos de usted, de alguna forma segura. Desconecte el servicio de corriente eléctrica conectado a la línea o cordón dañado antes de intentar liberar de éste(a) la hoja. Contacte con la barra, la cadena, otras partes conductivas de la motosierra, o viven cordón eléctrico o líneas eléctricas puede producir la muerte por electrocución, una descarga eléctrica o lesiones serias.

### **ADVERTENCIA:**

No permita que su familiarización con las herramientas lo vuelva descuidado. Tenga presente que un descuido de un instante es suficiente para causar una lesión grave.

### **ADVERTENCIA:**

Las superficies del silenciador alcanzan temperaturas muy elevadas tanto durante como después de accionar la motosierra; mantenga todas las partes del cuerpo alejadas del silenciador. Se pueden ocasionar quemaduras graves de entrar en contacto con el silenciador.

### **ADVERTENCIA:**

Siempre póngase protección ocular con la marca de cumplimiento de la norma ANSI Z87.1 junto con protección con protección lateral para los oídos. La inobservancia de esta advertencia puede permitir que los objetos lanzados hacia los ojos y otros provocarle lesiones graves.

### **ADVERTENCIA:**

No utilice ningún aditamento o accesorio no recomendado por el fabricante de este producto. El empleo de aditamentos o accesorios no recomendados podría causar lesiones serias.

# FUNCIONAMIENTO

## **⚠️ ADVERTENCIA:**

Este producto cuenta con un parachispas que ha sido evaluado por el Servicio Forestal del Departamento de Agricultura de EE. UU., sin embargo los usuarios del producto deben cumplir con los reglamentos de prevención de incendios locales, estatales y federales. Consulte a las autoridades que correspondan. Póngase en contacto con el servicio al cliente o un centro de servicio calificado para comprar un parachispas de repuesto.

## **⚠️ ADVERTENCIA:**

Nunca tale un árbol o corte un tronco o una rama cuyo diámetro sea mayor que la longitud de la barra. Únicamente profesionales debidamente capacitados deben realizar estos cortes. Realizar este tipo de cortes puede provocar accidentes y ocasionar graves lesiones personales.

## **AVISO:**

Antes de cada uso, inspeccione todo el producto para detectar partes dañadas, faltantes o sueltas, como tornillos, tuercas, pernos, tapas, etc. Apriete firmemente todos los sujetadores y las tapas y no accione este producto hasta que todas las partes faltantes o dañadas sean reemplazadas. Llame al contacto con el servicio al cliente o con un centro de servicio calificado para recibir asistencia.

## **APLICACIONES**

Esta herramienta puede emplearse para los fines enumerados abajo:

- Operaciones básicas de desramado, tala y corte de madera

## **⚠️ ADVERTENCIA:**

Siempre apague el motor antes de abastecer el combustible. Nunca reabastezca de combustible ninguna máquina con el motor en marcha o caliente. Aléjese por lo menos 9 metros (30 pies) del sitio de reabastecimiento de combustible antes de encender el motor. ¡NO FUME! La inobservancia de esta advertencia puede causar lesiones corporales.

## **COMBUSTIBLE Y REABASTECIMIENTO DEL MISMO**

### **FORMA SEGURA DE MANEJAR EL COMBUSTIBLE**

#### **⚠️ ADVERTENCIA:**

Revise la herramienta para ver si tiene fugas de combustible. Una tapa del tanque de combustible, tanque de combustible o conduites de carburant con fugas constituye un riesgo de incendio y debe reemplazarse inmediatamente. Si encuentra fugas, corrija el problema antes de utilizar la herramienta. De lo contrario puede producirse un incendio, con el consiguiente riesgo de lesiones serias.

- Siempre maneje con cuidado el combustible, ya que es sumamente inflamable.
- Siempre reabastezca la unidad al aire libre y no inhale los vapores del combustible.
- No permita que la gasolina ni el lubricante le toquen la piel.
- Mantenga la gasolina y el lubricante lejos de los ojos. Si la gasolina o el lubricante le tocan los ojos, láveselos de inmediato con agua limpia. Si persiste la irritación, vea a un doctor de inmediato.
- Limpie de inmediato todo combustible derramado.

Consulte el apartado **Reabastecimiento de combustible** de la sección *Reglas de seguridad específicas* de este manual, donde encontrará información de seguridad adicional.

## **COMBUSTIBLES MEZCLADOS CON ETANOL**

#### **AVISO:**

**No utilice combustibles E15 o E85 con este producto. Esto constituye una violación a la ley federal, dañará la unidad y anulará la garantía. Utilice únicamente gasolina sin plomo que contiene hasta 10% de etanol.**

**NOTA:** Para mejorar el rendimiento cuando utilice combustibles mezclados con etanol, le recomendamos el lubricante de pantalla para etanol de 2 tiempos.

# FUNCIONAMIENTO

## MEZCLADO DEL COMBUSTIBLE

Este producto está accionado por un motor de 2 tiempos y requiere el premezclado de gasolina y lubricante para motor de dos tiempos. Mezcle previamente gasolina sin plomo y lubricante para motores de 2 tiempos en un recipiente y de uso aprobado para gasolina. NO mezcle más producto del que pueda utilizar en un período de 30 días.

Combustible recomendado: El motor está certificado para funcionar con gasolina sin plomo destinada para uso automotor.

**NOTA:** Le recomendamos que utilice el lubricante Ethanol Shield de primera calidad para motores de 2 tiempos o cualquier lubricante sintético de alta calidad para motores de 2 tiempos en este producto. Mezcle a razón de 76 ml (2.6 oz.) por galón (EE. UU.). No use lubricante de uso automotor ni lubricante para motores fuera de borda de 2 tiempos.

### LUBRICANTE DE ALTA CALIDAD PARA MOTOR DE DOS TIEMPOS (50:1)



**GASOLINA**

**LUBRICANTE**

1 galón (EU)

2,6 onz.

1 litro

20 cc (20 ml)

## LLENADO DEL TANQUE

Vea la figura 2.

### ⚠ ADVERTENCIA:

La gasolina y sus vapores son altamente inflamables y explosivos. Maneje con cuidado el producto para evitar lesiones personales graves y daños a la propiedad. Manténgalo alejado de fuentes de ignición y llamas abiertas, utilícelo al aire libre únicamente, no fume y limpie los derrames inmediatamente.

- Limpie la superficie situada alrededor de la tapa del combustible para evitar la contaminación del mismo.
- Afloje lentamente la tapa del tanque de combustible.
- Cuidadosamente vierta en el tanque la mezcla de combustible. Evite los derrames.
- Antes de volver a colocar la tapa del tanque de combustible, limpie e inspeccione la anillo "o".

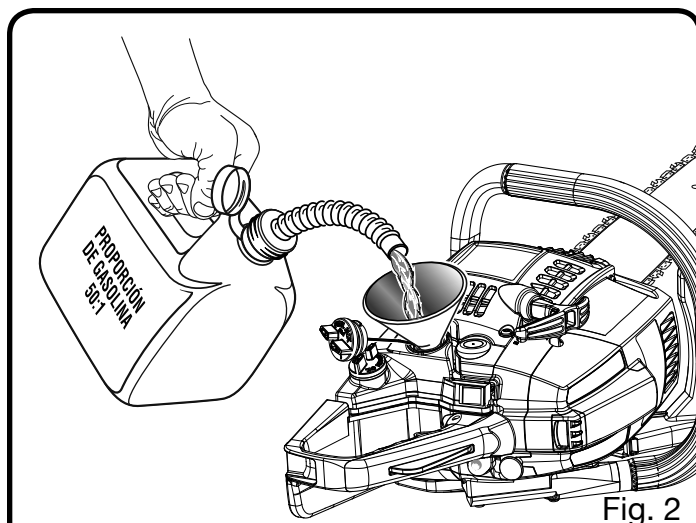


Fig. 2

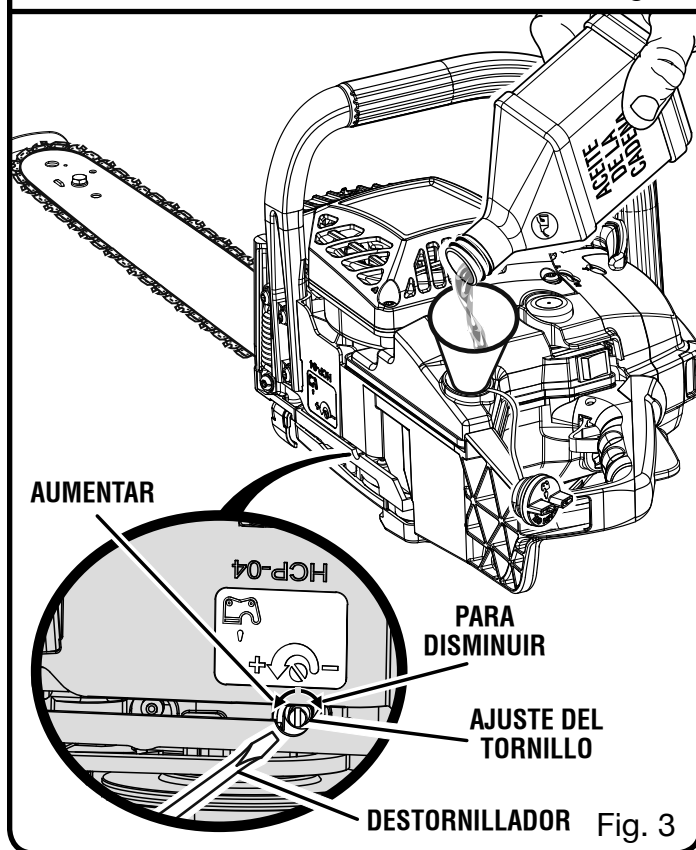


Fig. 3

- Vuelva a colocar inmediatamente la tapa del tanque de combustible y apriételo con la mano. Limpie todo derrame de combustible.

**NOTA:** Es normal la emisión de humo en los motores nuevos durante y después de la primera vez que se usan.

# FUNCIONAMIENTO

## **⚠ ADVERTENCIA:**

Apague siempre el motor antes de reabastecer combustible. Nunca retire la tapa de combustible ni agregue combustible a una máquina mientras el motor esté en funcionamiento o caliente. Asegúrese de que la unidad esté apoyada en una superficie horizontal y nivelada, y solo agregue combustible al aire libre. Si el motor está caliente, deje que el unidad se enfríe durante al menos cinco minutos antes de reabastecer. Vuelva a colocar inmediatamente la tapa del tanque después de reabastecer y apriétela firmemente. Aléjese al menos 9 metros (30 pies) del sitio de carga de combustible antes de poner en marcha el motor. No fume y permanezca lejos de llamas abiertas y chispas! La inobservancia de estas instrucciones podrían provocar un incendio y lesiones personales graves.

## LUBRICANTE PARA LA BARRA Y LA CADENA

Vea la figura 3.

La barra y cadena requieren lubricación continua. La lubricación es suministrada por el sistema aplicador de aceite automático cuando el tanque de aceite está lleno. La falta de lubricante arruinará la barra y cadena rápidamente. Una cantidad muy pequeña de lubricante provocará sobrecalentamiento, que se exhibirá por el humo que sale de la cadena y/o la decoloración de la barra. La lubricación puede aumentarse o disminuirse girando (hasta 1/4 de giro como máximo) el tornillo de ajuste ubicado en la parte inferior del cárter con el extremo del destornillador de la llave de combinación incluida.

## **⚠ ADVERTENCIA:**

NUNCA ajuste el sistema aplicador de aceite automático cuando el motor esté funcionando. La inobservancia de esta advertencia puede causar lesiones personales de gravedad.

## ABASTECIMIENTO DE LUBRICANTE PARA LA BARRA Y LA CADENA

Vea la figura 3.

Utilice una barra y lubricante de cadena formulado para lubricar cadenas de motosierras. Están formulados para prolongar la duración de la barra

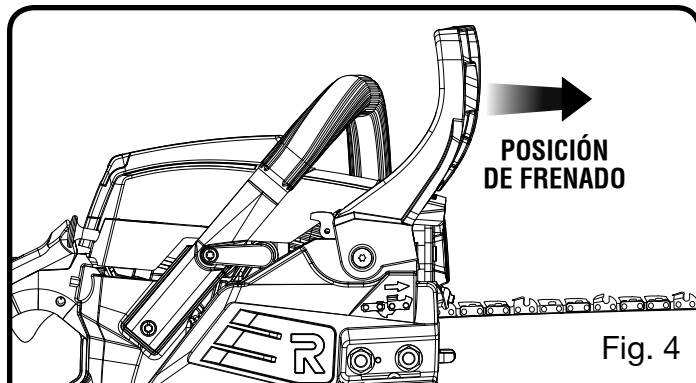


Fig. 4

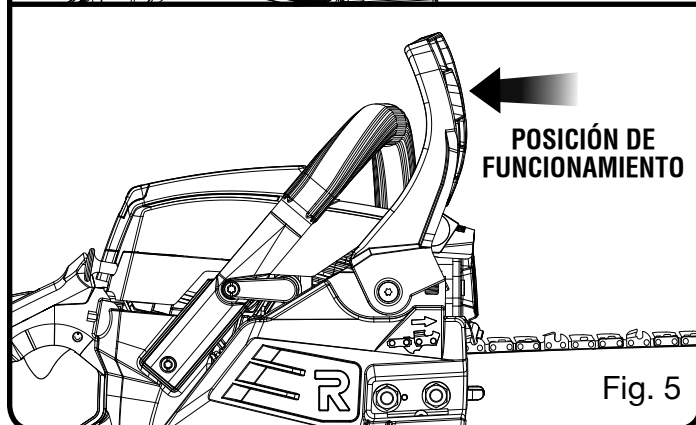


Fig. 5

y la cadena, protegiéndolos contra el desgaste y reduciendo la fricción y el calor. La motosierra debe gastar aproximadamente un tanque de lubricante por cada tanque de combustible.

**NOTA:** No use lubricante sucio, usado o contaminado de ninguna forma. Puede dañarse la bomba de aceite, la barra o la cadena.

- Cuidadosamente vierta el lubricante para la barra y la cadena en el tanque correspondiente.
- Llene el tanque de aceite cada vez que reabastezca de combustible el motor.

## FUNCIONAMIENTO DEL FRENO DE LA CADENA

Vea las figuras 4 y 5.

Verifique las condiciones de funcionamiento del freno de la cadena cada vez antes de usar la unidad.

- Con el dorso de la mano izquierda accione el freno de la cadena; para ello, empuje la palanca del mismo (la protección de la mano) hacia la barra mientras se desplaza con rapidez la cadena.
- Vuelva a poner el freno de la cadena en la posición de FUNCIONAMIENTO; para ello sujete la parte superior de la palanca (la protección de la mano) de dicho freno y tire de la misma hacia el mango delantero hasta que se oiga un chasquido.

# FUNCIONAMIENTO

## **⚠ ADVERTENCIA:**

Si el freno no detiene la cadena de inmediato, o si el mismo no permanece en la posición de funcionamiento sin asistencia, lleve la sierra a un centro de servicio calificado para su reparación antes de volver a usarla.

## **AVISO:**

Antes de cada uso, asegúrese de que la cadena esté tensionada correctamente. Una cadena fría está tensionada correctamente cuando no hay flacidez en la parte inferior de la barra guía, la cadena está ajustada y puede girarse con la mano sin amarrar. Durante el uso normal de la sierra, la temperatura de la cadena aumenta. Los eslabones motrices de una cadena caliente correctamente tensionada colgarán aproximadamente 1,27 mm (0,05 pulg.) por fuera de la ranura de la barra.

Consulte las instrucciones de **Ajuste de la tensión de la cadena** en la sección de *Mantenimiento* de este manual para ajustarla adecuadamente.

## **ARRANQUE DEL MOTOR**

Veá las figuras 6 a 9.

El arranque de la herramienta difiere según si el motor está frío o caliente.

## **⚠ ADVERTENCIA:**

Mantenga el cuerpo a la izquierda del plano de la cadena. Nunca se coloque a horcajadas por encima de la sierra o de la cadena, ni incline el cuerpo a través del plano de la cadena.

- Coloque la motosierra en suelo nivelado, y asegúrese de que no haya objetos ni obstrucciones en la cercanía inmediata que puedan tocar la barra y la cadena. Para evitar que la cadena se desafilé rápidamente, no permita que la barra y la cadena tengan contacto con la suciedad del suelo.
- Sostenga firmemente el mango delantero con la mano izquierda y coloque el pie derecho en la base del mango trasero.

### **Para arrancar con el motor frío:**

- Asegúrese de que el freno de la cadena esté en la posición de funcionamiento; para ello, tire de la palanca (la protección de la mano) hacia atrás.

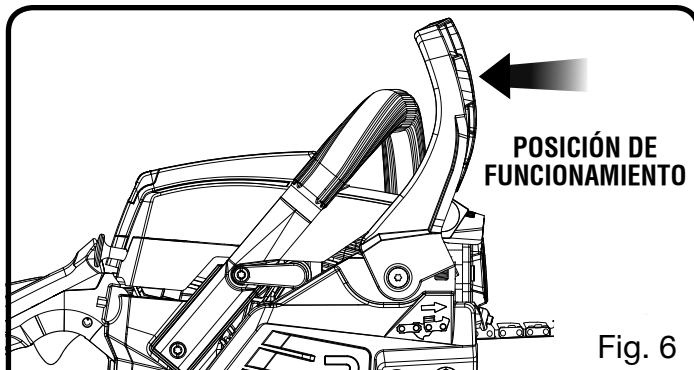


Fig. 6

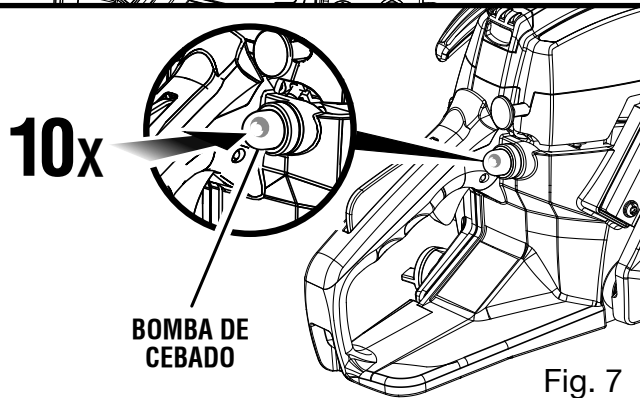


Fig. 7

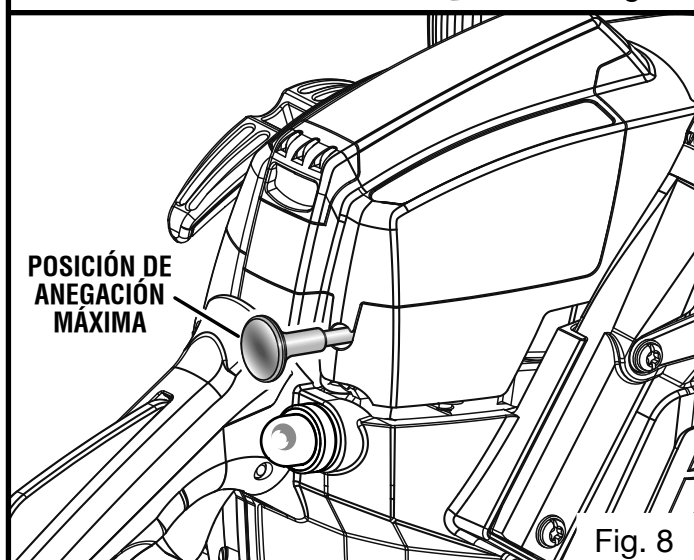


Fig. 8

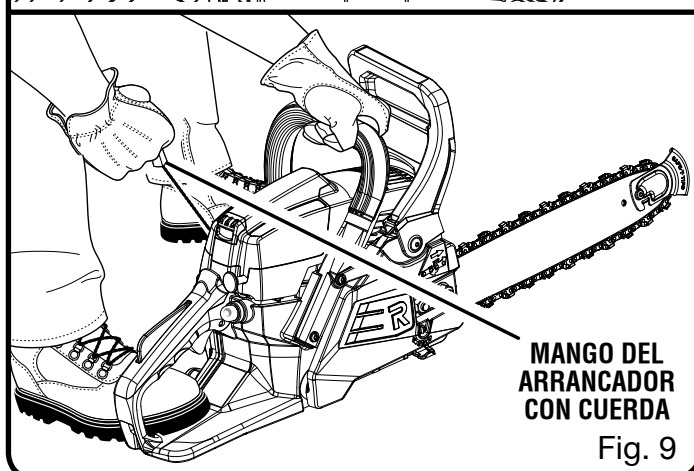


Fig. 9

# FUNCIONAMIENTO

- Tire de la perilla del anegador del carburador completamente hacia afuera, a la posición de **ANEGACIÓN MÁXIMA (|+|)**.
- Oprima hasta el fondo y suelte la bomba de cebado diez veces.
- Tire del mango del arrancador hasta que el motor intente arrancar, pero no más de cinco veces.
- Coloque el interruptor de encendido en la posición de **FUNCIONAMIENTO (⚡)**.
- Tire del mango del arrancador hasta que empiece a funcionar el motor.

## AVISO:

Si no se suelta la aceleración parcial cuando la palanca del freno de la cadena está en la posición de frenado, puede resultar seriamente dañada la unidad. Nunca oprima sin dejar de soltar el gatillo del acelerador mientras el freno de la cadena esté en la posición de frenado.

## Para arrancar con el motor caliente:

- Asegúrese de que el freno de la cadena esté en la posición de funcionamiento; para ello, tire de la palanca (la protección de la mano) hacia atrás.
- Tire del mango del arrancador hasta que empiece a funcionar el motor.

## APAGADO DEL MOTOR

Vea las figuras 10 y 11.

Suelte el gatillo del acelerador y permita que el motor funcione en marcha lenta. Para apagar el motor, presione el interruptor apagado. No deposite la sierra en el suelo mientras aún esté moviéndose la cadena. Para tener un grado adicional de seguridad, ponga el freno de la cadena cuando no esté usándose la sierra.

En el caso de que el interruptor del apagado no detenga la cadena, tire de la perilla del anegador completamente a la posición extendida (**ANEGACIÓN MÁXIMA /|+|**) y accione el freno de la cadena para apagar el motor. Si el interruptor del apagado no detiene la sierra estando puesto en la posición de apagado, permita que reparen el interruptor del apagado antes de usar nuevamente la motosierra para evitar condiciones inseguras y posibles lesiones serias.

**NOTA:** Una vez que termine de utilizar la sierra, siempre alivie la presión de los tanques; para ello,

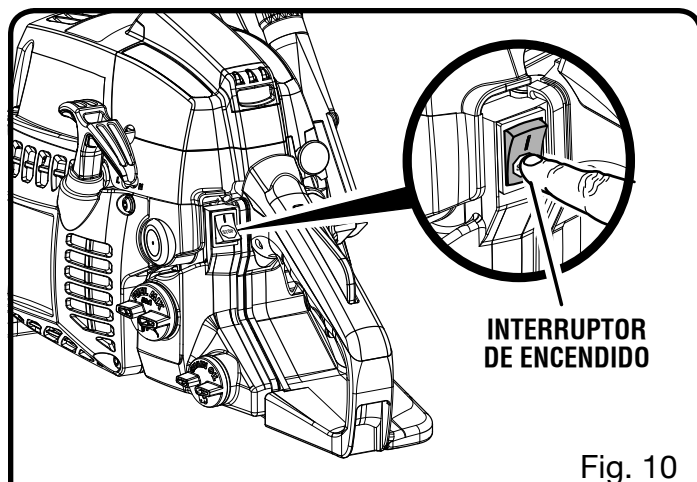


Fig. 10

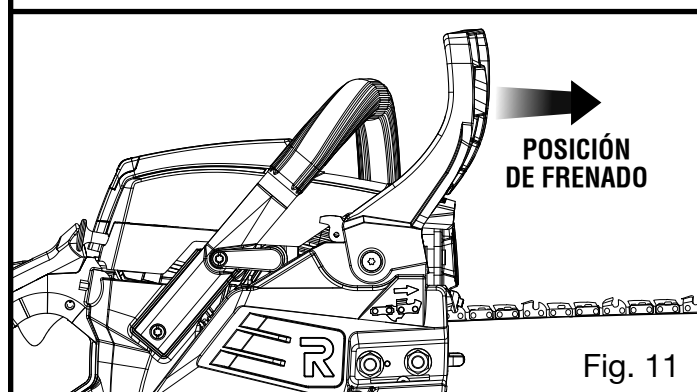


Fig. 11

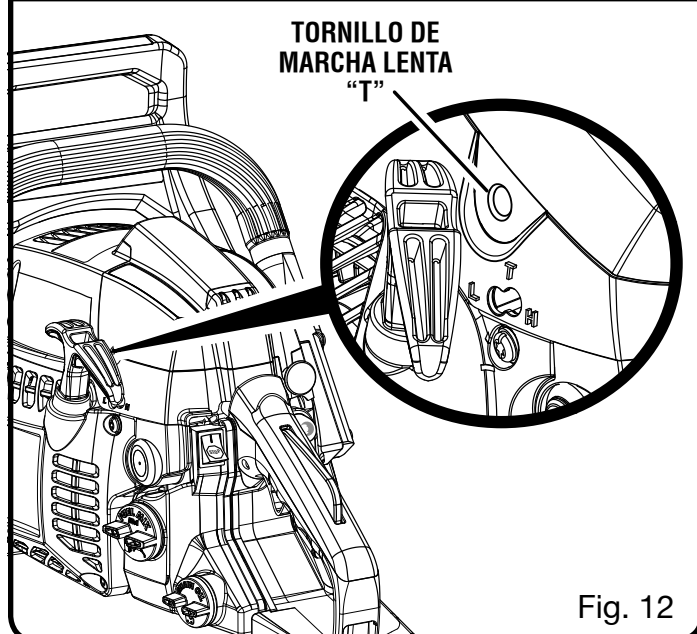


Fig. 12

afloje y vuelva a apretar la tapa del aceite de la cadena y la de la mezcla de combustible. Deje enfriar el motor antes de guardar la unidad.

# FUNCIONAMIENTO

## AJUSTE DE LA MARCHA LENTA

Vea la figura 12.

### ⚠ ADVERTENCIA:

La cadena se moverá alrededor de la barra guía cuando se ajuste la velocidad de marcha lenta. Utilice todas las prendas de protección y no permita la presencia de personas ajenas a la operación, niños ni mascotas a menos de 15 metros (50 pies) de distancia. Efectúe los ajustes con la unidad apoyada sobre una superficie estable de modo que la cadena/barra guía no entre en contacto con el piso ni con ningún objeto. Mantenga todas las partes del cuerpo alejadas de la cadena/barra guía y del silenciador. El incumplimiento de estas instrucciones podría causar lesiones personales de gravedad.

- Si el motor arranca, funciona y acelera, pero no funciona en marcha lenta, gire el tornillo de marcha lenta “T” hacia la derecha para aumentar la velocidad de dicha marcha.
- Si la cadena avanza al estar el motor en marcha lenta, gire el tornillo de marcha lenta “T” hacia la izquierda para reducir la velocidad de dicha marcha y detener el movimiento de la cadena. Si la cadena de la sierra aún se mueve al estar el motor en marcha lenta, lleve la unidad a un centro de servicio calificado para que la ajusten y suspenda el uso de la misma en tanto no se efectúe la reparación.

### ⚠ ADVERTENCIA:

LA CADENA DE LA SIERRA NUNCA DEBE AVANZAR AL ESTAR EL MOTOR EN MARCHA LENTA. Gire el tornillo de marcha lenta “T” hacia la izquierda para reducir dicha marcha y así detener la cadena, lleve la unidad a un centro de servicio calificado para que la ajusten y suspenda el uso de la misma en tanto no se efectúe la reparación. Si la cadena se mueve al estar el motor en marcha lenta, pueden ocurrir lesiones corporales serias.

## EMPUJÓN Y TIRÓN

Vea la figura 13.

La fuerza de reacción de la sierra es siempre opuesta a la dirección en que está moviéndose la cadena. Así, el operador debe estar preparado para controlar

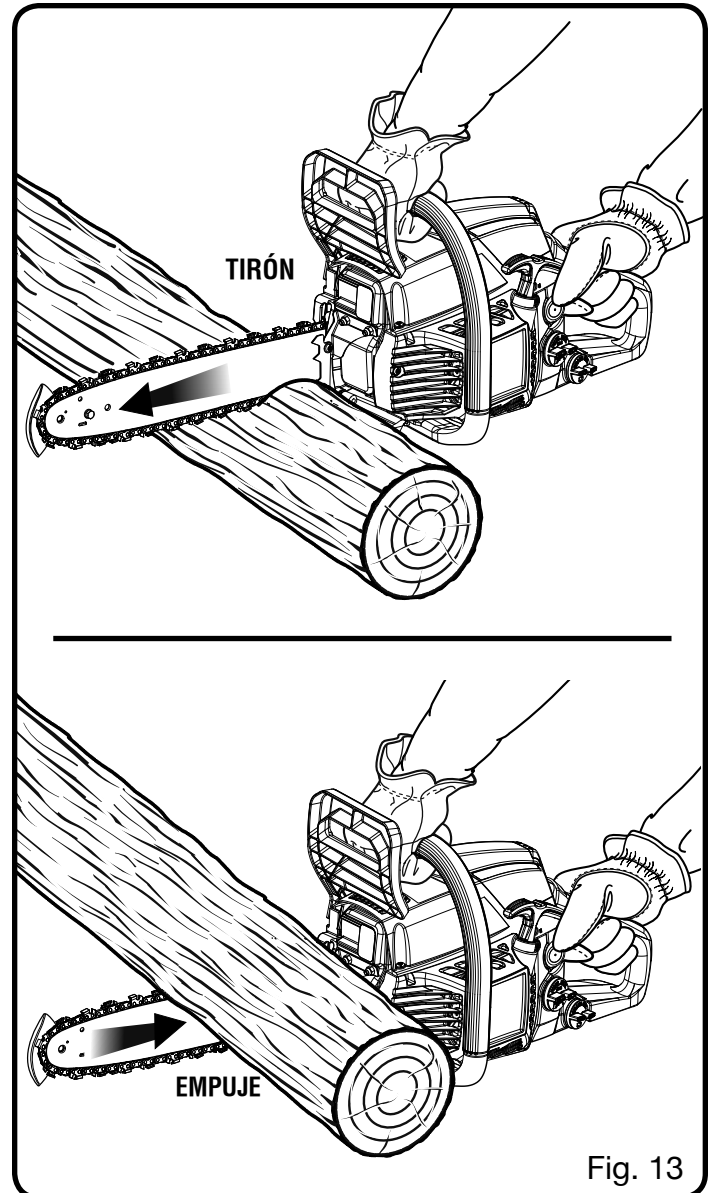


Fig. 13

el TIRÓN al cortar por el borde inferior de la barra guía, y el EMPUJÓN al cortar por el borde superior de dicha barra.

**NOTA:** La motosierra ha sido probada completamente en la fábrica. Es normal encontrar algún leve residuo de lubricante en la sierra.



# FUNCIONAMIENTO

## **⚠ ADVERTENCIA:**

El CONTRAGOLPE ocurre cuando la cadena en movimiento hace contacto con un objeto en la parte superior de la punta de la barra, o cuando la madera entra y pellizca la cadena de la sierra en el punto de corte. El contacto de la parte superior de la punta de la barra con la madera puede causar que la cadena se clave en el material y se detenga instantáneamente. El resultado es una reacción súbita en dirección inversa, la cual lanza la barra guía hacia arriba y hacia atrás, en la dirección donde se encuentra el operador. Si la cadena de la sierra se pellizca en el corte, a lo largo de la parte superior de la barra guía, puede causarse un rápido empuje de dicha barra hacia atrás, en la dirección donde se encuentra el operador. Cualquiera de estas dos reacciones puede originar una pérdida de control, la cual a su vez podría ser causa de lesiones serias.

No dependa exclusivamente de los dispositivos de seguridad incorporados en la sierra. Como usuario de una motosierra, debe tomar las medidas necesarias para evitar accidentes y lesiones en todos sus trabajos de corte. Consulte el apartado *Reglas de seguridad generales*, donde encontrará más información.

## **PRECAUCIONES RELACIONADAS CON EL CONTRAGOLPE**

*Vea las figuras 14 y 15.*

El contragolpe rotatorio ocurre cuando la cadena en movimiento hace contacto con un objeto en la zona de peligro de contragolpe de la barra guía. El resultado es una reacción súbita en dirección inversa, la cual lanza la barra guía hacia arriba y hacia atrás, en la dirección donde se encuentra el operador. Esta reacción súbita puede originar una pérdida de control, la cual a su vez podría ser causa de lesiones serias.

## **PREPARACIÓN PARA EL CORTE**

### **SUJECIÓN CORRECTA DE LOS MANGOS**

*Vea la figura 16.*

Consulte el apartado *Reglas de seguridad generales*, donde encontrará información sobre el equipo de seguridad adecuado.

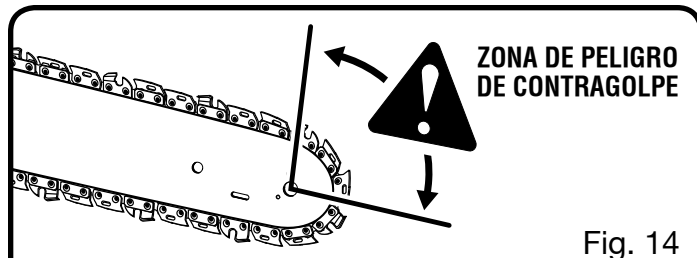


Fig. 14

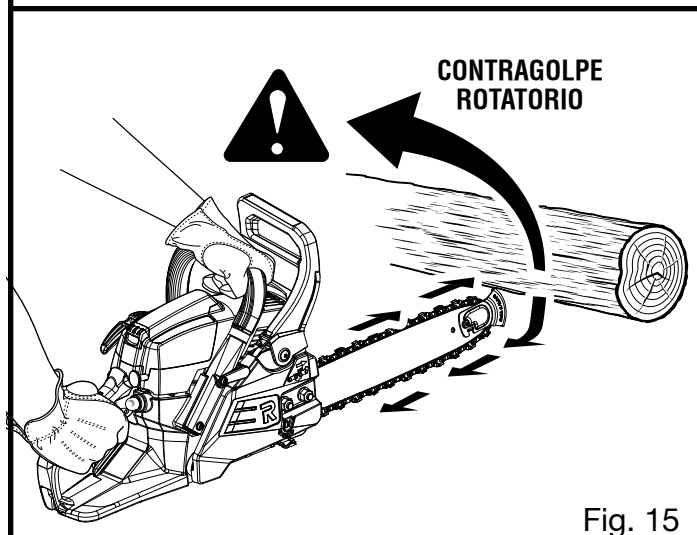


Fig. 15

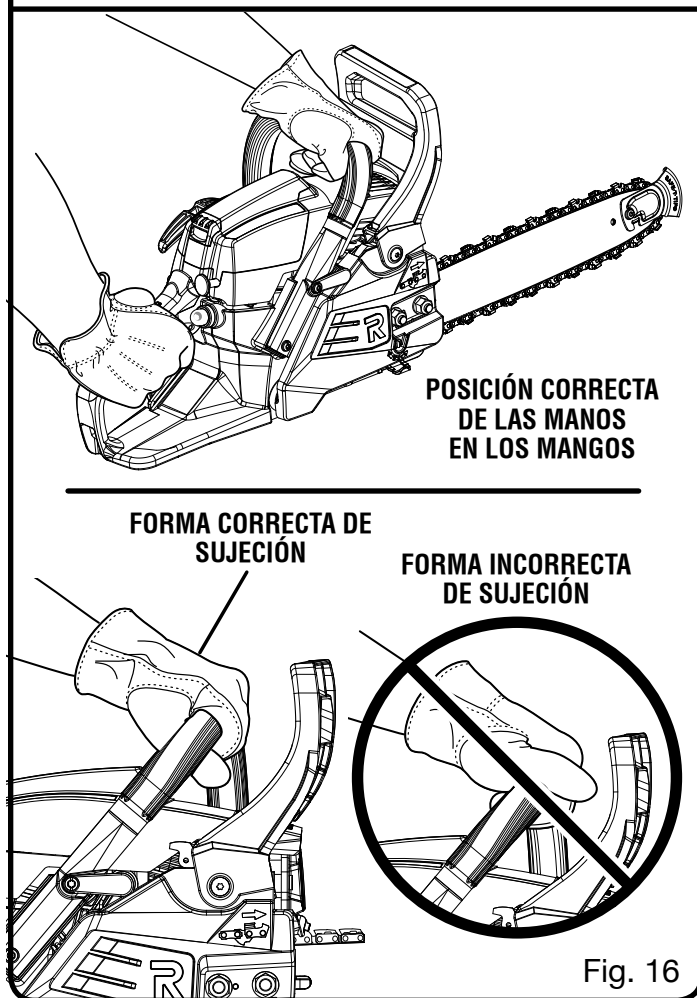


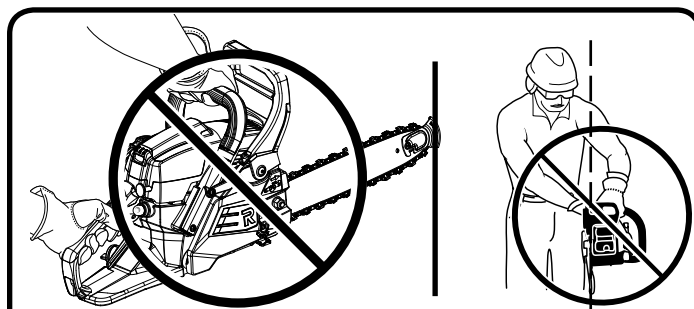
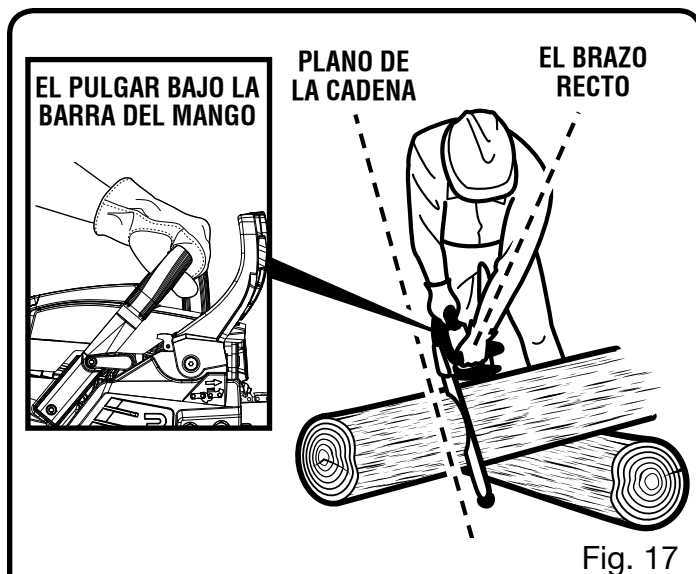
Fig. 16

# FUNCIONAMIENTO

- Póngase guantes antideslizantes para lograr una capacidad de sujeción y protección máximas.
- Sujete la sierra firmemente con ambas manos. Siempre mantenga la mano izquierda en el mango delantero y la mano derecha en el mango trasero, de manera que su cuerpo quede a la izquierda del plano de la cadena.

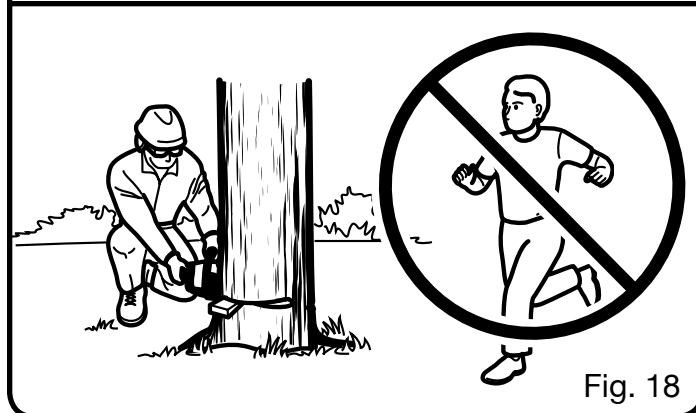
## ⚠ ADVERTENCIA:

Nunca sujete la unidad con la posición de las manos intercambiada, ni con el cuerpo en ninguna postura que pueda colocar el mismo o el brazo a través del plano de la cadena.



## ⚠ ADVERTENCIA:

NO accione el gatillo del acelerador con la mano izquierda, sujetando el mango delantero con la mano derecha. Nunca permita que ninguna parte del cuerpo cruce el plano de la cadena mientras esté funcionando la sierra.



## POSTURA CORRECTA PARA EL CORTE

Vea la figura 17.

## ⚠ ADVERTENCIA:

Utilice siempre la postura de corte adecuada que se describe en esta sección. No se arrodele nunca mientras utilice la motosierra, excepto cuando esté talando un árbol, como se muestra en la figura 22. Si se arrodeja, puede perder la estabilidad y el control de la motosierra y causarse lesiones graves.

- Mantenga una sujeción adecuada de la sierra siempre que esté funcionando el motor. Los dedos deben rodear el mango, con el pulgar doblado bajo la barra del mismo. Esta forma de sujeción es la que tiene menor probabilidad de fallar por un contragolpe o cualquier otra reacción súbita de la sierra. Cualquier forma de sujeción en la cual el pulgar y los dedos restantes están en el mismo lado del mango es peligrosa, debido a que incluso un contragolpe leve de la sierra puede originar la pérdida del control.

- Su peso debe quedar distribuido de forma equilibrada con ambos pies en suelo firme.
- Mantenga el brazo izquierdo con el codo rígido en posición de "brazo recto" para poder tolerar la fuerza de cualquier contragolpe.
- Mantenga el cuerpo a la izquierda del plano de la cadena.
- Mantenga el pulgar bajo la barra del mango.

# FUNCIONAMIENTO

## PRECAUCIONES RELACIONADAS CON EL ÁREA DE TRABAJO

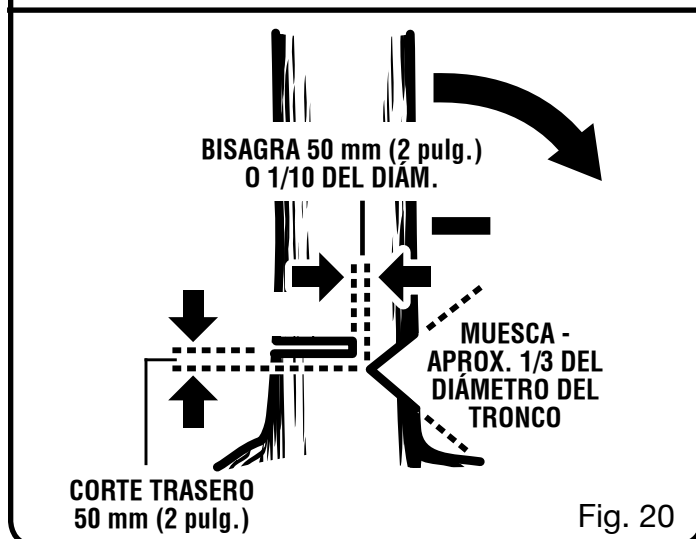
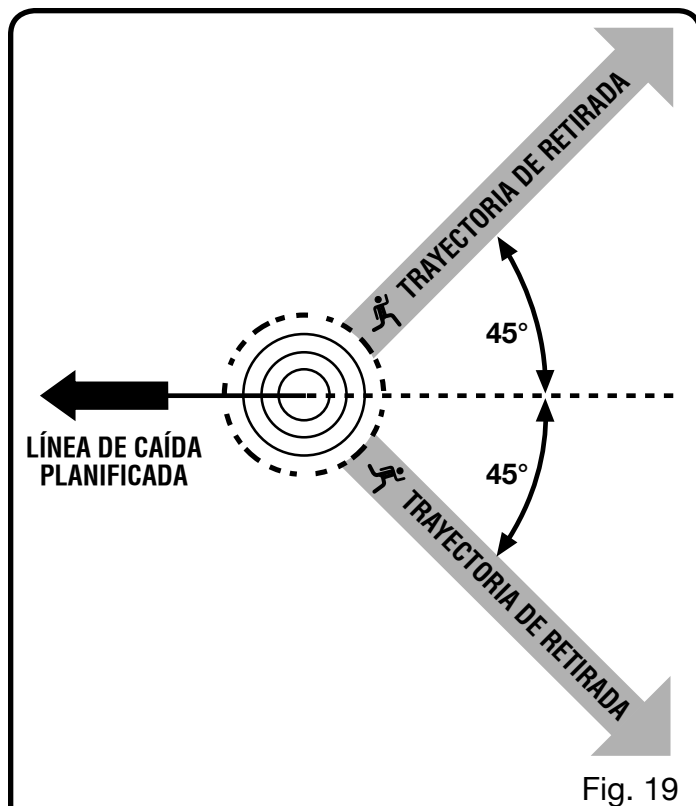
Vea la figura 18.

- Sólo corte madera o materiales hechos de madera; no corte lámina metálica, plásticos, mampostería, ni materiales de construcción que no sean de madera.
- Nunca permita utilizar la sierra a ningún niño. No permita utilizar la sierra a ninguna persona que no haya leído este manual del operador o no haya recibido instrucciones adecuadas sobre la forma correcta de emplear esta motosierra.
- Mantenga a todas las personas, ayudantes, circunstantes, niños y animales a una **DISTANCIA SEGURA** del área de corte. Durante las operaciones de tala de árboles, una distancia segura es por lo menos el doble de la altura de los árboles más altos presentes en el área de la tala. Durante las tareas de tronzado (corte en tramos más pequeños), debe mantenerse una distancia mínima de 4,6 metros (15 pies) entre los trabajadores.
- Siempre corte con ambos pies bien apoyados en suelo sólido para evitar perder el equilibrio.
- No corte arriba de la altura del pecho, ya que si se tiene la sierra más arriba de esa altura, es difícil de controlar bajo la fuerza del contragolpe.
- No tale árboles cerca de cables eléctricos o de edificios. Deje tal operación a los profesionales.
- Corte solamente cuando la visibilidad y la luz sean adecuadas para ver claramente.

## PROCEDIMIENTOS BÁSICOS DE FUNCIONAMIENTO Y CORTE

Practique cortando unos pocos troncos pequeños aplicando la siguiente técnica para acostumbrarse al manejo de la sierra antes de comenzar una tarea de corte de mayores proporciones.

- Adopte una postura correcta del cuerpo frente a la madera, con la sierra en marcha lenta.
- Acelere el motor hasta el punto máximo justo antes de comenzar el corte; para ello, oprima el gatillo del acelerador.
- Inicie el corte poniendo la sierra contra el tronco.
- Mantenga el motor a la máxima aceleración todo el tiempo que esté cortando.
- Permita que la cadena efectúe el corte; sólo aplique una leve presión hacia abajo. Si fuerza



el corte, puede dañarse la barra, la cadena o el motor.

- Suelte el gatillo del acelerador tan pronto como se termine el corte, permitiendo al motor funcionar en marcha lenta. Si hace funcionar la sierra a la aceleración máxima sin estar cortando nada, puede ocurrir un desgaste innecesario de la cadena, de la barra y del motor.
- No aplique presión en la sierra al final del corte.

## TALA DE ÁRBOLES

### CONDICIONES PELIGROSAS

Veá las figuras 19 a 22.

#### **ADVERTENCIA:**

No tale árboles durante períodos de viento o lluvia intensos. Espere hasta que cese el tiempo peligroso.

#### **ADVERTENCIA:**

Controle con cuidado que no haya ramas rotas o muertas que puedan caer mientras tala, y no tale cerca de edificios o cables eléctricos si no sabe en qué dirección caerá el árbol. No tale de noche o con malas condiciones climáticas como lluvia, nieve o fuertes vientos, porque tendrá menor visibilidad y menor control de la motosierra. Si el árbol que está talando cae sobre una línea de transmisión de algún servicio, deje de usar la motosierra y notifique de inmediato a la compañía de servicios. No seguir estas instrucciones podría causar la muerte o lesiones personales graves.

Al talar un árbol, es importante prestar atención a las siguientes advertencias para evitar toda posible lesión seria.

- No corte árboles extremadamente delgados ni árboles grandes con ramas podridas, corteza suelta o troncos huecos. Permita que expertos derriben estos árboles con equipo pesado de empuje o arrastre, y después recórtelos.
- No corte árboles cerca de cables eléctricos o de edificios.
- Revise cada árbol para ver si tiene ramas muertas que pudiesen caer y golpearlo al talar aquél.
- Periódicamente eche un vistazo a la copa del árbol durante el corte trasero, para asegurarse de que caiga en la dirección deseada.
- Si el árbol comienza a caer en una dirección equivocada, o si la sierra se pellizca o queda colgada en el tronco durante la caída del árbol, ¡deje la sierra y sálvese!
- Tala de árboles - Cuando las tareas de tronzado (corte en tramos más pequeños) y de tala de árboles son efectuadas por dos o más personas al mismo tiempo, la operación de tronzado de un

árbol previamente talado debe separarse de la de la tala del árbol siguiente por una distancia igual al doble de la altura del árbol que esté talándose en ese momento. Debe evitarse cortar los árboles de una manera que pudieran poner en peligro a cualquier persona, golpear las líneas de servicios públicos o causar cualquier daño material. Si el árbol golpea cualquier red de servicio público, la compañía correspondiente debe ser notificada de inmediato.

- Antes de iniciar cualquier corte, escoja su ruta de escape (o rutas, en caso de que esté bloqueada la ruta planeada); despeje el área inmediata alrededor del árbol y asegúrese de que no haya obstrucciones en la trayectoria de retirada planeada. Las trayectorias despejadas para una retirada segura deben extenderse hacia atrás en forma diagonal (45°) detrás de la línea de caída planeada. Cuando el árbol empiece a caer, usted deberá retirarse de la dirección de la caída usando la trayectoria de retirada y a una distancia de 6 m (20 pies) del tronco en caso de que exista un contragolpe sobre la cepa. *Veá la figura 19.*
- Antes de iniciar la tala del árbol, considere la fuerza y la dirección del viento, la inclinación y el equilibrio del árbol, y por último la ubicación de las ramas más grandes del mismo. Estos aspectos influyen en la dirección de caída del árbol. No trate de talar ningún árbol a lo largo de una línea diferente de su línea natural de caída.
- El operador de la motosierra debe permanecer en el lado colina arriba del terreno, ya que probablemente el árbol rodará o se deslizará colina abajo una vez talado.
- Retire la tierra, piedras, corteza floja, clavos, grapas y alambre del árbol, donde se vayan a efectuar los cortes de tala.
- **Corte de muescado.** Corte una muesca de 1/3 del diámetro del tronco aproximadamente como se muestra en la figura 20. Efectúe los cortes de la muesca de manera que queden cruzando en ángulo recto el plano de caída. Esta muesca debe limpiarse para dejar una línea recta. Para mantener el peso de la madera fuera de la sierra, siempre efectúe el corte inferior de la muesca antes del corte superior. *Veá la figura 20.*
- **Corte trasero de tala.** El corte trasero siempre se realiza nivelado y horizontal, y a un mínimo de

# FUNCIONAMIENTO

51 mm (2 pulg.) arriba del corte horizontal de la muesca. *Vea las figuras 20 y 21.*

- Nunca corte hasta la muesca. Siempre deje una franja de madera entre la muesca y el corte trasero (aprox. 51 mm [2 pulg.] ó 1/10 del diámetro del árbol). Esto se llama “bisagra” o “madera de bisagra”. Controla la caída del árbol y evita el deslizamiento, el torcimiento o la separación violenta del árbol de su cepa. *Vea las figuras 20 y 21.*
- En árboles de diámetro grande, detenga el corte trasero antes de que esté tan profundo que el árbol pudiese caer o asentarse en la cepa. Después introduzca cuñas de madera o plástico suaves en el corte, de manera que no toquen la cadena. Las cuñas pueden encajarse, poco a poco, para ayudar a derribar el árbol. *Vea la figura 22.*

**NOTA:** Al tronzar o talar un árbol con una cuña, puede ser necesario desmontar la protección anticontragolpe SAFE-T-TIP de la punta para permitir pasar la barra por todo el corte. Después de terminar el corte, debe volver a montarse de inmediato la protección de la punta.

- A medida que comience a caer el árbol, apague la motosierra y deposítela en el suelo de inmediato. Retírese por la trayectoria despejada, pero observe lo que sucede por si algo llega a caer en su camino. Permanezca alerta a las ramas elevadas que puedan caer y fíjese en dónde pisa.

## **⚠ ADVERTENCIA:**

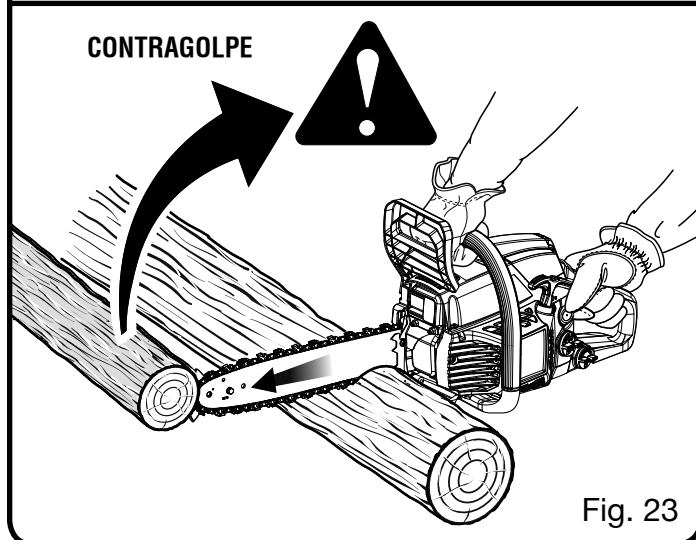
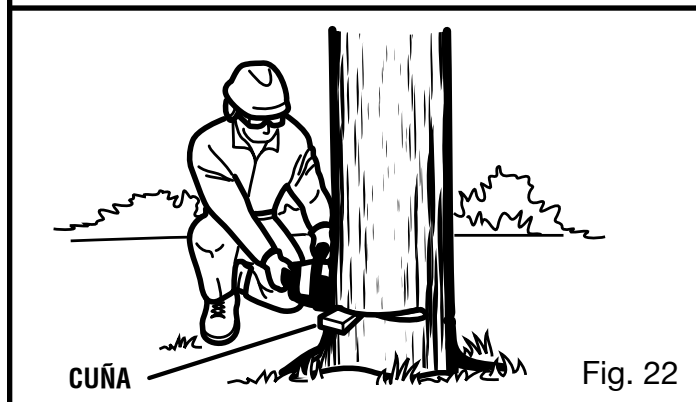
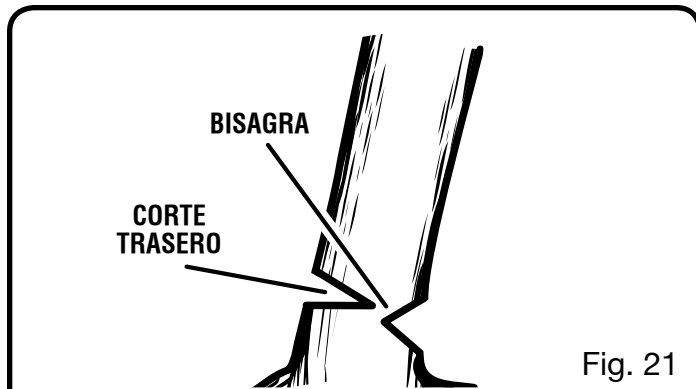
Nunca corte hasta la muesca al efectuar el corte trasero. La bisagra, que es la parte de madera existente entre la muesca y el corte trasero, controla la caída del árbol.

## **TRONZADO**

*Vea la figura 23.*

Tronzado es el término aplicado al corte del tronco de un árbol derribado, en tramos de la longitud deseada.

- Solamente corte un tronco a la vez.
- Apoye los troncos pequeños en un caballete de aserrar o en otro tronco mientras los tronza.
- Mantenga despejada el área del corte. Asegúrese de que ningún objeto pueda tocar la punta de la barra guía ni la cadena durante el corte, ya que



# FUNCIONAMIENTO

puede originarse un contragolpe. Para evitar tal peligro, mantenga montada la protección anticontragolpe SAFE-T-TIP mientras efectúa el corte. Consulte el apartado **Contragolpe** de la sección *Reglas de seguridad específicas* de este manual, donde encontrará información de seguridad adicional.

- Al efectuar tareas de tronzado en una pendiente, siempre párese en el lado colina arriba de los troncos. Para mantener un control completo de la motosierra al cortar a través del tronco, afloje la presión de corte cerca del final del corte sin disminuir la fuerza de sujeción de los mangos de la sierra. No permita que la cadena toque el suelo. Después de terminar el corte, espere a que se detenga la cadena antes de mover la motosierra. Siempre apague el motor antes de desplazarse de un árbol a otro.

## TRONZADO CON CUÑA

Vea la figura 24.

Si el diámetro del tronco es suficientemente grande para introducir una cuña de tronzar suave sin tocar la cadena, debe utilizar la cuña para mantener abierto el corte y de esta manera evitar el pellizcamiento.

**NOTA:** Al tronzar o cortar un árbol con una cuña, puede ser necesario desmontar la protección anticontragolpe SAFE-T-TIP de la punta para permitir tirar de la barra por todo el corte. Después de terminar el corte, debe volver a montar la protección de la punta.

## TRONZADO DE TRONCOS BAJO TENSIÓN

Vea la figura 25.

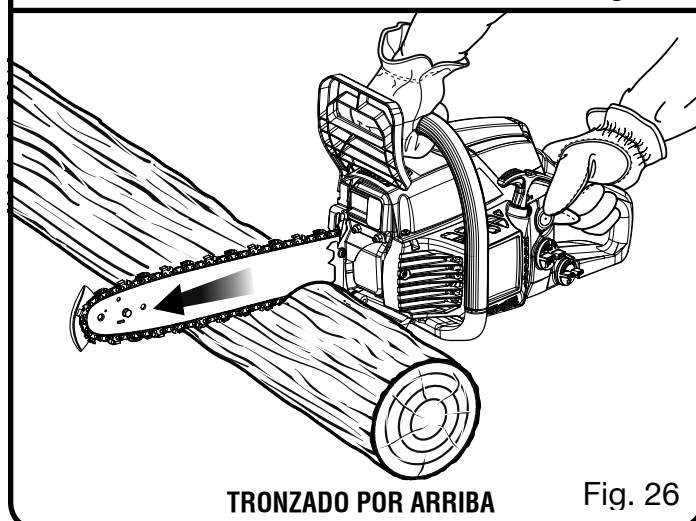
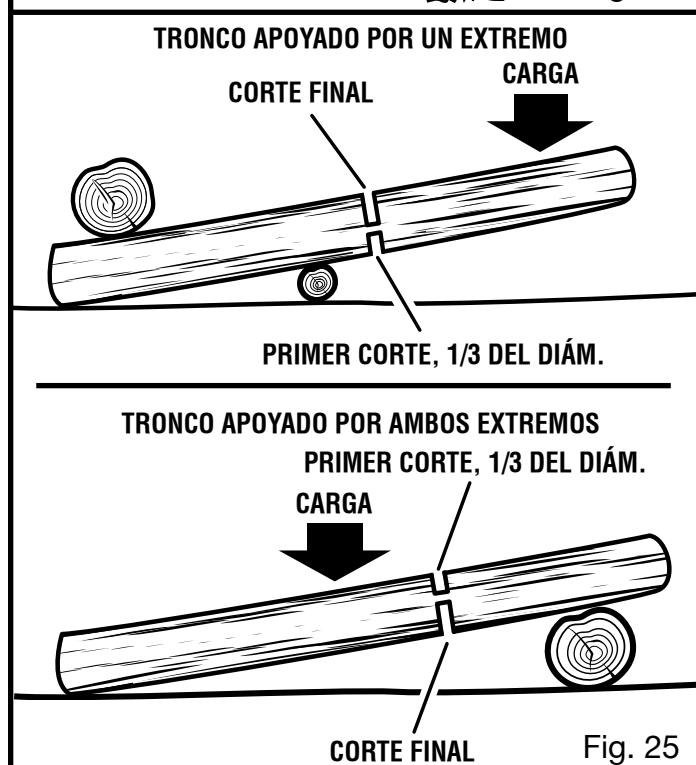
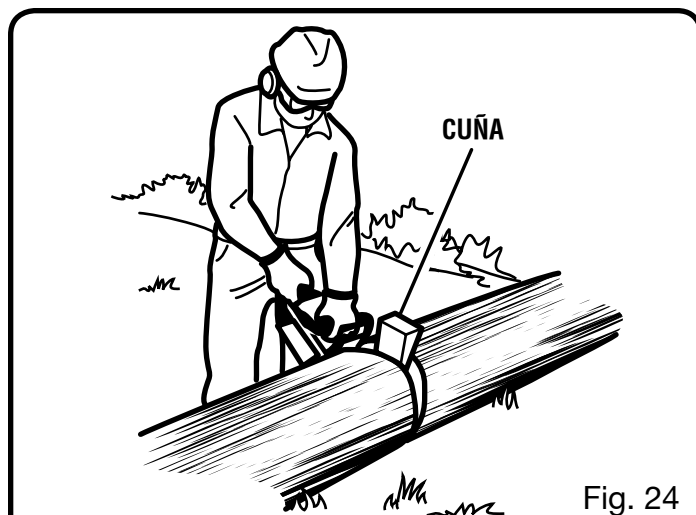
Efectúe el primer corte de tronzado a 1/3 del espesor del tronco y termine con un corte de 2/3 por el lado opuesto. A medida que corta el tronco, éste tenderá a doblarse. La sierra puede resultar pellizcada o quedar colgada en el tronco si efectúa el primer corte a una profundidad mayor de 1/3 del diámetro del tronco.

Preste atención en especial a los troncos sujetos a tensión para evitar el pellizcamiento de la barra y de la cadena en la madera.

## TRONZADO POR ARRIBA

Vea la figura 26.

Comience por el lado superior del tronco, con la parte inferior de la sierra puesta contra el tronco;



# FUNCIONAMIENTO

ejerza una presión leve hacia abajo. Observe que la sierra tenderá a alejarse de usted.

## TRONZADO POR ABAJO

Vea la figura 27.

Comience por el lado inferior del tronco, con la parte superior de la sierra puesta contra el tronco; ejerza una presión leve hacia arriba. Durante el tronzado por abajo, la sierra tenderá a venirse hacia usted. Esté preparado para esta reacción y sujete firmemente la sierra para conservar el control de la misma.

## DESRAMADO

Vea la figura 28.

### ⚠ ADVERTENCIA:

Nunca se suba a un árbol para desramarlo o podarlo. No se pare en escaleras, plataformas, tejado o troncos, ni en ninguna posición que pueda causarle la pérdida del equilibrio o del control de la sierra lo que podría resultar en la muerte o lesiones personales graves.

El desramado es la eliminación de las ramas de un árbol cortado.

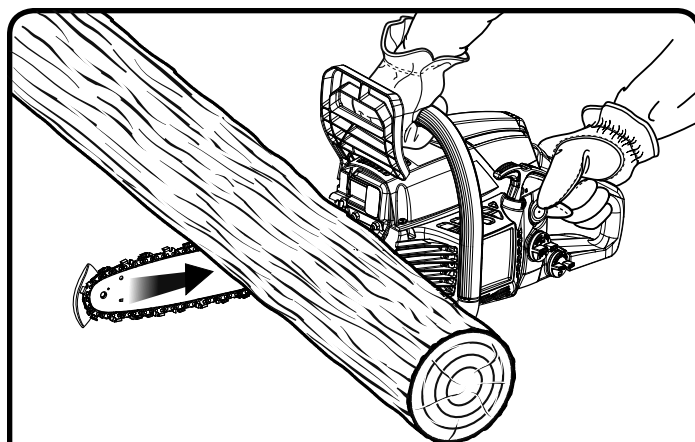
- Trabaje lentamente, manteniendo ambas manos en la motosierra, sujetándola firmemente. Siempre asegúrese de mantener una postura firme y de distribuir su peso de forma equilibrada en ambos pies.
- Deje las ramas de soporte más grandes bajo el árbol para mantenerlo separado del suelo mientras efectúa los cortes.
- Solamente corte una rama a la vez. Retire las ramas cortadas del área de trabajo con frecuencia para mantener el área de trabajo limpia y segura.
- Las ramas bajo tensión deben cortarse de abajo hacia arriba para evitar el atoramiento de la motosierra.
- Mantenga el árbol entre usted y la motosierra mientras realice el desramado. Corte desde el lado del árbol que quede opuesto a la rama que esté cortando.

## PODA

Vea la figura 29.

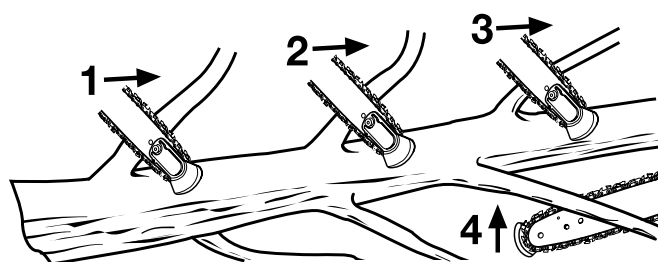
La poda es el recorte de las ramas de un árbol vivo.

- Trabaje lentamente, manteniendo ambas manos en la motosierra, sujetándola firmemente. Siempre



TRONZADO POR ABAJO

Fig. 27



CORTE UNA RAMA A LA VEZ Y DEJE RAMAS DE SOPORTE BAJO EL ÁRBOL HASTA QUE ESTÉ CORTADO EL TRONCO

Fig. 28

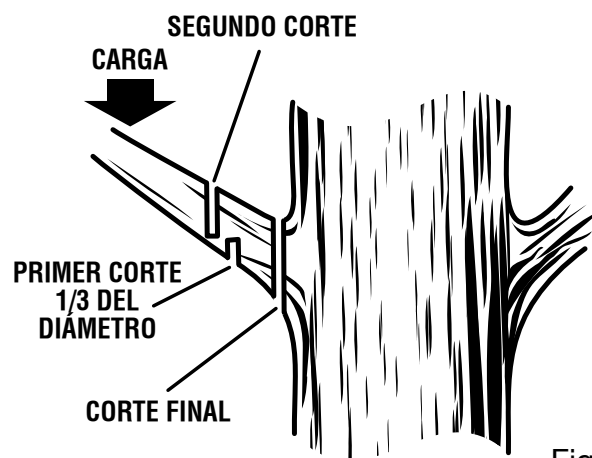


Fig. 29

asegúrese de mantener una postura firme y de distribuir su peso de forma equilibrada en ambos pies.

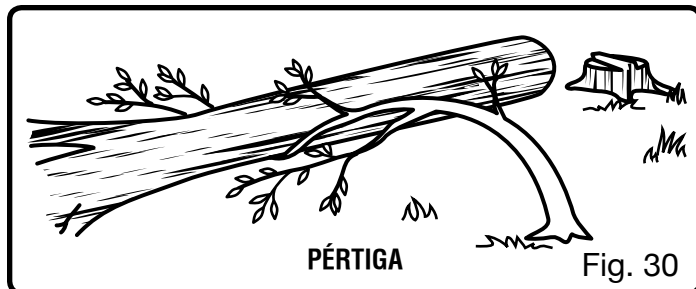
- No realice tareas de corte subido en una escalera, ya que es extremadamente peligroso. Deje tal operación a los profesionales.

## FUNCIONAMIENTO

- No corte arriba de la altura del pecho, ya que si se tiene la sierra más arriba de esa altura, es difícil de controlar bajo la fuerza del contragolpe.
- Al podar árboles es importante no realizar el corte final de una rama, junto a la rama o tronco de donde sale, sin haber recortado la primera para reducir el peso de la misma. De esta manera se evita desprender la corteza del miembro progenitor.
- Para el primer corte de tronzado, corte por abajo la rama 1/3 del diámetro de la misma.
- El segundo corte de tronzado debe ser por arriba para cortar completamente la rama.
- Ahora efectúe el corte final, liso y bien hecho, contra el miembro progenitor, de manera que se forme la corteza para sellar el corte.

### **⚠ ADVERTENCIA:**

Si las ramas por podar están arriba de la altura del pecho, contrate a un experto para que efectúe la poda. La inobservancia de esta advertencia puede causar lesiones serias.



### **CORTE DE PÉRTIGAS**

*Vea la figura 30.*

Una pértiga es cualquier tronco, rama, cepa enraizada o árbol joven que ha sido doblado por la presión de otro árbol o rama, de manera que azota si se corta o se elimina el elemento que lo detiene. Con la cepa enraizada de un árbol caído hay un gran peligro de que la misma vuelva súbitamente a la posición vertical durante el corte de tronzado para separar el tronco de la cepa. Tenga cuidado con las pértigas; son peligrosas.

### **⚠ ADVERTENCIA:**

Las pértigas son peligrosas y podrían golpear al operador, obligándolo a perder el control de la motosierra. Esto podría causarle lesiones mortales o serias al operador.

## MANTENIMIENTO

Cualquier establecimiento o técnico de reparaciones calificado puede realizar el mantenimiento normal, el reemplazo o la reparación de los dispositivos y sistemas de control de emisiones, con repuestos originales o equivalentes. Un centro de servicio calificado deberá realizar las reparaciones y el retiro del producto que cubra la garantía; póngase en contacto con el servicio al cliente para obtener ayuda.

### **⚠ ADVERTENCIA:**

Antes de inspeccionar, limpiar o dar mantenimiento a la máquina, apague el motor, espere hasta que se detengan todas las piezas en movimiento, desconecte el cable de la bujía y apártelo de la bujía. El incumplimiento de estas instrucciones puede provocar lesiones personales graves o daños materiales.

### **⚠ ADVERTENCIA:**

Las superficies del silenciador alcanzan temperaturas muy elevadas tanto durante como después de accionar la motosierra; mantenga todas las partes del cuerpo alejadas del silenciador. Se pueden ocasionar quemaduras graves de entrar en contacto con el silenciador.

### **⚠ ADVERTENCIA:**

Siempre póngase protección ocular con protección lateral con la marca de cumplimiento de la norma ANSI Z87.1 junto con protección auditiva y la cabeza.



# MANTENIMIENTO

## **⚠ ADVERTENCIA:**

Al dar servicio a la unidad, sólo utilice piezas de repuesto recomendadas o equivalentes. El empleo de piezas diferentes puede ser peligroso o dañar el producto.

## **AVISO:**

Inspeccione periódicamente todo el producto para detectar partes dañadas, faltantes o sueltas, como tornillos, tuercas, pernos, tapas, etc. Apriete firmemente todos los sujetadores y las tapas y no accione este producto hasta que todas las partes faltantes o dañadas sean reemplazadas. Llame al contacto con el servicio al cliente o con un centro de servicio calificado para recibir asistencia.

## **MANTENIMIENTO GENERAL**

Evite el empleo de solventes al limpiar piezas de plástico. La mayoría de los plásticos son susceptibles a diferentes tipos de solventes comerciales y pueden resultar dañados. Utilice paños limpios para eliminar la suciedad, el polvo, el aceite, la grasa, etc.

## **⚠ ADVERTENCIA:**

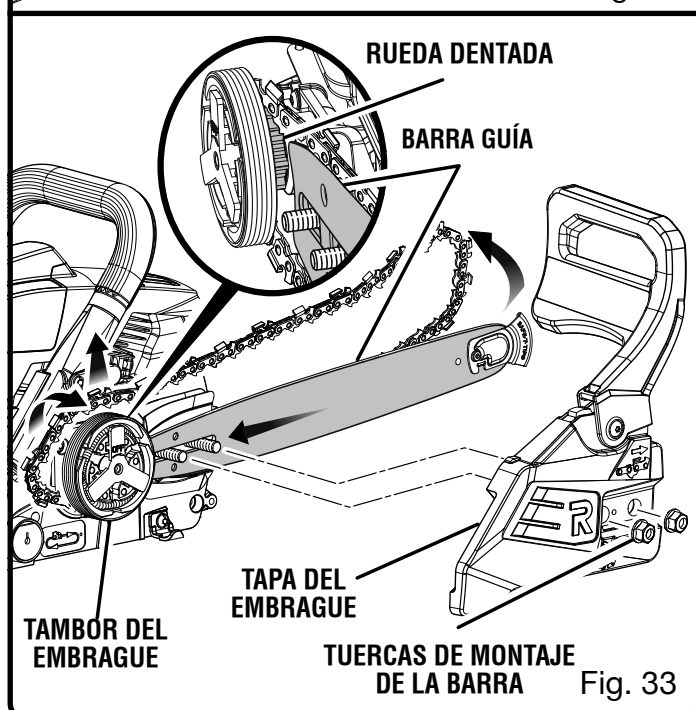
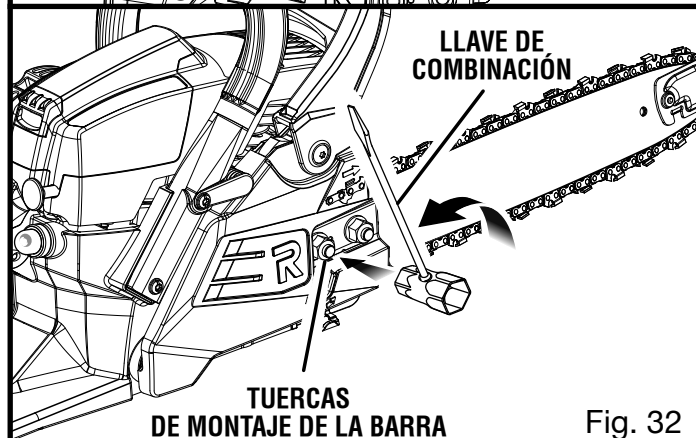
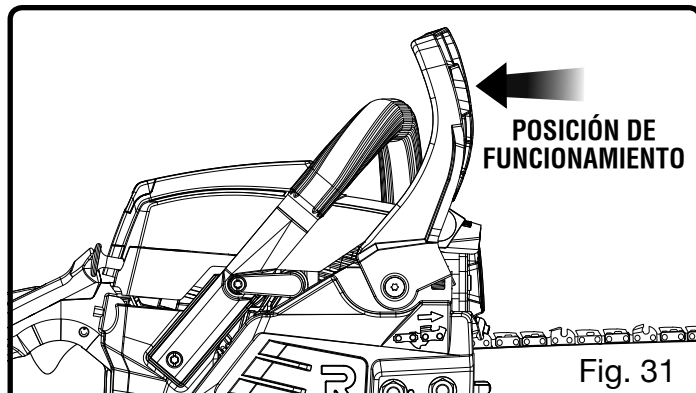
No permita en ningún momento que fluidos para frenos, gasolina, productos a base de petróleo, aceites penetrantes, etc., lleguen a tocar las piezas de plástico. Las sustancias químicas pueden dañar, debilitar o destruir el plástico, lo cual a su vez puede producir lesiones corporales serias.

## **CÓMO REEMPLAZAR LA BARRA GUÍA Y LA CADENA**

*Vea las figuras 31 a 40.*

## **⚠ PELIGRO:**

Nunca arranque el motor sin haber instalado la barra guía, la cadena, la tapa de la unidad de impulsión y el tambor del embrague. Sin todas estas piezas en su lugar, el embrague puede salir disparado o estallar, exponiendo de esta manera al operador a una posible lesión seria.

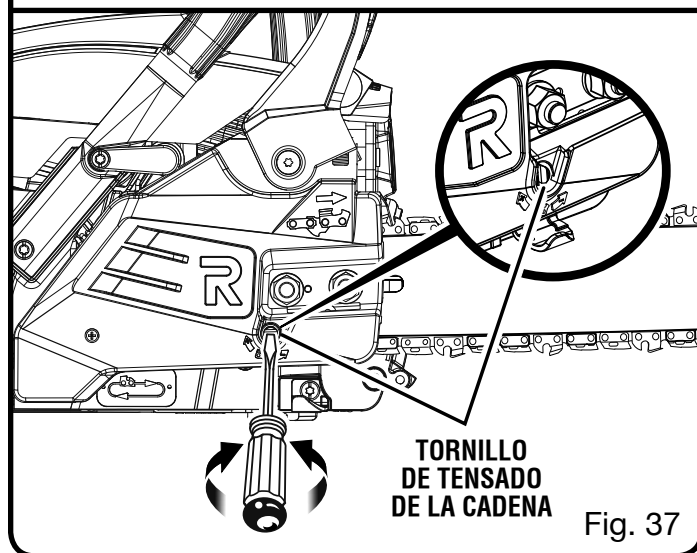
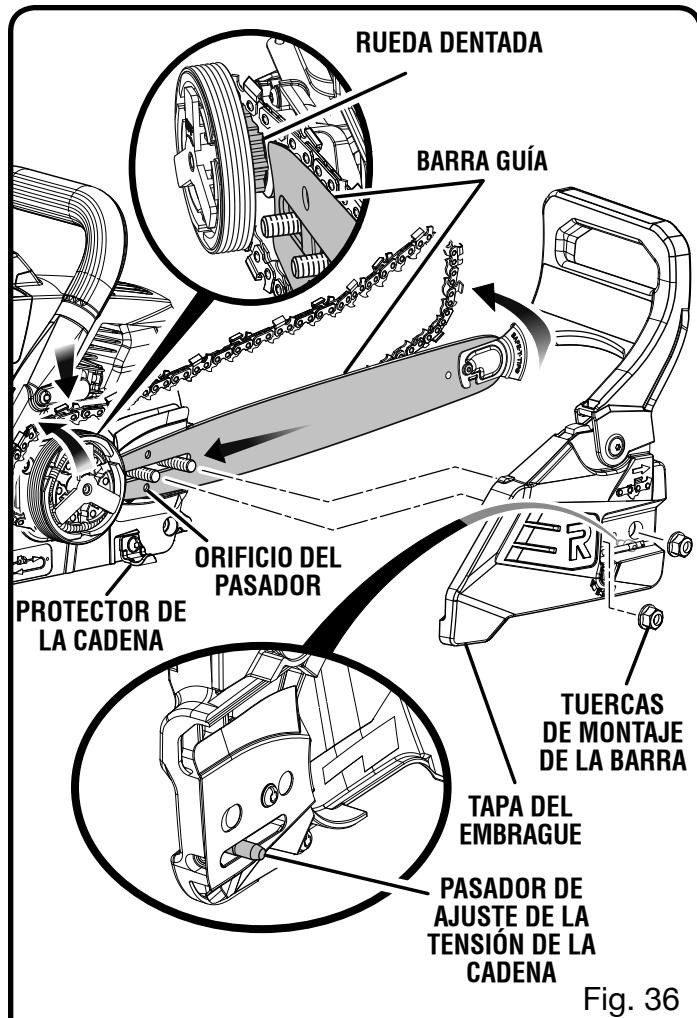
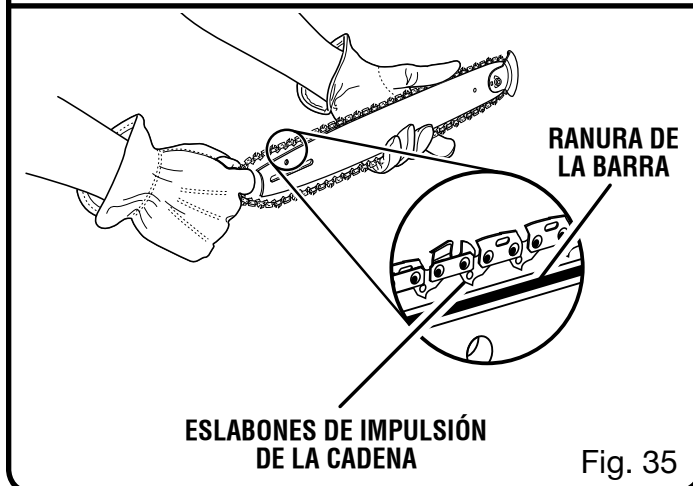
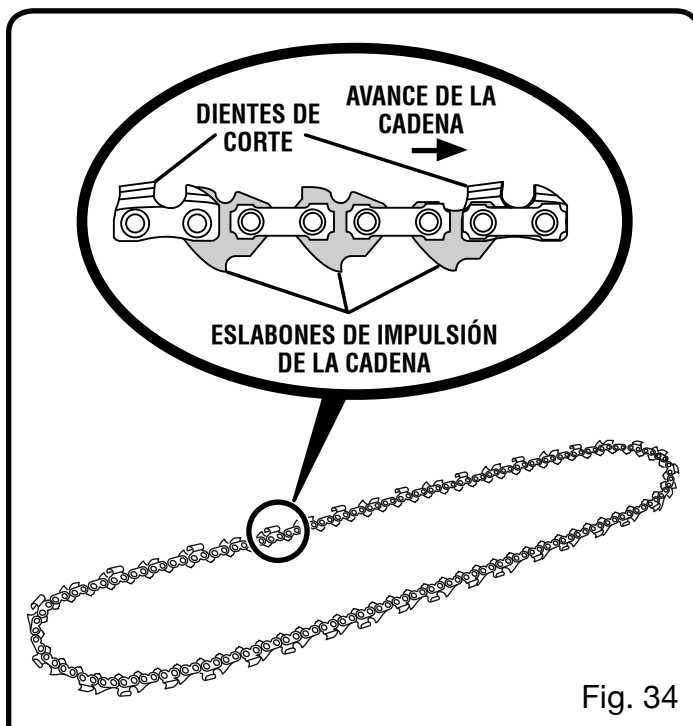


# MANTENIMIENTO

## **⚠ ADVERTENCIA:**

Para evitar lesiones corporales serias, lea y comprenda todas las instrucciones de seguridad indicadas en esta sección.

- Apague el motor y desconecte el cable de la bujía antes de realizar cualquier tarea en la sierra.
- Asegúrese de que el freno de la cadena no esté puesto; para ello, tire de la palanca del mismo (protección de la mano) hacia el mango delantero, a la posición de funcionamiento.



# MANTENIMIENTO

**NOTA:** Al reemplazar la barra guía y la cadena, siempre utilice la barra y la cadena especificadas en la sección **Combinaciones de barra y cadena**, más adelante en este manual.

- Póngase guantes al manipular la cadena y la barra. Estos componentes están afilados y pueden contener rebabas.
- Retire las tuercas de montaje de la barra con la llave de combinación suministrada.
- Retire la tapa del embrague.
- Deslice la barra hacia la rueda dentada dejando espacio en la cadena.
- Desde la parte trasera de la barra, eleve la cadena vieja fuera de la punta y retírela de la parte superior de la barra, fuera de la rueda dentada y sobre el tambor del embrague.
- Coloque la nueva sierra circular en un bucle y enderece donde se retuerza. Las fresas deben apuntar a la dirección de rotación de la cadena. Si apuntan hacia atrás, gire el bucle.
- Coloque la barra al ras contra la superficie de montaje de manera que los pernos de la barra estén en la ranura larga de la barra.
- Coloque la cadena sobre la punta como se muestra en la figura para que quede detrás de la barra. Sosteniendo la cadena en posición, coloque el extremo izquierdo del bucle sobre y detrás del tambor del embrague y alrededor de la rueda dentada.

**NOTA:** Asegúrese de que la cadena descansa en el protector de la cadena para garantizar la alineación de los eslabones motrices en la ranura de la barra.

- Coloque los eslabones motrices de la cadena en la ranura de la barra como se muestra en la figura. Deslice la parte superior de la cadena hacia la punta hasta que los eslabones motrices encajen en la ranura de la barra.
- Deslice la barra fuera de la rueda dentada y permita que se ajuste la cadena. Asegúrese de mantener la barra al ras contra la superficie de montaje.
- Vuelva a colocar la tapa del embrague y asegúrese de que el pasador de ajuste ubicado en dicha tapa esté en el orificio del pasador de tensado de la cadena de la barra y que ambos pernos de

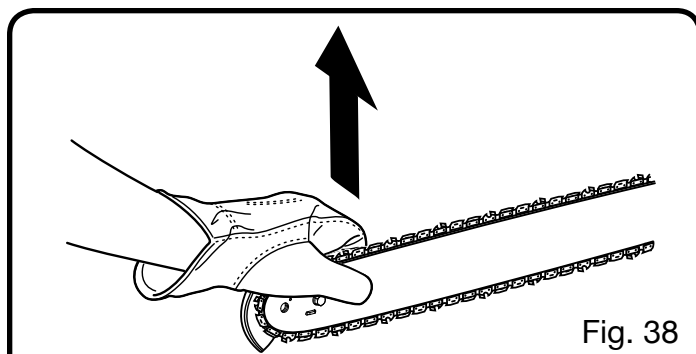


Fig. 38

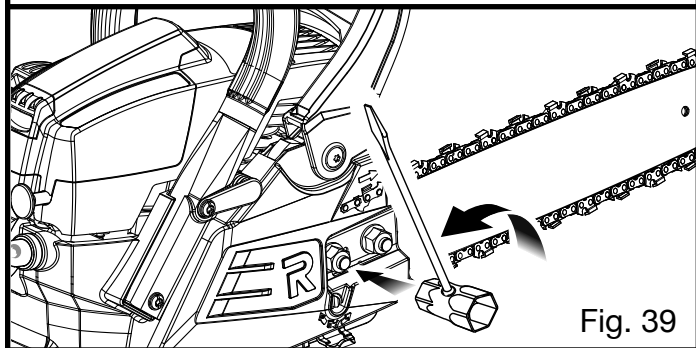


Fig. 39

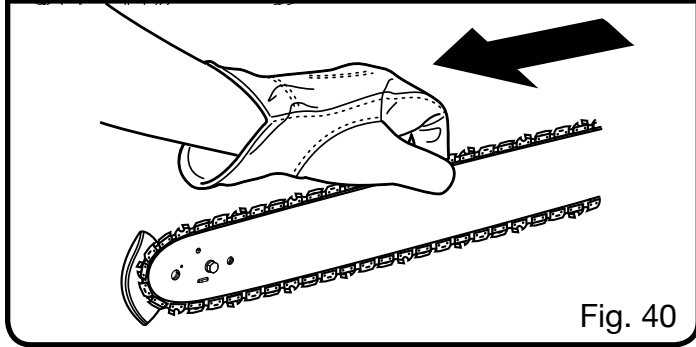


Fig. 40

la barra están firmes en sus respectivos orificios en la tapa del embrague.

**NOTA:** Tal vez sea necesario reubicar levemente el pasador de ajuste con el tornillo de tensado de la cadena para que quede alineado con la posición del orificio del pasador de tensado de la cadena de la barra.

- Vuelva a montar la tapa del embrague y las tuercas de montaje de la barra.
- Apriete las tuercas de montaje de la barra con los dedos. La barra debe quedar libre para moverse para el ajuste de la tensión.
- Elimine toda la holgura de la cadena; para ello, gire hacia la derecha el tornillo de tensado de la cadena hasta que ésta se sienta ajustadamente en la barra, con los eslabones de impulsión dentro de la ranura de la misma.
- Levante la punta de la barra guía para revisar la holgura de la cadena.

# MANTENIMIENTO

- Suelte la punta de la barra guía y gire 1/2 vuelta hacia la derecha el tornillo de tensado de la cadena. Repita este proceso hasta que desaparezca toda holgura presente.
- Mantenga levantada la punta de la barra guía y apriete firmemente las tuercas de montaje de dicha barra.

La cadena está bien tensada cuando no hay holgura de la misma en la parte inferior de la barra guía, la cadena se siente bien ajustada en la barra, y puede avanzarse con la mano sin ningún atoramiento de aquélla. Asegúrese de que no esté puesto el freno de la cadena.

**NOTA:** Si queda demasiado ajustada la cadena, no podrá desplazarse. Afloje levemente las tuercas de montaje de la barra y gire 1/4 de vuelta hacia la izquierda el tornillo de ajuste de la tensión. Levante la punta de la barra guía y vuelva a apretar firmemente las tuercas de montaje de dicha barra. Asegúrese de que la cadena se desplace sin atorarse.

## AJUSTE DE LA TENSIÓN DE LA CADENA

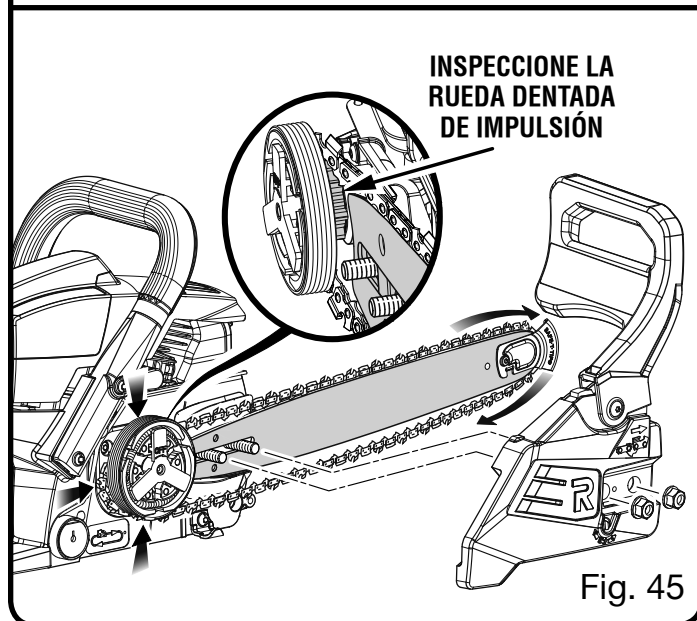
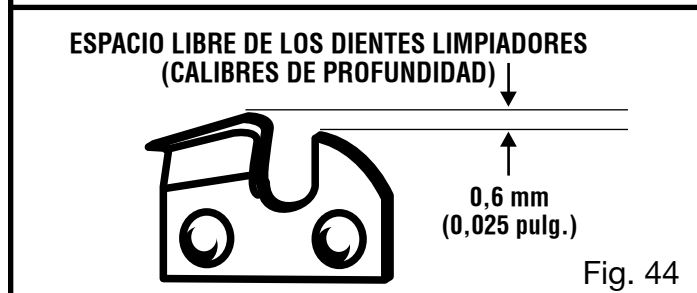
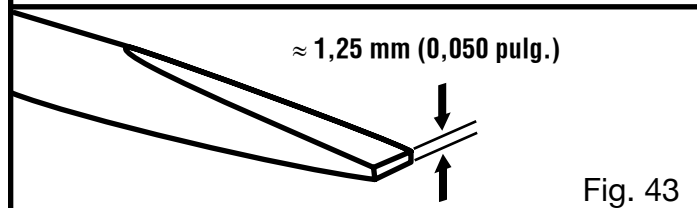
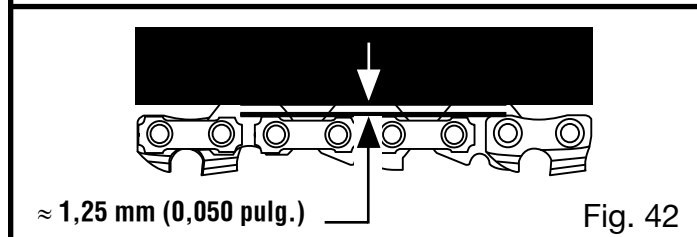
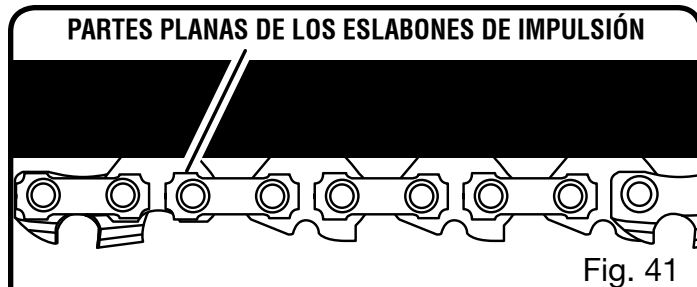
Vea las figuras 41 a 43.

### ⚠ ADVERTENCIA:

Apague el motor, espere a que se detengan todas las piezas en movimiento, desconecte el cable de la bujía y aléjelo de ésta. Nunca toque ni ajuste la cadena mientras esté funcionando el motor. La cadena de la sierra está sumamente afilada. Siempre lleve puestos guantes protectores al efectuar labores de mantenimiento de la cadena. El incumplimiento de estas instrucciones podría causar lesiones personales de gravedad.

- Apague el motor antes de ajustar la tensión de la cadena.
- Asegúrese de que las tuercas de montaje de la barra estén flojas al punto de apriete con los dedos.
- Gire a la derecha el tornillo de tensado de la cadena para tensar ésta.

**NOTA:** La cadena, estando fría, está bien tensada cuando no hay holgura de la misma en la parte inferior de la barra guía, la cadena se siente bien ajustada en la barra, y puede avanzarse con la mano sin ningún atoramiento.



# MANTENIMIENTO

- Vuelva a tensar la cadena cada vez que las partes planas de los amarres de unión cuelguen de la ranura de la barra.

**NOTA:** Durante el funcionamiento normal de la sierra, aumenta la temperatura de la sierra. Si la cadena está bien tensada, estando caliente los eslabones de impulsión sobresalen suspendidos de la ranura de la barra aproximadamente 1,25 mm (0,050 pulg.). Como ayuda para determinar la tensión adecuada de la cadena caliente, puede emplearse la llave de combinación como guía.

**NOTA:** Las cadenas nuevas tienden a estirarse; revise frecuentemente la tensión de la cadena y tense ésta según se requiera.

## AVISO:

Si se tensa la cadena estando ésta caliente, puede quedar demasiado apretada al enfriarse. Revise la “tensión en frío” de la cadena, antes de usar la sierra.

## MANTENIMIENTO DE LA CADENA

Vea las figuras 44 y 45.

## ⚠ PRECAUCIÓN:

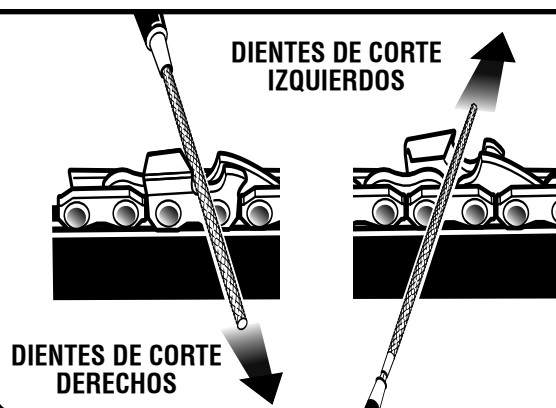
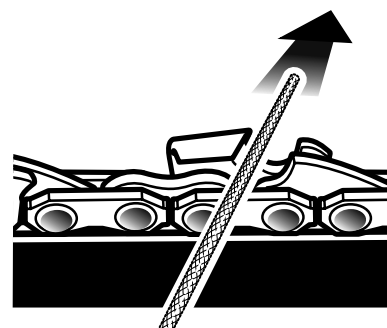
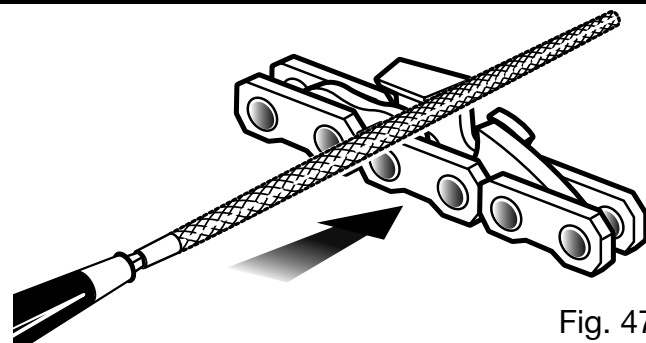
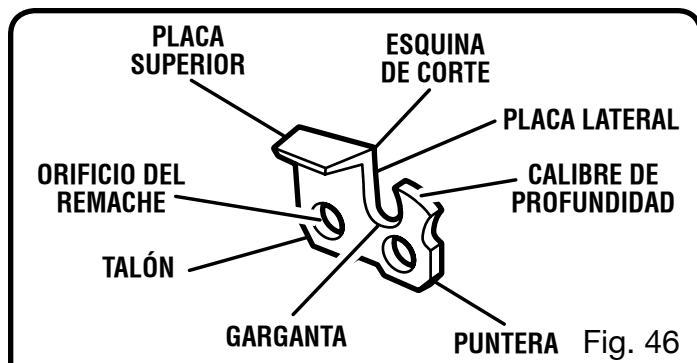
Apague el motor y desconecte el cable de la bujía antes de realizar cualquier tarea en la sierra para evitar un arranque accidental que puede resultar en lesiones.

Sólo utilice una cadena de contragolpe moderado con esta sierra. Esta cadena proporciona reducción del contragolpe si se le da debido mantenimiento.

Para poder dar un corte liso y rápido, es necesario dar un mantenimiento adecuado a la cadena.

La cadena requiere afilarse cuando las virutas de madera salen pequeñas y polvorientas, cuando es necesario forzar la cadena a pasar a través de la madera durante el corte, o cuando la cadena corta hacia un lado. Durante el mantenimiento de la sierra considere lo siguiente:

- Un ángulo incorrecto de limado de la placa lateral puede aumentar el riesgo de un contragolpe violento.
- Espacio libre de los dientes limpiadores (calibres de profundidad).
  - Demasiado bajo aumenta el peligro de contragolpe.



- Si no está lo suficientemente bajo disminuye la capacidad de corte.
- Si los dientes de corte han tocado objetos duros como clavos y piedras, o han sido desgastados por el lodo o la arena presentes en la madera, permita que afilen la cadena en un centro de servicio calificado.

# MANTENIMIENTO

**NOTA:** Al cambiar la cadena, inspeccione la rueda dentada de impulsión para ver si tiene desgaste o daños. Si hay señales de desgaste o daños presentes en las áreas indicadas, lleve la sierra a un centro de servicio calificado para que cambien la rueda dentada.

**NOTA:** Si no comprende completamente el procedimiento correcto de afilado de la cadena después de leer las instrucciones siguientes, lleve la sierra a afilar a un centro de servicio calificado o reemplácela con una cadena de contragolpe moderado recomendada.

## AFILADO DE LOS DIENTES DE CORTE

Vea las figuras 46 a 49.

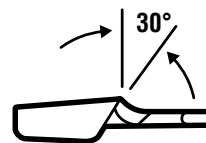
Tenga cuidado de afilar todos los dientes de corte a los ángulos especificados y a la misma longitud, ya que sólo puede lograrse un corte rápido cuando están uniformes todos los dientes de corte.

### ⚠ ADVERTENCIA:

La cadena de la sierra está sumamente afilada. Para evitar sufrir lesiones serias, siempre lleve puestos guantes protectores al efectuar labores de mantenimiento de la cadena.

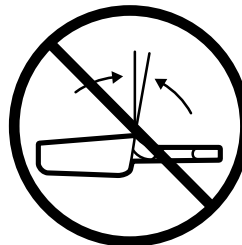
- Tense la cadena antes de afilarla. Consulte el apartado **Ajuste de la tensión de la cadena**.
- Use una lima redonda de x 4,0 mm (5/32 pulg.) de diámetro con mango. Efectúe toda la limadura en el punto medio de la barra.
- Mantenga la lima al nivel de la placa superior de los dientes de corte. No permita que la lima se incline ni se balancee.
- Aplique una presión leve pero firme. Efectúe el movimiento hacia la parte frontal del diente.
- Levante la lima para separarla del acero en cada movimiento de regreso.
- Dé unas pocas pasadas firmes a cada diente de corte. Lime todos los dientes de corte izquierdos en una dirección. Después lleve la lima al otro lado y lime los dientes de corte derechos en la dirección opuesta.
- Con un cepillo de alambre limpie las limaduras producidas por la lima.

### ÁNGULO DE LIMADURA DE LA PLACA SUPERIOR

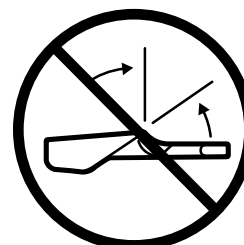


FORMA CORRECTA

MENOS DE 30°



MÁS DE 30°



FORMA INCORRECTA

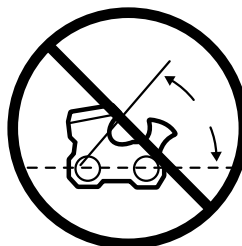
Fig. 50

### ÁNGULO DE LIMADURA DE LA PLACA LATERAL

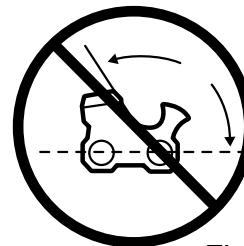


FORMA CORRECTA

GANCHO



PENDIENTE HACIA ATRÁS



FORMA INCORRECTA

Fig. 51

### AVISO:

Si la cadena está desafilada o mal afilada, durante el corte puede causar una velocidad excesiva del motor, lo cual puede dañarlo.

### ⚠ ADVERTENCIA:

Un afilado inadecuado de la cadena aumenta el peligro de contragolpe, lo que podría resultar en lesiones personales graves.

### ⚠ ADVERTENCIA:

Si no se cambia o se repara la cadena cuando está dañada, puede causar lesiones serias.

## ÁNGULO DE LIMADURA DE LA PLACA SUPERIOR

Vea la figura 50.

- **ÁNGULO CORRECTO:** 30° – Los mangos de las limas están marcados con marcas guía para alinear correctamente la lima con el fin de generar el ángulo correcto de la placa superior.

## ÁNGULO DE LA PLACA LATERAL

Vea la figura 51.

- **ÁNGULO CORRECTO:** 80° – Se genera automáticamente si se pone una lima de diámetro correcto en el mango.
- **EN FORMA DE GARFIO** – “Agarra”, se desafilan rápidamente y aumenta el peligro de un CONTRAGOLPE. Resulta de esta forma por usarse una lima de diámetro demasiado pequeño, o por sostenerse ésta muy abajo.
- **PENDIENTE HACIA ATRÁS** – Se necesita demasiada presión para avanzar el corte, causa desgaste excesivo en la barra y la cadena. Resulta de esta forma por usarse una lima de diámetro demasiado grande, o por sostenerse ésta muy alto.

## MANTENIMIENTO DEL ESPACIO LIBRE DEL CALIBRE DE PROFUNDIDAD

Vea las figuras 52 a 54.

- Mantenga los calibres de profundidad a un espacio libre de 0,6 mm (0,025 pulg.). Utilice un igualador de calibres de profundidad para verificar los espacios libres de los mismos.
- Cada vez que se lima la cadena verifique el espacio libre de los calibres de profundidad.
- Con una lima plana y un igualador de calibres de profundidad, baje de manera uniforme todos los calibres. Use un igualador de calibres x 0,6 mm (0,025 pulg.) Después de bajar cada calibre de profundidad, devuélvalos su forma original redondeando la parte frontal de los mismos. Tenga cuidado de no dañar los eslabones de impulsión adyacentes con el borde de la lima.
- Cada calibre de profundidad debe ajustarse con la lima plana, en la misma dirección en que se limó con la lima redonda el diente de corte adyacente. Tenga cuidado de no tocar la cara del diente de corte adyacente con la lima plana al ajustar los calibres de profundidad.

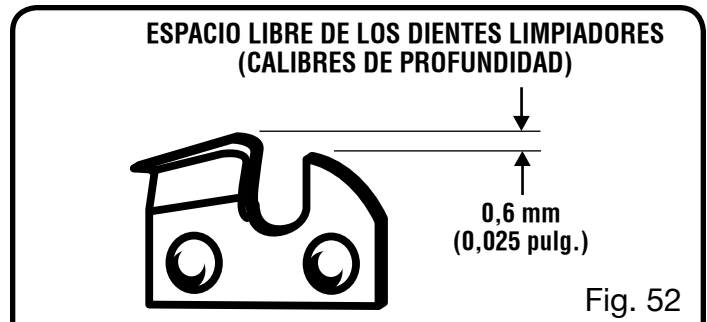


Fig. 52

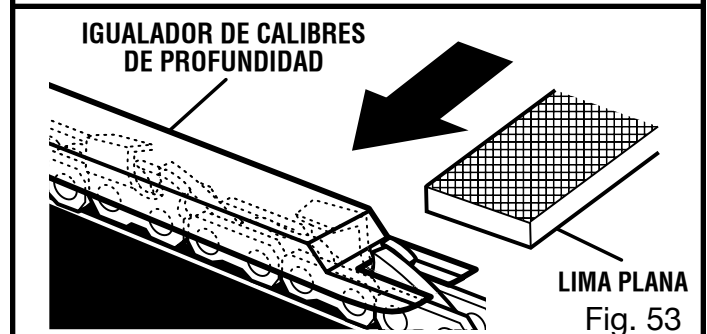


Fig. 53

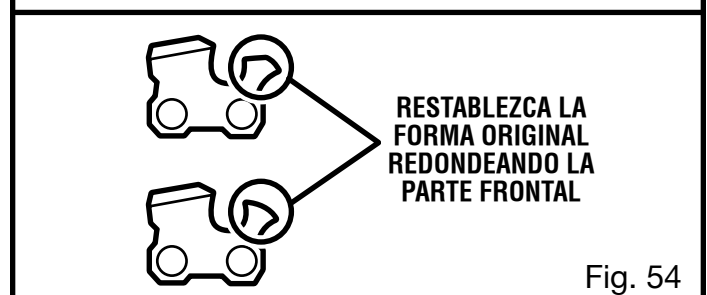


Fig. 54

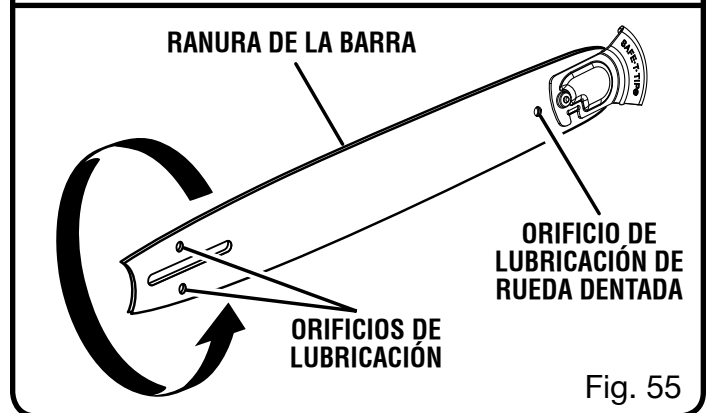


Fig. 55

## MANTENIMIENTO DE LA BARRA GUÍA

Vea la figura 55.

### ⚠ PRECAUCIÓN:

Asegúrese de que se haya detenido la cadena antes de ponerse a trabajar con la cadena.

Un mantenimiento adecuado maximizará la vida útil de barra guía.

# MANTENIMIENTO

## Cada día de uso:

Limpie la barra y inspeccione para ver el desgaste y los posibles daños. La formación de minúsculos surcos y protuberancias en los rieles de la barra es un proceso normal de desgaste de la misma, pero tales fallas deben alisarse con una lima tan pronto como aparezcan.

## Cada semana de uso:

- Invierta la barra guía en la sierra para distribuir el desgaste.
- Lubrique la rueda dentada sobre el extremo de la barra guía utilizando una pistola de grasa en el orificio de lubricación de la rueda dentada.
- Gire la barra guía y verifique que no tengan impurezas los orificios de lubricación y la ranura de la cadena.

## Debe cambiarse toda barra que presente cualquiera de las siguientes fallas:

- Desgaste dentro de los rieles de la barra que permite a la cadena descansar sobre su costado
- Barra guía doblada
- Rieles agrietados o rotos
- Rieles ensanchados

## MONTAJE DE LA PROTECCIÓN SAFE-T-TIP DE LA PUNTA

Vea las figuras 56 y 57.

- Apague el motor y desconecte el cable de la bujía.
- Monte la protección SAFE-T-TIP en la punta de la barra.
- Acomode la orejeta de inmovilización en el ranura en hueco de la barra guía.
- Apriete el tornillo con la llave hasta dejarlo ajustado.
- De donde quedó ajustado, con una llave apriételo 3/4 de vuelta más.
- Verifique la seguridad de la protección SAFE-T-TIP de la punta y el tornillo de montaje antes de cada uso de la motosierra.

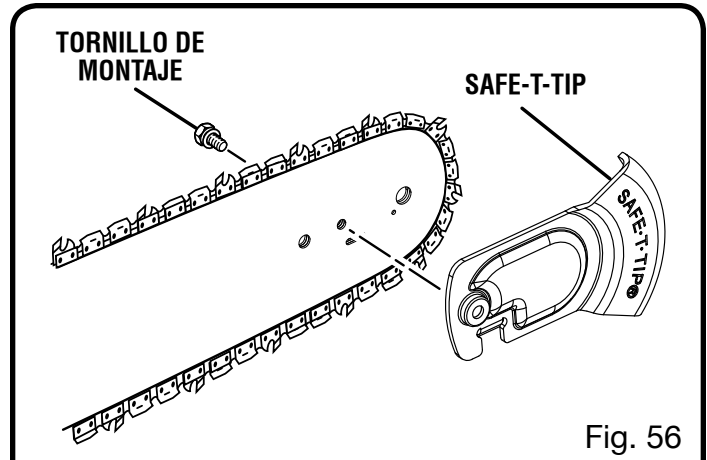


Fig. 56

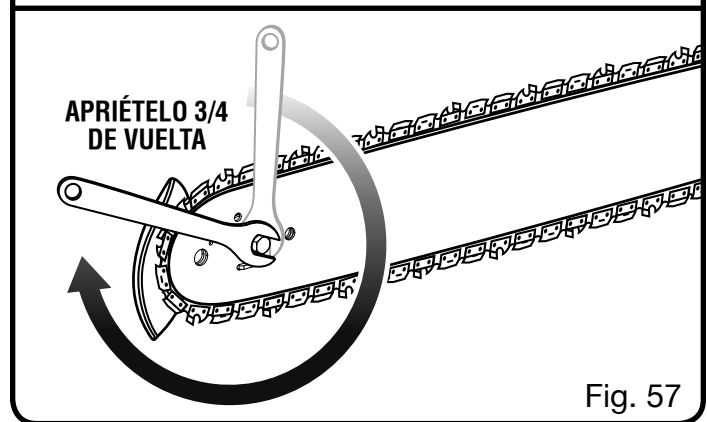


Fig. 57

## MANTENIMIENTO DE LA PROTECCIÓN SAFE-T-TIP DE LA PUNTA

Vea las figuras 56 y 57.

### ⚠ PRECAUCIÓN:

Asegúrese de que se haya detenido la cadena antes de ponerse a trabajar con la cadena.

### ⚠ ADVERTENCIA:

Aunque la barra guía viene con una protección anticontragolpe SAFE-T-TIP ya montada, verifique el apriete del tornillo de montaje cada vez antes de usar la sierra.

Para apretar el tornillo de montaje de la protección de la punta, siga las instrucciones explicadas a continuación. Estos son tornillos especiales endurecidos. Si no puede apretarse el tornillo, cambie tanto éste como la protección SAFE-T-TIP antes de utilizar la unidad.



# MANTENIMIENTO

**NOTA:** No sustituya el tornillo con uno ordinario. Al reemplazar piezas sólo utilice piezas de repuesto idénticas del fabricante.

Además de evitar el contacto de la cadena con objetos sólidos en la punta de la barra, la protección SAFE-T-TIP también ayuda a mantener la cadena alejada de superficies abrasivas, como la tierra. Manténgala en el lado derecho de la barra, entre la cadena y el suelo, durante el corte a nivel con el suelo.

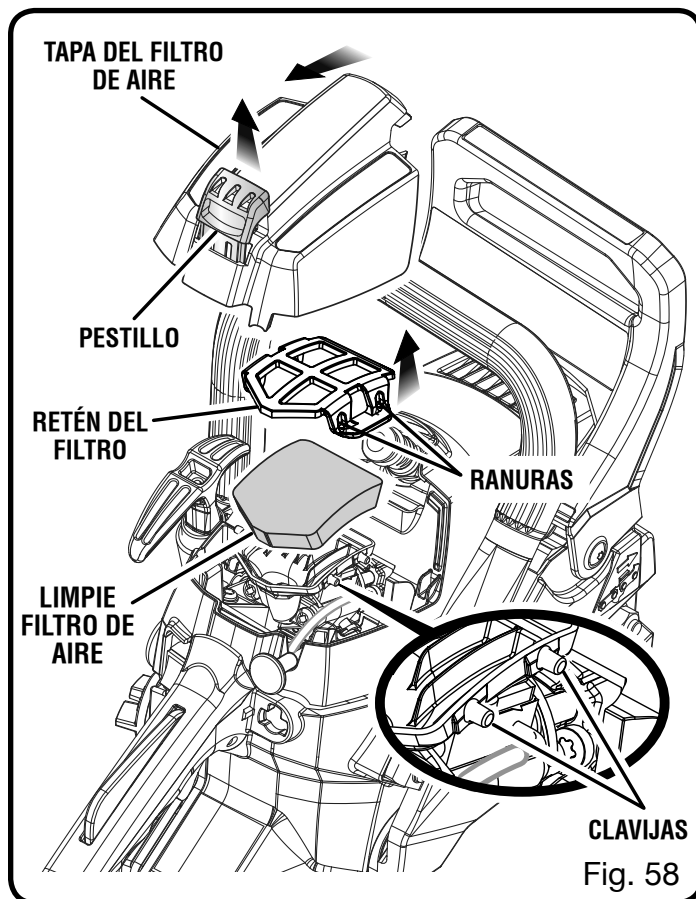
El tornillo de montaje requiere una llave de tuercas de x 7,9 mm (5/16 pulg.) (o una llave ajustable) para lograr fuerza de torsión de 4 a 5 N·m (35 a 45 lb-pulg.). Puede lograrse fuerza de torsión dentro de este intervalo mediante el siguiente método.

- Apriete el tornillo con la llave hasta dejarlo ajustado.
- De donde quedó ajustado, con una llave apriételo 3/4 de vuelta más.

## LIMPIEZA DEL FILTRO DE AIRE

Vea la figura 58.

- Accione el freno de la cadena.
- Levante el pestillo para liberar la tapa del filtro de aire.
- Deslice la tapa hacia fuera y, luego, levántela para quitarla de la sierra.
- Retire el retén del filtro de aire levantando el mango en el lado derecho lo suficiente como para liberar las clavijas de las ranuras y, luego, levante el retén para retirarlo.
- Extraiga el filtro de aire.
- Lave el filtro con agua y jabón.
- Enjuáguelo bien. Estrújelo para quitar el exceso de agua y déjelo secar.
- Vuelva a colocar el filtro de aire.
- Vuelva a colocar el retén del filtro de aire asegurándose de que quede firme sobre las cuatro clavijas.



### AVISO:

Asegúrese de que el filtro de aire esté colocado correctamente en la tapa correspondiente antes de volver a montarlos en la sierra. Nunca accione el motor sin el filtro de aire, ya que puede resultar dañado seriamente el motor.

- Vuelva a instalar la tapa de la caja de aire colocando la cubierta en la base y deslizándola hacia atrás en su posición.
- Presione el pestillo hacia abajo para asegurar.

**NOTA:** Asegúrese de que la tapa quede bien alineada antes de presionar el pestillo en la posición bloqueada.

## AJUSTE DEL CARBURADOR

Vea las figuras 59 y 60.

### **⚠ ADVERTENCIA:**

La cadena se moverá alrededor de la barra guía cuando se ajuste la velocidad de marcha lenta. Utilice todas las prendas de protección y no permita la presencia de personas ajenas a la operación, niños ni mascotas a menos de 15 metros (50 pies) de distancia. Efectúe los ajustes con la unidad apoyada sobre una superficie estable de modo que la cadena/barra guía no entre en contacto con el piso ni con ningún objeto. Mantenga todas las partes del cuerpo alejadas de la cadena/barra guía y del silenciador. El incumplimiento de estas instrucciones podría causar lesiones personales de gravedad.

### Antes de ajustar el carburador:

- Con un cepillo o aire comprimido limpie las aberturas de ventilación de la tapa del arrancador.
- Limpie el filtro de aire. Consulte el apartado **Limpieza del filtro de aire** de la sección *Mantenimiento* de este manual.
- Permita que se caliente el motor antes de ajustar la velocidad de marcha lenta.

### **⚠ ADVERTENCIA:**

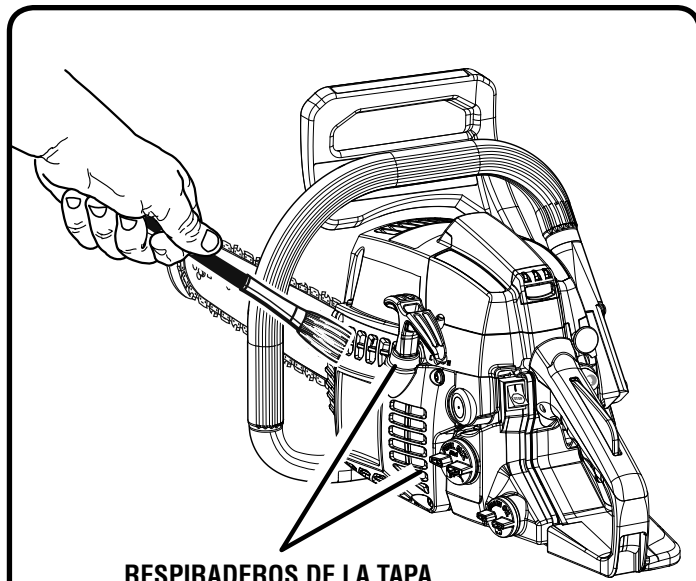
Las condiciones del tiempo y la altitud pueden afectar la carburación. No permita la presencia de personas cerca de la motosierra mientras ajusta el carburador.

**Ajuste de marcha lenta** — El ajuste de marcha lenta sirve para controlar qué tan abierta permanece la válvula del acelerador cuando se suelta el gatillo del mismo. Para ajustar:

- Gire a la derecha el tornillo de marcha lenta "T" si desea aumentar la misma.
- Gire a la izquierda el tornillo de marcha lenta "T" si desea disminuir la misma.

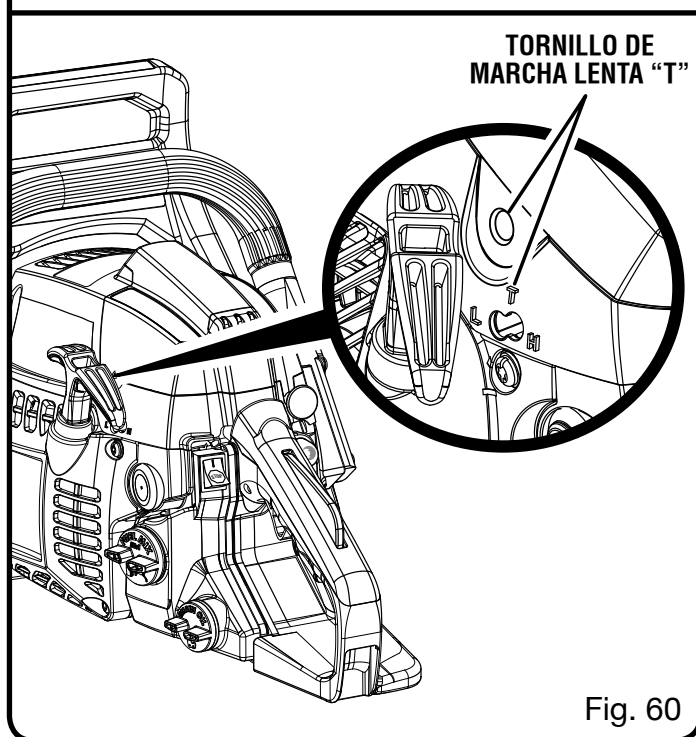
### **⚠ ADVERTENCIA:**

LA CADENA DE LA SIERRA NUNCA DEBE AVANZAR AL ESTAR EL MOTOR EN MARCHA LENTA. Si la cadena se mueve al estar el motor en marcha lenta, pueden resultar lesiones corporales serias.



RESPIRADEROS DE LA TAPA DEL ARRANCADOR

Fig. 59



TORNILLO DE MARCHA LENTA "T"

Fig. 60

# MANTENIMIENTO

## LIMPIEZA DE LA UNIDAD DEL ARRANCADOR

Vea la figura 61.

Con un cepillo o con aire comprimido, mantenga los respiraderos de enfriamiento de la unidad del arrancador despejados y libres de basura.

## LIMPIEZA DEL MOTOR

Vea las figuras 62 y 63.

Limpie periódicamente con aire comprimido las aletas del cilindro. Puede causarse un recalentamiento peligroso debido a las impurezas presentes en el cilindro.

### **⚠ ADVERTENCIA:**

Nunca accione la sierra sin estar todas las partes de la misma montadas firmemente, incluida la tapa del embrague y el alojamiento del arrancador. Si usa la sierra sin todas las partes en su lugar, podría ocasionar la muerte o sufrir lesiones personales graves.

Debido a que algunas piezas pueden fracturarse y presentar el peligro de salir disparadas, deje toda reparación del volante y del embrague a los técnicos de un centro de servicio calificado capacitados en la fábrica.

**NOTA:** Si observa alguna pérdida de potencia en la herramienta con motor de gasolina, la abertura de escape y el silenciador pueden estar obstruidos con depósitos de carbono. Puede ser necesario eliminar estos depósitos para restablecer el desempeño original de la unidad.

## REVISIÓN DEL FILTRO DE COMBUSTIBLE

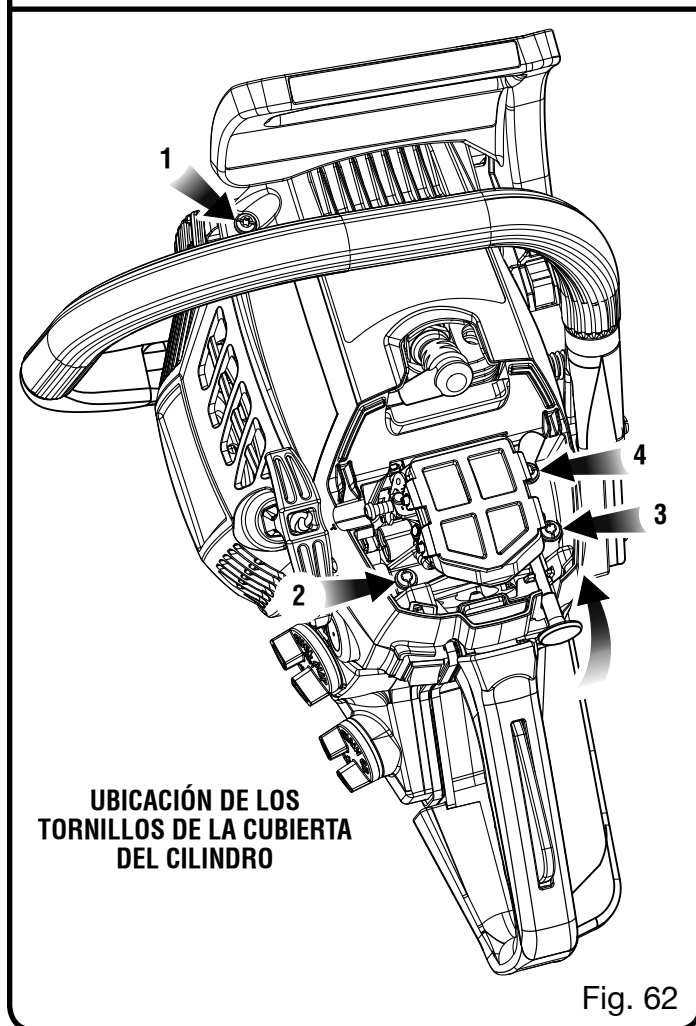
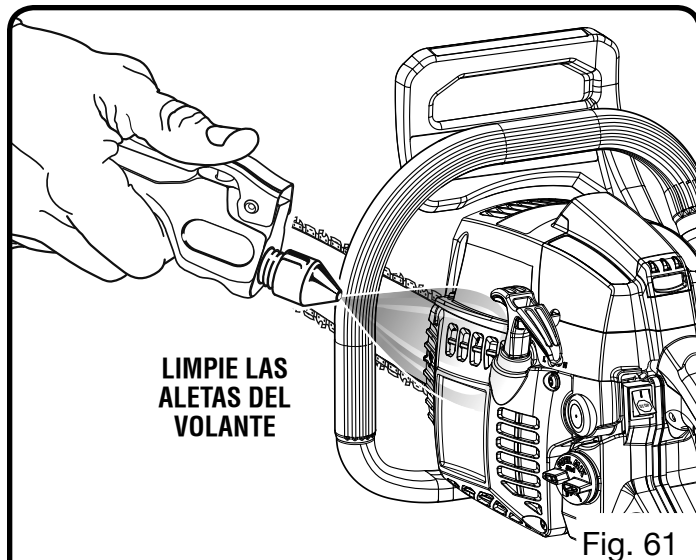
Vea la figura 64.

Revise periódicamente el filtro de combustible. Cámbielo si está contaminado o dañado.

## CAMBIO DE LA BUJÍA

Vea la figura 65.

En este motor se emplea una bujía Bosch WSR6F o Torch L7RTC con una separación interelectrónica de  $x 0,64 \text{ mm}$  (0,025 pulg.). Cada 50 horas, o con mayor frecuencia si es necesario, ponga una bujía nueva exactamente igual a la original.



### **AVISO:**

Deje que el motor se enfríe antes de retirar la bujía. Si retira la bujía con el motor caliente puede provocar daños graves en la motosierra.

# MANTENIMIENTO

- Retire la cubierta del filtro de aire como se describe en **Limpieza del filtro de aire** anteriormente en este manual.
- Afloje la bujía; para ello, gírela hacia la izquierda con una llave.
- Retire la bujía.
- Enrosque la nueva bujía con la mano, girándola hacia la derecha. Apriétela firmemente con una llave.

**NOTA:** Tenga cuidado de no estropear la rosca de la bujía. Si se estropea la rosca de la bujía, resultará seriamente dañado el cilindro.

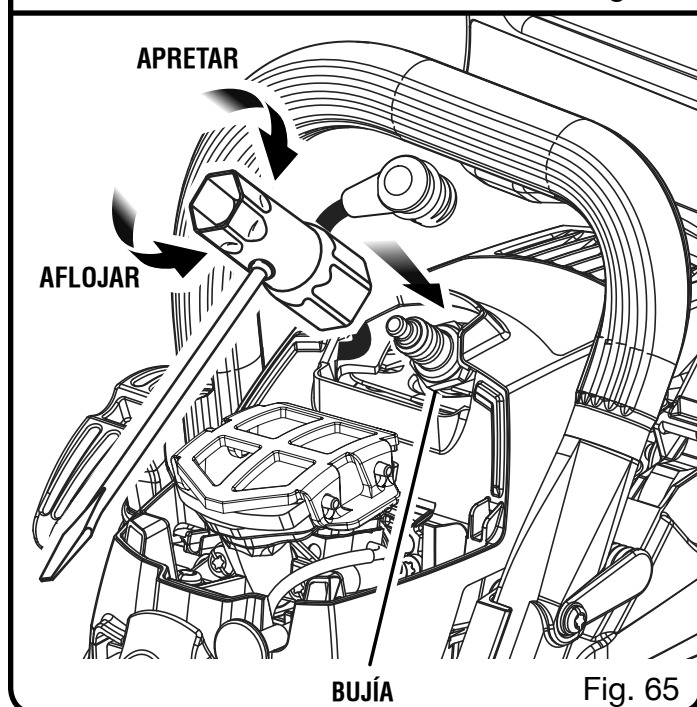
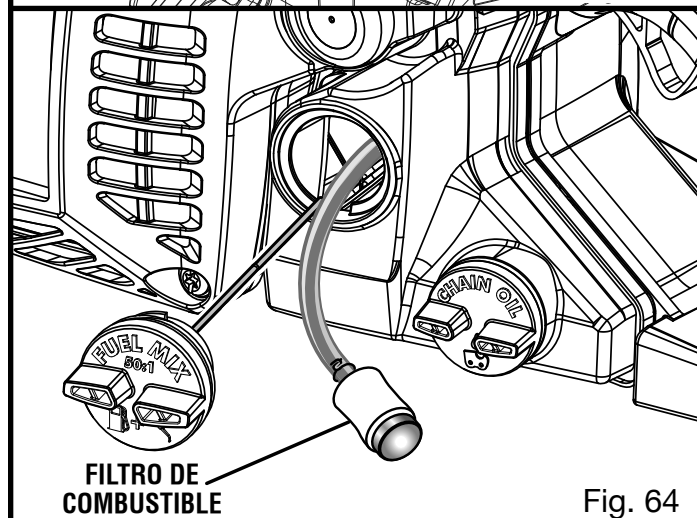
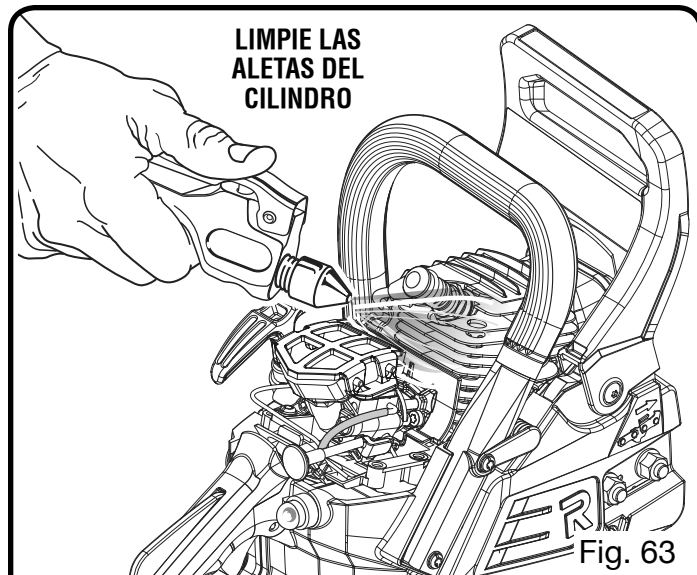
## LIMPIEZA DEL ORIFICIO DE ESCAPE, REEMPLAZAR DEL SILENCIADOR Y PARACHISPAS

### AVISO:

Este producto cuenta con un parachispas que ha sido evaluado por el Servicio Forestal del Departamento de Agricultura de EE. UU., sin embargo los usuarios del producto deben cumplir con los reglamentos de prevención de incendios locales, estatales y federales. Consulte a las autoridades que correspondan. Póngase en contacto con el servicio al cliente o un centro de servicio calificado para comprar un parachispas de repuesto.

**NOTA:** Dependiendo del tipo de combustible utilizado, el tipo y la cantidad de lubricante utilizado, o las condiciones de funcionamiento en particular, la abertura de escape, el silenciador y/o el parachispas pueden resultar obstruidos con depósitos de carbón. Si observa alguna pérdida de potencia en su herramienta con motor de gasolina, quizá sea necesario eliminar dichos depósitos para restaurar el rendimiento. Recomendamos enfáticamente que este servicio lo realicen únicamente los técnicos de servicio calificados.

Es necesario reemplazar el parachispas cada 50 horas para asegurarse del buen funcionamiento de la unidad. Los parachispas pueden estar instalados en diferentes posiciones dependiendo del modelo del cual se trate. Comuníquese con el establecimiento de servicio más cercano para confirmar la ubicación del parachispas para su modelo específico.



## **⚠ ADVERTENCIA:**

Nunca utilice la motosierra sin un silenciador equipado con un amortiguador de chispas en el lugar. De lo contrario puede producirse un incendio, con el consiguiente riesgo de lesiones serias.

## **INSPECCIÓN Y LIMPIEZA DEL FRENO DE LA CADENA**

Vea las figuras 66 y 67.

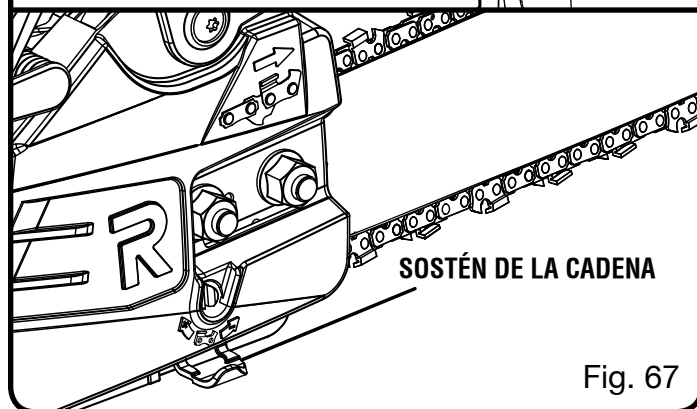
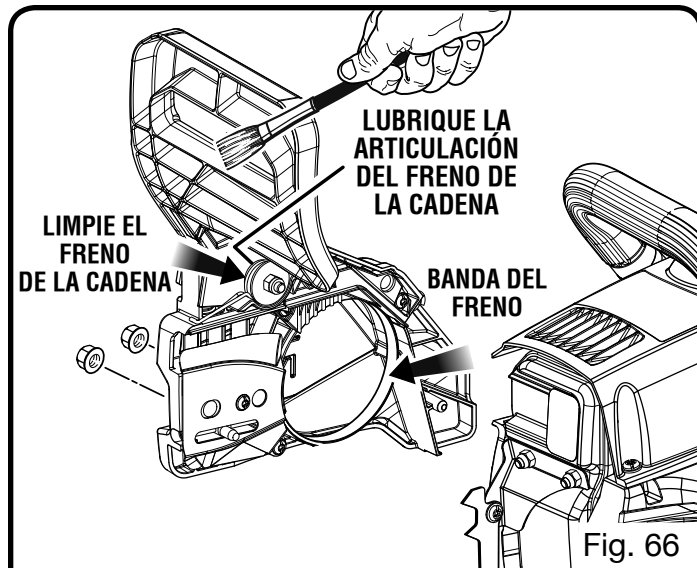
- Retire la tapa del embrague y limpie los componentes del freno de la cadena. Revise el desgaste de la banda del freno y cámbiela si está desgastada o deforme. El espesor mínimo de la banda debe ser 0,61 mm (0,024 pulg.), o un desgaste máximo hasta la mitad del espesor original.
- Siempre mantenga el mecanismo del freno de la cadena limpio, y lubrique ligeramente la articulación.
- Siempre pruebe el freno de la cadena antes de efectuar cualquier tarea de servicio o de limpieza de la unidad. Consulte el apartado **Funcionamiento del freno de la cadena**, donde encontrará información adicional.
- Revise el sostén de la cadena y cámbielo si está dañado.

## **⚠ ADVERTENCIA:**

Incluso con la limpieza diaria del mecanismo, no puede certificarse la seguridad del freno de la cadena en las condiciones de uso en el campo. Mantenga la protección SAFE-T-TIP de la punta puesta en la barra guía y aplique técnicas de corte adecuadas.

## **ALMACENAMIENTO DE LA MOTOSIERRA (UN MES O MÁS)**

- Drene todo el combustible del tanque en un recipiente de uso aprobado para gasolina.
- Ponga a funcionar el motor hasta que se apague por sí mismo. De esta manera se elimina toda la mezcla de combustible y aceite que pudiera deteriorarse, para luego dejar barniz y goma en el sistema de combustible.



- Oprima varias veces la bomba de cebado para purgar el combustible del carburador.
- Drene todo el aceite de la barra y la cadena en un recipiente aprobado para lubricante.
- Limpie toda materia extraña presente en la sierra.
- Almacene la unidad en un espacio bien ventilado inaccesible a los niños.

**NOTA:** Mantenga la unidad alejada de agentes corrosivos como los productos químicos para el jardín y las sales para derretir el hielo.

Cumpla todos los reglamentos federales y locales relacionados con la seguridad del almacenamiento y el manejo de gasolina. Todo combustible sobrante debe utilizarse en otro equipo con motor de dos tiempos.

# MANTENIMIENTO

## OPERACIÓN DEL MOTOR A ALTITUDES ELEVADAS

Su motor está configurado para funcionar por debajo de los 609,6 metros (2000 pies) de altitud medidos en la fábrica. Su motor está configurado para funcionar por debajo de los 609,6 metros (2000 pies) de altitud medidos en la fábrica. Hacer funcionar el motor con la configuración equivocada

a determinada altura puede aumentar las emisiones, reducir la eficiencia del combustible, perjudicar el funcionamiento y provocar daños irreversibles al motor. Los motores que estén configurados para funcionar en una altitud alta no se pueden utilizar en condiciones de altitud estándar. Un centro de servicio calificado debe asegurarle que su motor está debidamente configurado para funcionar donde usted se encuentre.

### PROGRAMA DE MANTENIMIENTO

Pieza de mantenimiento	Inspeccionar cada vez antes de usar la unidad	Limpiar cada 5 horas de uso	Reemplazar cada 25 horas de uso o cada año	Reemplácelo cada 50 Horas
* <b>CONJUNTO DE SILENCIADOR</b> .....				X
<b>PANTALLA PARACHISPAS</b> .....				X
* <b>CONJUNTO DEL FILTRO DE AIRE</b>				
incluye:				
Filtro.....				X
* <b>CONJUNTO DEL CARBURADOR</b>				
incluye:				
Juntas .....	X			
* <b>CONJUNTO DEL TANQUE DE COMBUSTIBLE</b>				
incluye:				
Conductos de combustible .....	X			
Tapa del tanque de combustible .....	X			
Filtro de combustible.....			X	
* <b>CONJUNTO DEL ENCENDIDO</b>				
incluye:				
Bujía.....				X
* <b>AVISO:</b> EL USO DE COMPONENTES DE CONTROL DE EMISIONES QUE NO SEAN LOS DISEÑADO PARA ESTA UNIDAD INFRINGE LA LEGISLACIÓN FEDERAL.				

## COMBINACIONES DE BARRA Y CADENA

**Especificaciones de la cadena:** 9,5 mm (3/8 pulg.) de paso, 1,3 mm (0,050 pulg.) de calibre, dientes de bajo perfil de garganta ancha grande

Longitud barra	Núm. pieza barra guía	Núm. pieza cadena	Eslabones de impulsión
45,7 cm (18 pulg.)	312655001	POWERCARE Y62	62

## CORRECCIÓN DE PROBLEMAS

Problema	Causa posible	Solución
El motor no arranca.	<p>No hay chispa.</p> <p>Está ahogado el motor.</p>	<p>Revise la chispa. Retire la tapa del limpiador de aire. Retire la bujía del cilindro. Vuelva a conectar el cable de la bujía y colóquela encima del cilindro con la parte metálica tocando el cilindro. Tire de la cuerda de arranque y observe la chispa en el electrodo de la bujía. Si no hay chispa, repita la prueba con una bujía nueva.</p> <p>Retire la bujía. Coloque la perilla del anegador en la posición de MARCHA (hasta el fondo) y tire de la cuerda de arranque de 15 a 20 veces. De esta manera se elimina el exceso de combustible del motor. Limpie la bujía y vuelva a instalarla. Oprima y suelte totalmente diez veces la bomba de cebado. Tire del arrancador tres veces con la perilla del anegador en la posición de FUNCIONAMIENTO. Si no arranca el motor, ponga la perilla del anegador en ANEGACIÓN MEDIA y repita el procedimiento normal de arranque. Si aún no arranca el motor, repita el procedimiento con una bujía nueva.</p>
El motor arranca, pero no acelera adecuadamente.	La aguja "L" (inyección moderada) del carburador necesita un ajuste.	Lleve la unidad a un centro de servicio calificado para darle un ajuste al carburador.
El motor arranca y luego se apaga.	La aguja "L" (inyección moderada) del carburador necesita un ajuste.	Lleve la unidad a un centro de servicio calificado para darle un ajuste al carburador.
El motor arranca, pero no funciona adecuadamente a alta velocidad.	La aguja "H" (inyección intensa) del carburador necesita un ajuste.	Lleve la unidad a un centro de servicio calificado para darle un ajuste al carburador.
El motor no alcanza la máxima velocidad y/o despidе demasiado humo.	<p>Está incorrecta la mezcla de lubricante y combustible.</p> <p>Está sucio el filtro de aire.</p> <p>La aguja "H" (inyección intensa) del carburador necesita un ajuste.</p>	<p>Use combustible nuevo y la proporción correcta de mezcla con lubricante para motor de dos tiempos.</p> <p>Limpie el filtro de aire. Consulte el apartado <b>Limpieza del filtro de aire</b> en la sección <i>Mantenimiento</i> de este manual.</p> <p>Lleve la unidad a un centro de servicio calificado para darle un ajuste al carburador.</p>
El motor arranca, funciona y acelera, pero no puede ponerse en marcha lenta.	Es necesario ajustar la marcha lenta en el carburador.	Gire hacia la derecha el tornillo de marcha lenta "T" para aumentar la misma. Consulte el apartado <b>Ajuste del carburador</b> de la sección <i>Mantenimiento</i> de este manual.

# CORRECCIÓN DE PROBLEMAS

Problema	Causa posible	Solución
La cadena avanza estando el motor en marcha lenta.	Es necesario ajustar la marcha lenta en el carburador. Hay una fuga de aire en el sistema de admisión.	Gire hacia la izquierda el tornillo de marcha lenta "T" para disminuir la misma. Consulte el apartado <b>Ajuste del carburador</b> de la sección <i>Mantenimiento</i> de este manual. Comuníquese con un centro de servicio calificado para ver la posibilidad de instalar un carburador reconstruido.
La barra y la cadena están muy calientes y despiden humo.	Está vacío el tanque de aceite de la cadena. Demasiada tensión en la cadena.  No está funcionando el lubricador.  Están obstruidos los pasajes del lubricante.	El tanque de aceite debe llenarse cada vez que se llena el de combustible. Tense la cadena según las instrucciones indicadas en el apartado <b>Ajuste de la tensión de la cadena</b> en la sección <i>Mantenimiento</i> de este manual. Accione el motor a media aceleración de 30 a 45 segundos. Detenga la sierra y revise para ver si hay señales de goteo de aceite por la protección SAFE-T-TIP y por la barra guía. Si hay aceite presente, es posible que esté desafilada la cadena o que esté dañada la barra. Si no hay aceite presente en la protección SAFE-T-TIP, comuníquese con un centro de servicio calificado. Retire la tapa del embrague y la placa de la barra guía, y luego limpie los pasajes del lubricante con un cepillo de cerdas rígidas.
El motor arranca y funciona, pero la cadena no avanza.	Está puesto el freno de la cadena.  Demasiada tensión en la cadena.  No están bien ensambladas la barra guía y la cadena. Están dañadas la barra guía y/o la cadena.  Está dañada la rueda dentada de impulsión.	Suelte el freno de la cadena. Consulte el apartado <b>Funcionamiento del freno de la cadena</b> en la sección <i>Mantenimiento</i> de este manual. Tense la cadena según las instrucciones indicadas en el apartado <b>Ajuste de la tensión de la cadena</b> en la sección <i>Mantenimiento</i> de este manual. Consulte el apartado <b>Reemplazo de la barra guía y la cadena</b> en la sección <i>Mantenimiento</i> de este manual.  Inspeccione la barra guía y la cadena para ver si están dañadas.  Lleve la unidad a un centro de servicio calificado para reemplazar la rueda dentada.

Si el problema persiste después de probar las soluciones mencionadas arriba, contacto con el servicio al cliente o con un centro de servicio calificado para solicitar asistencia.

## **AVISO:**

Como propietario equipo, usted es responsable de la que realice el mantenimiento obligatorio que se indica en la sección *Mantenimiento*. Le recomendamos que guarde todos los comprobantes relacionados con el mantenimiento de su equipo. Negligencia o falta del mantenimiento indicado puede aumentar las emisiones, reducir la eficiencia del combustible, perjudicar el funcionamiento, provocar daños irreversibles al motor y anulará su garantía.



# GARANTÍA

## DECLARACIÓN DE LA GARANTÍA LIMITADA

Techtronic Industries North America, Inc. garantiza al comprador original al menudeo que este producto de la marca RYOBI® carece de defectos en los materiales y en la mano de obra, y acuerda reparar o reemplazar, a la sola discreción de Techtronic Industries North America, Inc., cualquier producto defectuoso, sin cargo alguno al comprador, dentro de los siguientes períodos de tiempo a partir de la fecha de compra.

- Tres años si los productos se emplean para uso personal, familiar o casero;
- 30 días si el producto se emplea para cualquier otro propósito, como el uso comercial o el de alquiler.

Esta garantía se otorga solamente al comprador original al menudeo, y comienza en la fecha de la compra original al menudeo.

Cualquier parte de este producto Techtronic Industries North America, Inc. que, a juicio razonable de la compañía, tenga defectos en los materiales o en la mano de obra, será reparado o reemplazado por un centro de servicio autorizado de herramientas para uso en el exterior de la marca RYOBI®, sin cargo alguno al comprador por concepto de piezas y mano de obra (Centro de Servicio Autorizado Ryobi).

El producto, incluida toda pieza defectuosa, debe enviarse a un centro de servicio autorizado RYOBI dentro del período de la garantía. El gasto de enviar el producto al centro de servicio para cualquier trabajo cubierto por la garantía, así como el gasto de devolverlo al propietario después de la reparación, correrán por cuenta del propietario. La responsabilidad de Techtronic Industries North America, Inc. con respecto a todo reclamo se limita a las reparaciones o reemplazo del producto, y ningún reclamo de incumplimiento de la garantía será causante de la cancelación o rescisión del contrato de venta de ninguna herramienta de uso en el exterior de la marca RYOBI®. En el establecimiento se requerirá el recibo de compra para respaldar cualquier reclamo al amparo de la garantía. Todo trabajo cubierto en la garantía debe ser realizado por un concesionario de servicio autorizado.

Esta garantía se limita a treinta (30) días a partir de la fecha original de la compra de cualquier herramienta de uso en el exterior de la marca RYOBI® empleada para propósitos comerciales o de alquiler, o cualquier otro propósito generador de ingresos.

Esta garantía no cubre ningún producto que haya sido sujeto a un uso indebido, maltrato, negligencia o accidente, o que haya sido utilizado de cualquier forma contraria a las instrucciones de manejo especificadas en el manual del operador del producto. Esta garantía no aplica a ningún daño en el producto que resulte de un mantenimiento indebido ni a ningún producto que haya sido alterado o modificado. La garantía no cubre ninguna reparación necesaria por el uso normal ni por el uso de piezas o accesorios que sean incompatibles con la herramienta para uso exterior de la marca RYOBI®, o afecten de forma desfavorable su funcionamiento, desempeño o durabilidad.

Además, esta garantía no cubre:

- A. Artículos sujetos a desgaste – Perillas de tope, carretes exteriores, hilos de corte, carretes interiores, cuerdas del

arrancador, correas de transmisión, aspas, arandelas de fieltro y pasadores de enganche, hojas de triturar, ventiladores de sopladoras, tubos de sopladoras y de aspiradoras, sacos y correas de aspiradoras, barras guía y cadenas de sierras

- B. Elementos de mantenimiento según se describen en el Programa de mantenimiento suministrado en el manual del operador

Techtronic Industries North America, Inc. se reserva el derecho a cambiar o mejorar el diseño de cualquier herramienta para uso en el exterior de la marca RYOBI® sin asumir ninguna obligación de modificar ningún producto fabricado previamente.

TODAS LAS GARANTÍAS IMPLÍCITAS ESTÁN LIMITADAS EN DURACIÓN SEGÚN EL PERÍODO DE GARANTÍA DECLARADA. POR CONSIGUIENTE, CUALQUIER GARANTÍA IMPLÍCITA, INCLUSO LAS DE COMERCIABILIDAD, IDONEIDAD PARA UN PROPÓSITO EN PARTICULAR, O DE CUALQUIER TIPO, PIERDEN TOTALMENTE SU VALIDEZ DESPUÉS DEL VENCIMIENTO DEL PERÍODO DE GARANTÍA CORRESPONDIENTE DE TRES AÑOS O TREINTA DÍAS. DE CONFORMIDAD CON ESTA GARANTÍA, LA OBLIGACIÓN DE TECHTRONIC INDUSTRIES NORTH AMERICA, INC. SE LIMITA ESTRICTA Y EXCLUSIVAMENTE A LA REPARACIÓN O REPLAZO DE LAS PIEZAS DEFECTUOSAS, Y TECHTRONIC INDUSTRIES NORTH AMERICA, INC. NO ASUME NINGUNA OTRA OBLIGACIÓN, NI AUTORIZA A NADIE ASUMIRLA A NOMBRE DE DICHA COMPAÑÍA. ALGUNOS ESTADOS NO PERMITEN LIMITACIONES EN CUANTO A LA DURACIÓN DE UNA GARANTÍA IMPLÍCITA, POR LO CUAL ES POSIBLE QUE LA LIMITACIÓN ANTERIOR NO SE APLIQUE EN EL CASO DE USTED. TECHTRONIC INDUSTRIES NORTH AMERICA, INC. NO ASUME NINGUNA RESPONSABILIDAD POR DAÑOS DIRECTOS, INDIRECTOS O DE NINGÚN OTRO TIPO, COMO EL GASTO DE ENVIAR EL PRODUCTO A UN CENTRO DE SERVICIO AUTORIZADO RYOBI Y EL GASTO DE ENVIARLO DE ALLÍ AL PROPIETARIO, EL TIEMPO DE VIAJE DEL MECÁNICO, CARGOS TELEFÓNICOS O TELEGRÁFICOS, ALQUILER DE UN PRODUCTO SUSTITUTO DURANTE EL TIEMPO DE REALIZACIÓN DEL SERVICIO DE LA GARANTÍA, VIAJES, PÉRDIDA O DAÑOS A OBJETOS DE PROPIEDAD PERSONAL, PÉRDIDA DE INGRESOS, PÉRDIDA DEL USO DEL PRODUCTO, PÉRDIDA DE TIEMPO O INCONVENIENTES. EN ALGUNOS ESTADOS NO SE PERMITE LA EXCLUSIÓN O LIMITACIÓN DE DAÑOS DIRECTOS O INDIRECTOS, POR LO CUAL ES POSIBLE QUE LA LIMITACIÓN O EXCLUSIÓN DESCRITA ARRIBA NO SE APLIQUE EN SU CASO.

Esta garantía le confiere derechos legales específicos, y es posible que usted goce de otros derechos, los cuales pueden variar de estado a estado.

Esta garantía se aplica a todas las herramientas para uso en el exterior de la marca RYOBI® fabricadas por Techtronic Industries North America, Inc. y vendidos en Estados Unidos y Canadá.

Para encontrar el centro de servicio autorizado Ryobi más cercano a usted, llame al 1-800-860-4050.







# OPERATOR'S MANUAL MANUEL D'UTILISATION/MANUAL DEL OPERADOR

## 18 in. 38cc Chain Saw

Scie à chaîne de 38 cc de 46 cm (18 po)/Motosierra de 46 cm (18 pulg.), 38 cc

### RY3818

• **PARTS AND SERVICE:** Prior to requesting service or purchasing replacement parts, please obtain your item, manufacturing, and serial numbers from the product data plate.

ITEM NO. \_\_\_\_\_

MANUFACTURING NO. \_\_\_\_\_

SERIAL NO. \_\_\_\_\_

**HOW TO OBTAIN REPLACEMENT PARTS:** Replacement parts can be purchased online at [www.ryobitools.com](http://www.ryobitools.com) or by calling 1-800-860-4050. Replacement parts can also be obtained at one of our service centers.

**HOW TO LOCATE A SERVICE CENTER:** Service centers can be located online at [www.ryobitools.com](http://www.ryobitools.com) or by calling 1-800-860-4050.

**HOW TO OBTAIN CUSTOMER OR TECHNICAL SUPPORT:** To obtain customer or technical support please contact us at 1-800-860-4050.

RYOBI is a registered trademark of Ryobi Limited and is used pursuant to a license granted by Ryobi Limited.

• **PIÈCES ET SERVICE :** Avant de faire la demande de service ou l'achat de pièces de remplacement, veuillez obtenir le numéro d'article, le numéro de fabrication et le numéro de série à partir de la plaque de données du produit.

NUMÉRO D'ARTICLE \_\_\_\_\_

NUMÉRO DE FABRICATION \_\_\_\_\_

NUMÉRO DE SÉRIE \_\_\_\_\_

**COMMENT OBTENIR LES PIÈCES DE REMPLACEMENT :** Les pièces de remplacement peuvent être achetées en ligne sur le site [www.ryobitools.com](http://www.ryobitools.com) ou par téléphone au 1-800-860-4050. Les pièces de remplacement peuvent être obtenues à un de nos centres de service.

**COMMENT TROUVER UN CENTRE DE SERVICE :** Les centres de service peuvent être localisés en ligne au [www.ryobitools.com](http://www.ryobitools.com) ou en téléphonant au 1-800-860-4050.

**COMMENT OBTENIR DE L'AIDE EN CONTACTANT LE SERVICE À LA CLIENTÈLE :** Pour contacter le service à la clientèle pour une question technique ou pour tout autre renseignement, veuillez nous téléphoner au 1-800-860-4050.

RYOBI est une marque déposée de Ryobi Limited et est utilisée en vertu d'une licence accordée par Ryobi Limited.

• **PIEZAS DE REPUESTO Y SERVICIO:** Antes de solicitar servicio técnico o comprar piezas de repuesto, obtenga su número de artículo, el número de fabricación y el número de serie de la placa de datos del producto.

NÚMERO DE ARTÍCULO \_\_\_\_\_

NÚMERO DE FABRICACIÓN \_\_\_\_\_

NÚMERO DE SERIE \_\_\_\_\_

**CÓMO OBTENER PIEZAS DE REPUESTO:** Las piezas de repuesto se pueden comprar en nuestro sitio en la red mundial, en la dirección [www.ryobitools.com](http://www.ryobitools.com) o llamando al 1-800-860-4050. Las piezas de repuesto también se pueden obtener en uno de nuestros centros de servicio.

**CÓMO LOCALIZAR UN CENTRO DE SERVICIO:** Puede encontrar los centros de servicio visitando nuestro sitio en la red mundial, en la dirección [www.ryobitools.com](http://www.ryobitools.com) or by calling 1-800-860-4050.

**CÓMO OBTENER SERVICIO O ASISTENCIA TÉCNICA AL CONSUMIDOR:** Para obtener servicio o asistencia técnica al consumidor, sírvase comunicarse con nosotros llamando al 1-800-860-4050.

RYOBI es una marca registrada de Ryobi Limited y se utiliza conforme a una licencia otorgada por Ryobi Limited.

## TECHTRONIC INDUSTRIES POWER EQUIPMENT

1428 Pearman Dairy Road, Anderson, SC 29625 USA

1-800-860-4050 • [www.ryobitools.com](http://www.ryobitools.com)

995000353

1-23-18 (REV:03)