

BT7870A0TX/BT7870B0TX

Bainbridge Corner Vanity Sink

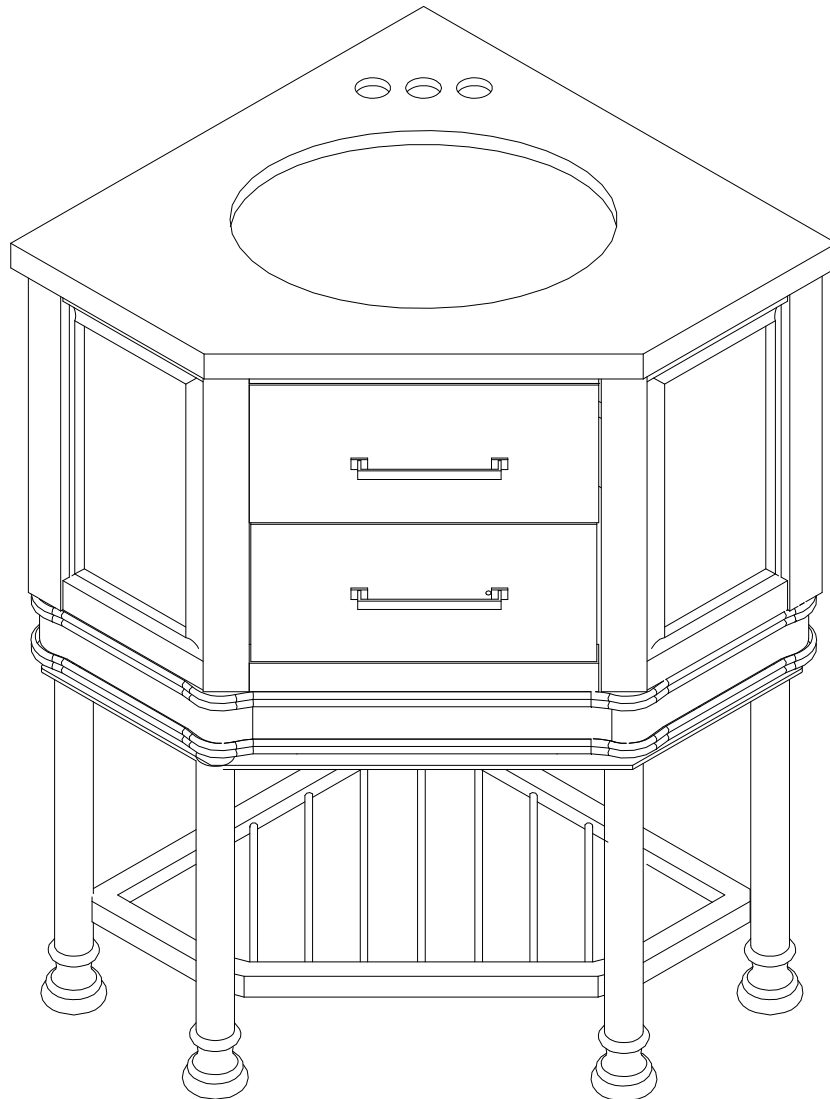
Assembly Instructions



Southern
ENTERPRISES

For assistance with assembly, contact:
Southern Enterprises, Inc.
Customer Service: 1-800-633-5096
service@seidal.com
www.seifurniturestore.com

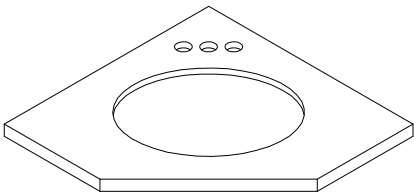
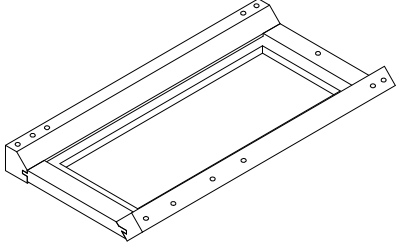
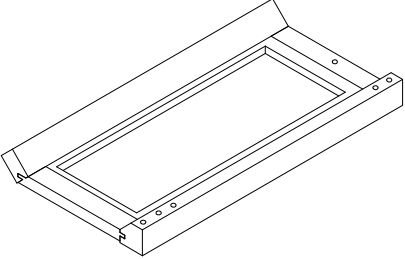
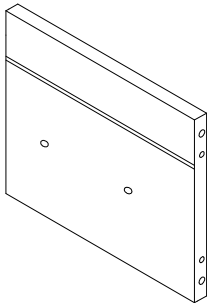
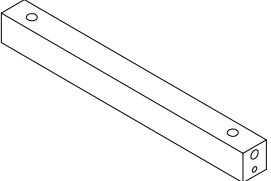
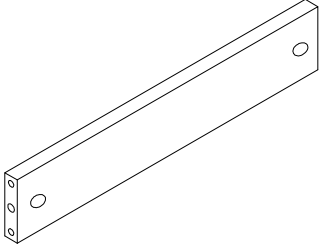
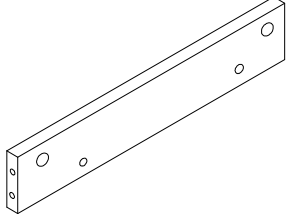
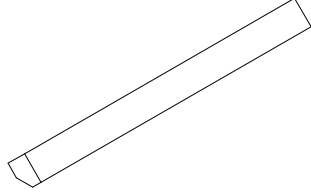
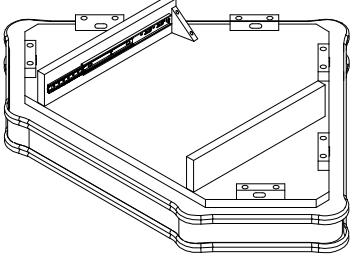
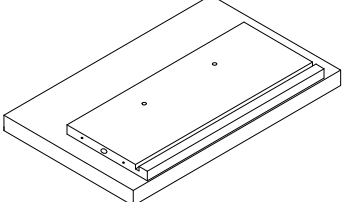
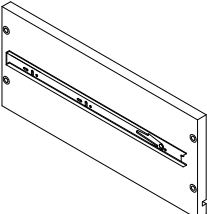
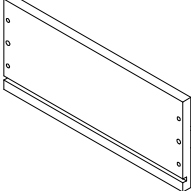
PO#:

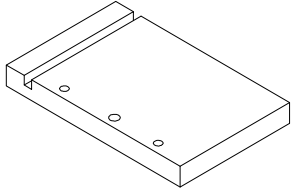
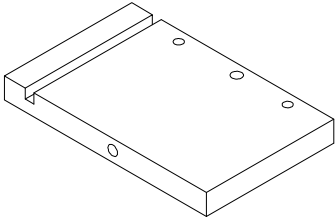
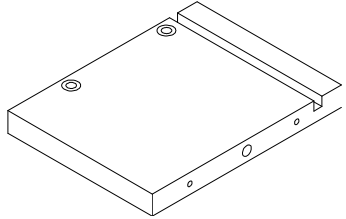
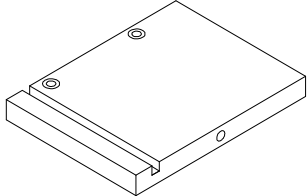
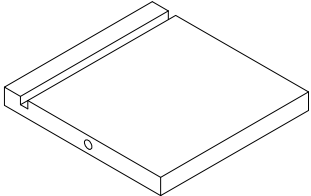
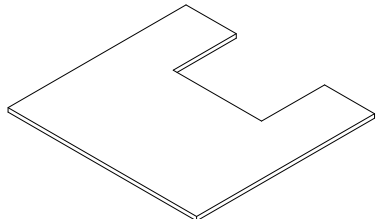
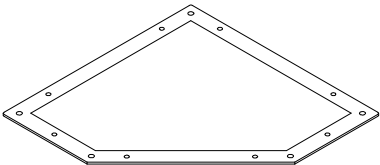
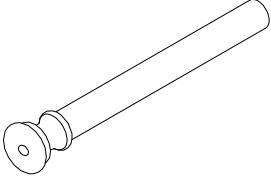
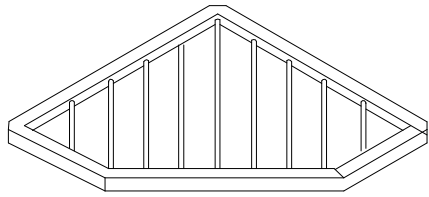

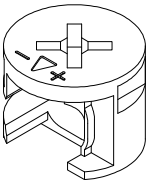
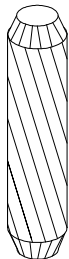


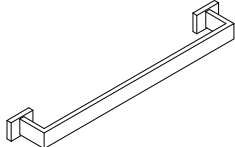


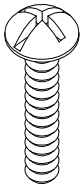
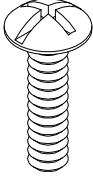
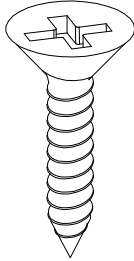
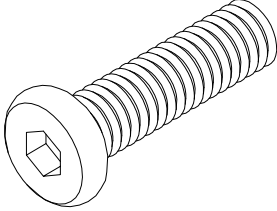
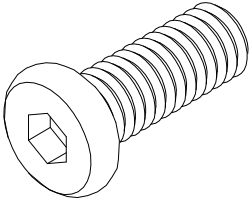
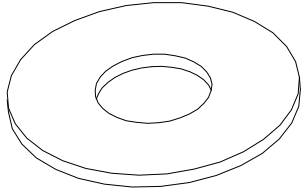
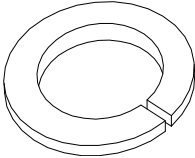
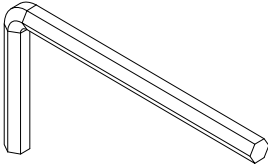
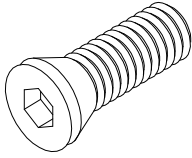
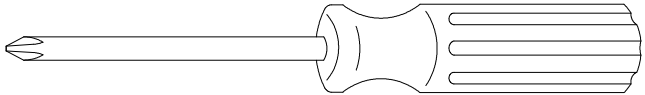
Bainbridge Corner Vanity Sink

Parts List

Please check packaging for all parts and hardware before discarding. Before beginning assembly, separate each type of hardware. Carefully study the diagrams below and check that you have all parts indicated. Call Customer Service if missing any hardware. Using the incorrect hardware will cause damage.

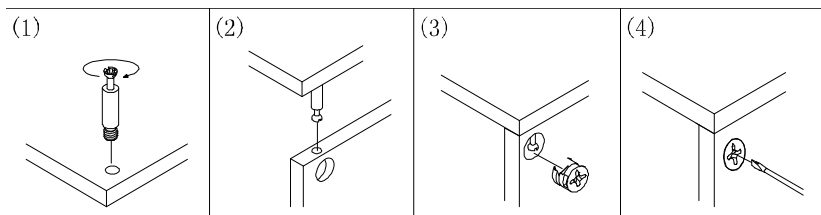
<p>1) Quantity of 1</p>  <p>Marble Top</p>	<p>2L) Quantity of 1</p>  <p>Left Side Panel</p>	<p>2R) Quantity of 1</p>  <p>Right Side Panel</p>
<p>3) Quantity of 1</p>  <p>Faux Drawer Front Panel</p>	<p>4) Quantity of 1</p>  <p>Bottom Rail</p>	<p>5) Quantity of 2</p>  <p>Back Top Rail</p>
<p>6) Quantity of 2</p>  <p>Back Lower Rail</p>	<p>7) Quantity of 1</p>  <p>Back Post</p>	<p>8) Quantity of 1</p>  <p>Bottom Panel</p>
<p>9) Quantity of 1</p>  <p>Drawer Front Panel</p>	<p>10L) Quantity of 1</p>  <p>Drawer Side Left</p>	<p>10R) Quantity of 1</p>  <p>Drawer Side Right</p>

<p>11L) Quantity of 1</p>  <p>Drawer Back Panel Left</p>	<p>11R) Quantity of 1</p>  <p>Drawer Back Panel Right</p>	<p>12L) Quantity of 1</p>  <p>Drawer Vertical Panel Left</p>
<p>12R) Quantity of 1</p>  <p>Drawer Vertical Panel Right</p>	<p>13) Quantity of 1</p>  <p>Drawer Back Panel Middle</p>	<p>14) Quantity of 1</p>  <p>Drawer Bottom Panel</p>
<p>15) Quantity of 1</p>  <p>Top Metal Frame</p>	<p>16) Quantity of 5</p>  <p>Leg</p>	<p>17) Quantity of 1</p>  <p>Metal Shelf Frame</p>
<p>A) Quantity of 15</p>  <p>Cam Bolts</p>	<p>B) Quantity of 15</p>  <p>Cam Lock</p>	<p>C) Quantity of 18</p>  <p>Wood Dowel Dia :8*30</p>
<p>D) Quantity of 3</p>  <p>Wood Dowel Dia :6*30</p>	<p>E) Quantity of 9</p>  <p>Wood Dowel Dia :6*20</p>	<p>F) Quantity of 2</p>  <p>Knob</p>

<p>G)  Quantity of 2</p> <p>Small Bolts Dia.5/32"*7/8"L</p>	<p>H)  Quantity of 2</p> <p>Small Bolts Dia.5/32"*1-3/8"L</p>	<p>I)  Quantity of 16+2</p> <p>Screw Dia.8*1"L</p>
<p>J)  Quantity of 6</p> <p>Bolts. Dia:1/4"*1-3/8"L</p>	<p>K)  Quantity of 13</p> <p>Bolts. Dia:1/4"*5/8"L</p>	<p>L)  Quantity of 21</p> <p>Flat washer</p>
<p>M)  Quantity Of 21</p> <p>Spring washer</p>	<p>N)  Quantity of 1</p> <p>Allen wrench</p>	<p>O)  Quantity of 5</p> <p>Bolts. Dia:1/4"*1/2"L</p>
<p>Care and Cleaning Instructions: Before using, wipe with a clean, dry cloth. Avoid rubbing or scratching the surface with rough or abrasive objects.</p>		<p>For replacement parts or questions, please call SEI Customer Service at 1-800-633-5096.</p>
<p>Assembly Tool Required: No.2 Phillips Screwdriver (Not Included)</p>		

BAINBRIDGE CORNER VANITY SINK

Assembly Instructions



Do not overtighten cam bolts. Stop when they feel secure.

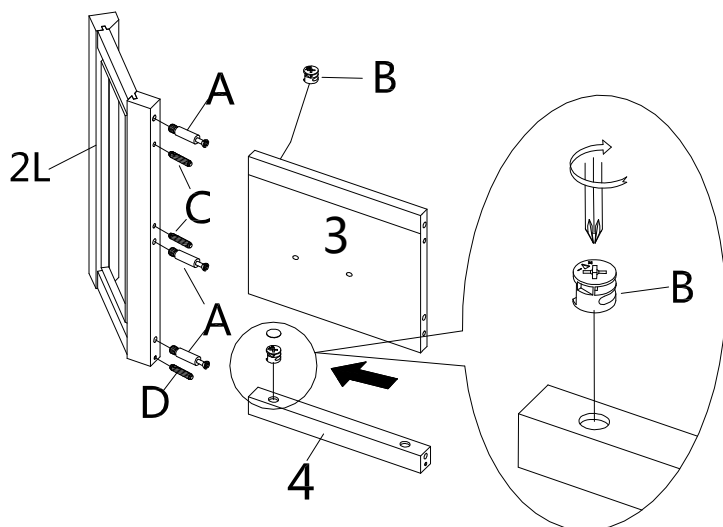


Figure 1

Insert Cam Locks **(B)** into corresponding holes on Faux Drawer Front Panel **(3)** and Bottom Rail **(4)**.

Screw Cam Bolts **(A)** into threaded holes on Left Panel **(2L)**.

Attach Left Panel **(2L)** to Faux Drawer Front Panel **(3)** and Bottom Rail **(4)** by inserting Cam Bolts **(A)** and Wood Dowels **(C/D)** into corresponding holes until all panels meet.

Tighten Cam Bolts **(A)** by rotating Cam Locks **(B)** clockwise using Phillips screwdriver (not included).

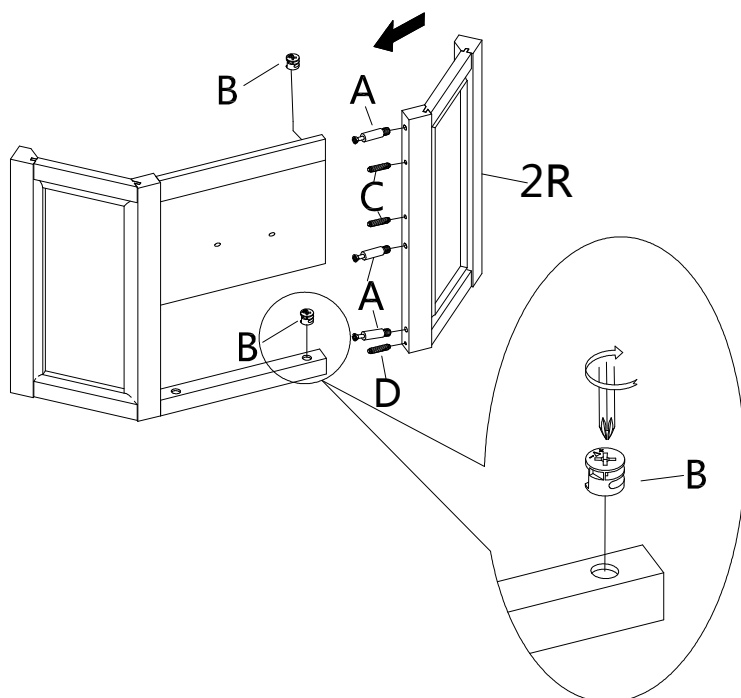


Figure 2

Insert Cam Locks **(B)** into corresponding holes on Faux Drawer Front Panel **(3)** and Bottom Rail **(4)**.

Screw Cam Bolts **(A)** into threaded holes on Right Panel **(2R)**.

Attach Right Panel **(2R)** to Faux Drawer Front Panel **(3)** and Bottom Rail **(4)** by inserting Cam Bolts **(A)** and Wood Dowels **(C/D)** into corresponding holes until all panels meet.

Tighten Cam Bolts **(A)** by rotating Cam Locks **(B)** clockwise using Phillips screwdriver (not included).

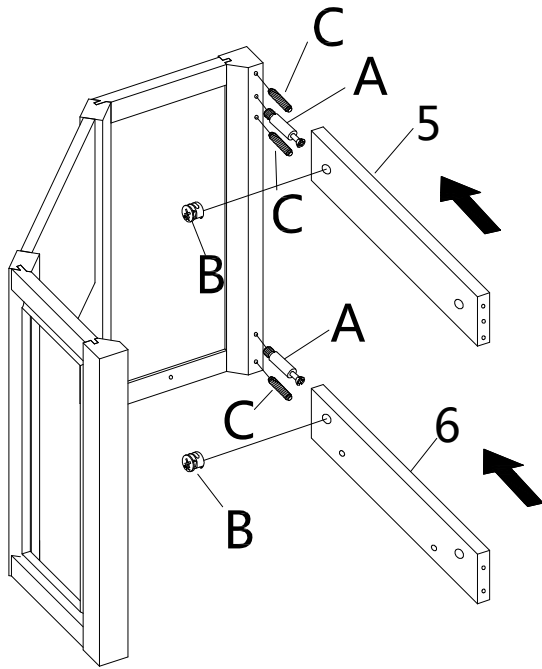


Figure 3

Insert Cam Locks **(B)** into corresponding holes on Back Rails **(5/6)**

Screw Cam Bolts **(A)** into threaded holes on pre-assembled unit from Figure 2.

Attach Back Rails **(5/6)** to pre-assembled unit from Figure 2 by inserting Cam Bolts **(A)** and Wood Dowels **(C)** into corresponding holes until all panels meet.

Tighten Cam Bolts **(A)** by rotating Cam Locks **(B)** clockwise using Phillips screwdriver (not included).

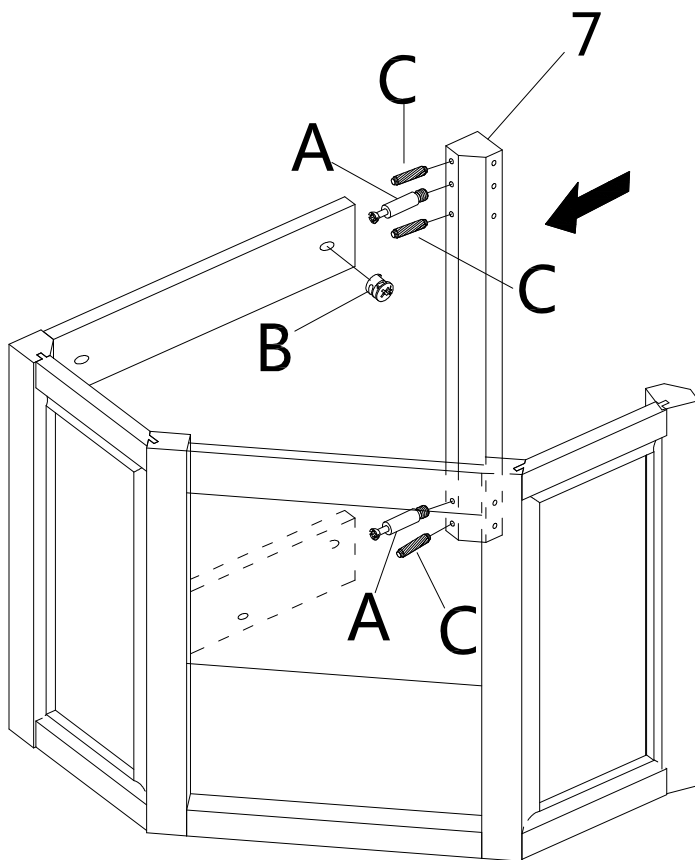


Figure 4

Insert Cam Locks **(B)** into corresponding holes on pre-assembled unit from Figure 3.

Screw Cam Bolts **(A)** into threaded holes on Back Post **(7)**.

Attach Back Post **(7)** to pre-assembled unit from Figure 3 by inserting Cam Bolts **(A)** and Wood Dowels **(C)** into corresponding holes until all panels meet.

Tighten Cam Bolts **(A)** by rotating Cam Locks **(B)** clockwise using Phillips screwdriver (not included).

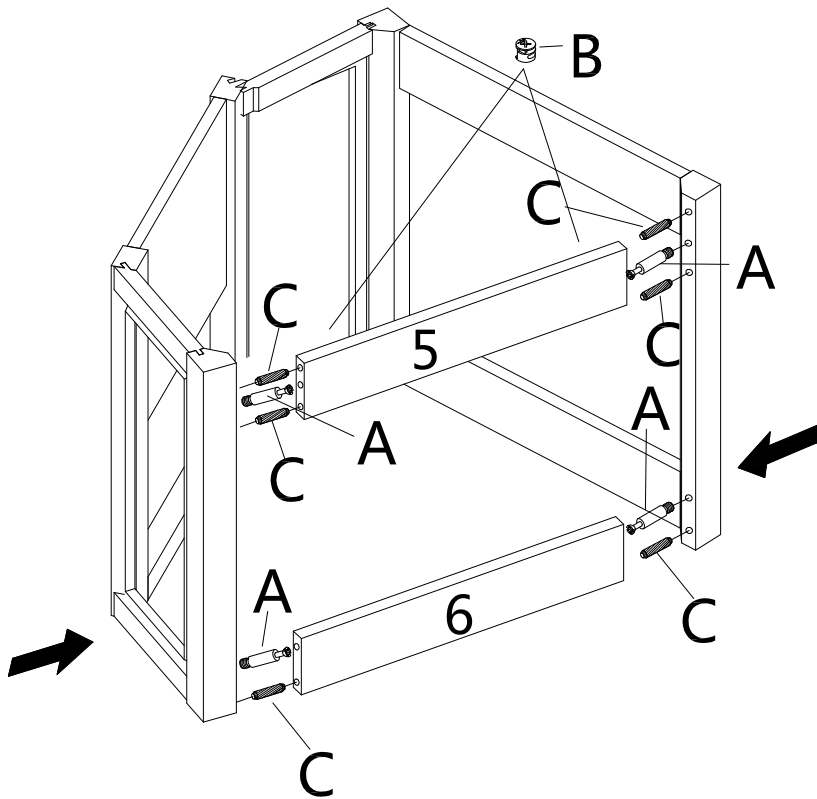


Figure 5

Insert Cam Locks **(B)** into corresponding holes on Back Rails **(5/6)**.

Screw Cam Bolts **(A)** into threaded holes on pre-assembled unit from Figure 4.

Attach Back Rails **(5/6)** to pre-assembled unit from Figure 4 by inserting Cam Bolts **(A)** and Wood Dowels **(C)** into corresponding holes until all panels meet.

Tighten Cam Bolts **(A)** by rotating Cam Locks **(B)** clockwise using Phillips screwdriver (not included).

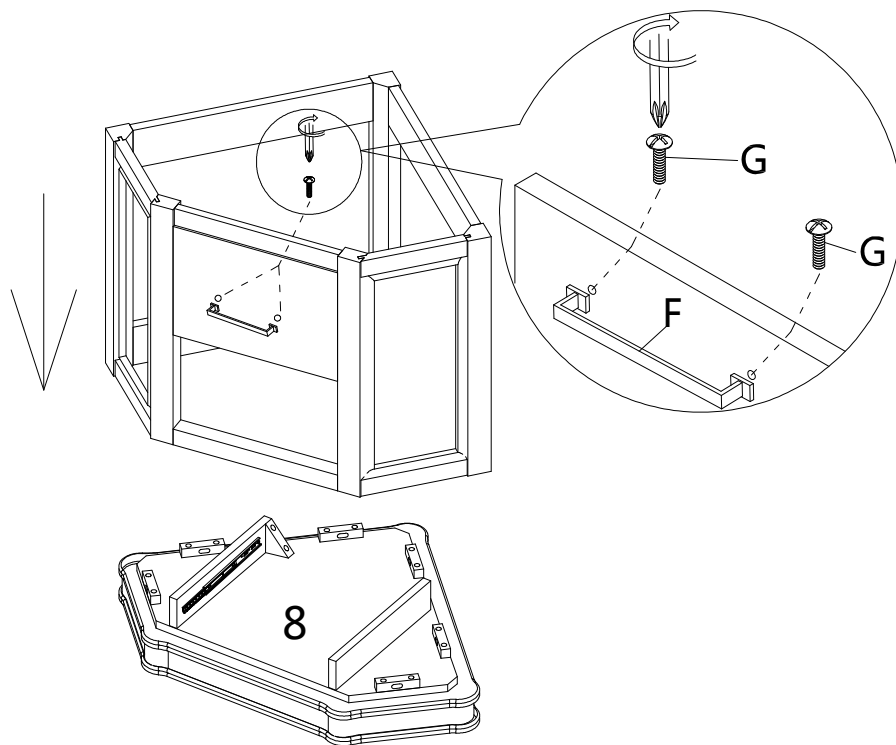


Figure 6

Attach Handle **(F)** to pre-assembled unit from Figure 5 with Small Bolts **(G)**.

Tighten Bolts **(G)** with Phillips screwdriver (not included).

Attach pre-assembled unit from Figure 5 to Bottom Panel **(8)**.

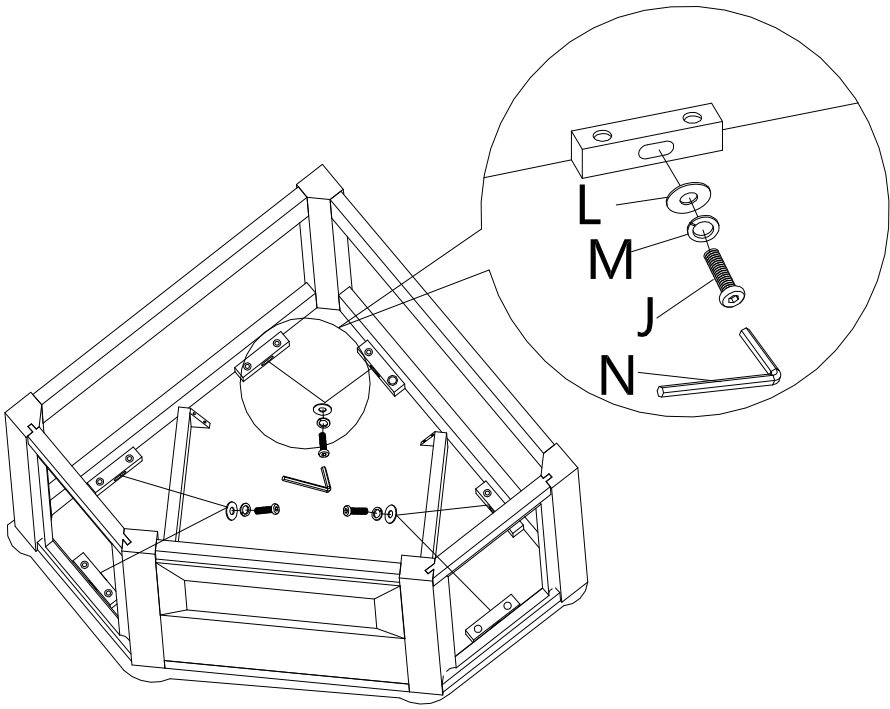


Figure 7

Connect pre-assembled unit from Figure 5 to Bottom Panel (8) with Bolts (J) and Washers (L/M).

Tighten Bolts (J) with Allen Wrench (N).

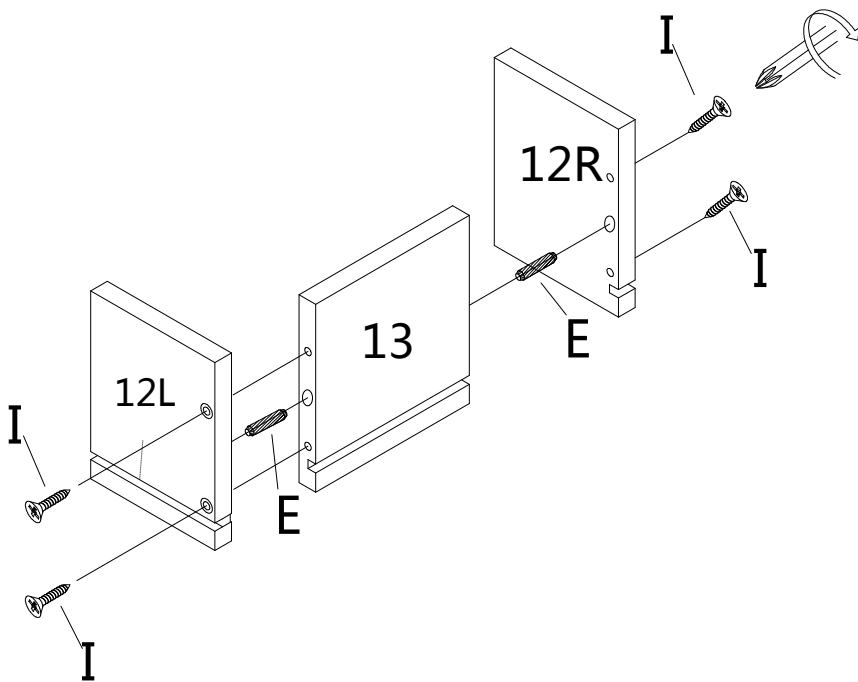
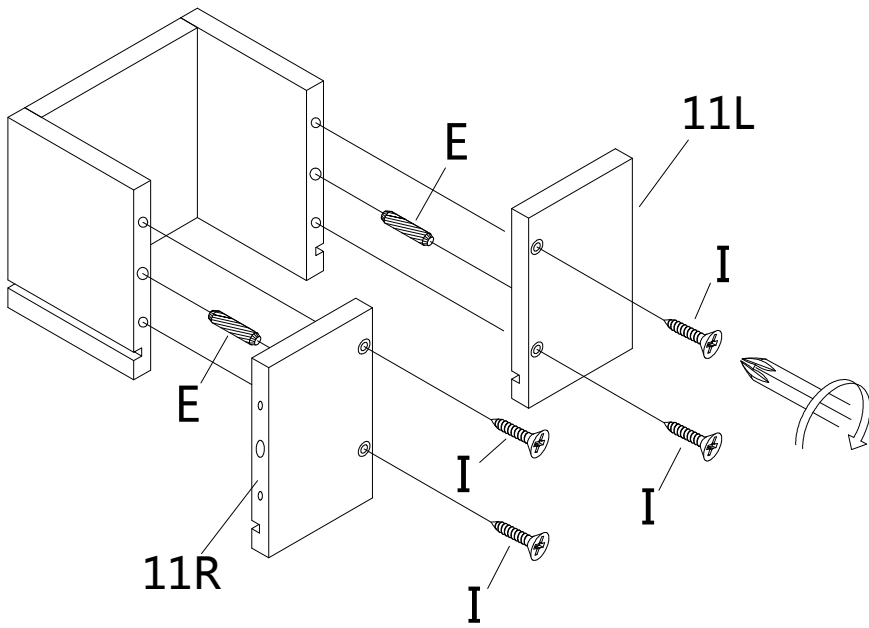


Figure 8

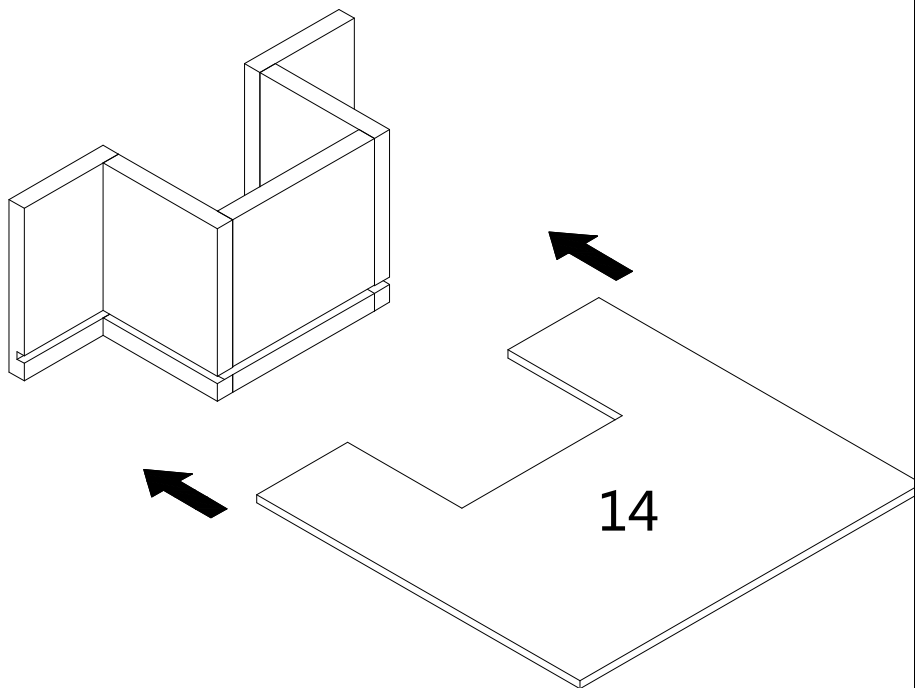
Attach Drawer Vertical Panels (12L/12R) to Drawer Back Panel (13) with Screws (I) and Wood Dowels (E).

Tighten Screws (I) with Phillips screwdriver (not included).



Attach Drawer Back Panels
(11L/11R) to pre-assembled unit
from Figure 8 with Screws **(I)** and
Wood Dowels **(E)**.

Figure 9



Insert Drawer Bottom Panel **(14)**
into grooves of pre-assembled unit
from Figure 9.

Figure 10

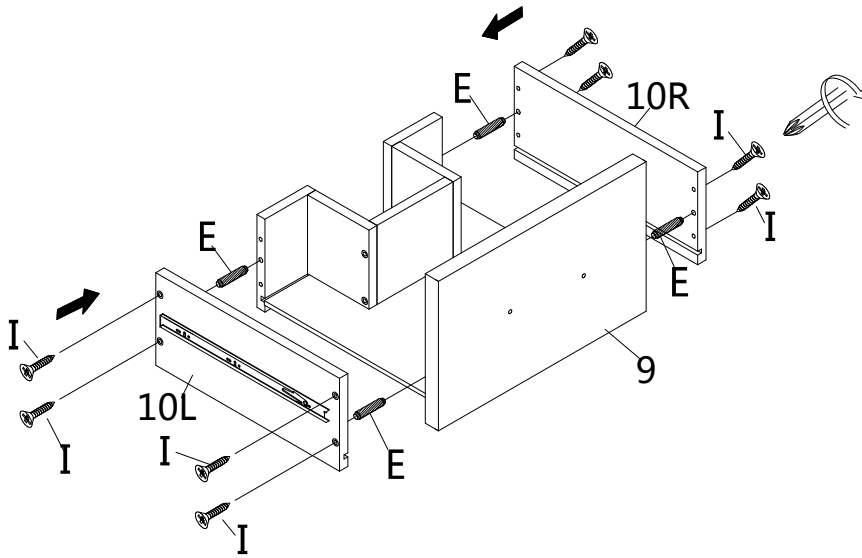


Figure 11

Attach Drawer Side Panels (10L/10R) and Drawer Front Panel (9) to pre-assembled unit from Figure 11 with Screws (I) and Wood Dowels (E).

Tighten Screws (I) with Phillips screwdriver (not included).

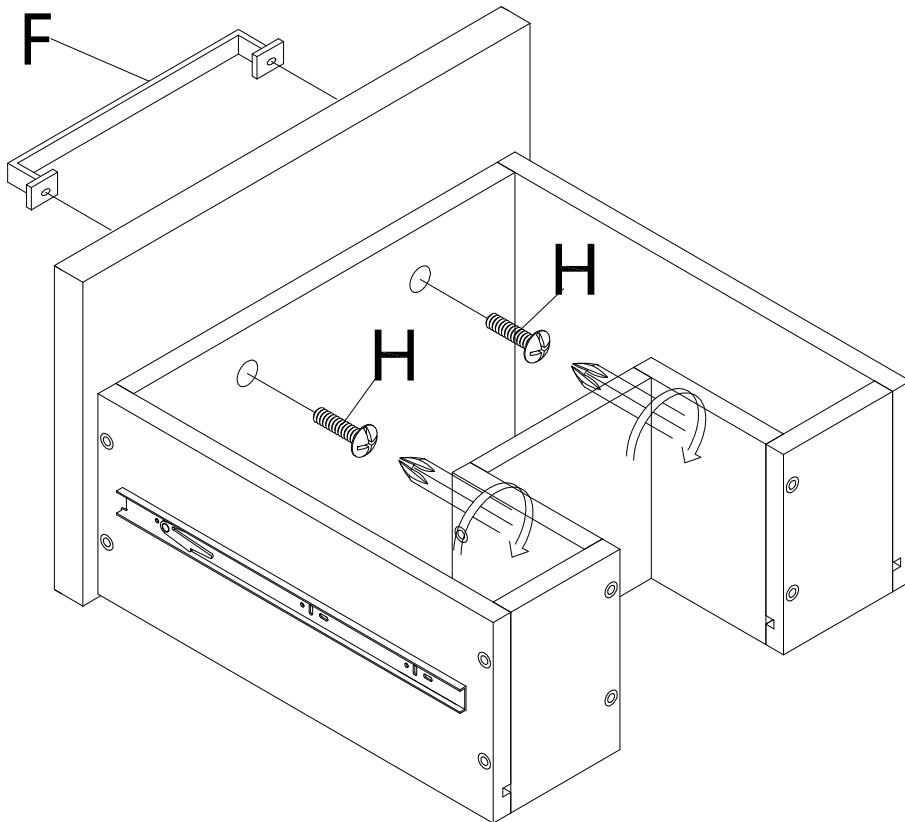
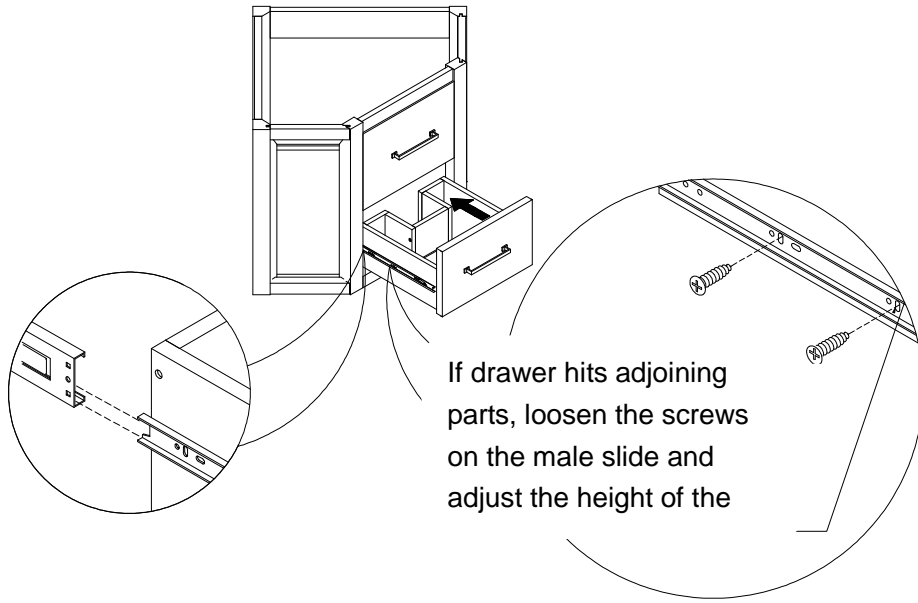


Figure 12

Attach Handle (F) to pre-assembled unit from Figure 11 with Small Bolts (H).

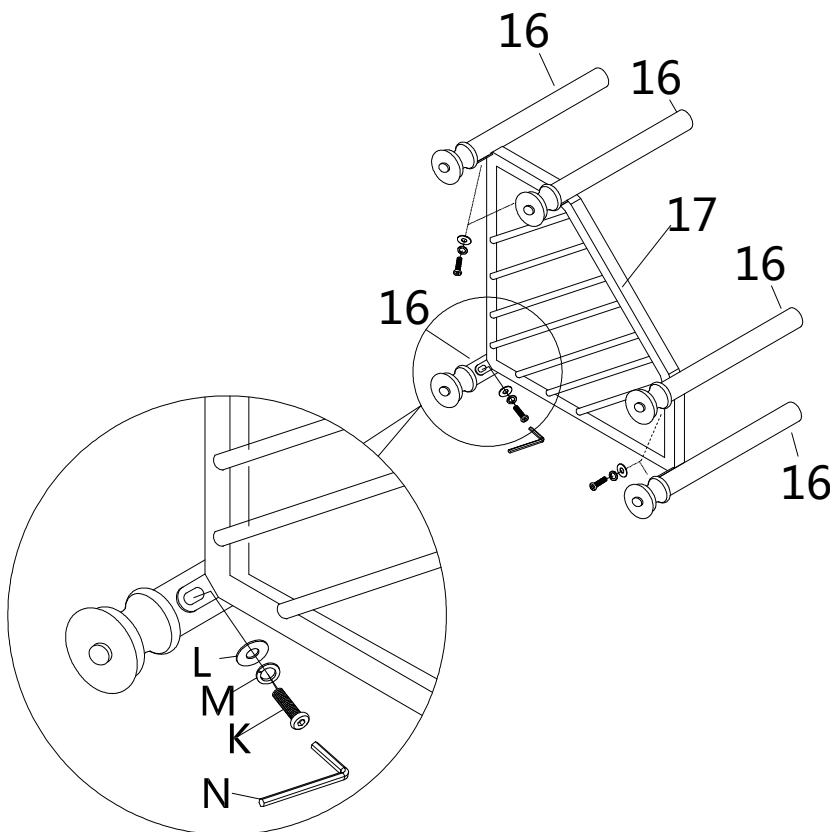


If drawer hits adjoining parts, loosen the screws on the male slide and adjust the height of the

Insert drawer box into pre-assembled unit from Figure 7.

Ensure drawer glides in and out smoothly.

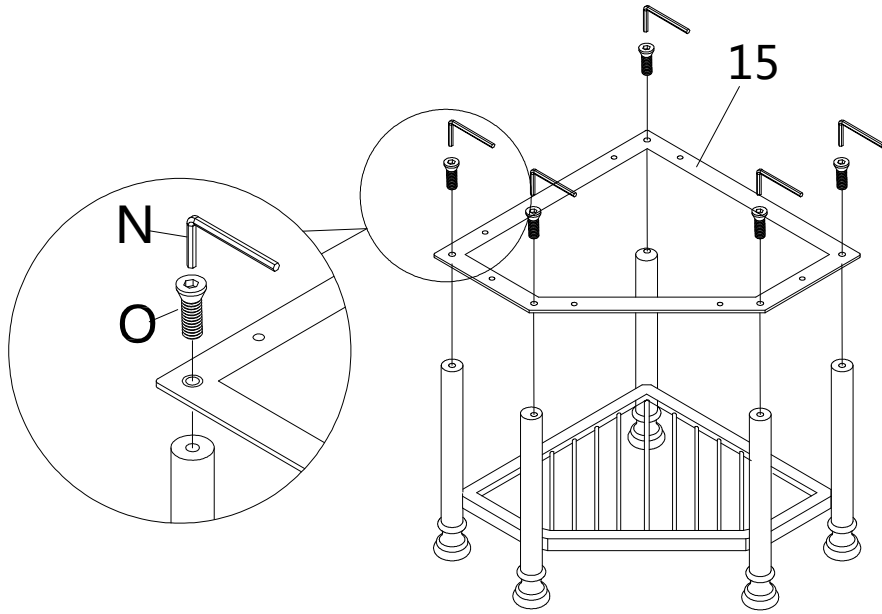
Figure 13



Attach Legs (16) to Metal Shelf (17) with Bolts (K) and Washers (L/M).

Tighten Bolts (K) with Allen Wrench (N).

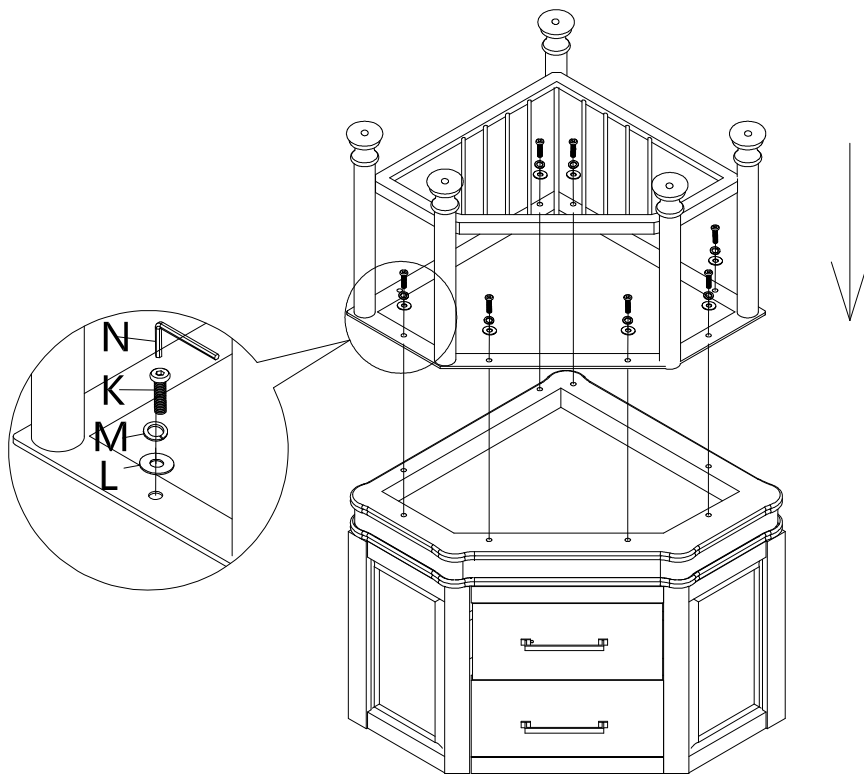
Figure 14



Attach Top Metal Frame **(15)** to pre-assembled unit from Figure 14 with Bolts **(O)**.

Tighten Bolts **(O)** with Allen Wrench **(N)**.

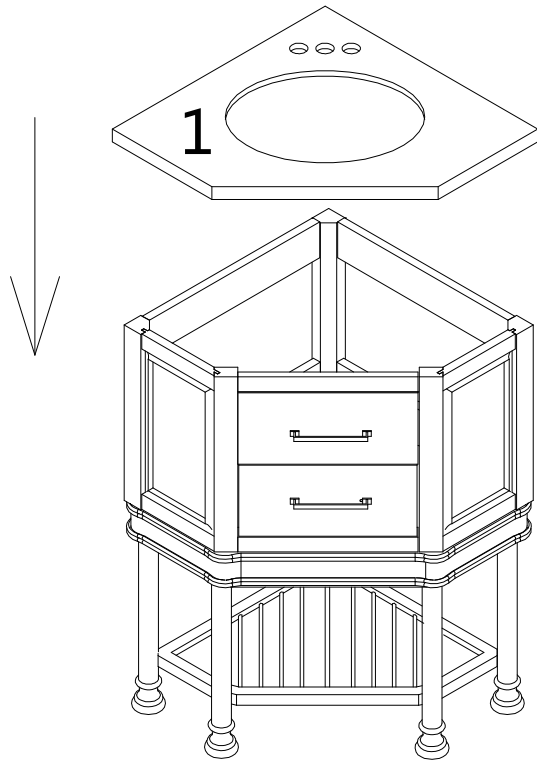
Figure 15



Attach pre-assembled unit from Figure 15 to pre-assembled unit from Figure 13 with Bolts **(K)** and Washers **(L/M)**.

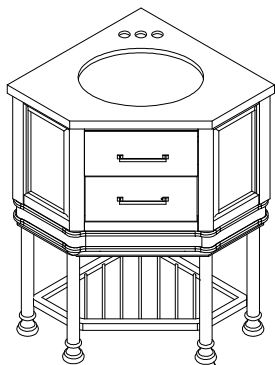
Tighten Bolts **(K)** with Allen Wrench **(N)**.

Figure 16



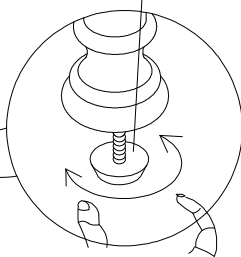
Insert Marble Top **(1)** into pre-assembled unit from Figure 16.

Figure 17



If the vanity sink is not level, adjust the foot pad by hand.

Adjustable foot pad



Now your Bainbridge Corner Vanity Sink is ready for use!

Note: Install not included piping items: faucet, drain, and supply lines to vanity sink according to the instructions supplied with those items.

Installation of faucet, drain, and supply lines by a certified plumber is recommended.

Figure 18

Parts Replacement Form

Customer Information

Name _____

Address _____

City/State/Zip Code _____

Phone Number _____

Please indicate where you purchased this item: Store/Website/Catalog

Please indicate color/size/style number:

Style No	Parts Letter	Parts Description	Quantity Needed
_____	_____	_____	_____
_____	_____	_____	_____
_____	_____	_____	_____

Please immediately examine this product carefully. Any request for missing parts or damage replacement must be received within 90 days of your receipt of the product. Replacement, if available, will be honored within this time frame. Parts will not be available for items arriving fully assembled. We do not recommend modifying product(s) and we are not responsible for any damages due to product modification(s). If damages or missing parts are not reported within 90 days of your receipt, we are under no obligation to provide parts or replacement merchandise.

For product issues, please contact Southern Enterprises at 800-633-5096 (toll-free) / 972-869-0111 (Dallas), Mon-Fri 9am – 4pm CST, or email us at service@seidal.com. Please ask for customer service representative for issues involving damages or replacement parts. Please ask for technical assistance representative for any issues with product and assembly/construction.

Please contact the retailer that you purchased from for returns.



Southern
ENTERPRISES

Customer Service: 1-800-633-5096
service@seidal.com

Southern Enterprises, Inc.
600 Freeport Parkway, Suite 200
Coppell, Texas 75019