



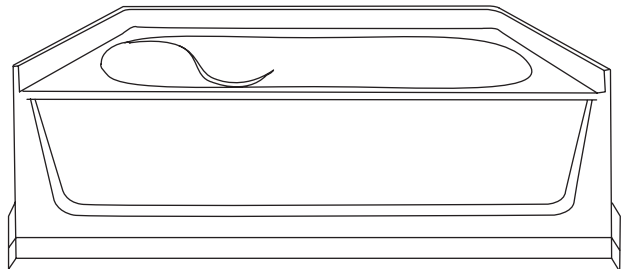
A KOHLER COMPANY

ENSEMBLE™

Features

- Compression molded from Sterling's exclusive solid Vikrell® material
- Gentle sloping back, neck, and armrest in bath design
- Above floor drain rough-in
- Factory installed apron extension made of Vikrell® and injection molded undersupport structure
- Lightly pebbled bottom surface for sure footing
- Durable high gloss finish
- 10 year consumer/3 year commercial limited warranty
- Integral apron with removable access panel
- 18-1/4" (46.4 cm) bath depth (floor to top of dam)
- 3" (7.6 cm) wainscot/tile ledge
- 60" (152.4 cm) x 37-1/2" (95.3 cm) x 22-1/4" (56.5 cm) rough-in dimensions include flanges
- 60" (152.4 cm) x 36" (91.4 cm) x 21-1/4" (54 cm) finished dimensions

36" (91.4 cm) AFD OVAL BATH WITH ACCESS PANEL
71101119
ALSO 71101129



Codes/Standards Applicable

Specified model meets or exceeds the following:

- ASTM E162
- ASTM E662
- ANSI Z124.1.2
- IAPMO/cUPC
- CSA B45.0
- CSA B45.5

Colors/Finishes

- 0: White
- Other: Refer to Price Book for additional colors/finishes

Specified Model

Model	Complete Unit Description	Colors/Finishes	
71101119	36" (91.4 cm) AFD oval bath with access panel, left drain (shown)	<input type="checkbox"/> 0	<input type="checkbox"/> Other _____
71101129	36" (91.4 cm) AFD oval bath with access panel, right drain	<input type="checkbox"/> 0	<input type="checkbox"/> Other _____

SterlingPlumbing.com

Visit us online for fixture color choices, detailed product information, color photos, installation instructions, care guides, and warranties. Sterling offers additional lines of plumbing products to complement the Sterling product you've chosen. Sign up for the Sterling e-newsletter to learn more about our latest product innovations. You may also reach us by calling the Sterling Answer Center from within the USA at 1-888-STERLING in addition to consulting with your local dealer.

ENSEMBLE™

Technical Information

Fixture*:	
Bathing well	40" (101.6 cm) x 21" (53.3 cm)
Top area	52" (132.1 cm) x 29" (73.7 cm)
To overflow:	
Water depth	11" (27.9 cm)
Capacity	40 gal (151.4 L)
* Approximate measurements for comparison only.	

Model	door maximum width	door maximum height
71101119	58-1/2" (148.6 cm)	NA*
71101129		
* Varies with alternative walls.		

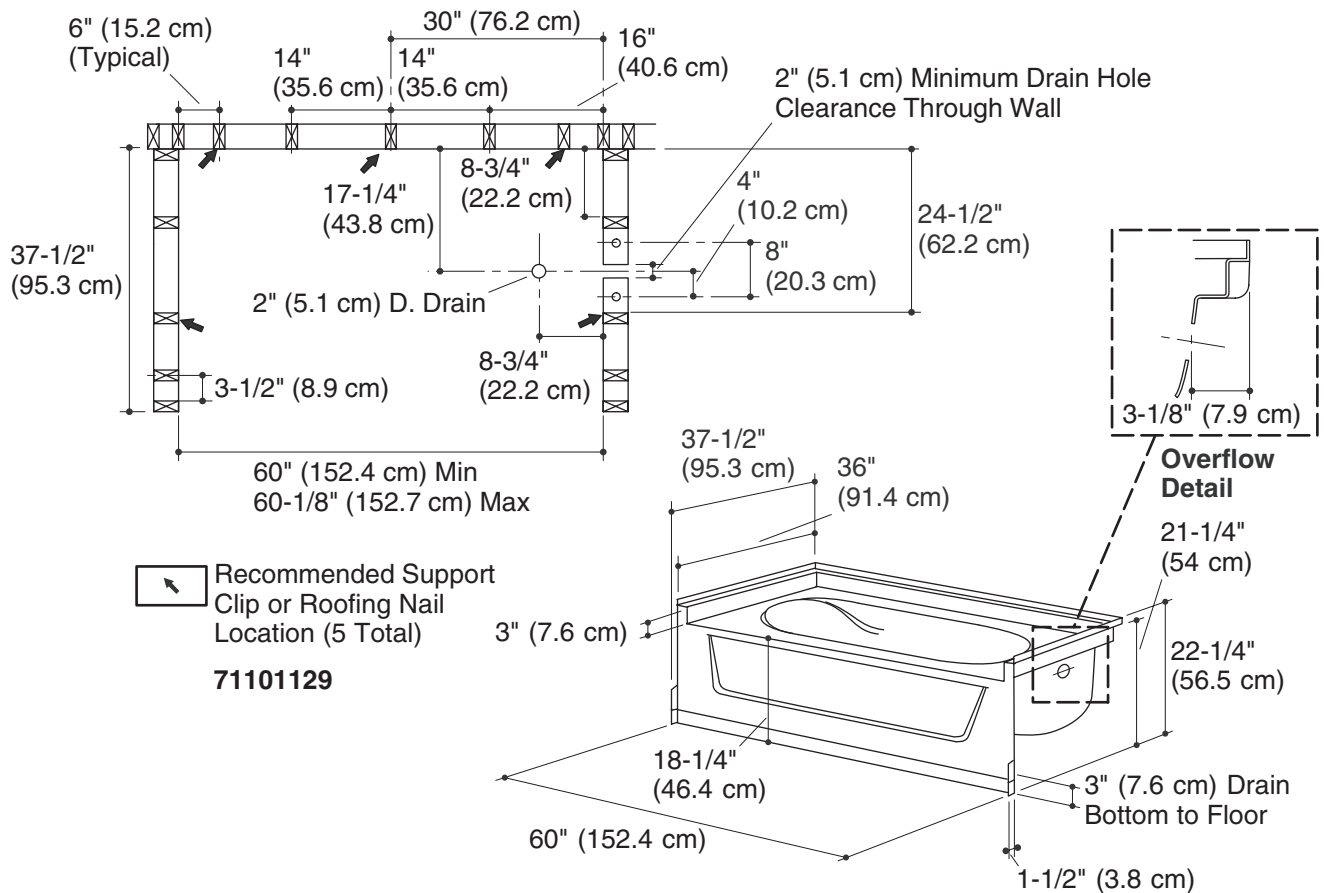
Installation Notes

Install this product according to the installation guide.

Size the drain cutout to fit the drain assembly that will be used.

Stud positioning is critical.

Studs should be positioned roughly as shown for support clip or roofing nail installation.



Product Diagram