



**Extension Pole  
Model No. AP31050D  
Replacement Parts List**

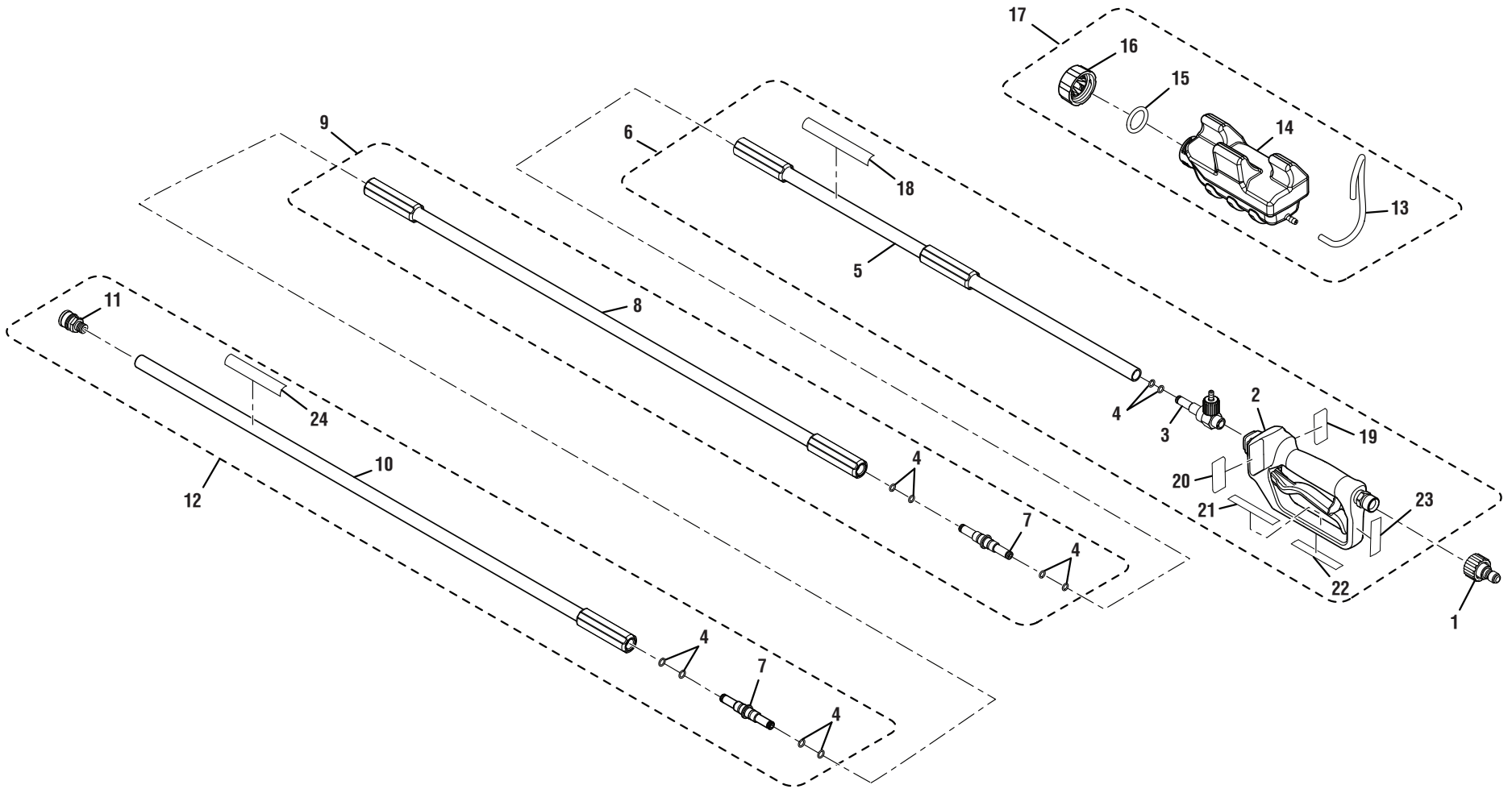
**TECHTRONIC INDUSTRIES NORTH AMERICA, INC.**

P.O. Box 35, Hwy 8  
Pickens, SC 29671  
1-866-340-3912

991000981  
6-13-16 (Rev:02)

# POWERCARE EXTENSION POLE – MODEL NO. AP31050D

The model number will be found on a label attached to the housing. Always mention the model number in all correspondence regarding your **EXTENSION POLE** or when ordering replacement parts.



**POWERCARE EXTENSION POLE – MODEL NO. AP31050D**

The model number will be found on a label attached to the housing. Always mention the model number in all correspondence regarding your **EXTENSION POLE** or when ordering replacement parts.

**PARTS LIST**

<b>KEY NO.</b>	<b>PART NUMBER</b>	<b>DESCRIPTION</b>	<b>QTY</b>	<b>KEY NO.</b>	<b>PART NUMBER</b>	<b>DESCRIPTION</b>	<b>QTY</b>
1	308078004	Inlet Coupler .....	1	14	518792004	Detergent Container .....	1
2	308083005	Spray Wand Handle.....	1	15	570612002	Soap Cap O-Ring .....	1
3	308951006	Detergent Metering Valve .....	1	16	518793002	Soap Cap.....	1
4	570611003	O-Ring .....	12	17	310658004	Detergent Container Assembly (Inc. Key Nos. 13-16).....	1
5	678777004	Extension Wand w/ Rubber Grip.....	1	18	940654104	Icon Strip .....	1
6	308494038	Handle Assembly (Incl. Key Nos. 2-5 and 18-23).....	1	19	940705123	Logo Label.....	1
7	678236006	Adaptor.....	2	20	940324025	Warning Label (English) .....	1
8	678777002	Extension Wand (Middle).....	1	21	940324018	Warning Label (French).....	1
9	308494034	Extension Wand (Middle) Assembly (Incl. Key Nos. 4 and 7-8).....	1	22	940489007	Rating Label .....	1
10	678777003	Extension Wand (Upper).....	1	23	940324026	Warning Label (Spanish).....	1
11	308637004	Quick Connect Coupler .....	1	24	940734073	“Spray Wand Not Included” Label .....	1
12	308494035	Extension Wand (Upper) Assembly (Incl. Key Nos. 4, 7, 10-11 and 24).....	1				
13	561399005	Detergent Hose.....	1				
					<b>Not Shown:</b>		
					988000869	Operator’s Manual	