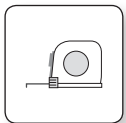


IMPORTANT INFORMATION ABOUT YOUR ENVIVO BARN DOOR

- Wood is a natural product and can warp, swell, or shrink if exposed to moisture or changes in temperature. To reduce the risk of damage due to warp, swelling, or shrinking, avoid installing in areas that are exposed to moisture or where the relative humidity is not controlled.
- For indoor installation only.
- Do not trim or cut the doors.
- Caution: barn door product is heavy and should be lifted by two people to avoid injury or damage when installing the door.
- To clean the surface of this barn door, use a mild dish soap and warm water applied with a soft cloth. Always test cleaning products in a small, inconspicuous area, first. Do not utilize any abrasive or corrosive cleaning products.
- Clean spills immediately with a soft cloth.
- This barn door kit includes either a 37" x 84" door or a 43" x 84" door and the necessary hardware to install the product.
- The recommended opening size for the 37" wide door is 28" to 36" in width and up to 83" without trim.
- The recommended opening size for the 43" wide door is 34" to 42" in width and up to 83" without trim.

TOOLS REQUIRED:



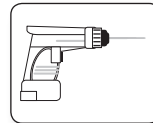
Measuring
Tape



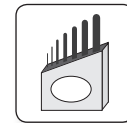
Pencil



Stud Finder
(for drywall installation only)



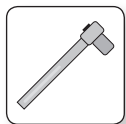
Drill



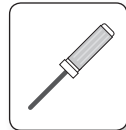
Set of
Drill Bits



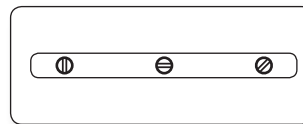
13 mm & 16 mm
Wrench



13 mm Socket
Wrench

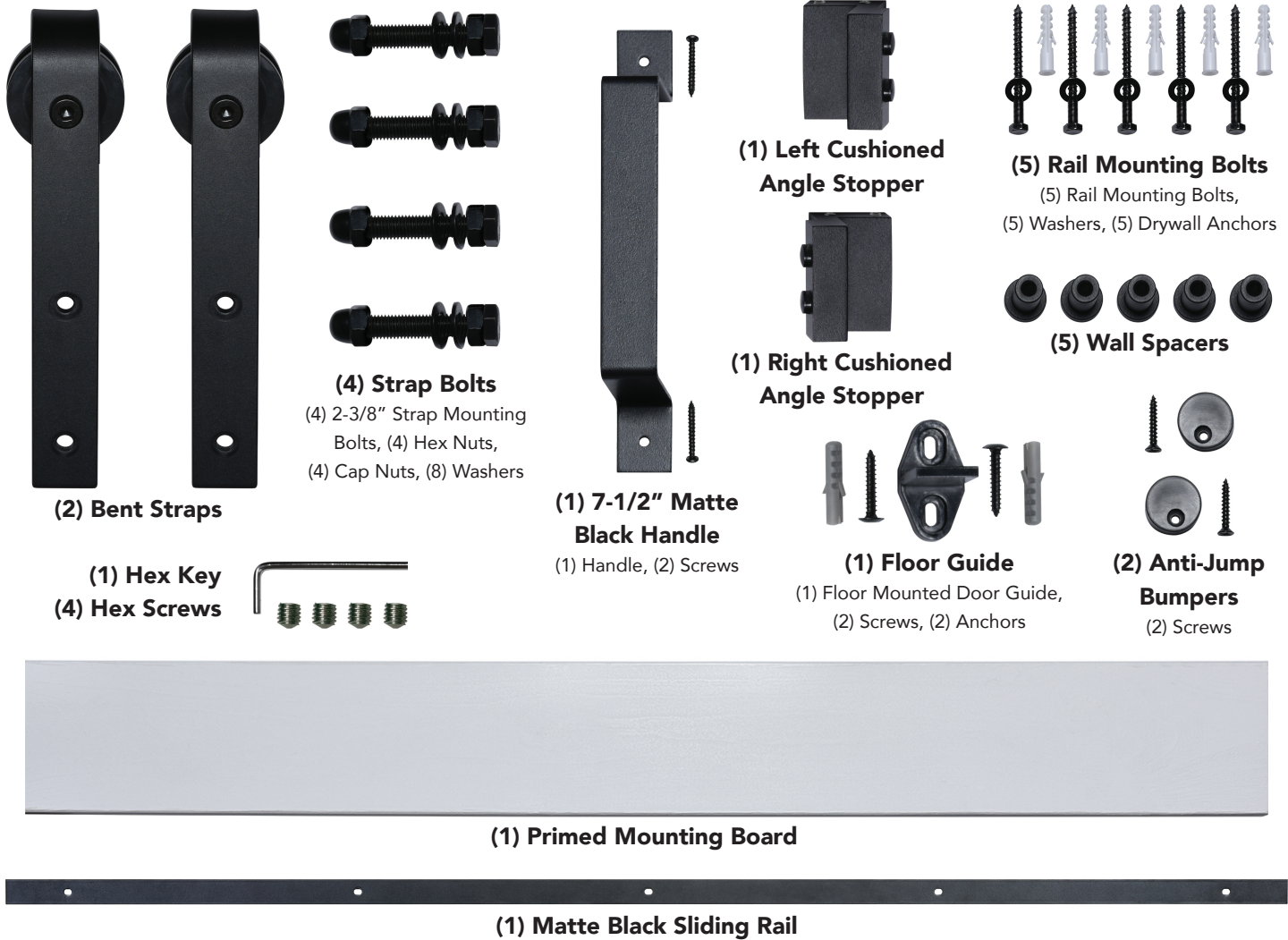


#2 Phillips
Screw Driver



Level

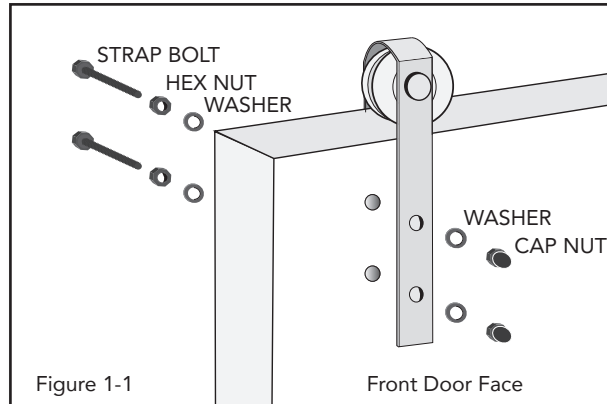
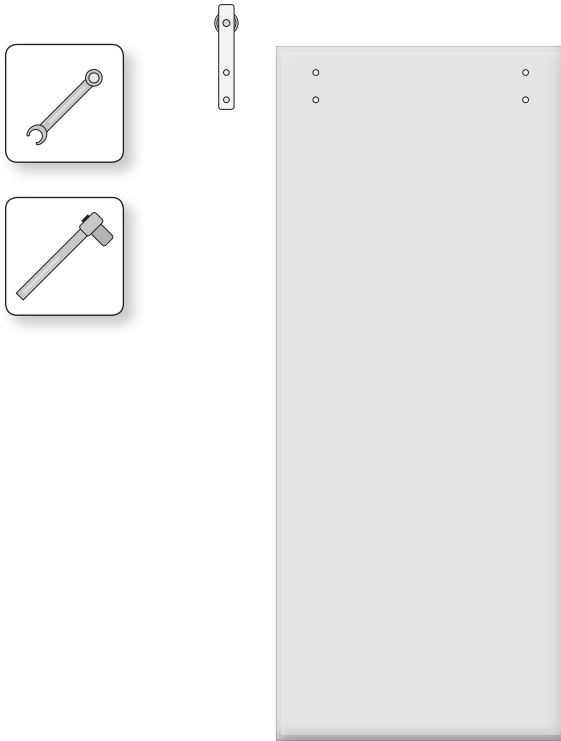
INSTALLATION OVERVIEW - WHAT'S INCLUDED



- Strap Hardware – (2) Bent Straps
- Strap Bolts – (4) 2-3/8" Strap Mounting Bolts, (4) Hex Nuts, (4) Cap Nuts, (8) Washers
- 7-1/2" Matte Black Handle – (1) Handle, (2) Screws
- Primed Mounting Board – (1) Primed Wood Board for drywall installation only (size dependent on door width, see details below)
 - The 37" Door Primed Mounting Board Dimensions = 78-3/4" x 3-1/2" x 1/2"
 - The 43" Door Primed Mounting Board Dimensions = 90-3/4" x 3-1/2" x 1/2"

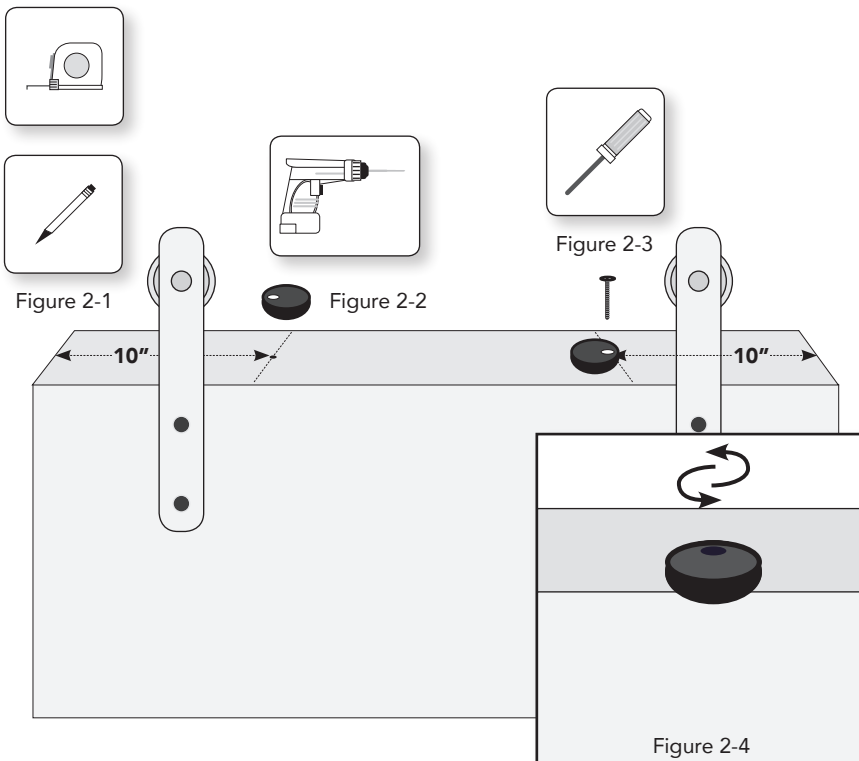
(Wood screws not provided. 10# 2-1/2" Phillips head wood screws are recommended.)
- Rail – (1) Matte Black Sliding Rail (size dependent on door width, see details below)
 - The 37" Door Sliding Rail Dimensions = 78-3/4" x 1-9/16" x 1/4" and has 5 mounting holes
 - The 43" Door Sliding Rail Dimensions = 90-3/4" x 1-9/16" x 1/4". It is two pieces with a splice and has 5 mounting holes.
- Rail Mounting Bolts – (5) Rail Mounting Bolts, (5) Washers, (5) Drywall Anchors
(Masonry anchors for concrete installation not provided)
- Common Hardware – (5) Wall Spacers, (1) Left Cushioned Angle Stopper, (1) Right Cushioned Angle Stopper, (4) Hex Screws, (1) Hex Key, (2) Anti-Jump Bumpers with (2) Screws
- Floor Guide – (1) Floor Mounted Door Guide, (2) Screws, (2) Anchors

PASO 1 – INSTALACION DE LA PUERTA DE BARRA CINTA DOBLADA



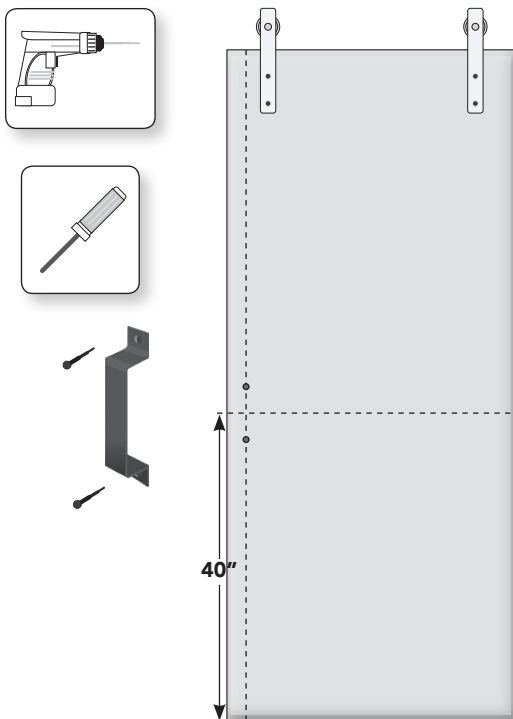
The barn door comes ready to install, with pre-drilled holes for mounting the bent strap. To install the bent strap, place the bent strap on the front of the door and install the bolts, washers, and nuts in the order demonstrated in (Figure 1-1). Tighten and secure the 2-3/8" strap bolts and washers using a socket wrench. It's important to use a wrench to hold the nuts in place as you tighten the strap bolts with the socket wrench. Also, be sure to install the hex nuts first and the cap nuts last.

STEP 2 - ANTI-JUMP BUMPER INSTALLATION



Measure 10" on the top of the door panel from both ends and mark lightly with a pencil (Figure 2-1). Place the anti-jump bumpers on top of the door so they are centered on the pencil mark. Rotate the bumpers so that the offset screw hole is facing the side of the door that has the bent strap hardware attached to it (Figure 2-2). Drill 1/8" pilot hole through the anti-jump bumper's screw hole approximately 1/2" deep and use a screw driver to install the screw making sure to not fully tighten (Figure 2-3). Rotate the bumpers, pivoting on the screw, so that the bumpers overhang the door face (Figure 2-4). Once the door is placed on the rail, the bumpers can be rotated back into position so that it is centered on the door and centered directly under the rail. Then fully tighten the screws.

STEP 3 - HANDLE INSTALLATION



Based on how your barn door will operate, determine the side of the door on which you want to install the handle. Measure 40" from the bottom of the door and mark lightly with a pencil. Measure over 2" from the edge of the door and mark lightly with a pencil. Center the hardware on the axis of the marks and with a pencil, mark the hardware screw holes lightly and pre-drill 1/8" hole 1/2" deep before installing the screws with a screwdriver.

DRYWALL INSTALLATION NOTES:

FOR DRYWALL INSTALLATION, FOLLOW INSTRUCTIONS STEPS LABELED "A" – DRYWALL INSTALLATION. FOR CONCRETE INSTALLATION, FOLLOW INSTRUCTIONS STEPS LABELED "B" – CONCRETE INSTALLATION.

- This barn door kit includes either a 37" x 84" door or a 43" x 84" door and the necessary hardware to install the product.
- The recommended opening size for the 37" wide door is 28" to 32" in width and up to 83" without trim.
- The recommended opening size for the 43" wide door is 34" to 38" in width and up to 83" without trim.
- When installing the barn door system into a drywall wall, the primed mounting board and rail must be secured using wood screws (not provided) into the studs of the wall to support the weight of the installed door. Use a stud finder to accurately locate the studs.
- For optimal results, the sliding rail should be centered 1-1/2" from the nearest jamb when the door is in the open position.

CONCRETE INSTALLATION NOTES:

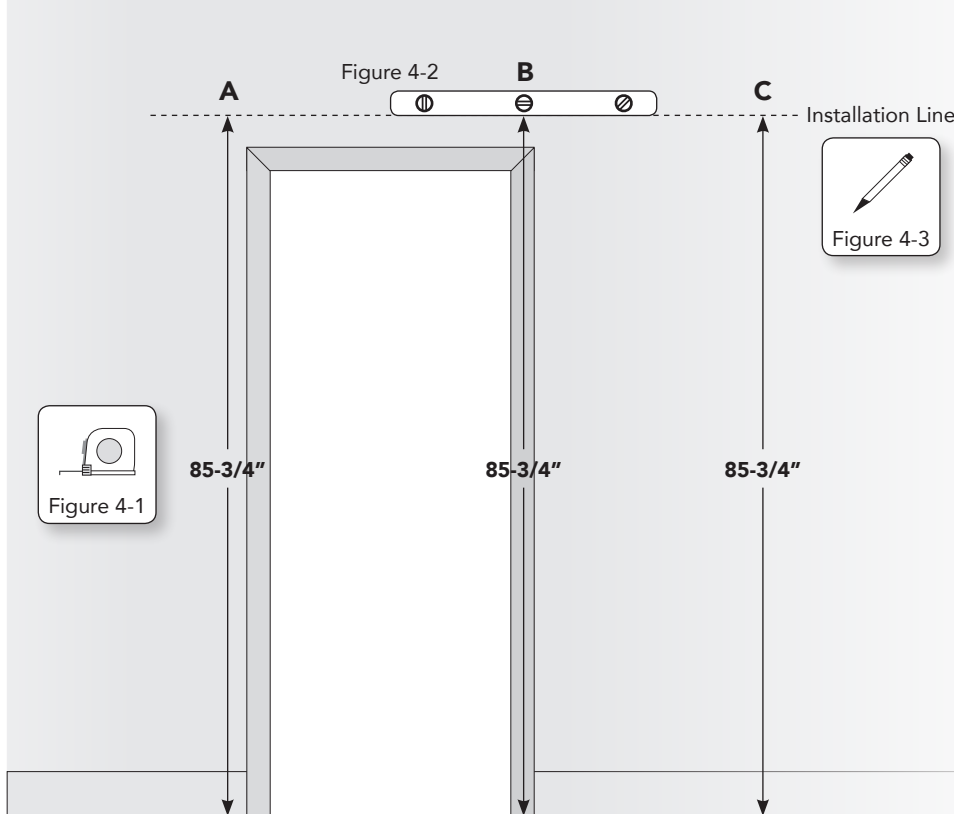
FOR CONCRETE INSTALLATION, FOLLOW INSTRUCTIONS STEPS LABELED "B" – CONCRETE INSTALLATION. FOR DRYWALL INSTALLATION, FOLLOW INSTRUCTIONS STEPS LABELED "A" – DRYWALL INSTALLATION.

- This barn door kit includes either a 37" x 84" door or a 43" x 84" door and the necessary hardware to install the product.
- The recommended opening size for the 37" wide door is 28" to 32" in width and up to 83" without trim.
- The recommended opening size for the 43" wide door is 34" to 38" in width and up to 83" without trim.
- When installing the barn door system into a concrete wall, do not use the primed mounting board include in this kit.
- To secure the sliding rail to the concrete wall, use masonry wall anchors (not provided) in conjunction with the rail mounting bolts.

Note: masonry wall anchors are not provided with this kit. 5/16" x 1-3/4" zinc alloy masonry wall anchors are recommended.

- For optimal results, the sliding rail should be centered 1-1/2" from the nearest jamb when the door is in the open position.

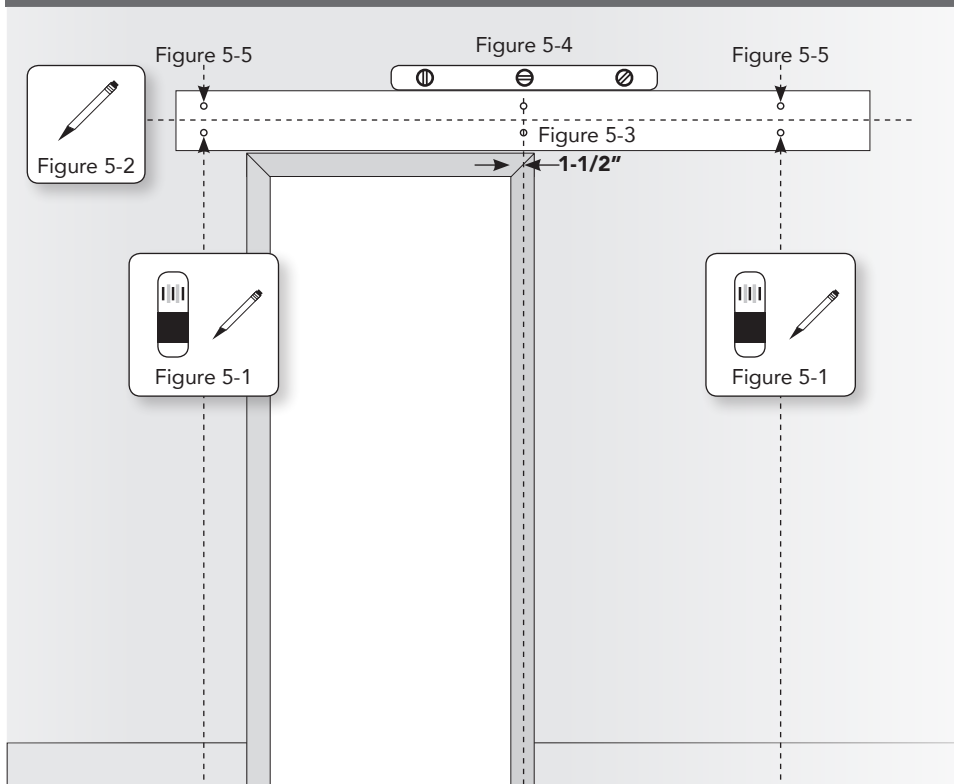
STEP 4A/4B – DRYWALL & CONCRETE INSTALLATION



To achieve the correct amount of clearance for the barn door, measure 85-3/4" from the floor with a measuring tape in three different locations equal distance apart spanning the length of your rail as shown in image (a, b, c) and mark with a pencil (Figure 4-1). Then, using a level, determine which measurement is the highest (Figure 4-2). With a pencil, mark a horizontal installation line that extends beyond the opening on both sides (Figure 4-3).

The installation line represents the center of the sliding rail.

STEP 5A - DRYWALL INSTALLATION



Locate the studs near the opening by using a stud finder. With a pencil, mark where the studs intersect the horizontal installation line on either side of the opening (Figure 5-1). Next, find the center of the primed mounting board and mark it lightly with pencil (Figure 5-2). Position the mounting board so that the center is 1-1/2" from the interior edge of the jamb (Figure 5-3). Ensure the primed mounting board is level along the installation line at center (Figure 5-4). Pre-drill a pilot hole (size of drill bit dependent on size of wood screw) into the mounting board then secure the mounting board to the wall by screwing wood screws into the studs with a screw driver or cordless screw driver (Figure 5-5).

Note: Wood screws are sold separately. For additional support, drywall anchors can also be utilized in conjunction with the wood screws but are also sold separately.

STEP 5B – CONCRETE INSTALLATION



Do not use the primed mounting board included in this kit when installing into a concrete wall. Skip to Step 6B.

STEP 6A - DRYWALL INSTALLATION

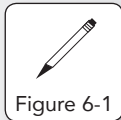


Figure 6-1

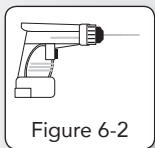
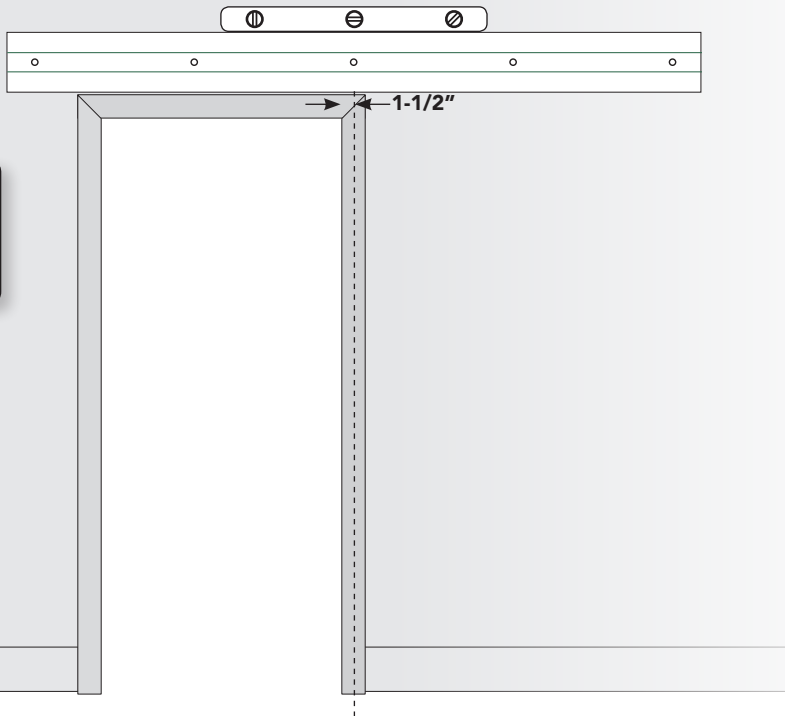


Figure 6-2



Position the sliding rail in the center of the primed mounting board making certain it is level and mark the holes in the sliding rail using a pencil (Figure 6-1). Pre-drill 3/8" holes through the mounting board and into the drywall (Figure 6-2).

STEP 6B - CONCRETE INSTALLATION



Installation Line

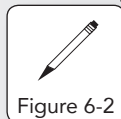


Figure 6-2

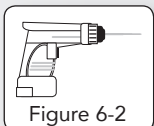
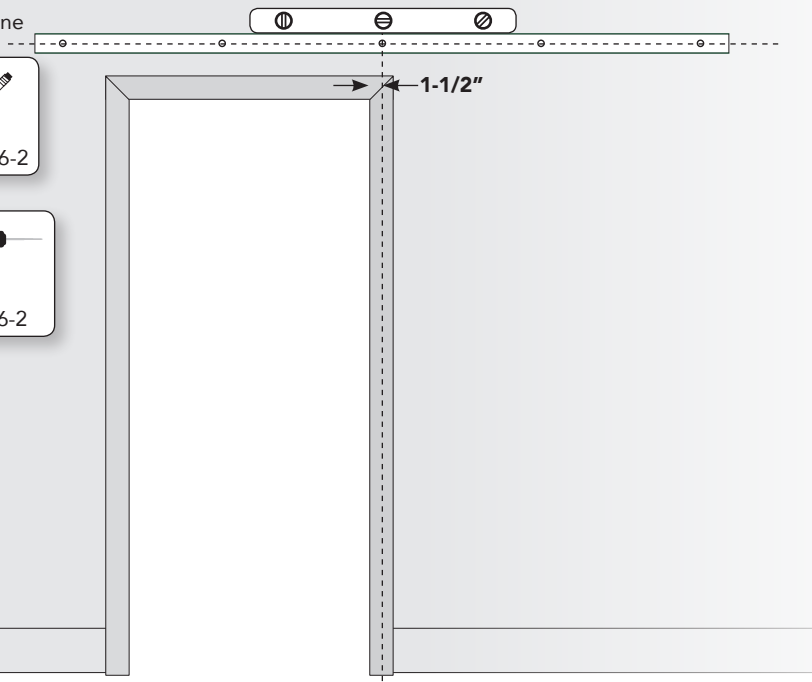


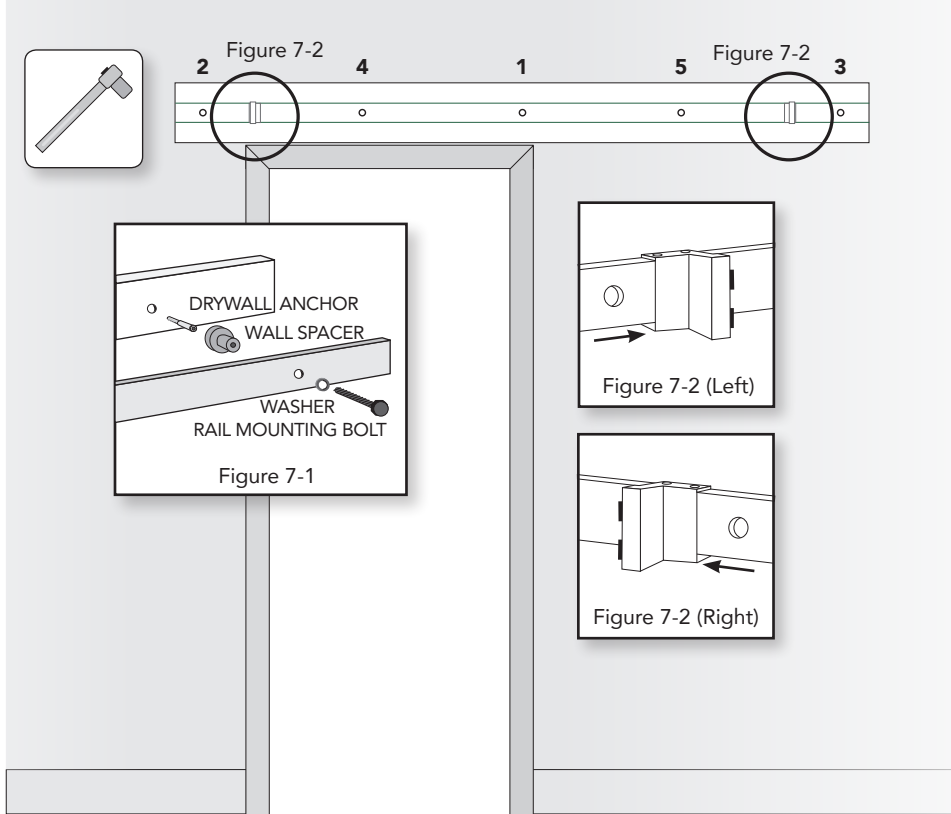
Figure 6-2



Locate the center of the sliding rail and position it so that it is 1-1/2" from the jamb (Figure 6-1). Position the rail in place ensuring that it is level, mark the holes on the rail using a pencil (Figure 6-2) and pre-drill holes in masonry with suitable bit for 5/16" concrete anchors (not provided).

Note: When purchasing masonry wall anchors, 5/16" x 1-3/4" zinc alloy anchors are recommended.

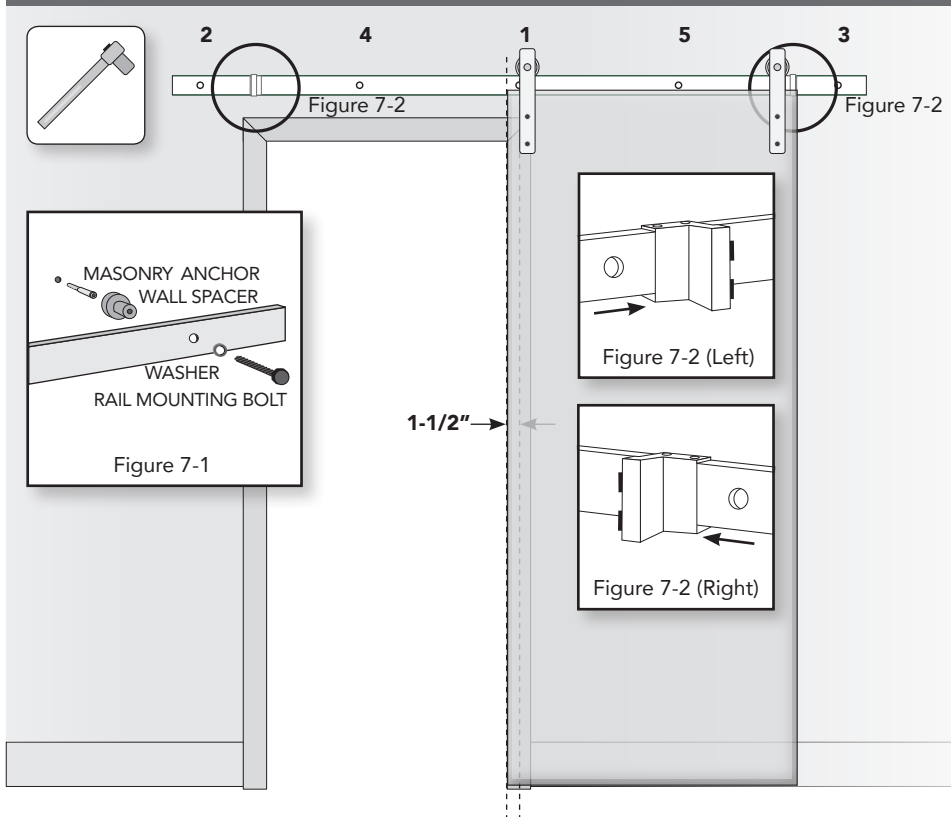
STEP 7A - DRYWALL INSTALLATION



When installing the sliding rail, first insert the drywall anchors, wall spacers, the sliding rail, and secure on the primed mounting board using the rail mounting bolts (with washers) provided, securing with a socket wrench (Figure 7-1). For ease, secure in the order shown in the diagram (starting with number 1 through 5).

Note: You may need to pre-insert the left and right cushioned angle stoppers inside the outer holes on the rail, depending on where you want your barn door to stop (Figure 7-2). The cushioned angle stoppers' hex screws will be tightened later in the installation process.

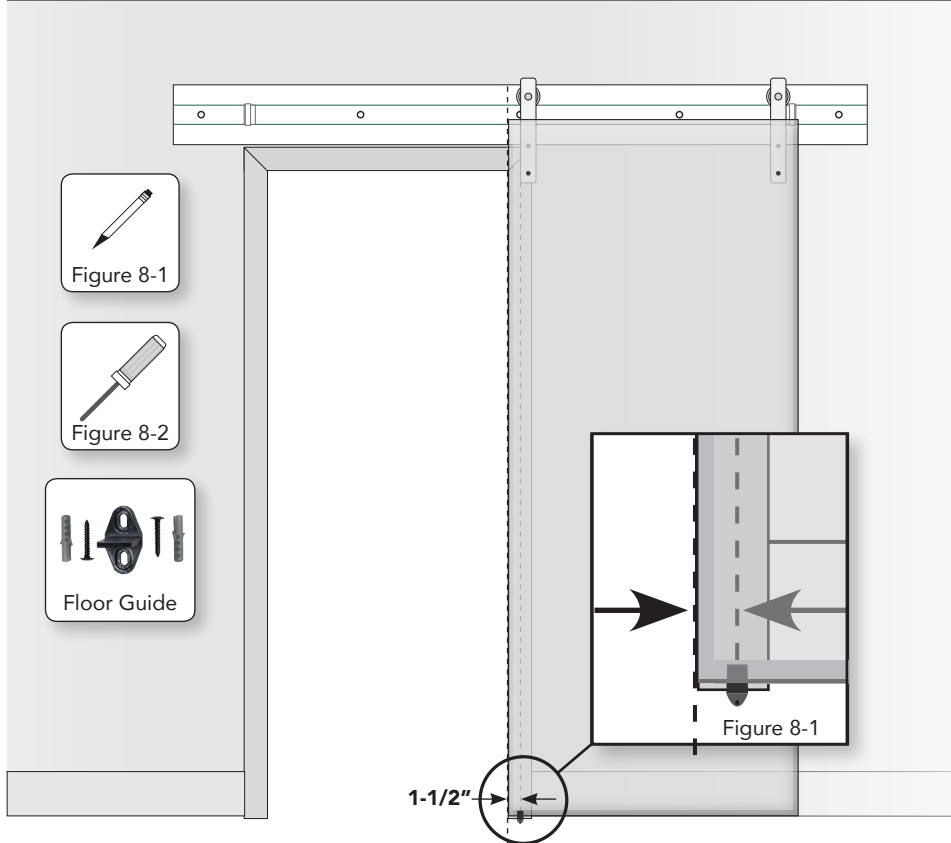
STEP 7B - CONCRETE INSTALLATION



When installing the sliding rail, first install the masonry anchors. Next, place the wall spacers on top of the anchors. Then secure the sliding rail directly to the wall with the rail mounting bolts and washers. Be sure the rail mounting bolts pass through the washer, mounting rail, wall spacers and into the masonry anchors (Figure 7-1). For ease, secure in the order shown in the diagram (starting with number 1 through 5).

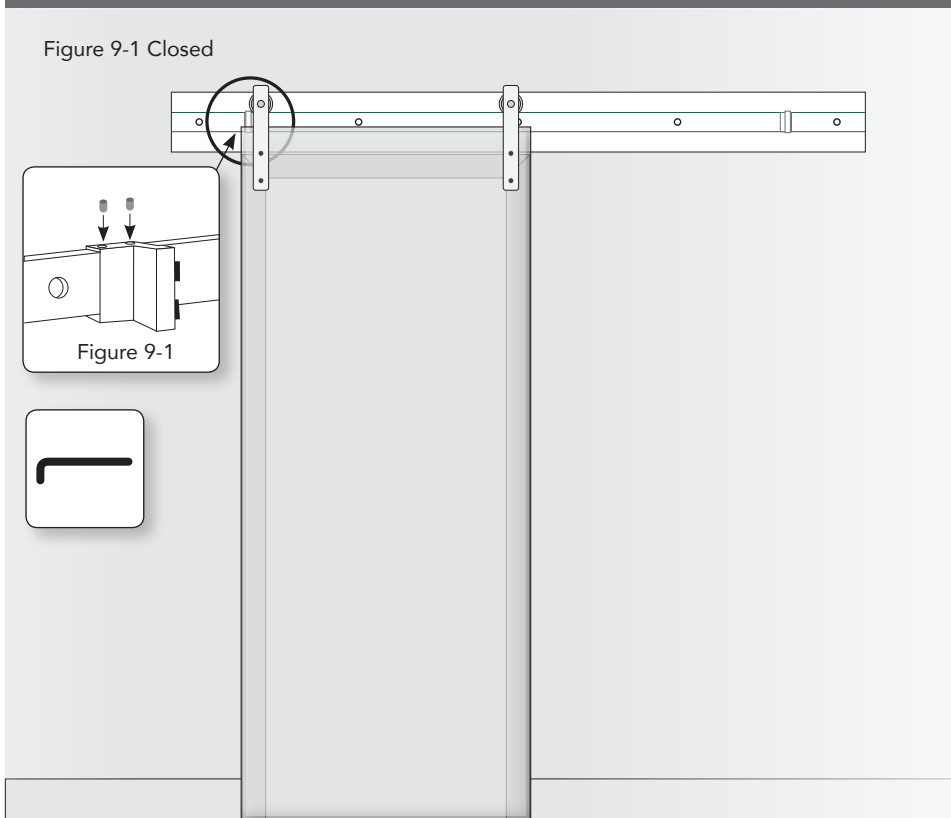
Note: You may need to pre-insert the left and right cushioned angle stoppers inside the outer holes on the rail, depending on where you want your barn door to stop (Figure 7-2). The cushioned angle stoppers' hex screws will be tightened later in the installation process.

STEP 8A/8B – DRYWALL & CONCRETE INSTALLATION



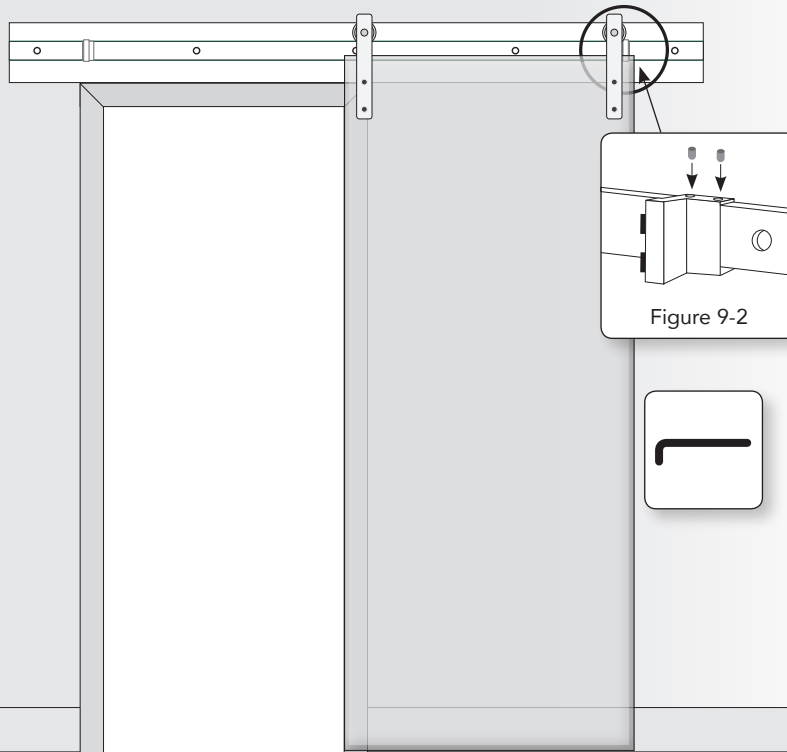
To install the floor-mounted guide, place the door on the sliding rail by centering the wheels of the bent straps on the sliding rail. Then open the door. Place the guide 1-1/2" from the edge of the door frame and insert the floor-mounted guide into the groove at the bottom of the door. Mark the holes of the guide on the floor with a pencil (Figure 8-1) and pre-drill with 1/8" drill bit prior to screwing the guide into place with a screw driver (Figure 8-2). The floor guide anchors should be used with all types of flooring except hardwood. When installing into hardwood flooring, use only the screws provided.

STEP 9A/9B – DRYWALL & CONCRETE INSTALLATION



To secure the cushioned angle door stoppers, first start with the door in the closed position. Place a cushioned angle stopper on the rail so that it meets the bent strap hardware in the closed position. Secure the stopper by tightening the internal screw with the hex key (Figure 9-1).

Figure 9-2 Open



Next, put the door in the open position. Insert two hex screws into the cushioned angle stopper. Place the other cushioned angle stopper on the rail so that it meets the bent strap hardware in the open position. Secure the cushioned angled stopper by tightening the screw with the hex key (Figure 9-2).

This completes the Barn Door Installation process.

TSCA TITLE VI COMPLIANT

PROP 65 WARNING



WARNING: This product can expose you to chemicals including respirable wood dust which is known in the State of California to cause cancer. For more information go to www.P65Warnings.ca.gov/wood

View the EnVivo Barn Door Installation Video at EnVivoBarnDoor.com

Have Questions?

Contact our Technical Service Team at 1-800-827-1615 ext.10345 or door_info@vtindustries.com

Missing or Damaged Parts?

Contact our Customer Service Team at 1-888-787-2366 ext. 18239

VTINDUSTRIES.COM



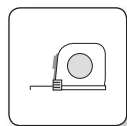
HOLSTEIN, IOWA FACILITY
1000 INDUSTRIAL PARK
P.O. BOX 490
HOLSTEIN, IA 51025

SAN ANTONIO, TEXAS FACILITY
1732 UNIVERSAL CITY BLVD.
UNIVERSAL CITY, TX 78148

INFORMACION IMPORTANTE DE SU PUERTA DE GRANERO ENVIVO

- La madera es un producto natural y puede deformarse, hincharse o encogerse si se expone a la humedad o cambios en la temperatura. Para reducir el riesgo de daños debidos a la deformacion, hinchazon o encogimiento, evite la instalacion en areas que estan expuestas a la humedad o donde la humedad relative no esta controlada.
- Solo para instalacion en interiores
- No recorte ni corte las puertas
- Precaucion: el producto de la puerta de granero es pesado y debe ser levantado por dos personas para evitar lesions o daños.
- Para limpiar la superficie de esta puerta de granero, use un jabon suave y agua tibia aplicada con un paño suave. Siempre pruebe los productos de limpieze en un area pequeña y discrete, primero. No utilice ningun abrasivo o productos de limpieza corrosivos.
- Limpie los derrames inmediatamente con un paño suave.
- Este juego de puerta de granero incluye una puerta de 37" x 84" o una puerta de 43" x 84" y los accesorios necesarios para instalar el producto.
- El tamaño de aperture recomendado para la puerta de 37" de ancho es de 28" a 36" de ancho y de hasta 83" sin molduras.
- El tamaño de aperture recomendado para la puerta de 43" de ancho es de 34" a 42" de ancho y de hasta 83" sin molduras.

HERRAMIENTAS NECESARIAS:



Cinta Metrica

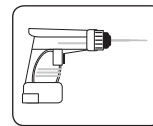


Lapiz

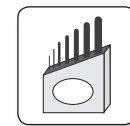


Buscador De Viga

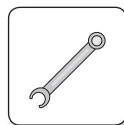
(solo para instalacion de pared de yeso)



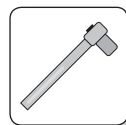
Taladro



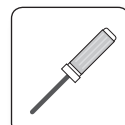
Juego De Brocas
Para Taladro



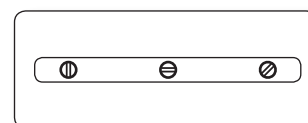
13mm & 16 mm
Llave Inglesa



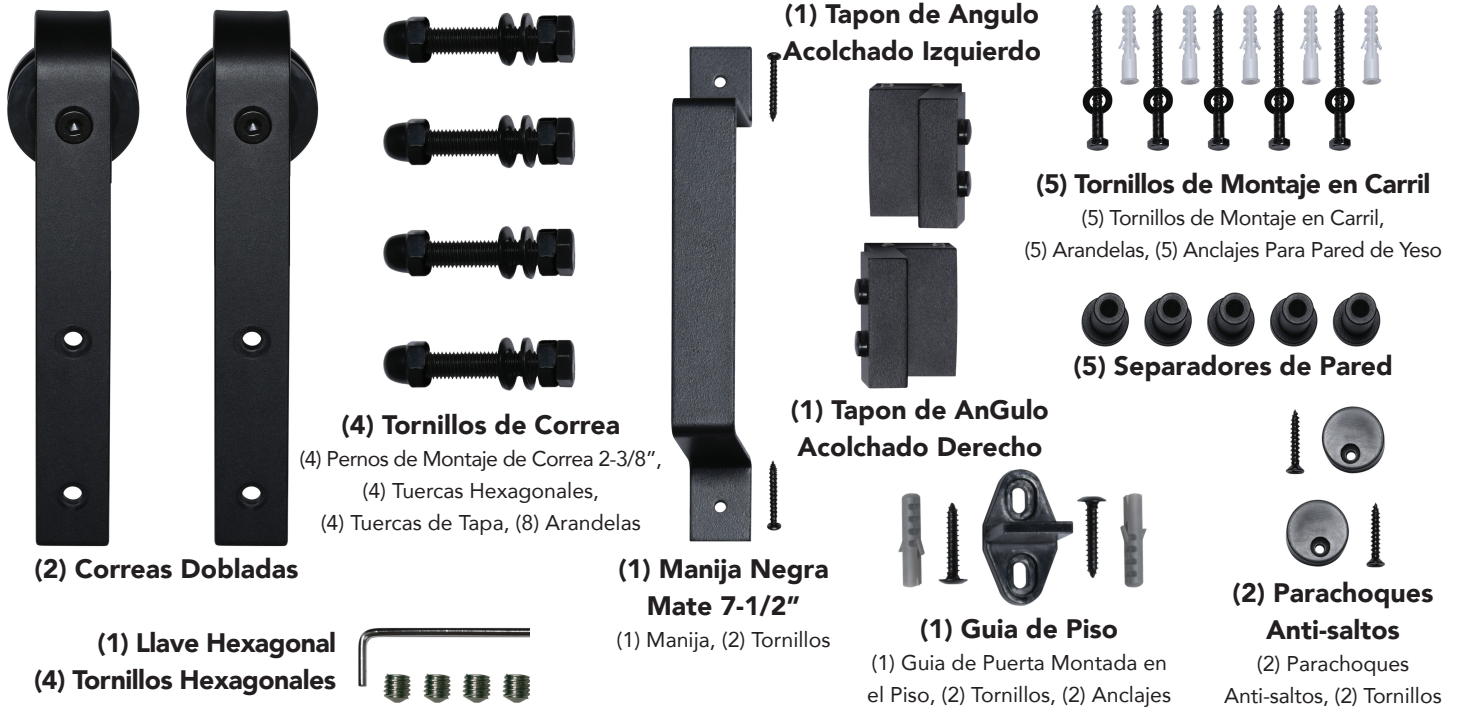
13 mm Llave
De Tubo



Destornillador
Phillips #2



Nivelador



(1) Placa de Montaje Imprimada

(1) Riel de Deslizamiento Negro Mate

- Herrajes Para Correas – (2) Correas Dobladas
- Pernos de Correa – (4) Pernos de Montaje de Correa de 2-3/8", (4) Tuercas Hexagonales, (4) Tuercas de Sombrerete, (8) Arandelas
- Manija Negra Mate de 7-1/2" – (1) Manija, (2) Tornillos
- Tablero de Montaje Imprimado: (1) Tablero de madera imprimado solo para instalacion en paneles de yeso (el tamaño depende de ancho de la puerta, consulte los detalles a continuacion)
 - Las dimensiones de la placa de montaje imprimada para puerta de 37" = 78-3/4" x 3-1/2" x 1/2"
 - Las dimensiones de la placa de montaje de 43" con imprimacion para puerta = 90-3/4" x 3-1/2" x 1/2"

(Tornillos de madera no incluidos. Se recomiendan 10# 2-1/2" tornillos de cabeza Phillips de madera.)

- Riel- (1) Riel deslizando negro mate (el tamaño depende del ancho de la puerta, consulte los detalles a continuacion)
 - Las dimensiones del riel deslizando de la puerta de 37" = 78-3/4" x 1-9/16" x 1/4" y tiene 5 orificios de montaje.
 - Las dimensiones del riel deslizando de la puerta de 43" = 90-3/4" x 1-9/16" x 1/4". Es dos piezas con un em palme y tiene 5 agujeros de montaje.

(Anclajes de masoneria)

- Pernos de montaje en riel – (5) Pernos de montaje en riel, (5) Arandelas, (5) Anclajes para paneles de yeso.
- Manijas comun – (5) Separadores de pared, (1) Tope de angulo acolchado izquierdo, (1) Tope de angulo acolchado derecho, (4) Tornillos Hexagonal, (1) Llave hexagonal, (2) parachoques anti-salto con (2) tornillos
- Guia del piso – (1) Guia de la puerta montada en el piso, (2) Tornillos, (2) Anclajes.

PASO 1 – INSTALACION DE LA PUERTA DE BARRA CINTA DOBLADA

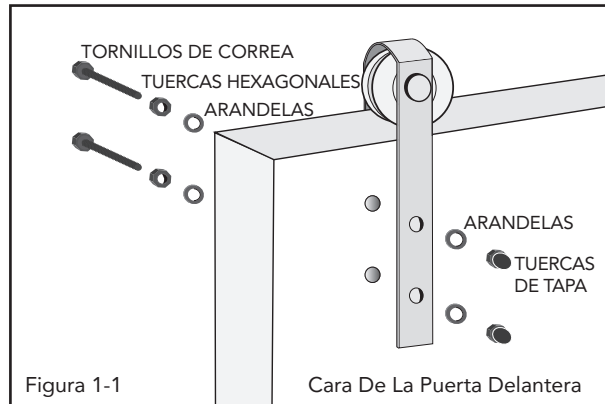
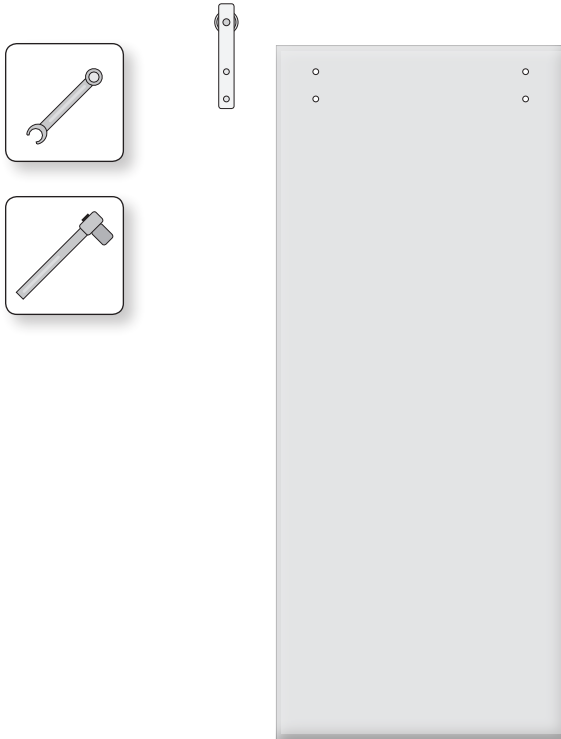
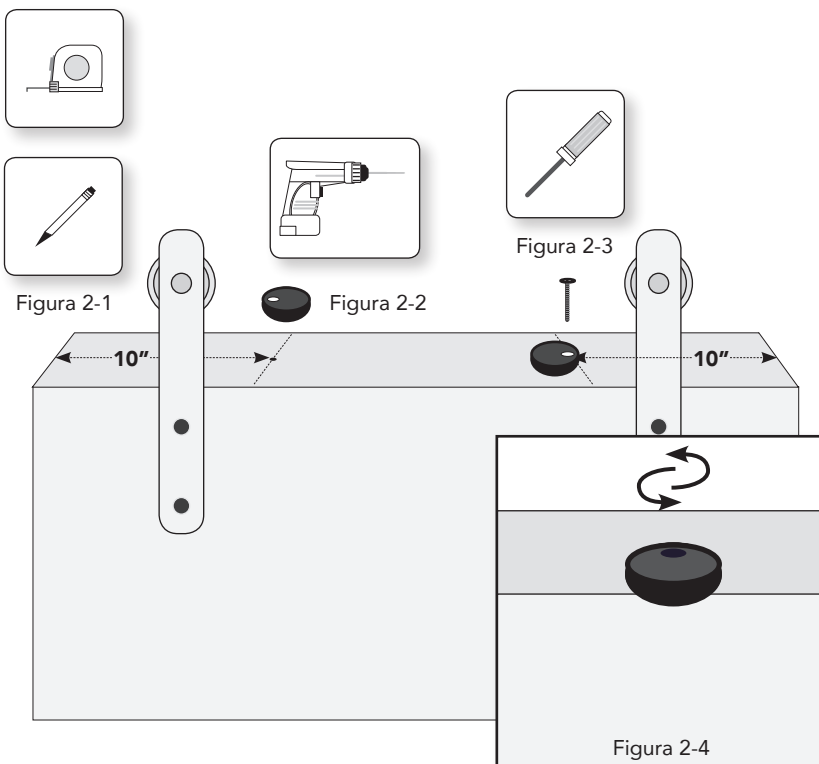


Figura 1-1

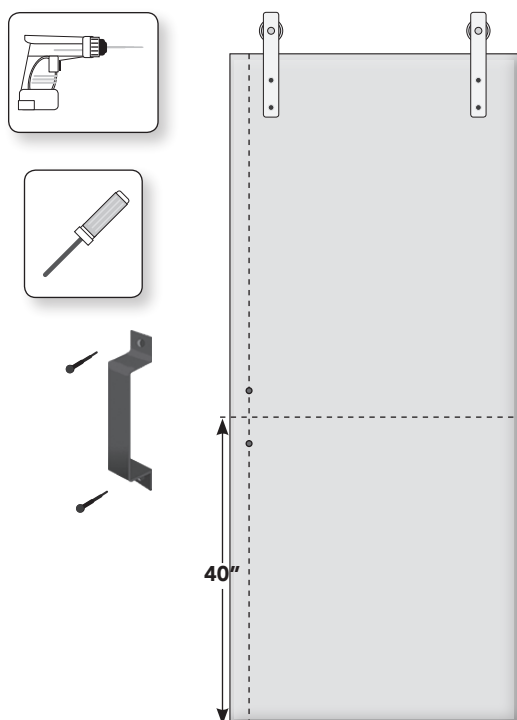
Cara De La Puerta Delantera

La puerta del establo viene lista para instalarse, con agujeros perforados para montar la correa doblada. Para instalar la correa doblada, apriete y asegure los pernos y arandelas d la correa de 2-3/8" con una llave de tubo para apretar y asegurar la manija. Es importante usar una llave para sujetar las tuercas en su lugar mientras aprieta los pernos de la correa con la llave de tubo. Además asegúrese de instalar primero las tuercas hexagonales y las tuercas de la tapa. (Figura 1-1) demuestra el orden de los pernos tuercas y arandelas.

PASO 2 – INSTALACION ANTI-JUMP DE PARACHOQUES



Mida 10" en la parte superior de l panel de la puerta desde ambos extremos y marque ligeramente con un lapiz (Figura 2-1). Coloque los protectors contra saltos en la parte superior de la puerta para que estén centrados. Gire los topes de manera que el orificio del tornillo de compensacion este orientado hacia el lado de la puerta que tiene la pieza de sujecion de la correa doblada (Figura 2-2). Perfore un orificio pilot de 1/8" a través del orificio del tornillo del parachoques anti-salto de aproximadamente 1/2" de profundidad y use un destornillador para instalar el tornillo asegurandose de no apretar completamente (Figura 2-3). Gire los parachoques girando sobre el tornillo de modo que los parachoques sobresalgan de la parte frontal de lapuerta (Figura2-4). Una vex que la puerta se coloca en el riel, los topes se pueden girar hacia su posicion para que quede centrado en la puerta y centrado directamente debajo del riel. Luego apriete completamente los tornillos.



En función de como funcionara la puerta de su establo, determine el lado de la puerta en el que desea instalar la manija. Mida 40" desde la parte inferior de la puerta y marque ligeramente con un lapiz. Mida mas de 2" desde el borde de la puerta y marque ligeramente con un lapiz. Centre la cerradura en el eje de las marcas y con un lapiz, marque ligeramente los orificios de los tornillos de la cerradura y perforo un orificio de 1/8" de 1/2" de profundidad antes de instalar los tornillos con un destornillador.

NOTAS DE INSTALACION DE PARED DE YESO:

PARA LA INSTALACION DE CONCRETO, SIGA LAS INSTRUCCIONES PASOS ETIQUETADOS "A" – INSTALACION EN PARED DE SECADO A CONTINUACION

PARA LA INSTALACION DE PAREDES DE YESO, SIGA LA INSTRUCCIONES PASOS ETIQUETADOS "B" – INSTALACION DE CONCRETO A CONTINUACION

- Este juego de puerta de granero incluye una puerta de 37" x 84" o una puerta de 43" x 84" y los accesorios necesarios para instalar el producto.
- El tamaño de apertura recomendado para la puerta de 37" de ancho es de 28" a 32" de ancho y de hasta 80-1/2" de altura con borde y de hasta 83" sin borde.
- El tamaño de apertura recomendado para la puerta de 43" de ancho es de 34" a 38" de ancho y de hasta 80-1/2" de altura con borde y 83" sin borde.
- Al instalar el sistema de la puerta del establo en el panel de yeso, la placa de montaje imprimada y el riel deben asegurarse con tornillos para madera (no provistos) en los pernos de la pared para soportar el peso de la puerta instalada. Utilice un buscador de viga para localizar y marcar los pernos.
- Para obtener resultados optimos, el riel deslizante debe estar centrado a 1-1/2" de la jamba mas cercana cuando la puerta esta en la posicion abierta.
- Al instalar en paneles de yeso, la placa de montaje imprimada debe usarse junto con los pernos y anclajes de montaje del riel

NOTAS DE INSTALACION DE CONCRETO

PARA LA INSTALACION DE PAREDES DE YESO, SIGA LA INSTRUCCIONES PASOS ETIQUETADOS "B" – INSTALACION DE CONCRETO A CONTINUACION

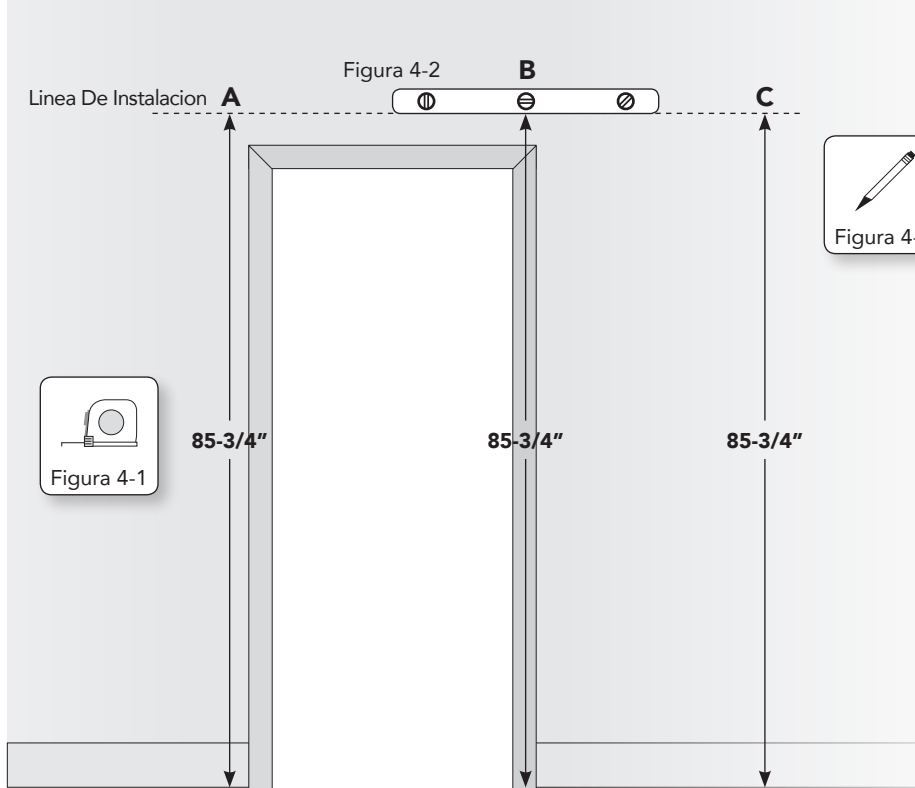
PARA LA INSTALACION DE CONCRETO, SIGA LAS INSTRUCCIONES PASOS ETIQUETADOS "A" – INSTALACION EN PARED DE SECADO A CONTINUACION

- Este juego de puerta de granero incluye una puerta de 37" x 84" o una puerta de 43" x 84" y la cerradura necesaria para instalar el producto.
- El tamaño de apertura recomendado para la puerta de 37" de ancho es de 28" a 32" de ancho y de hasta 80-1/2" en altura con recorte y hasta 83" sin recortar.
- Cuando instale en una pared de concreto, no use la placa de montaje imprimada incluida en este juego.
- El tamaño de apertura recomendado para la puerta de 43" de ancho es de 34" a 38" de ancho y hasta en altura.
- Junto con los pernos de montaje del riel, use anclajes de pared de mamposteria para asegurar el riel al pared de concreto.

Nota: Este juego no incluye anclajes de pared para mamposteria. 5/16" x 1-3/4" zinc Se recomiendan anclajes de pared de mamposteria de aleacion.

- Para obtener resultados optimos el centro del riel debe instalarse a 1-1/2" de la posicion de la jamba abierta

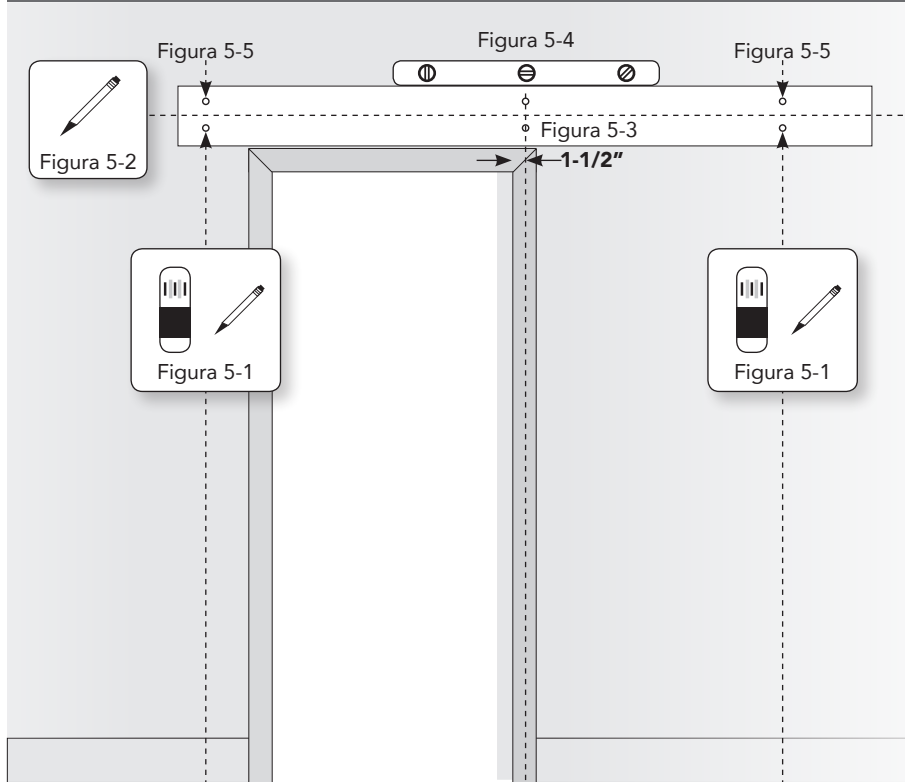
PASO 4A /PASO 4B – INSTALACION DE PARED Y CONCRETO



Para lograr la cantidad correcta de espacio libre para la puerta del establo, mida $85\text{-}3/4''$ desde el piso con una cinta metrica en tres ubicaciones diferentes distancia igual que abarca la longitud de su carril como se muestra en la imagen (a,b,b) y marque con un lapiz (Figura 4-1). Luego utilizando un nivel, determine que medida es la mas alta (Figura 4-2). Con un lapiz, marque una linea de instalacion horizontal que se extienda mas alla de la abertura en ambos lados (Figura 4-3).

La linea de instalacion representa el centro del riel deslizante.

PASO 5A – INSTALACION DE PARED DE YESO



Nota: Los tornillos para madera se venden por separado. Para soporte adicional, los anclajes para paneles de yeso tambien pueden se utilizara junto con los.

Localice los pernos cerca de la abertura utilizando un buscador de pernos. Con un lapiz, marque donde los montantes se intersecan con la linea de instalacion horizontal a cada lado de la abertura (Figura 5-1). Luego, encuentre el centro del tablero de montaje imprimado y marquelogeramente con un lapiz (Figura 5-2). Coloque la placa de montaje de modo que el centro quede a $1\text{-}1/2''$ de el interior del borde jamba (Figura 5-3). Asegurese de que la placa de montaje imprimada este nivelada a lo largo de la linea de instalacion en el centro (Figura 5-4). Perfore previamente un orificio piloto (el tamaño de la broca depende del tamaño del tornillo de madera) en la placa de montaje y luego asegure la placa de montaje a la pared atornillando los tornillos de madera en los pernos con un destornillador o un destornillador inalámbrico (Figura 5-5).

PASO 5B – INSTALACION DE CONCRETO

No utilice el tablero de montaje imprimado incluido en este juego cuando lo instale en una instalacion de concreto. Salta al paso 6B.

PASO 6A – INSTALACION DE PARED DE YESO

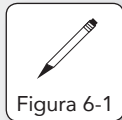


Figura 6-1

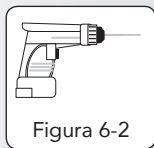
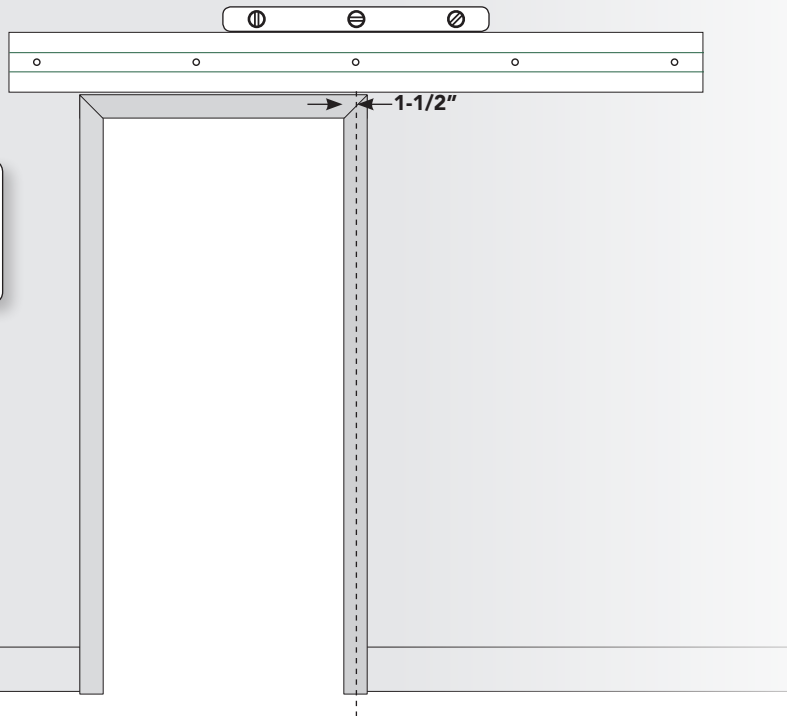


Figura 6-2



Coloque el riel deslizante en el centro de la placa de montaje imprimada asegurándose de que este nivelada y marque los orificios en el riel deslizante con un lápiz (Figura 6-1). Taladre previamente agujeros de 3/8" a través de la placa de montaje y en el panel de yeso (Figura 6-2).

PASO 6B – INSTALACION DE CONCRETO

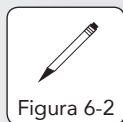


Figura 6-2

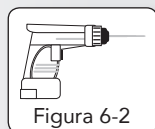
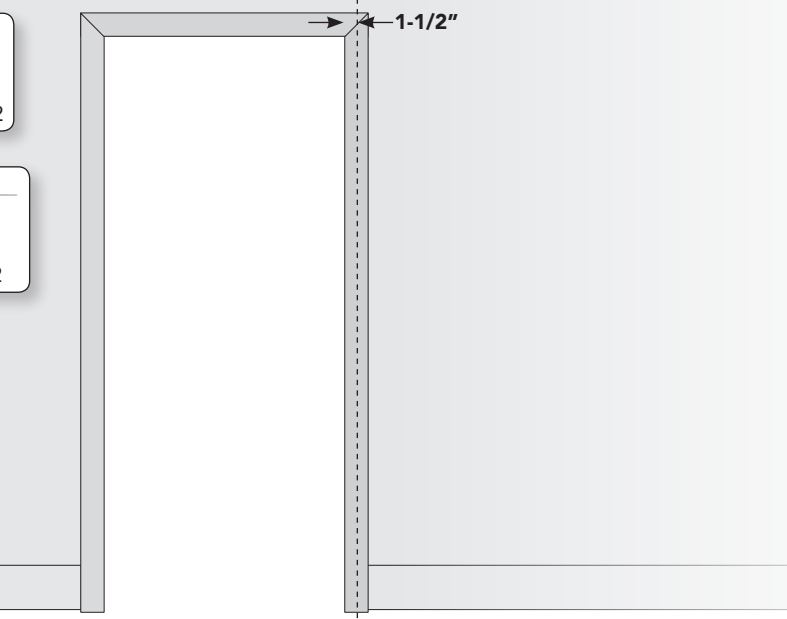


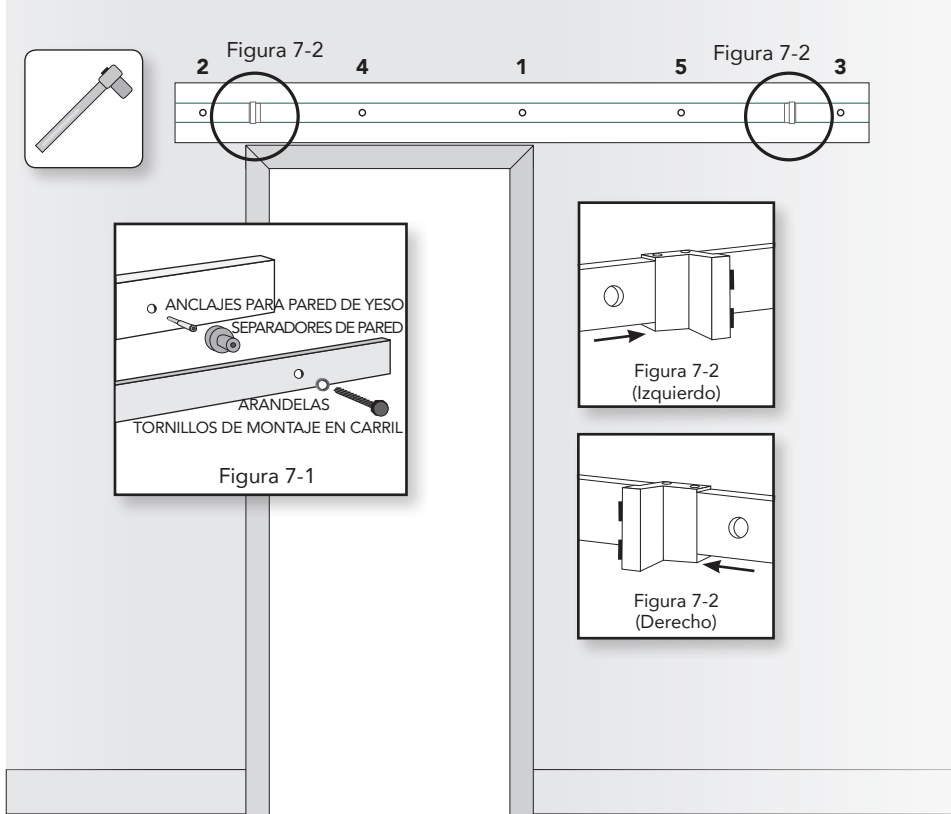
Figura 6-2



Localice el centro del riel deslizante y colóquelo de manera que quede a 1-1/2" de la jamba (Figura 6-1). Coloque el riel en su lugar asegurándose de que esté nivelado, marque los orificios en el riel con un lápiz (Figura 6-2) y perforo previamente los agujeros en la mampostería con una broca adecuada para anclajes de concreto de 5/16" (no se proporciona).

Nota: Al comprar anclajes de pared de mampostería, se recomiendan anclajes de aleación de zinc de 5/16" x 1-3/4"

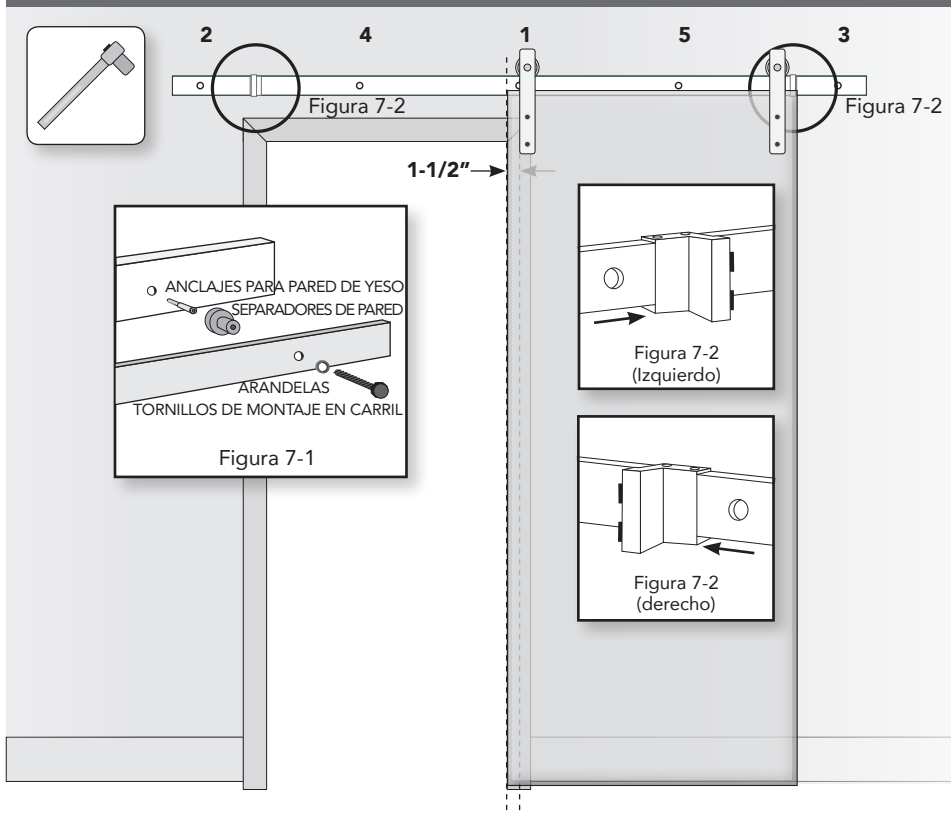
PASO 7A – INSTALACION DE PARED DE YESO



Al instalar el riel deslizante, primero inserte los anclajes para paneles de yeso, los separadores de pared, el riel deslizante y asegú los en el tablero de montaje imprimado utilizando los pernos de montaje del riel (con arandelas) provistos, asegurándolos con una llave de tubo (Figura 7-1). Para mayor facilidad, asegúrelo en el orden mostrado en el diagrama (comenzando con el número 1 al 5).

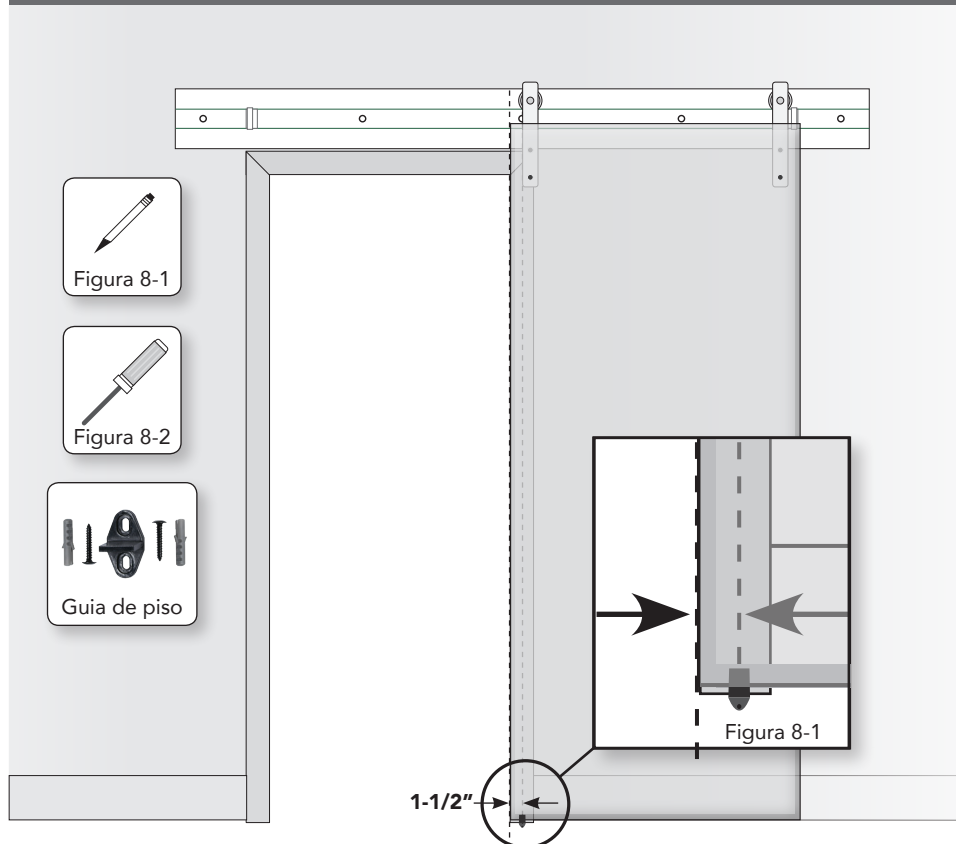
Nota: Es posible que deba insertar previamente los toques de angulo acolchados a la izquierda y a la derecha dentro de los orificios externos del riel, dependiendo de donde desea que se detenga la puerta de su establo (Figura 7-2).

PASO 7B – INSTALACION DE CONCRETO



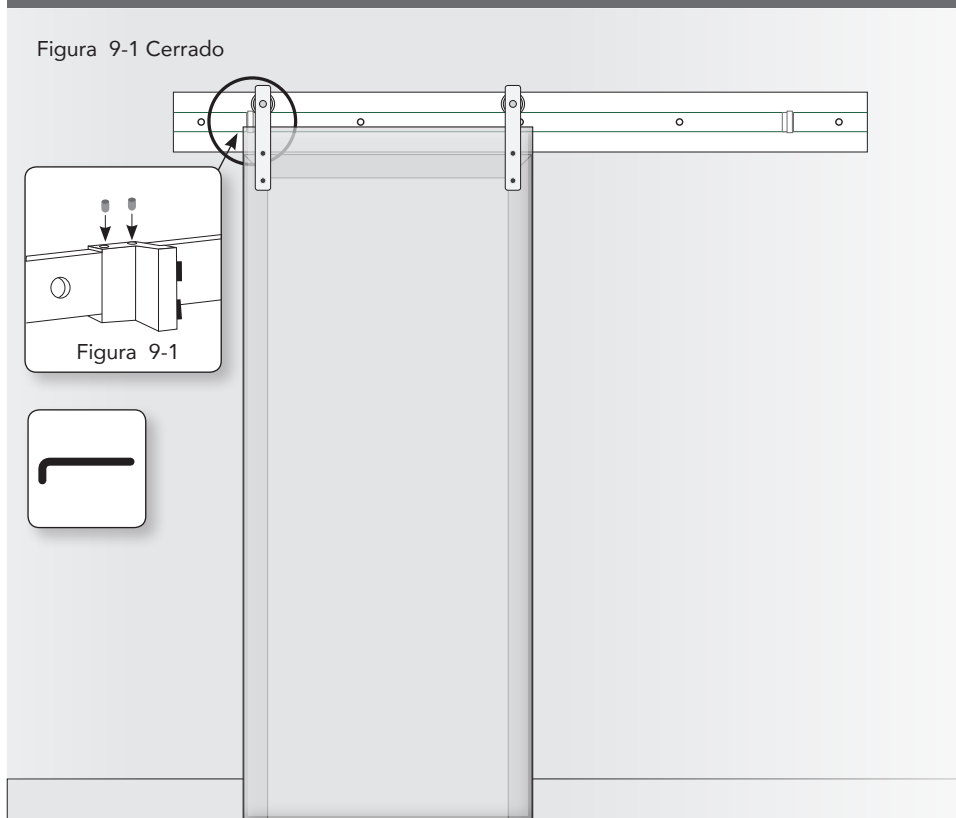
Al instalar el riel deslizante, primero instale los anclajes de mampostería. A continuación, coloque los separadores de pared en la parte superior de los anclajes. Luego asegure el riel deslizante directamente a la pared con los pernos y arandelas de montaje del riel. Asegurese de que los pernos de montaje del riel pasan a través de la arandela, el riel de montaje, los espaciadores de pared y hacia los anclajes de mampostería (Figura 7-1). Para mayor facilidad, asegúrelo en el orden que se muestra en el diagrama (comenzando con el número 1 al 5).

Nota: Es posible que deba insertar previamente los toques de angulo acochados a la izquierda y a la derecha dentro de los orificios



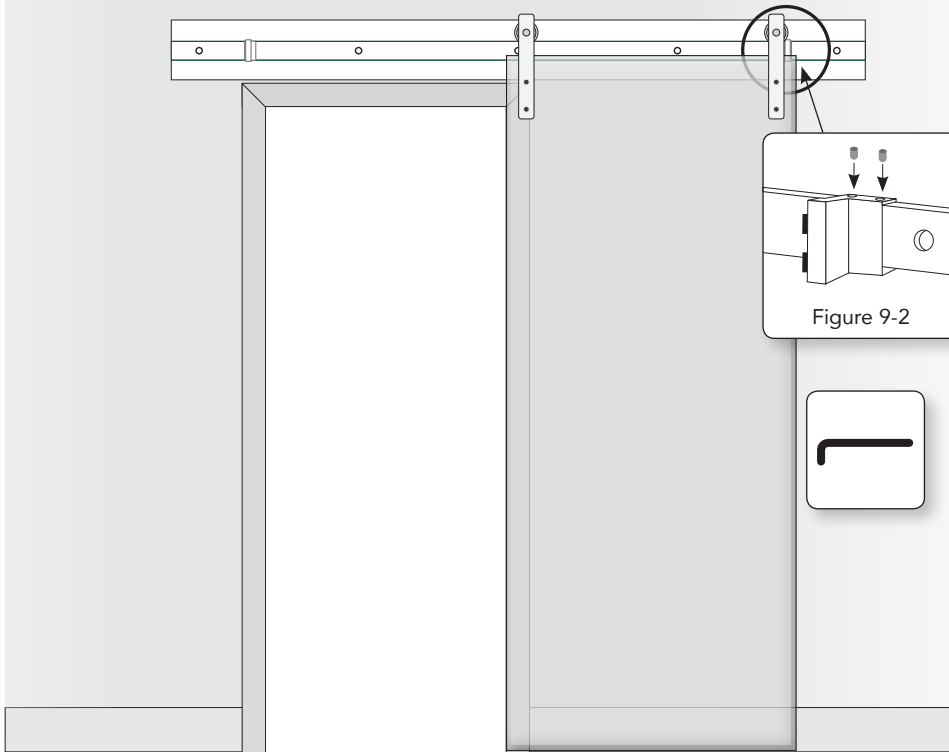
externos de riel, dependiendo de donde esa que se detenga la puerta de su establo (Figura 7-2).

Para instalar la guia montada en el piso, coloque la puerta en el riel deslizable y abra la puerta. Coloque la guia 1-1/2" del borde del marco de la puerta y inserte la guia montada en el piso en la ranura en la parte inferior de la puerta. Marque los orificios de la guia en el piso con un lapiz (Figura 8-1) y perforo previamente con una broca de 1/8" antes de atornillar la guia en su lugar con un destornillador (Figura 8-2). Los anclajes de guia de piso deben usarse con todos los tipos de pisos exepcto la madera dura. Al instalar en pisos de madera dura, use solo los tornillos provistos.



Para asegurar los topes de puerta con angulo acolchado, primero comience con la puerta en la posicion cerrada. Coloque un tope de angulo acolchado en el riel para que se junte con el hardware de la correa doblada en la posicion cerrada. Asegure el tope apretando el tornillo interno con la llave hexagonal (Figura 9-1).

Figura 9-2 Abrió



Siguiente, ponga la puerta en la posición abierta. Inserte dos tornillos hexagonales en el tope de ángulo amortiguado. Coloque el otro tope de ángulo acolchado en el riel para que se junte con el hardware de la correa doblada en la posición acolchado en ángulo apretando el tornillo con la llave hexagonal (Figura 9-2).

Esto complete el proceso de instalación de Puerta de Granero

TSCA TITLE VI COMPLIANT

PROP 65 ADVERTENCIA



ADVERTENCIA: Este producto puede exponerte a sustancias químicas, incluso aserrín que el estado de California reconoce como causante de cáncer. Para más información, visita www.P65Warnings.ca.gov/wood

Vea El Video De Instalacion De Puerta De Granero EnVivo En EnVivoBarnDoor.com

Tiene Preguntas?

Comuníquese con nuestro Equipo de Servicio Técnico al 1-800.827.1615 ext. 10345 o door_info@vtindustries.com

Partes faltantes o dañadas?

Comuníquese con nuestro Equipo de Servicio al Cliente 1-888-787-2366 ext. 18239

VTINDUSTRIES.COM



HOLSTEIN, IOWA FACILITY
1000 INDUSTRIAL PARK
P.O. BOX 490
HOLSTEIN, IA 51025

SAN ANTONIO, TEXAS FACILITY
1732 UNIVERSAL CITY BLVD.
UNIVERSAL CITY, TX 78148