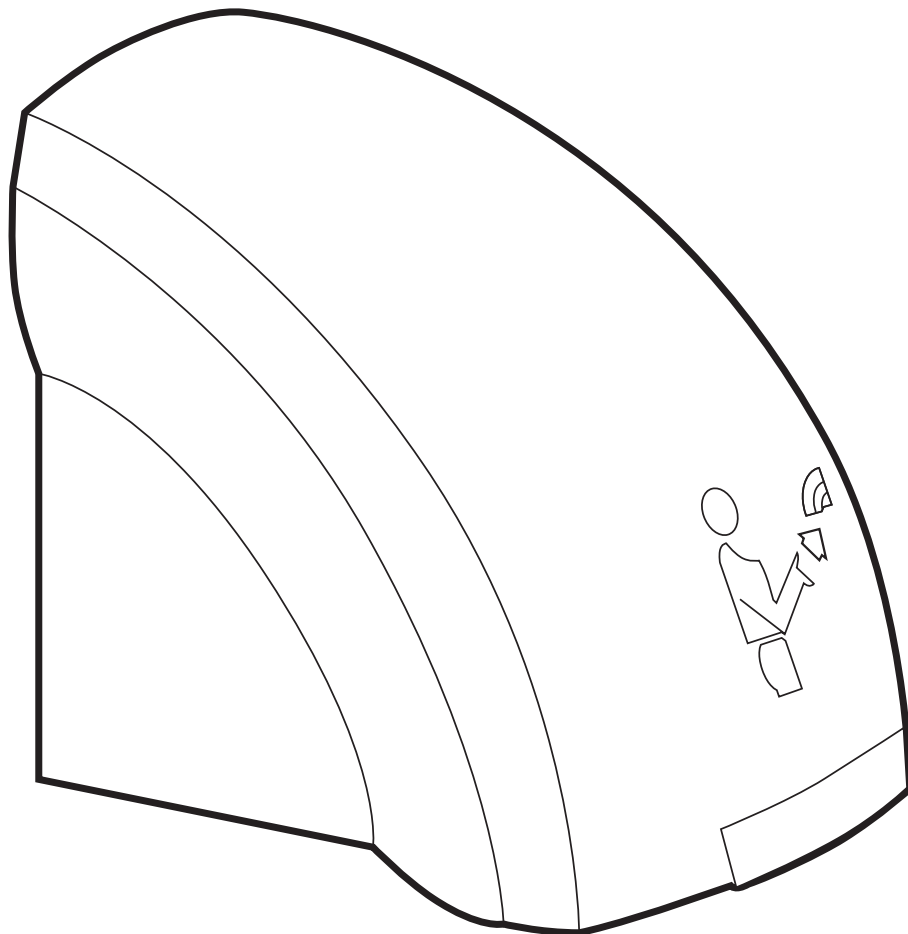


STIEBEL ELTRON

GALAXY™ Series Automatic Hand Dryer



Operating Instructions for the User & Installation Instructions for the Licensed Installer

THIS MANUAL MUST BE READ CAREFULLY BEFORE ATTEMPTING TO INSTALL THE GALAXY™ AUTOMATIC HAND DRYER. IF YOU DO NOT FOLLOW THE SAFETY RULES OR THE INSTRUCTIONS OUTLINED IN THIS MANUAL, THE UNIT MAY NOT OPERATE PROPERLY AND IT COULD CAUSE PROPERTY DAMAGE, SERIOUS BODILY INJURY AND/OR DEATH.

STIEBEL ELTRON, INC. WILL NOT BE LIABLE FOR ANY DAMAGES BECAUSE OF FAILURE TO COMPLY WITH THE INSTALLATION AND OPERATING INSTRUCTIONS OUTLINED IN THIS MANUAL OR BECAUSE OF IMPROPER USE. FAILURE TO COMPLY WITH THE INSTALLATION AND OPERATING INSTRUCTIONS OR IMPROPER USE VOIDS WARRANTY.

NEVER REMOVE THE UNIT'S COVER UNLESS THE ELECTRICITY IS TURNED OFF. MAKE SURE THAT AIR INLET AND AIR EXIT GRILLS ARE ALWAYS KEPT FREE TO ENSURE PROPER AIR FLOW.

IF YOU HAVE ANY QUESTIONS REGARDING THE INSTALLATION OR OPERATION OF THIS HAND DRYER OR IF YOU NEED A COPY OF THE INSTALLATION INSTRUCTIONS PLEASE CALL OUR TECHNICAL SERVICE LINE AT 1-800-582-8423.

LIMITED WARRANTY

STIEBEL ELTRON, Inc. warrants to the original owner that the GALAXY™ hand dryer will be free from defects in workmanship and materials for a period of FIVE YEARS from the date of purchase. Should any part(s) prove to be defective under normal use during this period, STIEBEL ELTRON, Inc. will be responsible for replacement of the defective part(s) only. Damage to the housing due to abuse is not covered by this warranty. STIEBEL ELTRON, Inc. is not responsible for labor charges to remove and/or replace the defective part(s), or any incidental or consequential expenses. Should the owner wish to return the entire unit for repair, the owner must first secure written authorization from STIEBEL ELTRON, Inc. The owner shall be required to show proof of purchase date by including a copy of the original invoice, and to pay all transportation costs to return defective part(s) or hand dryer for repair or replacement.

IF YOU NEED TO RETURN A PART OR A HAND DRYER UNDER WARRANTY, PLEASE CALL US FIRST TO OBTAIN SHIPPING INSTRUCTIONS. REMEMBER TO SEND A COPY OF THE INVOICE WITH YOUR RETURNED PART.

STIEBEL ELTRON, Inc.
17 West Street
West Hatfield, MA 01088
Phone: 800-582-8423

Operating Instructions for the user

In order to dry your hands most efficiently, please use the following procedure:

- shake off excess water over the wash basin
- place hands underneath the unit at a distance of 4" - 7"
- rub your hands together as if you were washing them

Your hands will be dry within 25 - 35 seconds.

The STIEBEL ELTRON GALAXY™ series hand dryers are equipped with an infrared sensor switch. This sensor will activate the unit when hands are placed underneath it. Approximately 7 seconds after the hands have been removed, the unit will automatically shut off.

The sensor is the black rectangle located underneath the unit between the air exit and air inlet grills. The sensor switch will not work properly if it has been covered by gum or dirt. If the sensor is obstructed, the hand dryer will switch off automatically to prevent it from running continuously. Should the unit overheat, a safety high-limit switch will turn off the heating element. The safety high-limit switch resets automatically once the heating element has had a chance to cool down.

Normal Care

To clean the case use a soft cloth with a mild detergent if necessary. Never use any abrasive cleaners since they will scratch the finish of the unit. Never spray water or cleaning fluids directly on hand dryer. While cleaning the unit, make sure the electric eye switch is not covered. **THE GALAXY™ HAND DRYER DOES NOT CONTAIN ANY PARTS SERVICEABLE BY THE LAY PERSON. IN CASE OF MALFUNCTION PLEASE CONTACT A LICENSED ELECTRICIAN.**

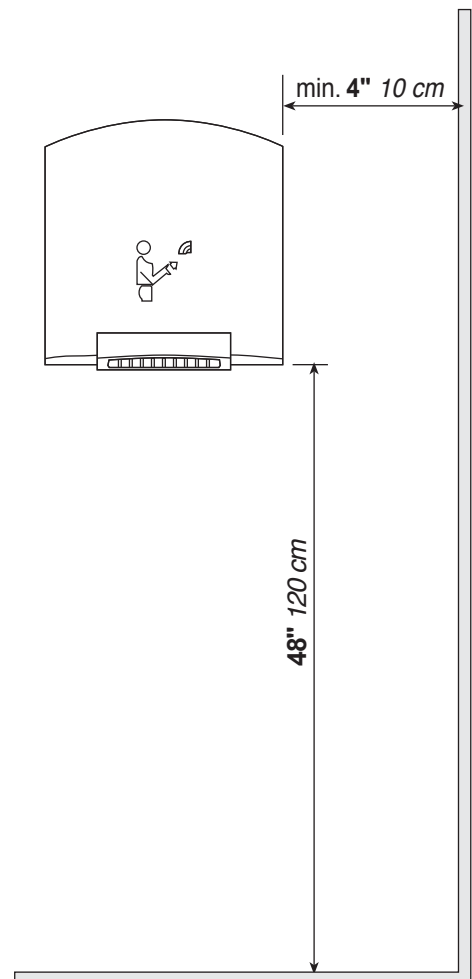


FIG. 1

GALAXY™ with Plastic Housing

Installation Instructions for the Licensed Installer

DO NOT INSTALL UNIT WHERE IT CAN ACCIDENTALLY BE SPLASHED WITH WATER, ELECTRIC SHOCK MAY RESULT.

WARNING: BEFORE BEGINNING ANY WORK ON THE ELECTRIC INSTALLATION, BE SURE THE MAIN BREAKER PANEL SWITCH IS "OFF" TO AVOID ANY DANGER OF ELECTRIC SHOCK.

NOTE: THE CIRCUIT SHOULD BE EQUIPPED WITH A "GROUND FAULT INTERRUPTER" WHERE REQUIRED BY LOCAL, STATE OR NATIONAL ELECTRICAL CODES.

1. All electrical work must comply with national and applicable state and local electrical codes.
2. The GALAXY™ hand dryer must have its own independent circuit using 3 wire cable of the appropriate size protected by a correctly rated double pole circuit breaker. The GALAXY™ 1 unit for 110-120V requires a 20 amp circuit breaker and a gauge #12 copper wire. The GALAXY™ 2 unit for 220-240V or 208V requires a 15 amp circuit breaker and a gauge #12 copper wire.
3. Install unit so that the bottom is approximately 48" above floor. Unit should be at least 4" from a perpendicular wall. (FIG. 1, previous page)
4. Transfer the four mounting points to the wall by using the enclosed drilling template and drill mounting holes.
5. Remove the two screws at the air outlet grill and the screw on the locking bolt (FIG. 2).
6. Pull down locking bolt. Remove front part of housing (FIG. 2).
7. Install a 1/2" electrical connector in the back part of housing in the hole located below the wiring block.
8. Feed wires through connector; tighten clamp down on wire. Mount back part of housing to the wall.
9. The "live" wires must be connected to the slots on the terminal marked N/L and L. Ground wire must be connected to the wire terminal on the blower housing with the ground symbol.

WARNING: AS WITH ANY ELECTRIC APPLIANCE, FAILURE TO ELECTRICALLY GROUND UNIT MAY RESULT IN SERIOUS INJURY OR DEATH.

10. Reinstall front cover, push up locking bolt and reinstall the three screws that were removed earlier.

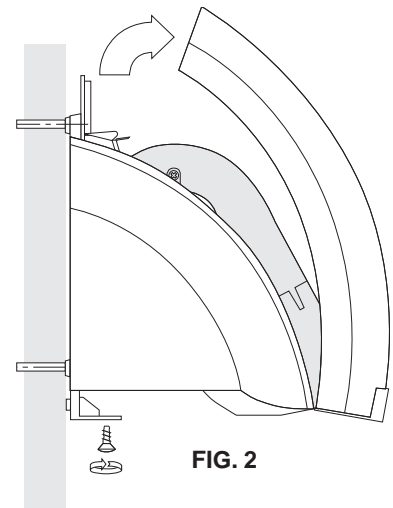


FIG. 2

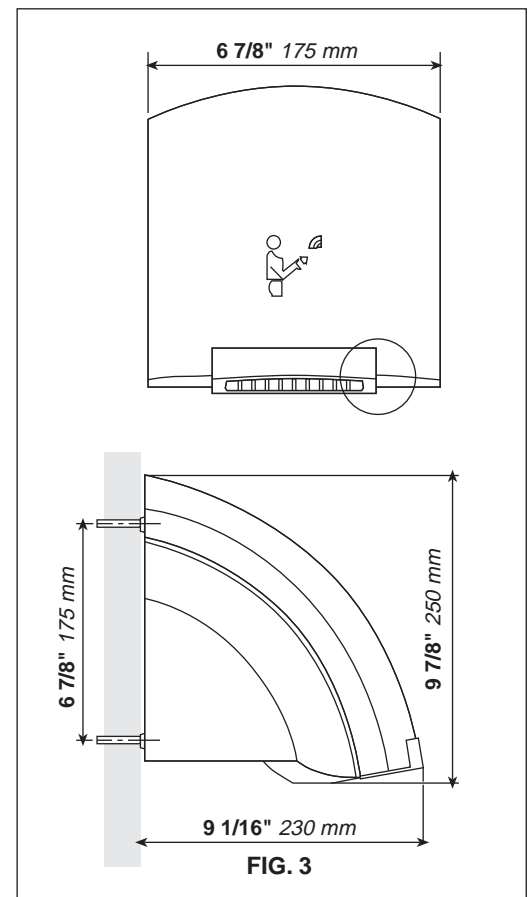


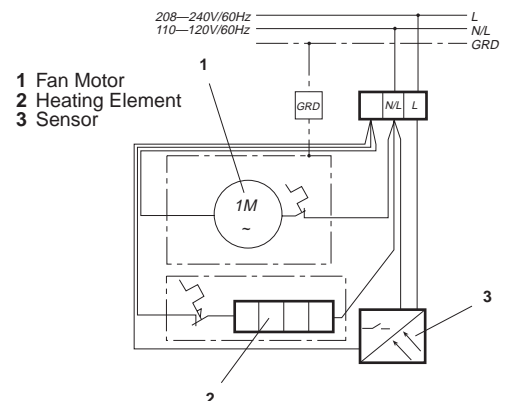
FIG. 3

Technical Data

GALAXY™ 1: 120V, 60 Hertz, 1850 Watts
(Heating element 1800 Watts, motor 50 W)

GALAXY™ 2: At 240V, 60 Hertz, 2000 Watts
(Heating element 1950 Watts, motor 50 W)
At 208V, 60 Hertz, 1500 Watts
(Heating element 1450 Watts, motor 50 W)

For dimensions see figure 3. The weight of the unit without shipping materials is 5.5 lbs (2.5 kg).



GALAXY™ with Metal Housing

Installation Instructions for the Licensed Installer

DO NOT INSTALL UNIT WHERE IT CAN ACCIDENTALLY BE SPLASHED WITH WATER, ELECTRIC SHOCK MAY RESULT.

WARNING: BEFORE BEGINNING ANY WORK ON THE ELECTRIC INSTALLATION, BE SURE THE MAIN BREAKER PANEL SWITCH IS "OFF" TO AVOID ANY DANGER OF ELECTRIC SHOCK.

NOTE: THE CIRCUIT SHOULD BE EQUIPPED WITH A "GROUND FAULT INTERRUPTER" WHERE REQUIRED BY LOCAL, STATE OR NATIONAL ELECTRICAL CODES.

- All electrical work must comply with national and applicable state and local electrical codes.
 - The GALAXY™ hand dryer must have its own independent circuit using cable of the appropriate size protected by a correctly rated circuit breaker. The GALAXY™ 1 unit for 110-120V requires a 20 amp circuit breaker and a gauge #12 copper wire. The GALAXY™ 2 unit for 220-240V or 208V requires a 15 amp circuit breaker and a gauge #12 copper wire.
 - Install unit so that the bottom is approximately 48" above floor. Unit should be at least 4" from a perpendicular wall (FIG. 1, on page 2)
 - Transfer the four mounting points to the wall by using the enclosed drilling template and drill mounting holes.
 - Remove one screw on the locking bolt (FIG. 4).
 - Pull down locking bolt. Remove housing (FIG. 4).
 - Install a 1/2" electrical connector in the back part of housing in the hole located below the wiring block.
 - Feed wires through connector; tighten clamp down on wire. Mount back part of housing to the wall.
 - The "live" wires must be connected to the slots on the terminal marked N/L and L. Ground wire must be connected to the wire terminal on the blower housing with the ground symbol.
- WARNING: AS WITH ANY ELECTRIC APPLIANCE, FAILURE TO ELECTRICALLY GROUND UNIT MAY RESULT IN SERIOUS INJURY OR DEATH.**
- Reinstall front cover, push up locking bolt and reinstall the screw that was removed earlier.

Technical Data

GALAXY™ 1:	120V, 60 Hertz, 1850 Watts (Heating element 1800 Watts, motor 50 W)
GALAXY™ 2:	At 240V, 60 Hertz, 2000 Watts (Heating element 1950 Watts, motor 50 W) At 208V, 60 Hertz, 1500 Watts (Heating element 1450 Watts, motor 50 W)

For dimensions see figure 3. The weight of the unit without shipping materials is 8.8 lbs (4 kg).

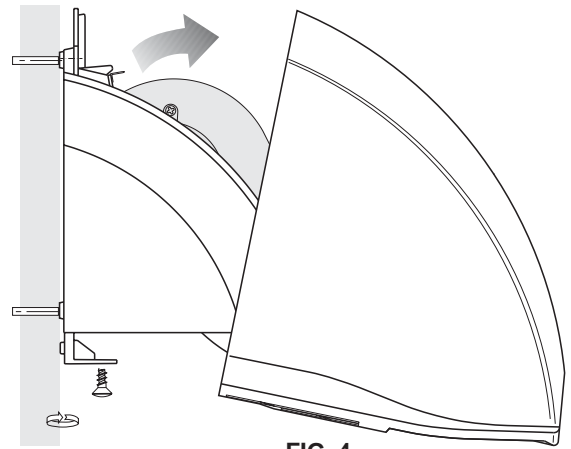


FIG. 4

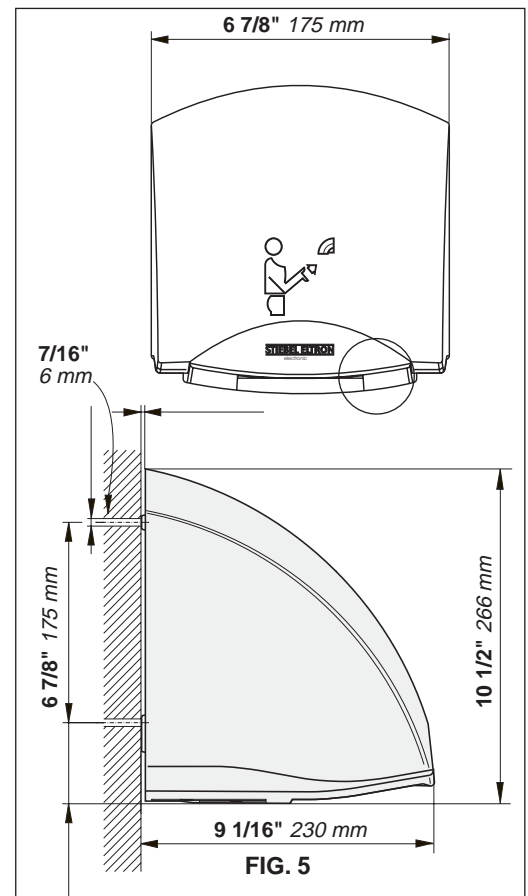
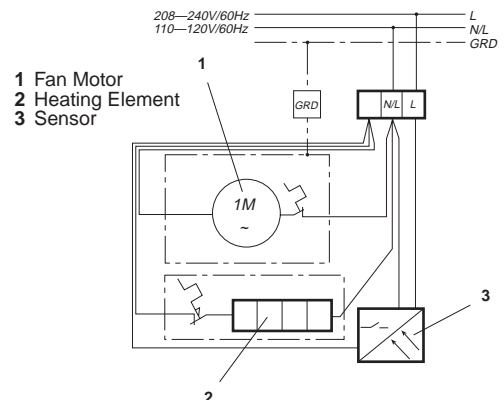


FIG. 5



Drilling Template for Mounting Galaxy Dryer

Drilling Template for Mounting Galaxy Dryer

Marking for drill holes

