

Features

- Cast iron with Safeguard® finish.
- Left drain.
- Three-wall alcove installation.
- 60" (1524 mm) x 32" (813 mm) x 15-1/2" (394 mm)



For complete listing of available colors, go to kohler.com.

ADA

Codes/Standards

ASME A112.19.1/CSA B45.2

ASTM F462

ADA

ICC/ANSI A117.1

KOHLER® Lifetime Limited Warranty for Cast Iron Components

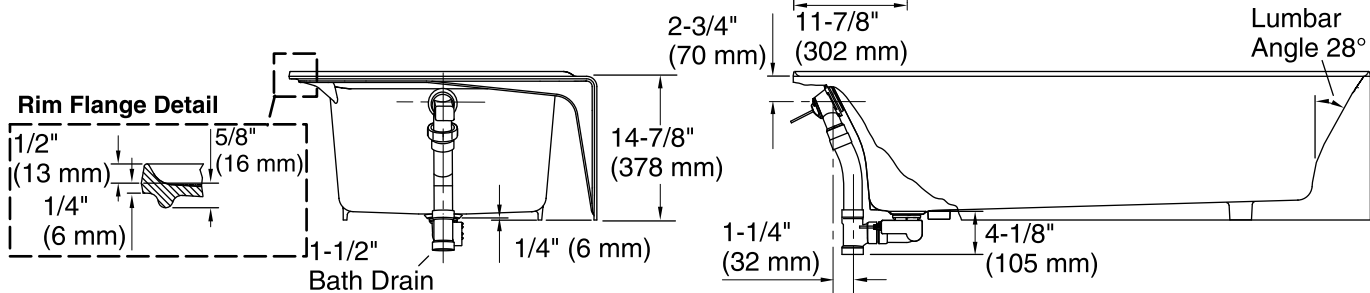
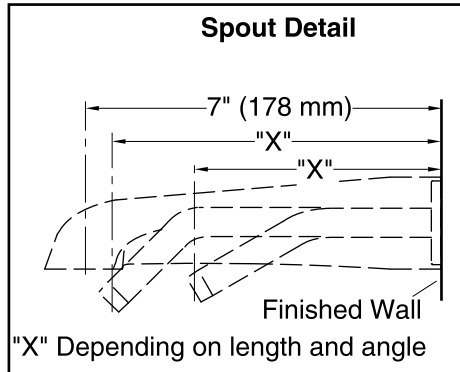
See website for detailed warranty information.

Product Specification

Bath shall be 60" (1524 mm) in length, 32" (813 mm) in width, and 15-1/2" (394 mm) in height. Bath shall be made of cast iron material with Safeguard® finish. Bath shall be left drain. Bath shall be three-wall alcove installation. Bath shall be KOHLER Model K-875.

Note: To clear the bath rim end wall, a minimum 7" (178 mm) bath spout is recommended. Water flow from angled bath spouts less than 7" (178 mm) may also provide needed clearance.

No change in measurements if connected with drain illustrated. (K-37383)



Technical Information

All measurements are nominal.

Installation:	3-Wall Alcove
Drain location:	Left
Basin area, bottom:	41-1/4" x 18-3/16" (1048 mm x 462 mm)
Basin area, top:	51-1/4" x 23-5/16" (1302 mm x 592 mm)
Weight:	298 lbs (135.2 kg)
Minimum floor load:	52 lbs/ft ² (253.9 kg/m ²)
Water depth:	11-5/16" (287 mm)
Water capacity:	44 gal (166.6 L)

Installation Notes

Measure your actual product for roughing-in details.

Install this product according to the installation guide.

The hot water supply should be 70% of the capacity of the bath or greater. Installations will vary.

ADA compliant when installed to the specific requirements of these regulations.