

Item # 1003 244 675

Model # G3002T-US



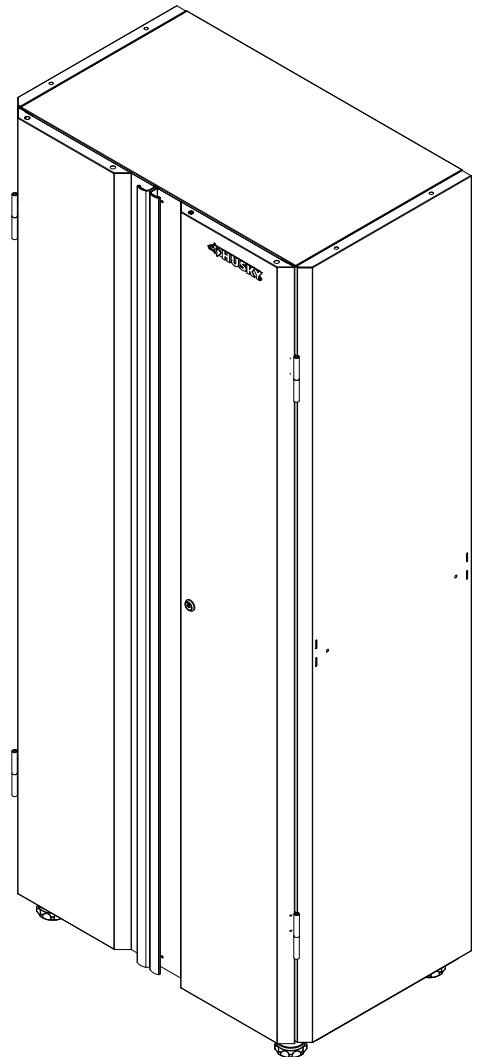
## USE AND CARE GUIDE

### 30 IN. STORAGE CABINET

Questions, problems, missing parts?  
Before returning to the store, call  
Husky Customer Service  
8 a.m. - 5 p.m., EST, Monday - Friday

1-888-HD-HUSKY

[WWW.HUSKYTOOLS.COM](http://WWW.HUSKYTOOLS.COM)



Due to continuing improvements,  
the actual product may differ slightly  
from the product described herein.

#### **THANK YOU**

*We appreciate the trust and confidence you have placed in Husky through the purchase of this cabinet. We strive to continually create quality products designed to enhance your home. Visit us online to see our full line of products available for your home improvement needs. Thank you for choosing Husky!*


# Table of Contents


Table of Contents .....	2	Assembly .....	5
Safety Information .....	2	Maintenance .....	9
Warranty .....	2	Care and Cleaning .....	9
Specifications .....	3	Service Parts .....	10
Pre-Assembly .....	3	Coordinating Products .....	11

# Safety Information


To reduce the risk of serious injury, read and follow the safety instructions below before assembling and using this product.

- This product is intended for indoor use only.
- This product is not designed for commercial nor industrial usage.


 **CAUTION:** Use at least two people to move, assemble or install this product. Failure to do so can result in personal injury or product damage.


 **CAUTION:** Close and lock the doors before moving this product.

 **CAUTION:** DO NOT alter this product in any manner. For example, do not weld external bar locks or attach electrical equipment. This may cause product damage or personal injury.

 **CAUTION:** Check all nuts and bolts periodically for tightness. When required, tighten them.

 **CAUTION:** DO NOT leave children unattended near this product. Cabinet may tip over if improperly opened.

 **WARNING:** Keep the product on level surfaces. The product could become unstable and it may tip over if stored or moved on an uneven surface, which may cause personal injury, death or product damage.

 **WARNING:** Any assembly or maintenance of the product must be carried out by adults only.

 **WARNING:** DO NOT stand on the product and do not use it as scaffold.

 **WARNING:** It is always recommended to secure this product to the wall with the anti-tip hardware provided.

 **WARNING:** DO NOT put anything on the top panel of this product.

# Warranty

This warranty excludes incidental/inconsequential damages and failures due to misuse, abuse or normal wear and tear.

This full warranty gives you specific rights, and you may also have other rights, which vary state to state.

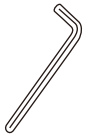
Contact the customer service team at 1-888-HD-HUSKY or visit [www.huskytools.com](http://www.huskytools.com).

# Specifications

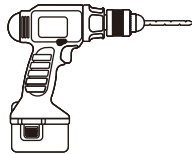
Maximum load for each door	11 lbs. / 5 kg
Maximum load for each shelf	150 lbs. / 68 kg
Maximum load for bottom panel	150 lbs. / 68 kg
Maximum total load	622 lbs. / 282 kg

# Pre-Assembly

## TOOLS REQUIRED



Hex Wrench (Hex Key)



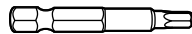
Drill  
(not included)



Safety Goggles  
(not included)



Socket (10mm)  
(not included)



Hex Screwdriver Bit

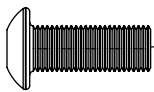


Gloves  
(not included)

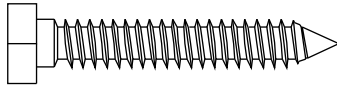
## HARDWARE INCLUDED



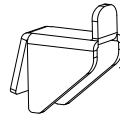
NOTE: Hardware not shown to actual size.



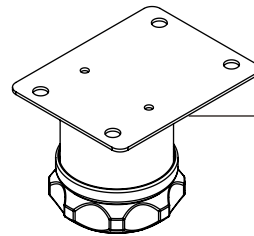
AA



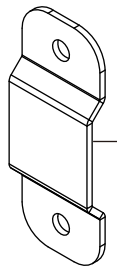
BB



CC

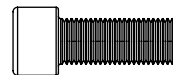


DD

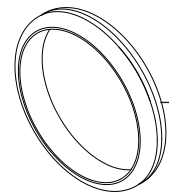


EE

Part	Description	Quantity
AA	M6 x 16 hex socket head screw	44
BB	M6 x 40 hex tapping bolt	2
CC	Shelf bracket	12
DD	Adjustable foot	4
EE	Safety bracket	1
FF	M6 x 16 hex socket head cap screw	2
GG	Grommet	2



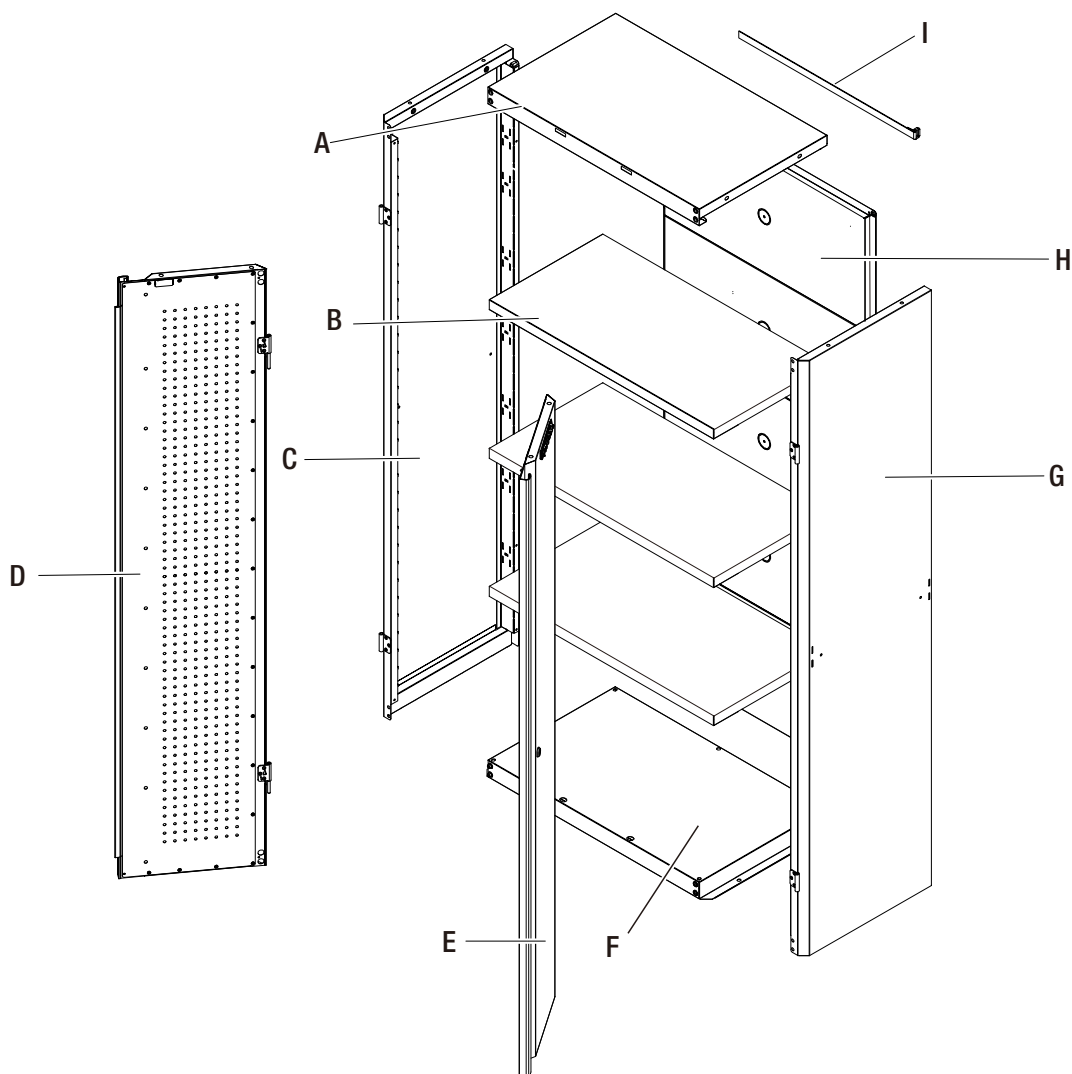
FF



GG

# Pre-Assembly (continued)

## PACKAGE CONTENTS



Part	Description	Quantity
A	Top panel	1
B	Shelf	3
C	Left side panel	1
D	Left door	1
E	Right door	1

Part	Description	Quantity
F	Bottom panel	1
G	Right side panel	1
H	Back panel	5
I	Safety strap	1

# Assembly



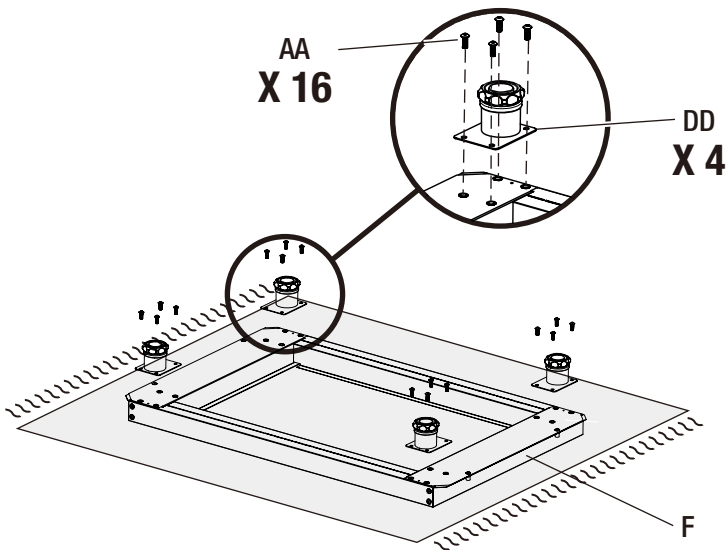
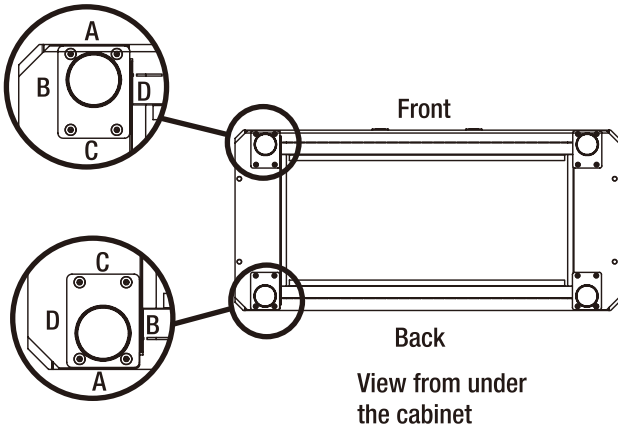
**NOTE:** Assemble on a flat surface. A piece of cardboard is recommended to keep the product from being scratched during assembly.



**CAUTION:** Please wear gloves during the whole assembling process.

## 1 INSTALLING THE ADJUSTABLE FEET

Install the adjustable feet (DD) to the bottom panel (F). Make sure side A of the adjustable feet (DD) are facing either towards the back or the front of the cabinet. Tighten securely with sixteen M6 x 16 hex socket head screws (AA).



## 2 ATTACHING THE SIDE AND BOTTOM PANELS

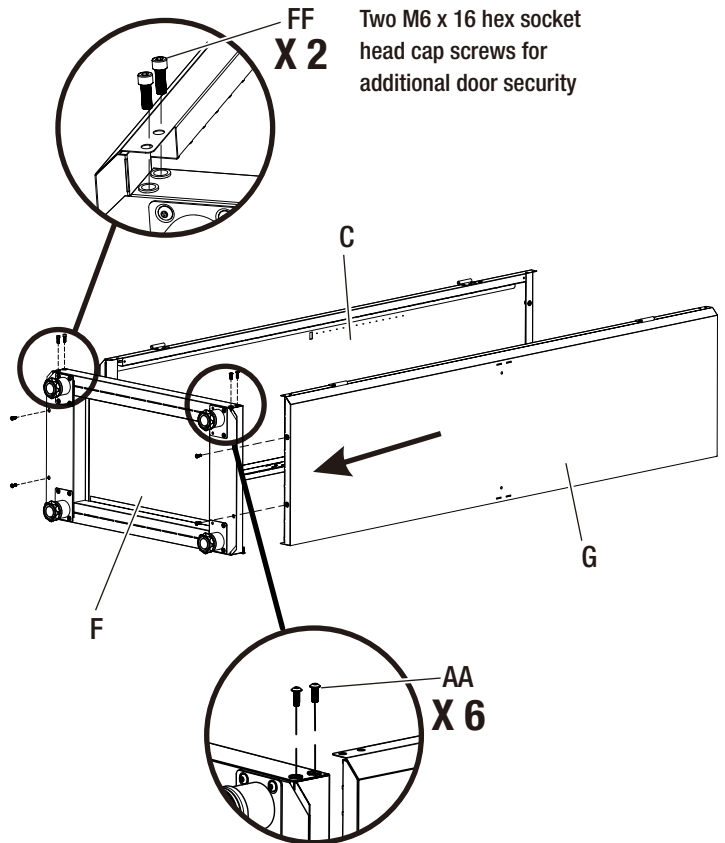


**NOTE:** Middle holes on side panels are for coordinating with 72 in. solid wood work surface only depends on your desire.



**CAUTION:** Two M6 x 16 hex socket head cap screws (FF) (security screws) should be fixed to the left bottom face of cabinet for additional door security.

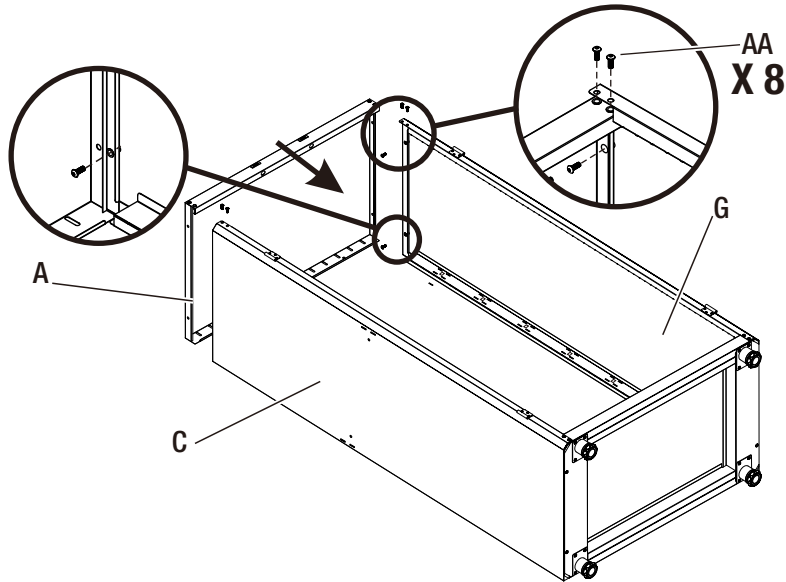
Attach the side panels (C & G) to the bottom panel (F) with two M6 x 16 hex socket head cap screws (FF) (security screws) and six M6 x 16 hex socket head screws (AA).



## Assembly (continued)

### 3 ATTACHING THE TOP PANEL

Attach the top panel (A) to the side panels (C & G) with eight M6 x 16 hex socket head screws (AA). Insert the screws by hand. DO NOT tighten.

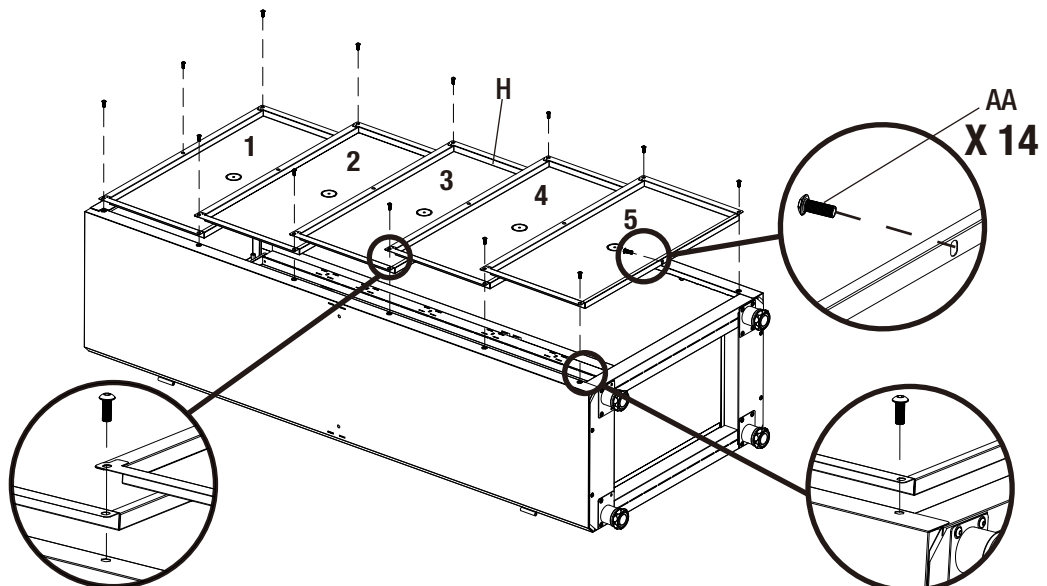


### 4 ATTACHING THE BACK PANELS



**CAUTION:** Make sure your floor is free of debris or the cabinet face is protected before laying the cabinet on its face.

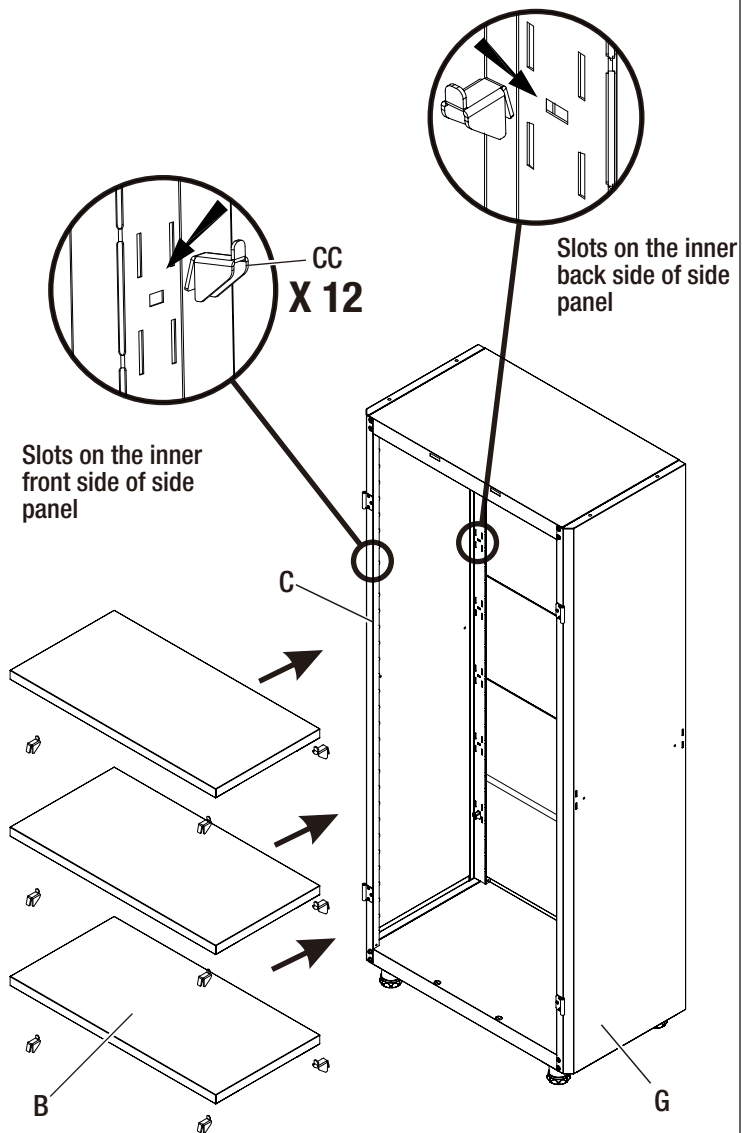
- Lay the cabinet on its face.
- Attach the back panels (H) to the back of the cabinet with fourteen M6 x 16 hex socket head screws (AA). Insert the screws by hand. DO NOT tighten.



## Assembly (continued)

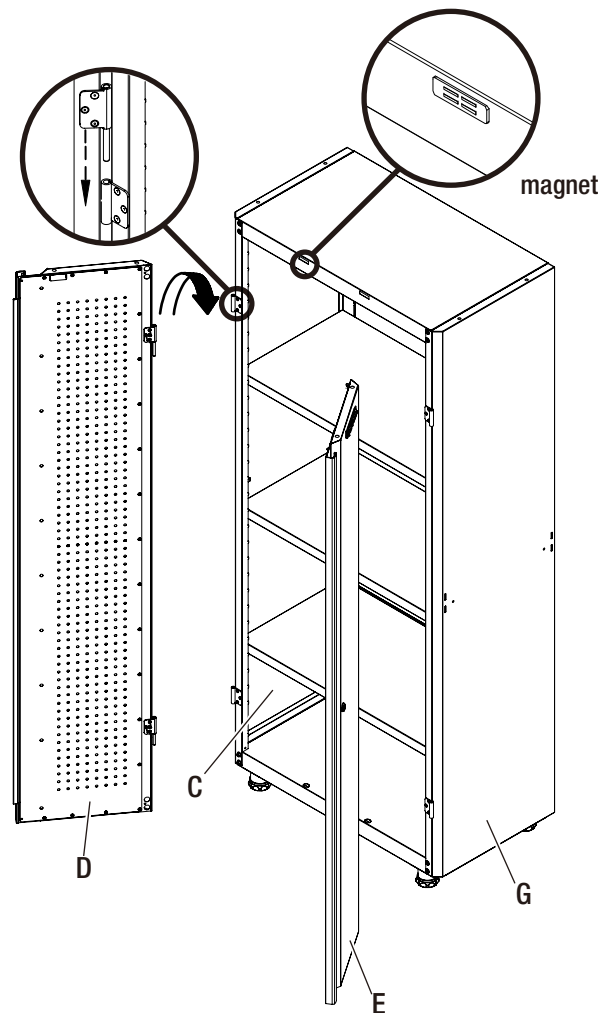
### 5 INSTALLING THE SHELVES

- Insert twelve shelf brackets (CC) into the slots on the side panels (C & G) at the desired heights. Make sure the four brackets (CC) for each shelf (B) are at the same height.
- Place the shelves (B) over the shelf brackets (CC).



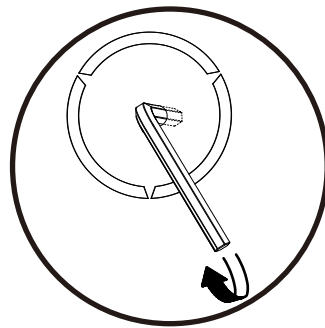
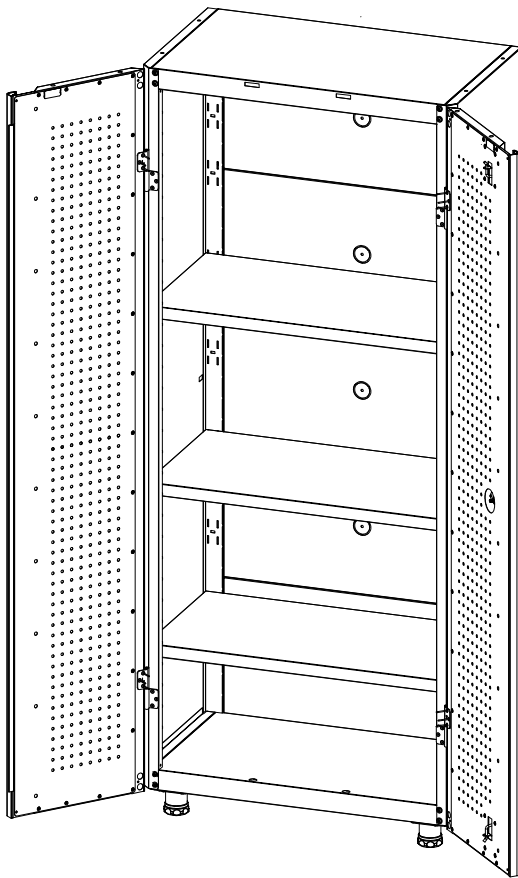
### 6 ATTACHING THE DOORS

- Insert the pins from the hinges on the left door (D) into the slots of the bottom hinges at the front of the left side panel (C).
- Repeat the same procedure to attach the right door (E).
- Close the doors to see if the doors can touch the magnets completely. If not, adjust the cabinet's top and side panels to make sure the shape of the cabinet is square and flush. Until the doors can catch the magnets completely, tighten the top and back panels' screws.

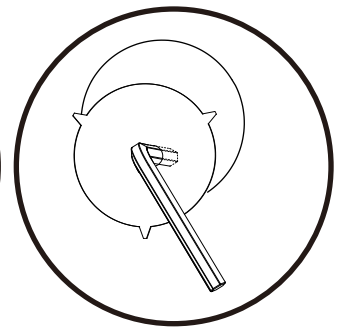


### 7 INSTALLING THE GROMMETS

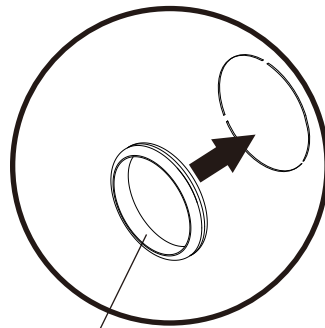
- Insert the short side of hex wrench by half at your desired cord access holes, and pry the knock-outs towards your side.
- Drop off the knock-outs carefully and install the grommets (GG).



1

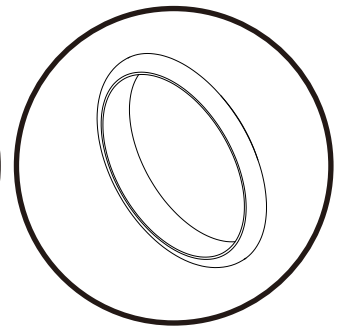


2



GG

3



4

After installation



## Assembly (continued)

### 8 CONNECTING THE CABINET TO THE WALL

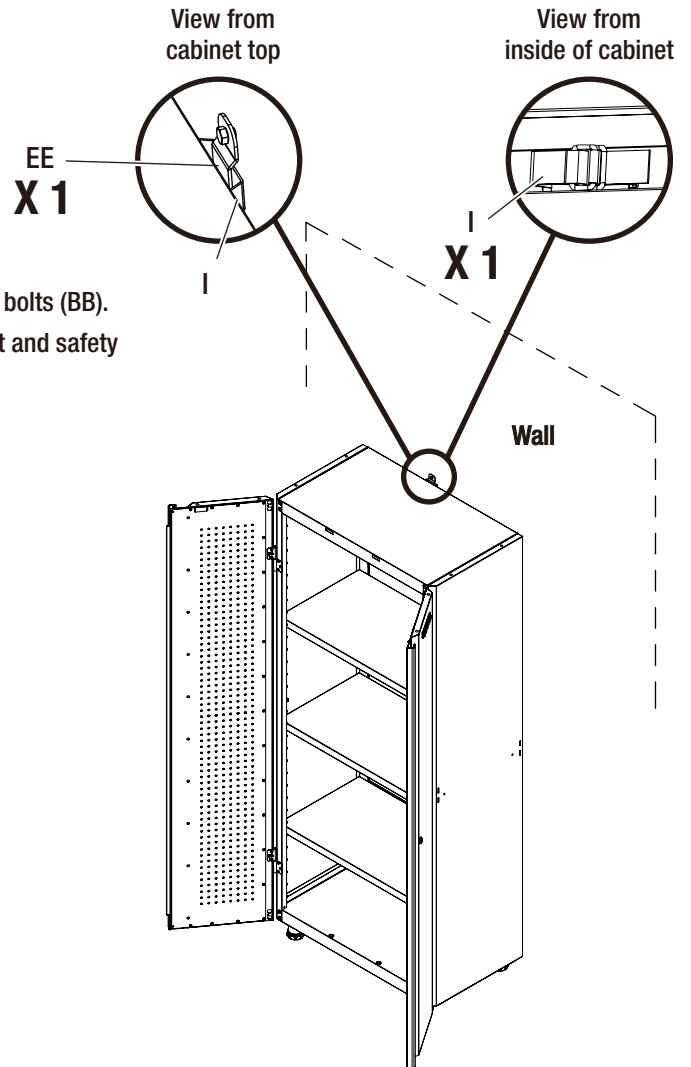
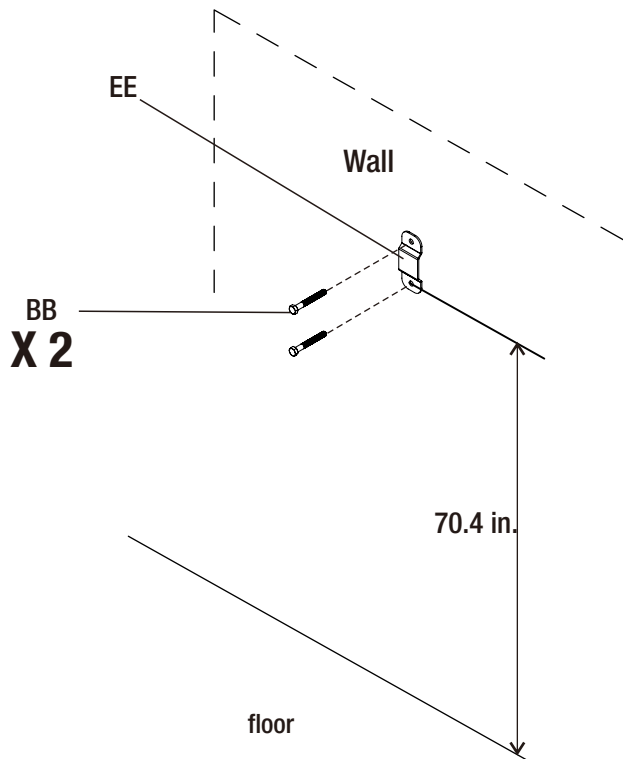


**CAUTION:** The M6 x 40 hex tapping bolts (BB) should be drilled into the stud of the wall.



**CAUTION:** The safety bracket's bottom M6 x 40 hex tapping bolt should be 70.4 in. from the floor.

- Install the safety bracket (EE) to the wall with two M6 x 40 hex tapping bolts (BB).
- Fasten the tall cabinet by using the safety strap (I) to tie the tall cabinet and safety bracket (EE) together. Tighten securely.



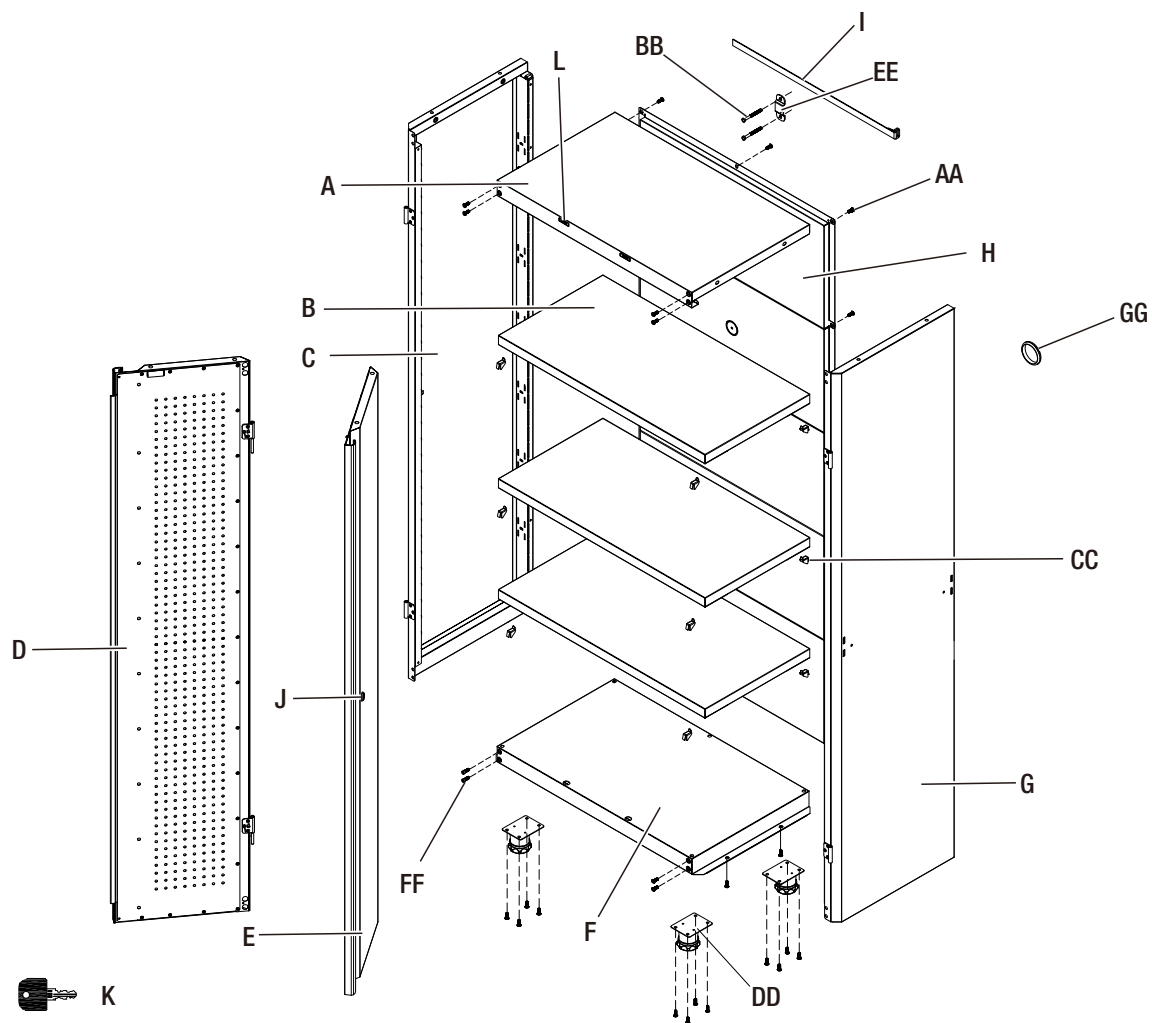
## Maintenance

- Check all the screws and nuts periodically for tightness. Tighten them when necessary.
- Check the safety strap periodically for tightness. Tighten it when necessary.

## Care and Cleaning

- Periodically clean the surfaces with a soft rag and water.
- Grease and oil can be removed with most standard cleaning fluids. For safety, use a nonflammable cleaning fluid.

# Service Parts



Part	Replacement Part	# Description	Quantity
K	304213	Key	2
A	120524	Top panel	1
B	241112	Shelf	3
C	120522	Left side panel	1
D	120526	Left door	1
E	120528	Right door	1
F	120525	Bottom panel	1
G	120523	Right side panel	1
H	241111	Back panel	5
I	314230	Safety strap	1

Part	Replacement Part	# Description	Quantity
J	304212	Lock	1
L	312033	Magnet	2
AA	320327	M6 x 16 hex socket head screw	44
BB	320328	M6 x 40 hex tapping bolt	2
CC	203902	Shelf bracket	12
DD	313066	Adjustable foot	4
EE	314230	Safety bracket	1
FF	320332	M6 x 16 hex socket head cap screw	2
GG	314027	Grommet	2



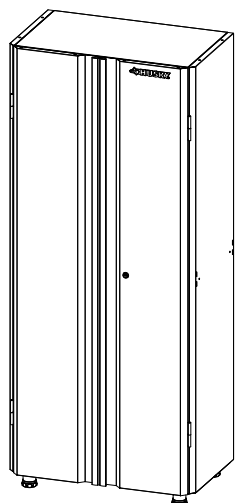
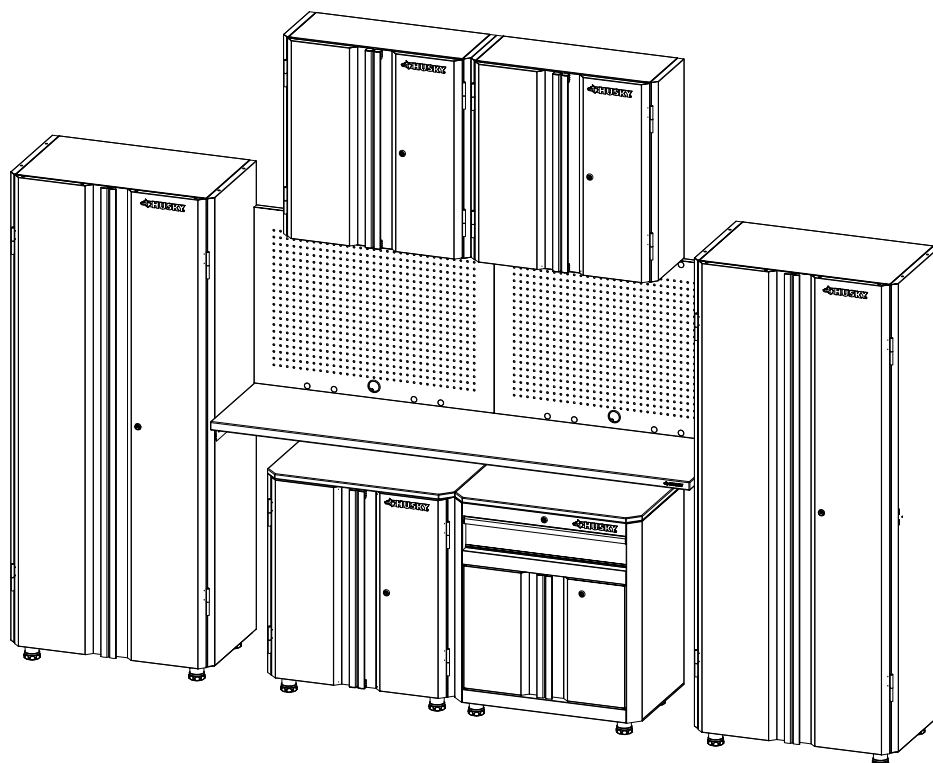
**NOTE:** Replacement keys may be ordered. Call 1-844-370-2288.

# Coordinating Products

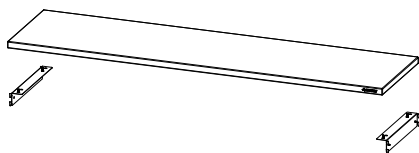
This product coordinates well with the units below to offer a best storage solution. They can be combined into various combinations to meet different storage requirements.



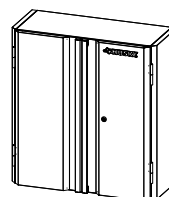
**NOTE:** You can choose caster set for base cabinets for convenient movement depends on your desire.



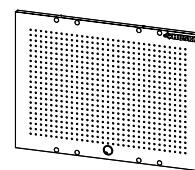
30 In. Storage Cabinet



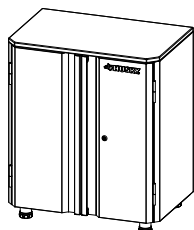
72 In. Solid Wood Work Surface



28 In. Wall Cabinet



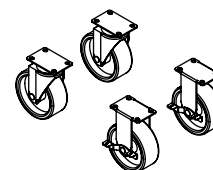
36 In. Pegboard



28 In. 2-Door Base Cabinet



28 In. 1-Drawer 2-Door Base Cabinet



5 In. x 2 In. Caster Set



Questions, problems, missing parts? Before returning to the store,  
call Husky Customer Service  
8 a.m.-5 p.m., EST, Monday-Friday

**1-888-HD-HUSKY**

**[WWW.HUSKYTOOLS.COM](http://WWW.HUSKYTOOLS.COM)**

Retain this manual for future use.