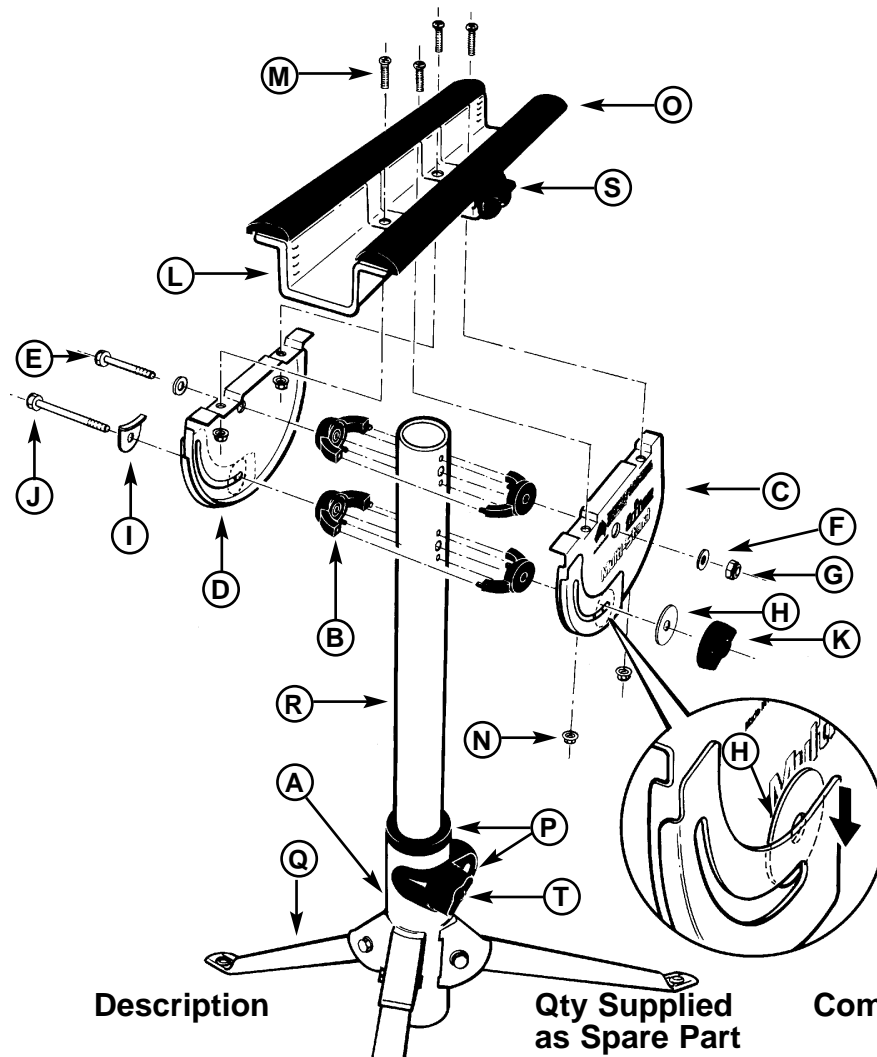


Multi-Stand - MSA200

Replaces Triton Roller Support Stand (ARA001)



| Diag. Ref. | Part No. | Description | Qty Supplied as Spare Part | Comments |
|------------------|----------|-----------------------------------|----------------------------|----------------------------------|
| - | PUA321 | Packing Carton | 1 | |
| - | PUA323 | Packing List | 1 | |
| - | PUA322 | Assembly Instructions | 1 | |
| - | MSA237 | Fastener Bag | 1 | |
| A | MSA205 | Main Body | 1 | |
| L | MSA225 | Head | 1 | |
| C | MSA234 | Front Quadrant Assembly | 1 | |
| D | MSA235 | Rear Quadrant Assembly | 1 | |
| O | MSA228 | Polyethylene Skid | 1 | |
| P | MSA238 | Body Clamp Assembly | 1 | Includes 8mm round knob |
| Q | MSA207 | Leg | 1 | |
| R | MSA214 | Stem | 1 | |
| S | MSA338 | Head Clamp Assembly | 1 | Includes 6mm round knob |
| FASTENERS | | | | |
| B | MSA222 | Saddle | 1 | |
| M | - | Pan Head Bolt (M6 x 10mm) | 4 | } Only available in Fastener Bag |
| N | - | Flange Nut (M6mm) | 4 | |
| J | - | Hex Bolt (M6 x 80mm) | 1 | |
| K | CMA040 | Round Knob & M6 Nut | 1 | |
| T | CMA043 | Large Round Knob & special M6 Nut | 1 | |
| F | - | Washer (M6) | 2 | } Only available in Fastener Bag |
| E | - | Hex Bolt (M6 x 60mm) | 1 | |
| G | - | Nyloc Nut (M6) | 1 | |
| H | - | Large Washer (1/4" x 1 1/4") | 3 | |
| I | MSA236 | Quadrant Washer (special) | 1 | |

Specifications:

Packed weight: 6kg **Pack Size:** 690 x 160 x 140mm **Volume:** 0.016m³ **Tube size:** 31.8 mild steel
Paint: Epoxy powder coat (oven cured) **Colour:** Telecom Gold