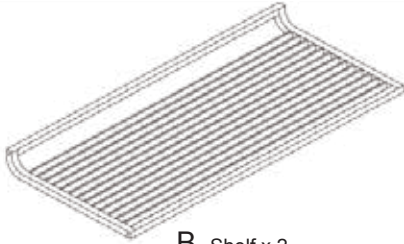


2-Tier Bamboo Shoe Rack

Package Contents



A. Side Stand x 2



B. Shelf x 2

NOTE: Part C is required only if you are stacking second unit.



C. Wood Dowel x 4

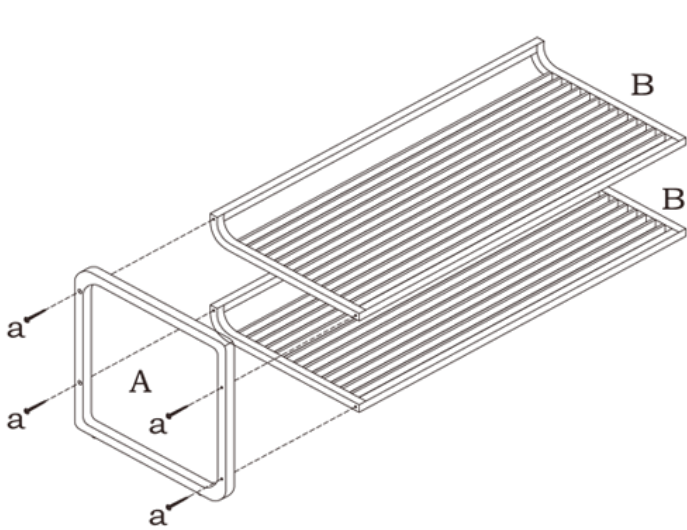


a. Screws x 8

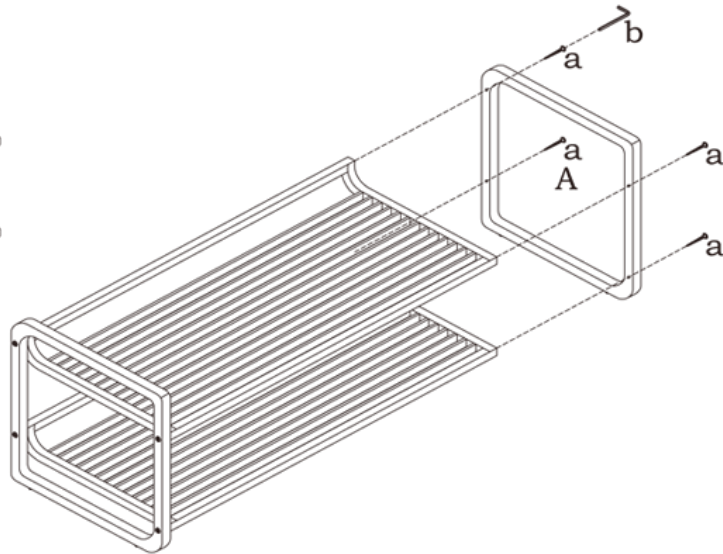


b. L tool x 1

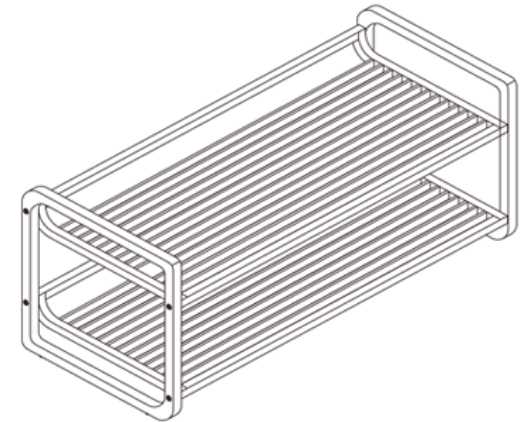
Assembly Instructions



STEP 1



STEP 2



COMPLETED

Safety Information

1. Two adults are recommended for ease of assembly. Use care when handling.
2. Assembly recommended on a soft surface, such as carpet, to avoid scratching flooring finish.
3. Discard the black circular plastic pieces. These are used to separate the shelves for shipping purpose.



CAUTION: Do not allow children to climb or play in or around the shelves.