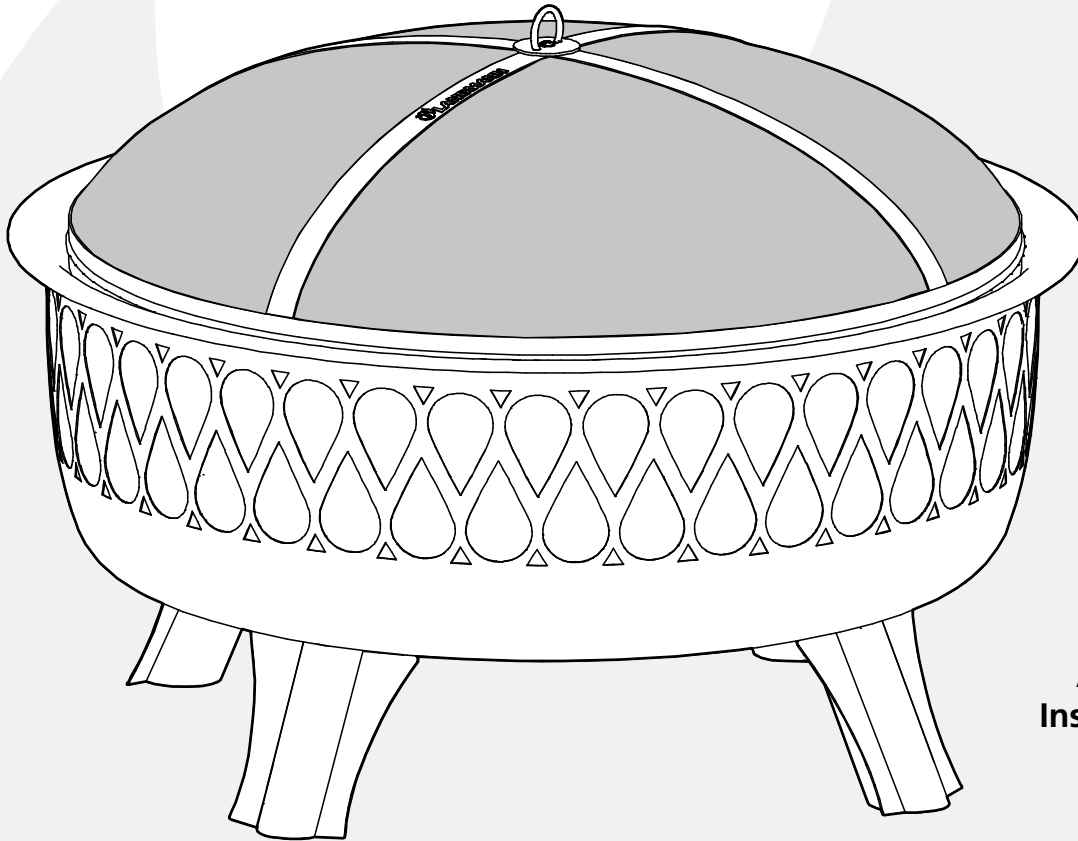




LANDMANN[®]
Magnafire



**Assembly and Use
Instructions for Model:
25994
25995**

VER. 2, 5/21/2019



**PLEASE READ ALL RULES FOR SAFE OPERATION
AND HELPFUL HINTS BEFORE USING.**



WARNING: FUELS USED IN WOOD OR CHARCOAL BURNING APPLIANCES, AND THE PRODUCTS OF COMBUSTION OF SUCH FUELS, CAN EXPOSE YOU TO CHEMICALS INCLUDING CARBON BLACK, WHICH IS KNOWN TO THE STATE OF CALIFORNIA TO CAUSE CANCER, AND CARBON MONOXIDE, WHICH IS KNOWN TO THE STATE OF CALIFORNIA TO CAUSE BIRTH DEFECTS OR OTHER REPRODUCTIVE HARM.

For more information go to: www.P65Warnings.ca.gov



**READ FIRST! RULES FOR THE
MAGNAFIRE OUTDOOR FIRE PIT
SAFE OPERATION.**

- THIS FIRE PIT IS FOR OUTDOOR USE ONLY!
- USE ONLY ON BRICK, CONCRETE, STONE OR OTHER MASONRY SURFACES!
- DO NOT USE ON LAWNS, WOODEN DECKS, COMPOSITE DECKS, ASPHALT OR ANY COMBUSTIBLE SURFACE.
- KEEP THE FIRE PIT A MINIMUM OF 10 FT. AWAY FROM BUILDINGS, STRUCTURES, ANY FLAMMABLE ITEMS AND VEHICLES.
- NEVER USE UNDER LOW HANGING TREE BRANCHES, TRELLIS, OVERHANGS OF ANY KIND INCLUDING COVERED PORCHES.
- **WARNING!** NEVER USE GASOLINE, ALCOHOL OR VOLATILE FLUIDS TO START OR RESTART FIRES.
- DO NOT USE THE OUTDOOR FIRE PIT WHILE IMPAIRED BY ALCOHOL OR ANY OTHER SUBSTANCE.
- FOR LONGER PRODUCT LIFE, KEEP FIRES TO A RESPECTABLE SIZE, DO NOT OVERLOAD.
- DO NOT THROW FIREWOOD INTO THE FIRE PIT, ADD FIREWOOD BY CAREFULLY PLACING INTO THE FIREBOWL.
- THE OUTDOOR FIRE PIT IS FOR ADULT USE ONLY.
- ADULTS NEED TO KEEP WATCH AND SUPERVISE CHILDREN AND PETS WHEN AROUND THE FIRE PIT DURING USE.
- AVOID BEHAVIOR THAT COULD CAUSE THE FIRE PIT TO TIP OVER.
- KEEP LOOSE CLOTHING AWAY.
- DO NOT LEAVE UNATTENDED AT ANY TIME WHILE IN USE.
- DO NOT MOVE THE FIRE PIT DURING USE.
- DO NOT USE IN WINDY CONDITIONS!
- DO NOT OVERLOAD OR USE FOR BURNING GARBAGE.
- USE CAUTION WHEN TENDING THE FIRE, AS SURFACES WILL BECOME VERY HOT WHILE IN USE.
- ALWAYS USE THE SPARK GUARD DURING USE.
- USE MITTENS OR GLOVES WITH THE POKER TO REMOVE THE SPARK GUARD, THE SPARK GUARD WILL BECOME VERY HOT!
- USE CAUTION WHEN REMOVING THE SPARK GUARD, AS HOT STEAM OR A FLARE UP COULD CAUSE BURNS.
- BEFORE EACH USE MAKE SURE THE FIRE PIT IS IN GOOD WORKING CONDITION.
- USE CAUTION AFTER THE FIRE HAS BEEN EXTINGUISHED, SURFACES WILL REMAIN HOT FOR SOME TIME.
- THE FIRE PIT MUST BE COMPLETELY COOLED OFF AND ALL EMBERS MUST BE EXTINGUISHED BEFORE ANY COVER CAN BE USED.
- CHECK LOCAL LAWS AND CODES BEFORE USING.



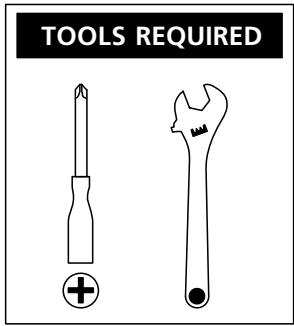
Magnafire



WARNING!

CARBON MONOXIDE HAZARD!

BURNING WOOD OR CHARCOAL PRODUCES CARBON MONOXIDE, WHICH HAS NO ODOR AND CAN CAUSE DEATH IF BURNED IN ENCLOSED AREAS. NEVER BURN WOOD OR CHARCOAL INSIDE HOMES, VEHICLES, TENTS OR ANY OTHER ENCLOSED AREAS.

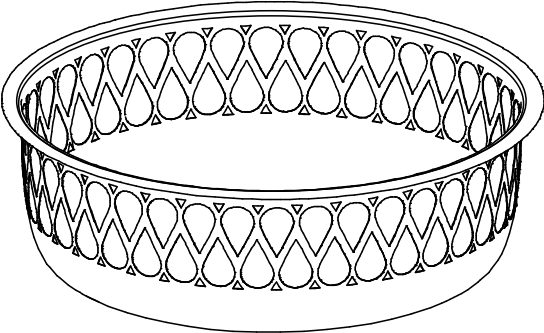


A Phillips or plain screwdriver and an adjustable wrench are needed for assembly.

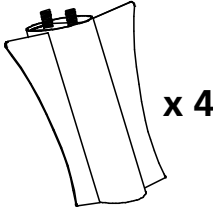
Assembly time: 10 minutes

PARTS LIST

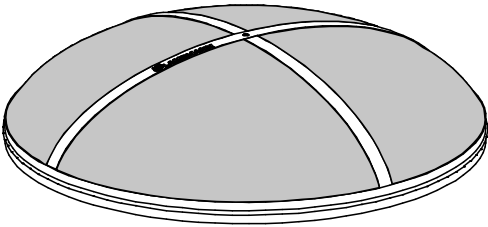
When unpacking the Magnafire from the carton, make sure you find and become familiar with all the parts listed below. Use caution as some parts may have sharp edges.



A
(1) FIREBOWL



E
(4) LEGS



B
(1) SPARK GUARD

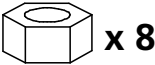


T
(1) SPARK GUARD HOOK



F
(1) POKER

HARDWARE LIST



AA
(8) M8 HEXNUTS FOR LEG
PRE-ASSEMBLED TO THE LEG



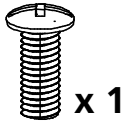
BB
(8) FLAT WASHER FOR LEG
PRE-ASSEMBLED TO THE LEG



FF
(1) M6 FLANGE HEXNUT



GG
(1) SPARK GUARD WASHER



HH
(1) M6 x 16MM BOLT

MAGNAFIRE ASSEMBLY INSTRUCTIONS

STEP 1

ASSEMBLE THE LEGS

Take each of the (4) legs [E] and assemble them to the firebowl [A] as shown using (8) washers [BB] and (8) hexnuts [AA]. Tighten securely with adjustable wrench or with 14MM socket.

STEP 2

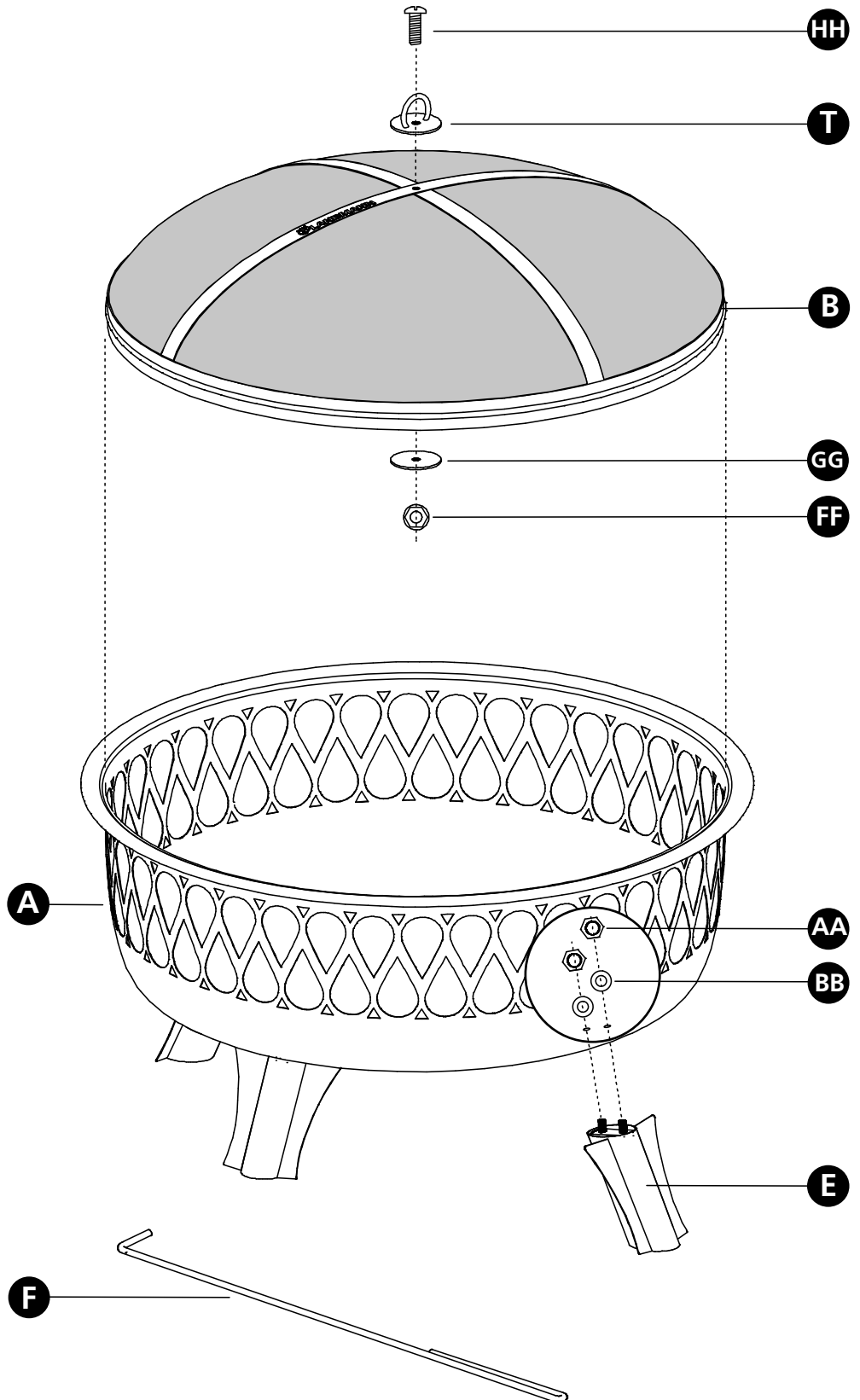
ASSEMBLE THE SPARK GUARD HOOK

Assemble the spark guard hook [T] to the spark guard [B] using (1) 16MM bolt [HH], (1) washer [GG] and (1) hexnut [FF]. Tighten securely.

STEP 3

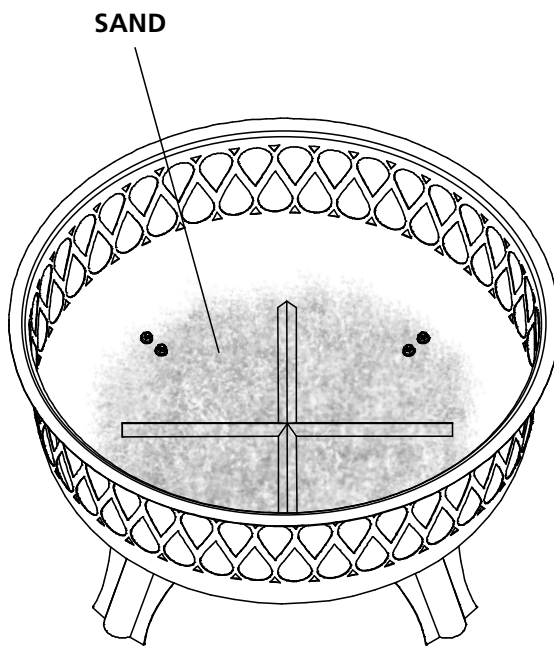
PLACE THE SPARK GUARD

Place the assembled spark guard [B] on top of the firebowl.



DO NOT RETURN PRODUCT TO THE STORE. IF YOU HAVE QUESTIONS OR HAVE TROUBLE WITH ASSEMBLY, PLEASE CALL 1-800-321-3473 FOR ASSISTANCE.

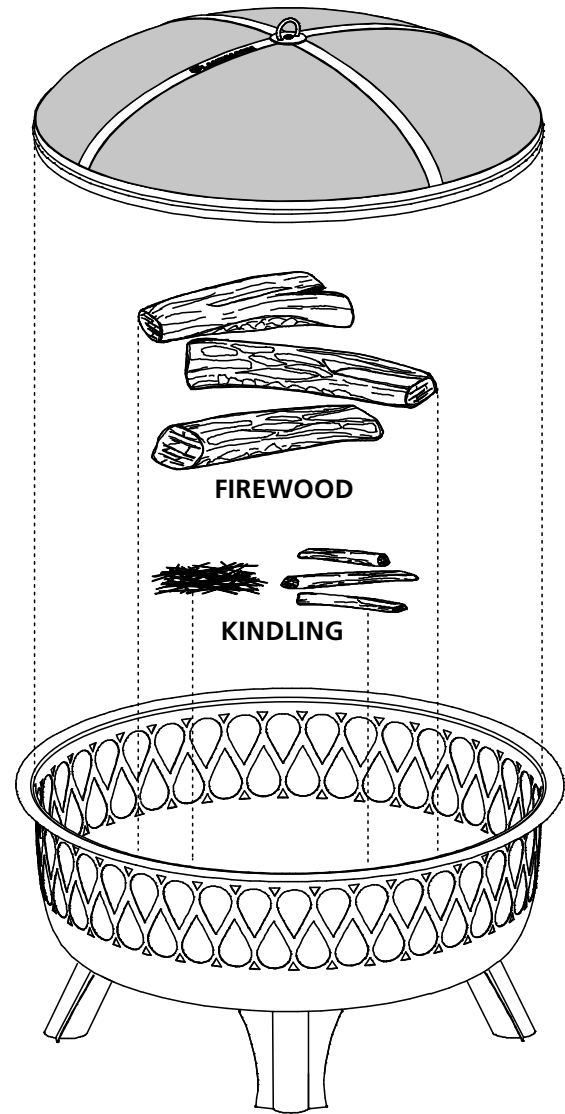
MAGNAFIRE USE INSTRUCTIONS



STEP
1

ADD SAND

Before using, add a 1-1.5 in. layer of sand or about 10 lbs. (size wise, its the same amount as two 5 lb. bags of sugar) to the bottom of the firebowl. This will help neutralize the corrosive nature of the ashes and help radiate the heat upwards.



STEP
2

ADD FUEL

Add up to 10 lbs. of kindling and firewood to the firebowl. Use paper or firestarter under the kindling and light with a match. Add more firewood as needed. The capacity of the fire pit is 10 lbs. of fuel.



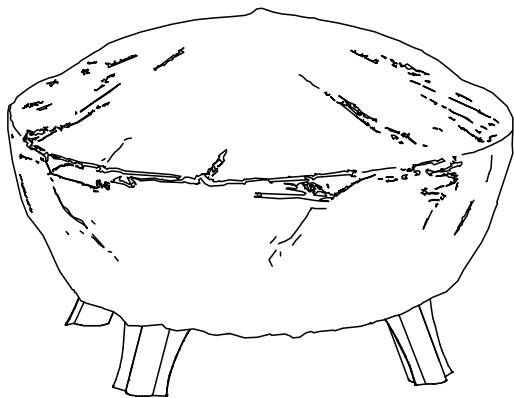
HELPFUL HINTS:

- KEEP THE FIRE PIT OUT OF THE WEATHER AND ELEMENTS.
- STORE THE FIRE PIT IN A DRY LOCATION OUT OF THE WEATHER.
- DO NOT DUMP ASHES WHERE A FIRE CAN BE STARTED.
- DISPOSE OF ASHES IN PROPER RECEPTACLE ONLY AFTER ASHES HAVE COOLED.
- USE ANY COVER ONLY AFTER THE FIRE PIT IS COMPLETELY COOL TO THE TOUCH.
- STORE THE FIRE PIT IN AN AREA SO THAT IT WON'T BE PRONE TO TIPPING OVER AND BEING A HAZARD.

Congratulations on your purchase of the Magnafire Fire Pit! At Landmann USA, we strive to provide you with an easy to use, easy to assemble product. However, in the unlikely event your package should have a missing or defective part, please contact us at:
customerservice@landmann-usa.com
-OR-
1-800-321-3473 M-F 8-5 ET.
Proof of purchase may be required. Thank you!

AVAILABLE ACCESSORIES

These custom made accessories are made just for the Magnafire Fire Pit.

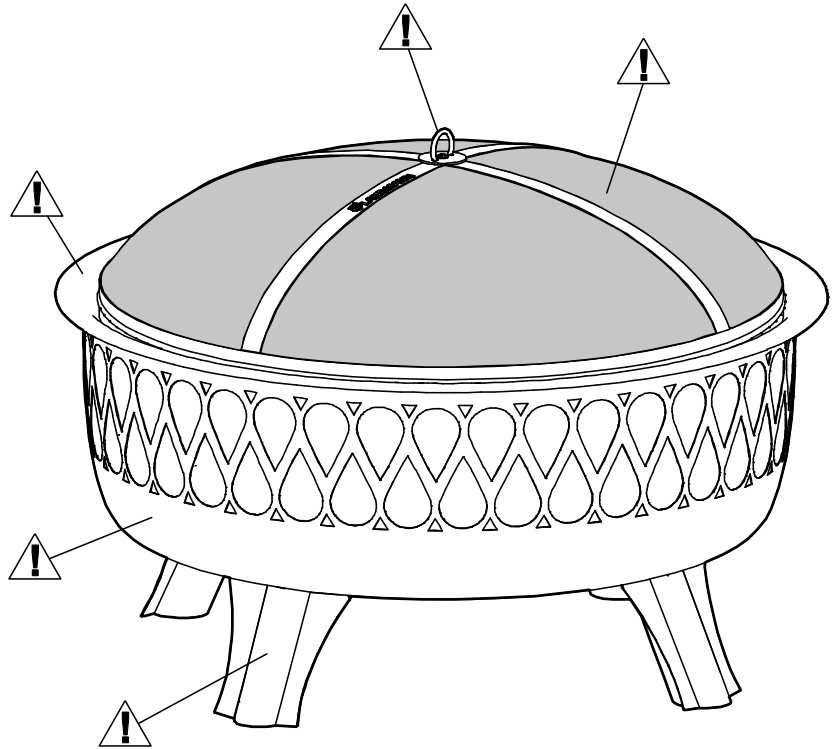


COVER
MODEL 29300

Please visit our website at:
www.landmann.com/us
-OR-
Call customer service toll free at:
1-800-321-3473

Landmann® Limited
Distributed by Landmann® USA
Fairburn, GA 30213
www.landmann.com/us
Made in China
© 2019 Landmann® USA

Landmann® and the Landmann Firebird are registered trademarks of Landmann USA.
Magnafire™




**ALL SURFACES BECOME
HOT DURING USE!**

CLEANING

For best results, the fire pit should be cleaned after every use. Make sure fire pit is cool and all embers are extinguished before cleaning.

If any remaining firewood needs to be removed, use poker or shovel to remove. Any sand can be reused.

Dispose of ashes in proper receptacle only after ashes have cooled. Do not dump ashes where a fire can be started.

If the fire pit needs to be cleaned, use a mild soap and water with a soft rag. Dry thoroughly to prevent rust.

Occasionally, the fire pit finish will need to be refinished. Use a high quality, high heat paint to renew the finish.

