

GDT545PGJ/PSJ

GE® Dishwasher with Hidden Controls

DIMENSIONS AND INSTALLATION INFORMATION (IN INCHES)

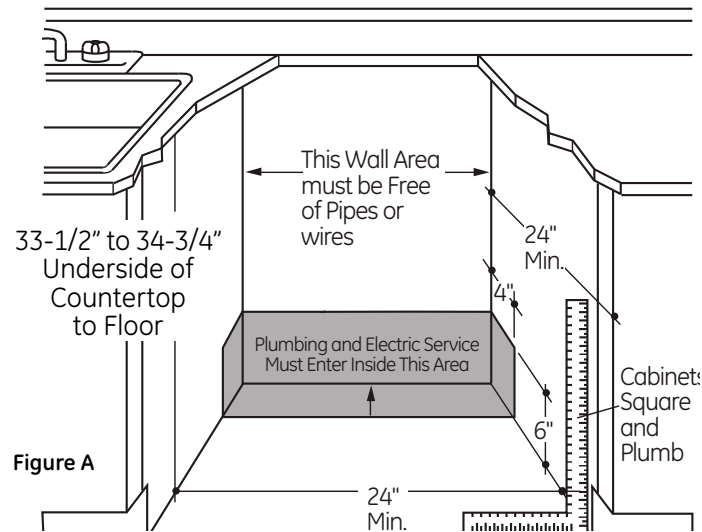
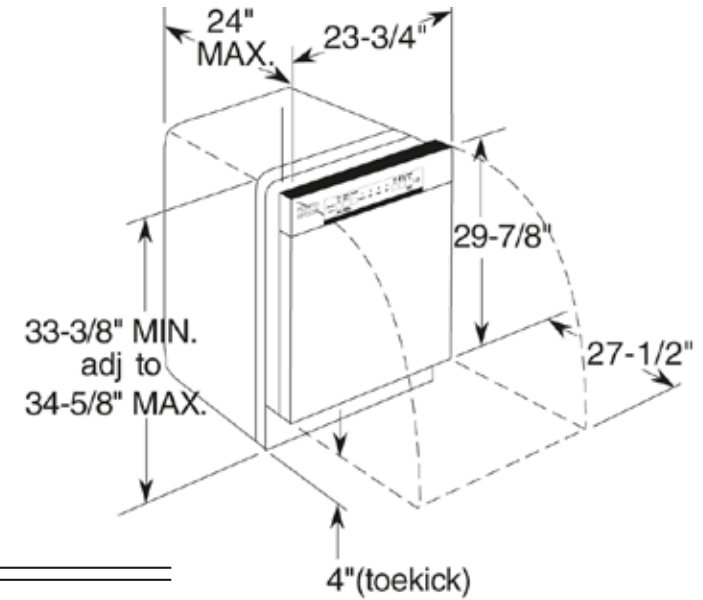
ELECTRICAL RATING

Voltage AC	120
Hertz.....	60
Total connected load amperage.....	7.1
Calrod® heater watts	415/800

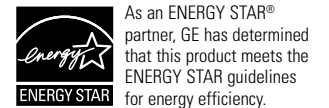
For use on adequately wired 120-volt, 15-amp circuit having 2-wire service with a separate ground wire. This appliance must be grounded for safe operation.

INSTALLATION INFORMATION:

Before installing, consult installation instructions packed with product for current dimensional data.



For answers to your Monogram,® GE Profile™ or GE® appliance questions, visit our website at geappliances.com or call GE Answer Center® service, 800.626.2000.



GDT545PGJ/PSJ

GE® Dishwasher with Hidden Controls

FEATURES AND BENEFITS

GE's most advanced wash system - Consistently clean and dry dishes are ensured with GE's most advanced wash system, featuring 65% more wash power.*

Piranha™ hard food disposer with removable filter - To ensure consistently clean items, this stainless steel blade rotates at 3,600 RPM to pulverize food particles and helps to prevent large particles from clogging the wash arms

Steam PreWash - Loosens tough soils before any cycle, virtually eliminating the need for soaking or pre-rinsing dishes

SpaceMaker® silverware basket - Enjoy table-ready silverware and loading flexibility with this unique basket that can be placed on the rack or onto the door

51 dBA with status light on door - A dishwasher this quiet has a status light to let you know it is running

Wash zones - Wash a true half-load in either the upper or lower rack without sacrificing options and cycles available on a full wash

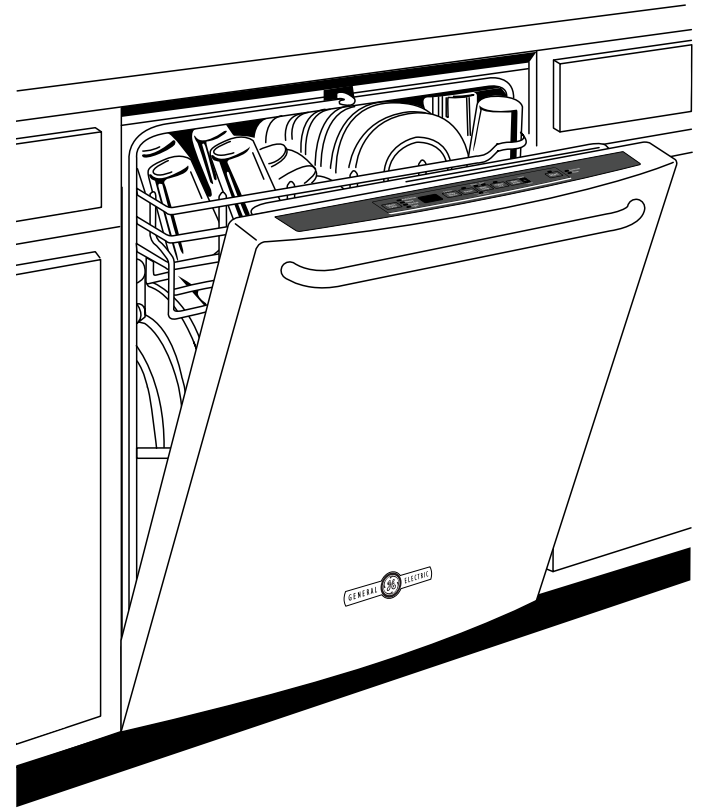
Dedicated Silverware Jets - Get table-ready silverware thanks to powerful jets that focus on silverware baskets in multiple locations

Model GDT545PSJSS - Stainless steel

Model GDT545PGJWW - White on white

Model GDT545PGJBB - Black on black

*Wash power delivered to each rack. Compared to previous GE models.



GE APPLIANCES

For answers to your Monogram,® GE Profile™ or GE® appliance questions, visit our website at geappliances.com or call GE Answer Center® service, 800.626.2000.