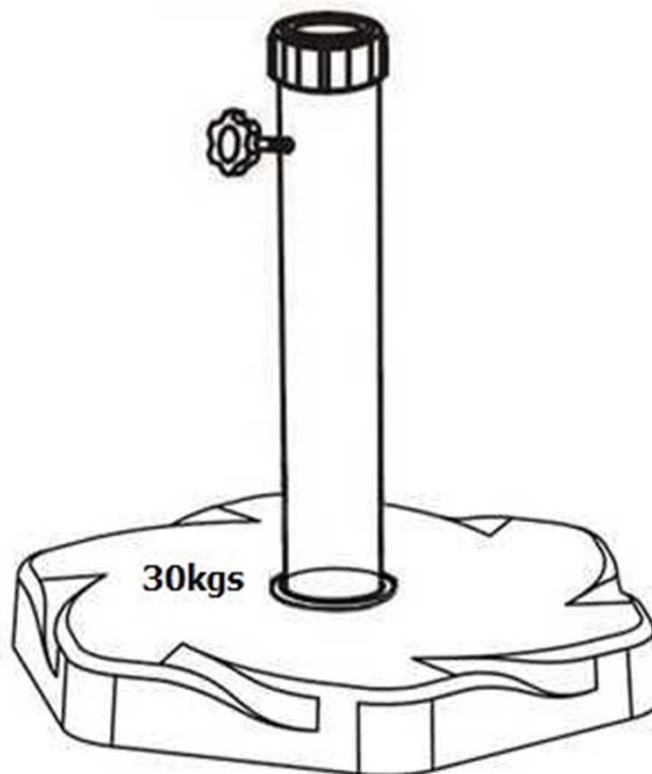


Assembly Instructions

CAUTION : You must read this before you proceed

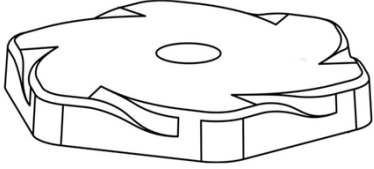

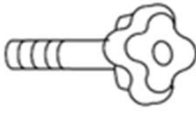



Recommended Umbrella Diameter : 80inches to 86inches

Umbrella Base



Umbrella Base Weight : 30 kgs

Parts List

Label	Picture	Description	QTY
A		Umbrella Base	1pc
B		Support Pole	1pc
C		Adjustable Screw	1pc
D		Cap	1pc
E		Adapter for 38mm pole	1pc
F		Adapter for 48mm pole	1pc

Assembly Preparation

Before Beginning Assembly:



- Read instructions, cover to cover-



- Have 2 adults on hand for assembly-



- Do not assemble on flooring or carpet-



- Assemble on a clean non-marring surface (packing foam)-



- Save all packaging until finished-

WARNING : AVOID CHOKING / CHOKING HAZARDS : Do not allow children to play with plastic wraps and / any small parts in this package.

Notice: As a safety precaution, when umbrella is not in use please turn down umbrella.

Remove Umbrella from this base and store in safe location

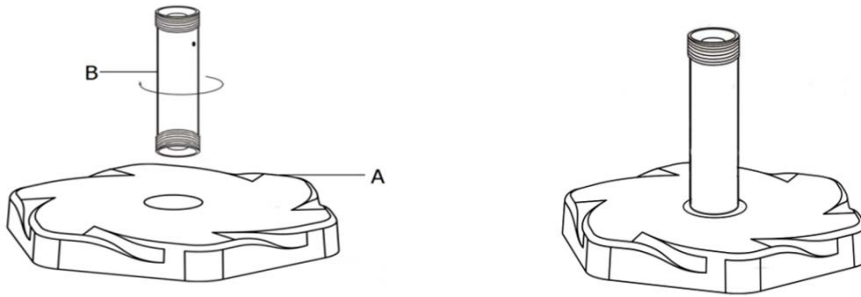
This base is NOT suited and NOT recommended to be used as a free-standing Umbrella Base.

This base must be used under a matching table and matching Umbrella size.

ATTENTION : This Umbrella Base is exclusively recommended to be used together under a table with the matching umbrella with diameter of 80inches to 86inches. The matching Support Pole diameter : 38mm - 48mm.

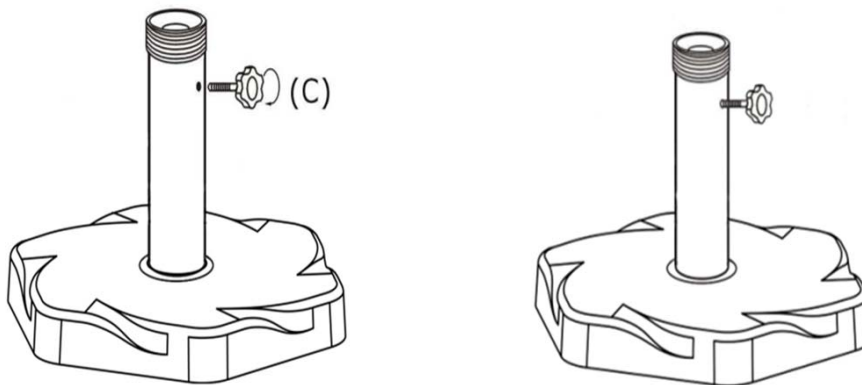
Assembly Steps

Step 1



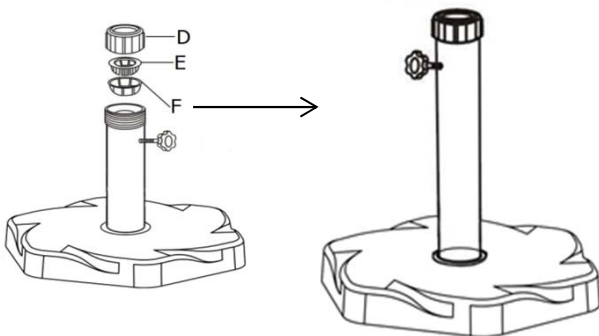
Screw in the Support Pole (B) onto the base.

Step 2

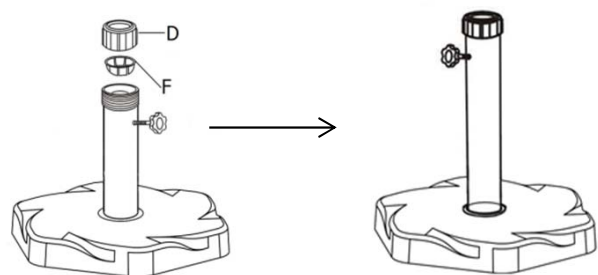


Screw the Adjustable Screw (c) into the Support Pole(B).

Step 3


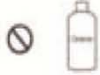









For the Umbrella Pole with diameter as 38mm, use Dia. 38mm Adapter (E) & Dia. 48mm Adapter (F) added together, insert the Dia. 48mm Adapter (F) into the Support Pole (B) first, and then put the Dia. 38mm Adapter (E) onto the Dia. 48mm Adapter(F), Turn the Cap(D) onto the Support Pole(B) to hold the Adapters in place.
The Umbrella Base is fully assembled and ready for use.



For the Umbrella Pole with diameter as 48mm, use the Dia. 48mm Adapter (F) only, insert the Dia. 48mm Adapter (F) into the Support Pole (B), Turn the Cap(D) onto the Support Pole(B) to hold the Adapters in place.
The Umbrella Base is fully assembled and ready for use.

Care & Maintenance

-  ● Do not put **HOT** items directly on furniture surface.
 -  ● Do not clean furniture with **HARSH** cleansers or polish.
 -  ● To prolong product lifetime, **AVOID** placing furniture under direct sunlight.
 -  ● Do not place furniture near **heating or cooling** vents.
 -  ● Do not write on furniture without a padded barrier to protect the surface.
 -  ● To prolong the product lifetime, avoid extended and lengthy exposure to rain and sunshine. Where possible, place under covers and or patio and or awnings.
 -  ● For residential use only. Not for commercial use.
 -  ● Stains may be removed with mild soap solution and damp cloth.
-
-  ● Dust and pick-up spills using a clean, non-colored, lint-free cloth.