

Thank you for purchasing an LG microwave oven.

Please record the model number and serial number of this unit for future reference. We also suggest you record the details of your contact with LG (LG Electronics U.S.A., Inc.) concerning this unit.

Model No: _____

Serial No: _____

Dealer: _____

Dealer Phone No: _____

Staple your receipt here to prove your retail purchase.

Customer Relations
LG Electronics U.S.A., Inc.
Service Division Bldg. #3
201 James Record Rd.
Huntsville, AL 35824-0126

PRECAUTIONS TO AVOID POSSIBLE EXPOSURE TO EXCESSIVE MICROWAVE ENERGY...

- (a) Do not attempt to operate this oven with the door open since open-door operation can result in harmful exposure to microwave energy. It is important not to defeat or tamper with the safety interlocks.
- (b) Do not place any object between the oven front face and the door or allow soil or cleaner residue to accumulate on sealing surfaces.
- (c) Do not operate the oven if it is damaged. It is particularly important that the oven door closes properly and that there is no damage to the:
 - (1) door (bent),
 - (2) hinges and latches (broken or loosened),
 - (3) door seals and sealing surfaces.
- (d) The oven should not be adjusted or repaired by anyone except properly qualified service personnel.

TABLE OF CONTENTS

PRECAUTIONS TO AVOID POSSIBLE EXPOSURE TO EXCESSIVE MICROWAVE ENERGY.....	2	Soften Table	26
SAFETY INSTRUCTIONS.....	4	Melt	26
PRODUCT OVERVIEW.....	6	Melt Table	26
Location of Model Number.....	6	Speed Auto Combination	27
Oven Specifications	6	Speed Auto Combination Chart	27
Electrical Requirements.....	6	Auto Defrost	28
Grounding Instructions	6	Weight Conversion Table	28
Microwave Oven Features.....	7	Operating Tips	28
Control Panel Features.....	8	Auto Defrost Table	29
MICROWAVE COOKING TIPS	10	Defrosting Tips	31
OPERATION	15	COOKING GUIDE.....	32
Learn About Your Microwave Oven.....	15	Convection Baking Guidelines	32
Clock.....	15	Meat Roasting Guidelines for Convection Cooking	34
Child Lock	15	Combination Roast Cooking Guide.....	35
Timer.....	16	Combination Bake Cooking Guide	36
Custom Cook	16	Heating/Reheating Guide.....	37
Vent Fan	16	Fresh Vegetable Guide	38
Vent Fan Auto Time Set	16	SMART FEATURES.....	39
Turntable On/Off	17	Before Using Tag On	39
Light On/Off.....	17	Using the Tag On Function	39
Cooking at High Power Level	17	Using Tag On with Apps	40
Custom Set.....	17	MAINTENANCE.....	41
Cooking at Lower Power Levels	18	Caring for Your Microwave Oven	41
Cooking With More Than One Cook Cycle.....	18	Cleaning the Grease Filters	42
Cooking Guide for Lower Power Levels.....	19	Charcoal Filter Replacement.....	42
Sensor Operating Instructions.....	20	Oven Light Replacement.....	43
Sensor Cooking Guide	20	Cooktop/Countertop Light Replacement	43
Sensor Reheat	20	Microwave Utensil Guide	44
Sensor Cook	20	TROUBLESHOOTING.....	45
Sensor Popcorn	20	Before Calling for Service	45
Sensor Reheat Table	21	Frequently Asked Questions	45
Sensor Cook Table	21	SMART DIAGNOSIS.....	46
Tips for Convection Cooking	22	WARRANTY	Inside Back Cover
Convection	23		
Tips for Combination Cooking.....	24		
Helpful Hints for Combination Cooking	24		
Combination Roast.....	24		
Auto Cook	25		
Auto Cook Table	25		
Soften	26		

SAFETY INSTRUCTIONS

The safety instructions below will tell you how to use your oven and avoid harm to yourself or damage to your oven.

⚠ WARNING - To reduce the risk of burns, electric shock, fire, injury to persons, or exposure to excessive microwave energy:

- **Read all the instructions before using your oven.**
- **As with any appliance, close supervision is necessary when used by children.**
- Read and follow the specific **PRECAUTIONS TO AVOID POSSIBLE EXPOSURE TO EXCESSIVE MICROWAVE ENERGY** found on page 2.
- **Do not use** corrosive chemicals or vapors, such as sulfide and chloride, in this appliance. This type of oven is specifically designed to heat, cook, or dry food. It is not designed for industrial or laboratory use.
- **Do not store** this appliance outdoors. Do not use this product near water - for example, near a kitchen sink, in a wet basement, near a swimming pool, or similar location.
- **Do not use** the cavity for storage purposes. Do not leave paper products, cooking utensils, or food in the cavity when not in use.
- **Clean Ventilating Hoods Frequently – Grease should not be allowed to accumulate on hood or filter.**
- Use care when cleaning the vent hood filters. Corrosive cleaning agents, such as lye-based oven cleaners, may damage the filters.
- **Do not tamper with the built-in safety switches on the oven door.** The oven has several built-in safety switches to make sure the power is off when the door is open.
- When flaming foods under the hood, turn the fan on.
- Suitable for use above both gas and electric cooking equipment 36 inches wide or less.
- **Do not use this oven for commercial purposes.** It is made for household use only.
- **When cleaning surfaces of door and oven that come together on closing the door, use only mild, nonabrasive soaps, or detergents applied with a sponge or soft cloth.**
- **If your oven is dropped or damaged,** have it thoroughly checked by a qualified service technician before using it again.
- **To reduce the risk of fire in the oven cavity:**
 - **Do not overcook food.** Carefully attend to the microwave oven when paper, plastic or other combustible materials are placed inside the oven to facilitate cooking.
 - **Do not use the cavity for storage purposes.** Do not leave paper products, cooking utensils or food in the cavity when not in use.
 - Remove wire twist-ties from paper or plastic bags before placing bags in oven.
- **If materials inside the oven ignite:**
 - **Keep oven door closed**
 - **Turn the oven off**
 - **Disconnect the power cord or shut off power at the fuse or circuit breaker panel**
- **To avoid electric shock:**
 - **This appliance must be grounded.** Connect only to a properly grounded outlet. See the electrical **GROUNDING INSTRUCTIONS** on page 6.
 - **Do not operate this appliance if it has a damaged cord or plug,** if it is not working properly or if it has been damaged or dropped.
 - **Do not immerse the electrical cord or plug in water.**
 - **Keep cord away from heated surfaces.**
 - **Do not let cord hang over edge of table or counter.**
- **Take care when the door is opened to avoid injury.**

SAFETY INSTRUCTIONS

- **To avoid improperly cooking some foods.**
 - **Do not heat any types of baby bottles or baby food.** Uneven heating may occur and possibly cause personal injury.
 - **Do not heat small-necked containers**, such as syrup bottles.
 - **Do not deep-fat fry in your microwave oven.**
 - **Do not attempt home canning in your microwave oven.**
 - **Some products such as whole eggs and sealed containers – for example, closed glass jars – are able to explode and should not be heated in this oven.**
- Do not cover or block any openings on the appliance.
- Use this appliance only for its intended use as described in the manual.
- Do not run the oven empty.
- Secure power cord in the cabinet above the oven.
- **Preserve the oven floor:**
 - **Do not heat the oven floor excessively.**
 - **Do not** allow the gray film on special microwave-cooking packages to touch the oven floor. Put the package on a microwavable dish.
 - **Do not** cook anything directly on the oven floor or turntable. Use a microwavable dish.
- Keep a browning dish at least $\frac{3}{16}$ inch above floor. Carefully read and follow the instructions for the browning dish. If you use a browning dish incorrectly, you could damage the oven floor.
- Install or locate this appliance only in accordance with the provided installation instructions.
- This appliance should be serviced only by qualified service personnel. Contact the nearest authorized service facility for examination, repair, or adjustment.
- Liquids, such as water, coffee, or tea can be overheated beyond the boiling point without appearing to be boiling due to surface tension of the liquid. Visible bubbling or boiling when the container is removed from the microwave oven is not always present.

THIS COULD RESULT IN VERY HOT LIQUIDS SUDDENLY BOILING OVER WHEN THE CONTAINER IS DISTURBED OR A SPOON OR OTHER UTENSIL IS INSERTED INTO THE LIQUID.

- To reduce the risk of injury to persons;
- Do not overheat the liquid.
 - Stir the liquid both before and halfway through heating it.
 - Do not use straight-sided containers with narrow necks.
 - After heating, allow the container to stand in the microwave oven for a short time before removing the container.
 - Use extreme care when inserting a spoon or other utensil into the container.

SAVE THESE INSTRUCTIONS

FEDERAL COMMUNICATIONS COMMISSION RADIO FREQUENCY INTERFERENCE STATEMENT (U.S.A. ONLY)


WARNING:

This equipment generates and uses ISM frequency energy and if not installed and used properly, that is in strict accordance with the manufacturer's instructions, may cause interference to radio and television reception. It has been type tested and found to comply with limits for ISM Equipment pursuant to part 18 of FCC Rules, which are designed to provide reasonable protection against such interference in a residential installation.

However, there is no guarantee that interference will not occur in a particular installation. If this equipment does cause interference to radio or television reception, which can be determined by turning the equipment off and on, the user is encouraged to try to correct the interference by one or more of the following:

- Reorient the receiving antenna of the radio or television.
- Relocate the Microwave Oven with respect to the receiver.
- Move the microwave oven away from the receiver.
- Plug the microwave oven into a different outlet so that the microwave oven and the receiver are on different branch circuits.

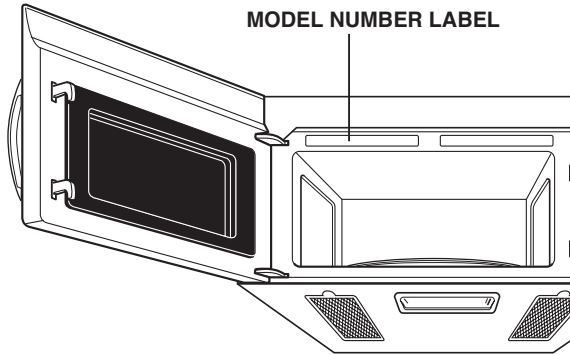
The manufacturer is not responsible for any radio or TV interference caused by unauthorized modification to this microwave oven. It is the responsibility of the user to correct such interference.

 **WARNING:** This product contains chemicals known to the State of California to cause cancer and birth defects or other reproductive harm. ***Wash hands after handling.***

PRODUCT OVERVIEW

LOCATION OF MODEL NUMBER

To request service information or replacement parts, the service center requires the complete model number of your microwave oven. The model number is on the oven front as shown in the illustration below.



GROUNDING INSTRUCTIONS

This appliance must be grounded. In the event of an electrical short circuit, grounding reduces the risk of electric shock by providing an escape wire for the electric current. This appliance is equipped with a cord having a grounding wire with a grounding plug. The plug must be plugged into an outlet that is properly installed and grounded.

⚠ WARNING - Improper use of the grounding can result in a risk of electric shock.

Consult a qualified electrician or service person if the grounding instructions are not completely understood, or if doubt exists as to whether the appliance is properly grounded.

Because this appliance fits under the cabinet, it has a short power-supply cord. Do not use an extension cord. If the power supply cord is too short, have a qualified electrician or service person install an outlet near the appliance. A short power supply cord is provided to reduce the risks resulting from becoming entangled in or tripping over a longer cord.

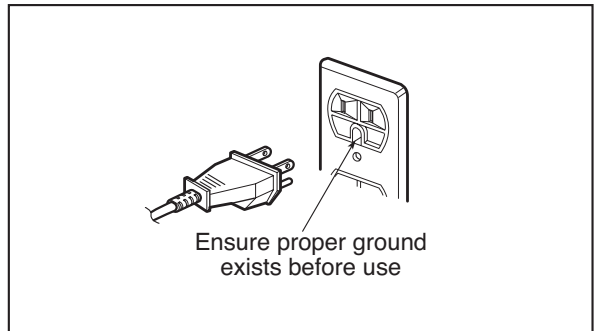
See the separate Installation Instructions for directions on placing the cord properly.

OVEN SPECIFICATIONS

Power Supply	120 V AC, 60 Hz	
Rated Current	Microwave	14.0 A
	Convection	14.0 A
Rated Power Input	Microwave	1650 W
	Convection	1650 W
Power Output	Microwave	950 W
Overall Dimensions(WxHxD)	29 ¹⁵ / ₁₆ " x 16 ⁷ / ₁₆ " x 15 ³ / ₈ "	
Oven Cavity Dimensions (WxHxD)	21 ¹ / ₄ " x 9 ⁹ / ₁₆ " x 14 ³ / ₁₆ "	
Capacity of Oven Cavity	1.7 cu.ft	

ELECTRICAL REQUIREMENTS

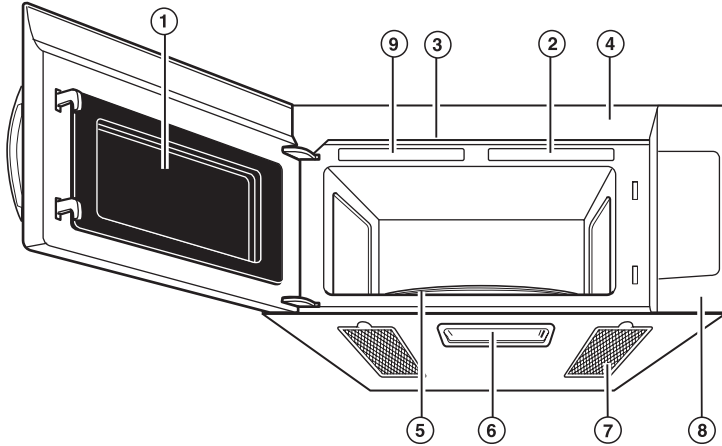
The oven is designed to operate on a Standard 120 V/60 Hz household outlet. Be sure the circuit is at least 15 A or 20 A and the microwave oven is the only appliance on the circuit. It is not designed for 50 Hz or any circuit other than a 120 V/60 Hz circuit.



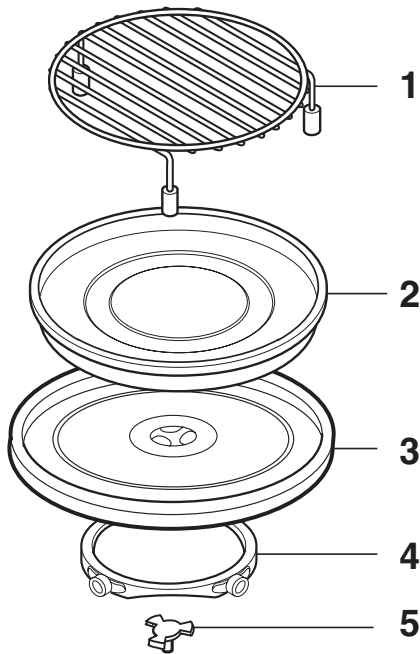
Keep the electrical power cord dry and do not pinch or crush it in any way.

PRODUCT OVERVIEW

MICROWAVE OVEN FEATURES



- 1. Metal Shielded Window** The shield prevents microwaves from escaping. It is designed as a screen to allow you to view food as it cooks.
- 2. Cooking Guide Label**
- 3. Charcoal Filter** (Behind Vent Grille)
- 4. Vent Grille**
- 5. Glass Tray** The glass tray moves food as it cooks for more even cooking. It must be in the oven during operation.
- 6. Cooktop Light**
- 7. Grease Filter**
- 8. Control Panel** Touch the buttons on this panel to perform all functions.
- 9. Model and Serial Number Plate**



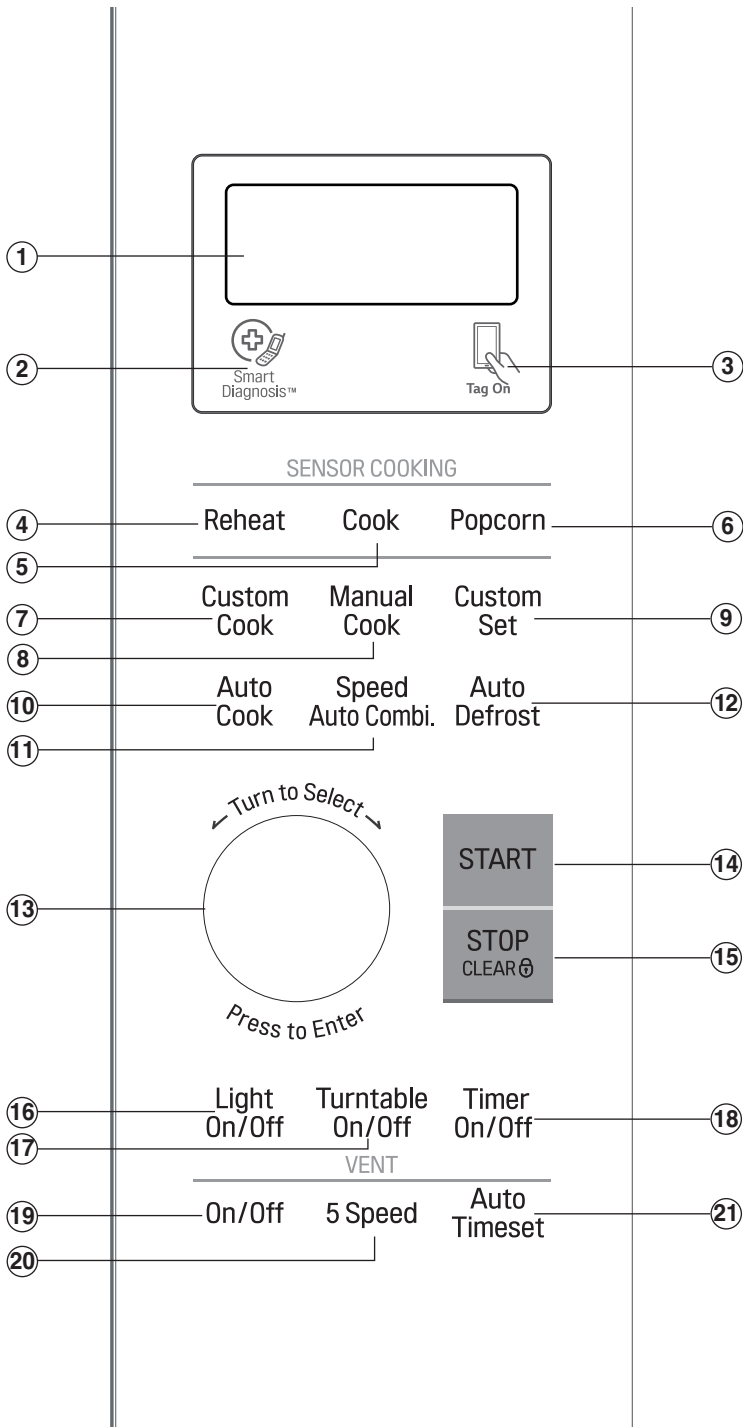
The turntable rotates in both direction to help food cook more evenly. Do not operate the microwave oven without the glass tray in place.

1. Convection Rack
2. Metal Tray/Drip Pan
3. Glass Tray
4. Rotating Ring
5. Shaft

PRODUCT OVERVIEW

CONTROL PANEL FEATURES

Use the control panel to select the desired cooking function quickly and easily. Simply touch a command key to select the desired function. **For more information on these features, see the OPERATION section.**



PRODUCT OVERVIEW

1. DISPLAY: The Display includes a clock and indicators to tell you time of day, cooking time settings, and cooking functions selected.

ICONS

2. SMART DIAGNOSIS: Hold the mouthpiece of a phone up to this icon when directed to by service center personnel, to help diagnose problems with the oven when calling for service.

3. TAG ON: Hold a smart phone over this icon to activate the NFC function.

COMMAND KEYS

4. SENSOR REHEAT: Touch this key to reheat casseroles, dinner plates, pizza slices, and soups/sauces. The oven's sensor tells the oven how long to cook depending on the amount of humidity coming from the food.

5. SENSOR COOK: Touch this key to cook baked potatoes, frozen vegetables, fresh vegetables, canned vegetables, frozen entrées, and rice. The oven's sensor tells the oven how long to cook depending on the amount of humidity coming from the food.

6. SENSOR POPCORN: Touch this to pop popcorn. The oven's sensor tells the oven how long to cook depending on the amount of humidity it detects from the popcorn.

7. CUSTOM COOK: Touch this key to recall one cooking instruction previously programmed into memory.

8. MANUAL COOK: Select the functions to operate MICROWAVE and CONVECTION, COMBI.

9. CUSTOM SET: Touch this key to change the oven's default settings for sound, clock, display speed, and defrost weight.

10. AUTO COOK: Touch this key to cook bacon, fresh rolls and muffins, frozen rolls and muffins, beverages, chicken pieces, and hot cereal.

- SOFTEN: butter, ice cream, cream cheese, or frozen juice.

- MELT: butter, chocolate, cheese, or marshmallows.

11. SPEED AUTO COMBI: Touch this key when setting weight combination cooking.

12. AUTO DEFROST: Touch this key to select food type and defrost food by weight.

CONTROLS

13. CONTROL DIAL: Set cooking time, temperature, weight and cooking categories. Lengthen or shorten the cooking time at any point by turning the dial(except in defrost mode). Press on the dial to start a function or enter all entries.

14. START: Touch the key to start a function, accept selections, or restart after opening.

15. STOP/CLEAR: Touch this key to stop the oven or to clear all entries.

16. LIGHT ON/OFF: Touch this key to turn the cooktop/countertop light on or off.

17. TURNTABLE ON/OFF: Touch this key to turn off the turntable. OFF appears in the display. **Note:** This option is not available in sensor cook and defrost modes.

18. TIMER ON/OFF: Touch this key to set the timer.

19. VENT ON/OFF: Touch this key to turn the fan on/off.

20. VENT 5-SPEED: Touch this key to choose one of 5 fan speeds.

21. VENT AUTO TIMESET: Touch this key when setting the ventilation time. (1, 3, 5, 10, and 30 minutes.)