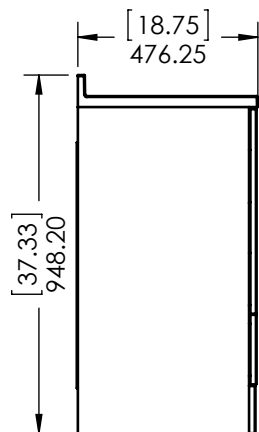
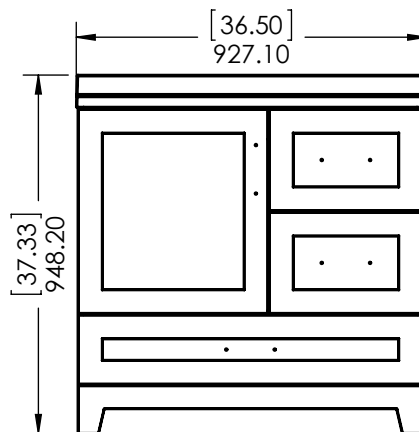


ITEM ID	DESCRIPTION
W2036P3-KG	36in Vanity w/Vanity Top & Mirror - Kitchen Gray

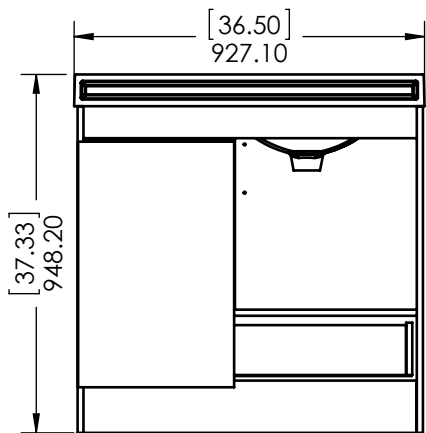
REV	ECO#	DESCRIPTION	REV'D BY DATE	CHK'D BY DATE	APRV'D BY DATE
0		New Release	RR 05/23/19	RR 05/23/19	RR 05/23/19



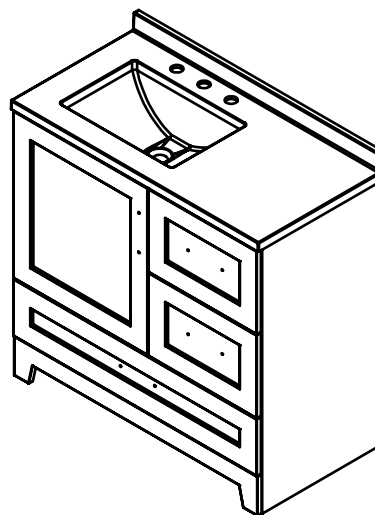
SIDE VIEW



FRONT VIEW



BACK VIEW



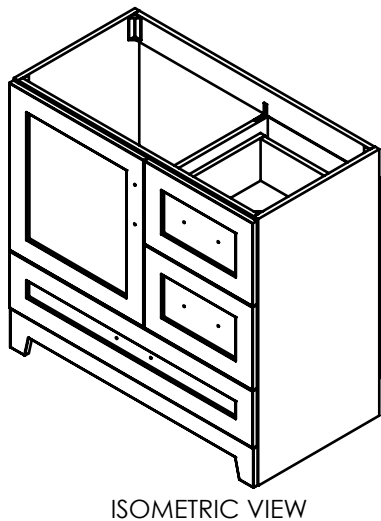
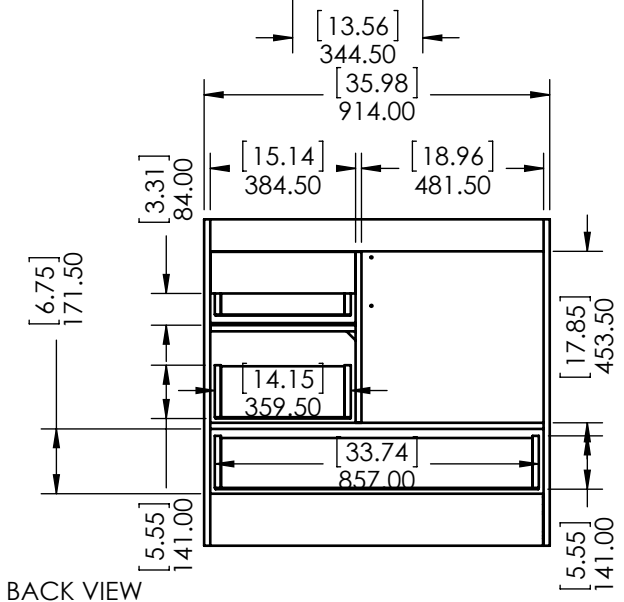
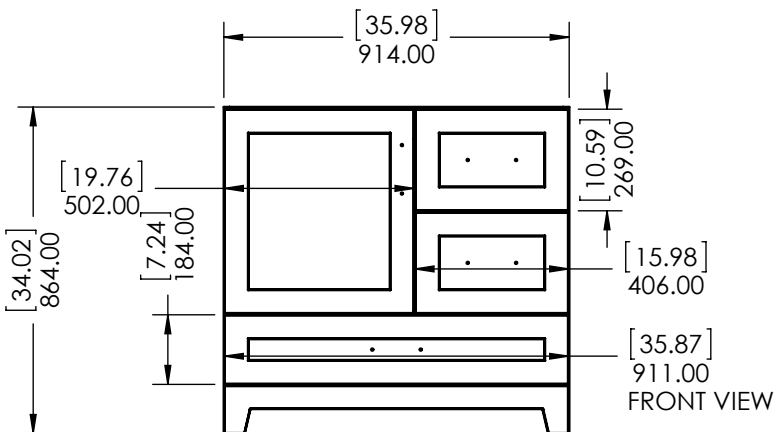
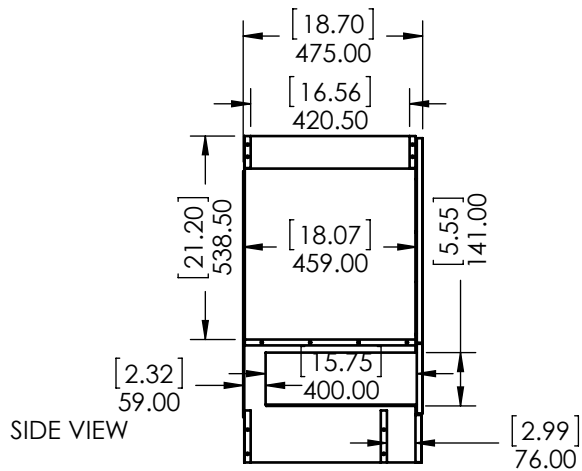
ISOMETRIC VIEW



PROPRIETARY AND CONFIDENTIAL THE INFORMATION CONTAINED IN THIS DRAWING IS THE SOLE PROPERTY OF WOODCRAFTERS HOME PRODUCTS L.L.C. ANY REPRODUCTION IN PART OR AS A WHOLE WITHOUT THE WRITTEN PERMISSION OF WOODCRAFTERS HOME PRODUCTS L.L.C. IS PROHIBITED.	UNLESS OTHERWISE SPECIFIED DIMENSIONS ARE IN mm and [inches] AND TOLERANCES ARE +/- 1.0 [0.04]	DRAWN BY:	RR	5/23/19	TITLE: 36in Vanity w/Vanity Top & Mirror - Kitchen Gray
		CHECKED BY:	RR	5/23/19	
		APPROVED BY:	RR	5/23/19	
		DO NOT SCALE DRAWING	SCALE: 1:20	SIZE: A	
			PART NO:	PAGE 1 OF 1	REV: 0

ITEM ID	DESCRIPTION
W2036P3-KG	36in Vanity w/Vanity Top & Mirror - Kitchen Gray

REV	ECO#	DESCRIPTION	REV'D BY DATE	CHK'D BY DATE	APR'V'D BY DATE
0		New Release	RR 05/23/19	RR 05/23/19	RR 05/23/19



PROPRIETARY AND CONFIDENTIAL
 THE INFORMATION CONTAINED IN THIS DRAWING IS THE SOLE PROPERTY OF WOODCRAFTERS HOME PRODUCTS L.L.C. ANY REPRODUCTION IN PART OR AS A WHOLE WITHOUT THE WRITTEN PERMISSION OF WOODCRAFTERS HOME PRODUCTS L.L.C. IS PROHIBITED.

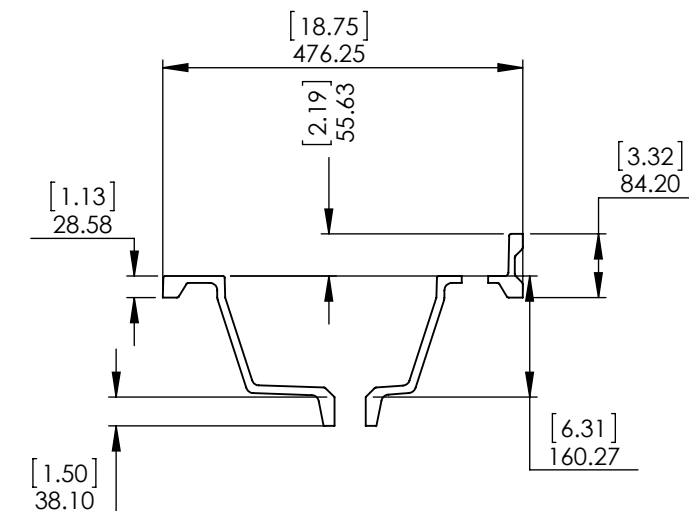
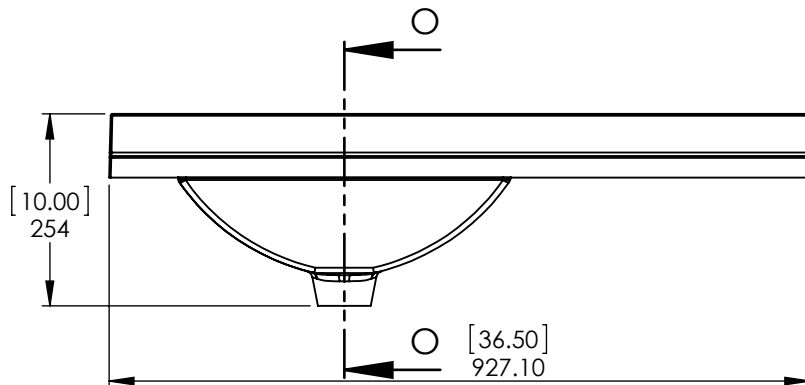
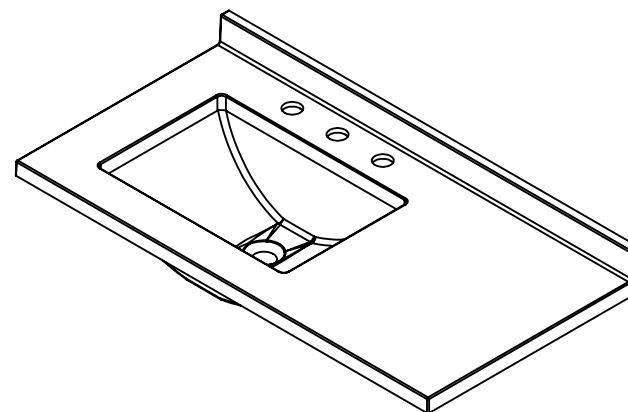
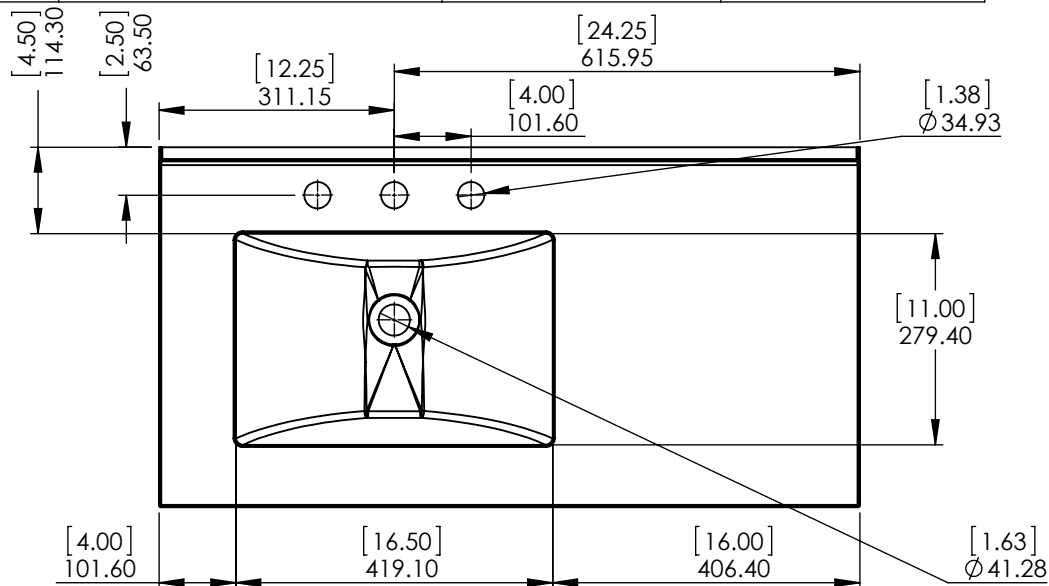
UNLESS OTHERWISE SPECIFIED
 DIMENSIONS ARE IN mm and [inches] AND TOLERANCES ARE +/- 1.0 [0.04]

DRAWN BY:	RR	5/23/19
CHECKED BY:	RR	5/23/19
APPROVED BY:	RR	5/23/19
DO NOT SCALE DRAWING	SCALE: 1:20	SIZE: A

TITLE:	36in Vanity w/Vanity Top & Mirror - Kitchen Gray		
PART NO:	PAGE	1 OF 1	REV: 0

ID	Description	Technology	Status
595569	Vtop Rect 36.5x18.75 Offset Bitono SS Titanium 8 in	Solid Surface	Approved for production
595571	Vtop Rect 36.5x18.75 Offset Bitono SS Silver Ash 8 in	Solid Surface	Approved for production

Rev #	Approved by	Change
0	R. Rubio	Released
1	R. Rubio	New Model Added



NOTE: MAX. WARPAGE
TOLERANCE 1/8"

PROPRIETARY AND CONFIDENTIAL

THE INFORMATION CONTAINED IN THIS DRAWING IS THE SOLE PROPERTY OF WOODCRAFTERS. ANY REPRODUCTION IN PART OR AS A WHOLE WITHOUT THE WRITTEN PERMISSION OF WOODCRAFTERS IS PROHIBITED.

UNLESS OTHERWISE SPECIFIED

DIMENSIONS ARE IN MM. AND (INCHES)

TOLERANCES ARE
+ 0.125 [3.175] - 0.125 [-3.175]

SCALE:1:10

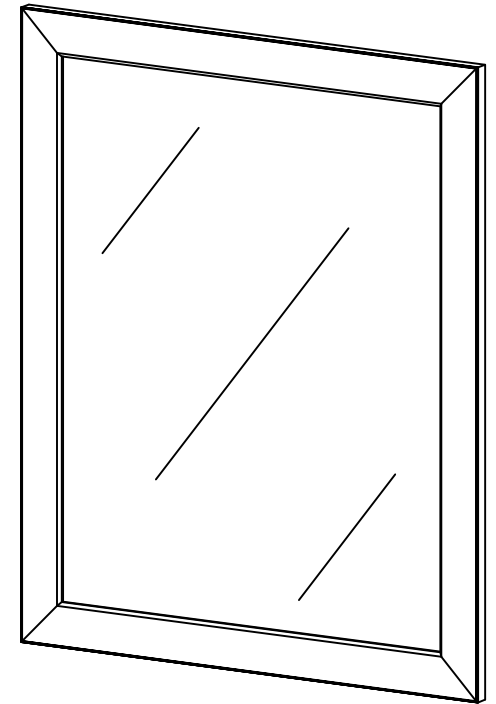
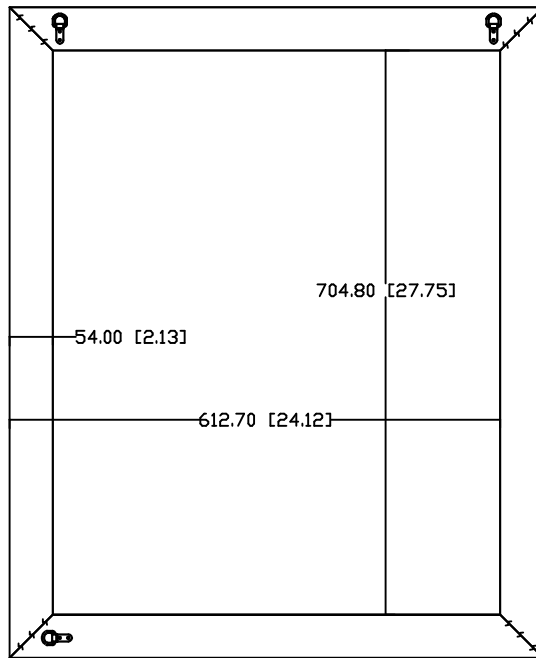
	NAME	DATE
DRAWN	O. Razo	12/04/17
CHECKED	R. Rubio	12/04/17
ENG APPR.	R. Rubio	12/04/17
MFG APPR.	C. Leal	12/04/17



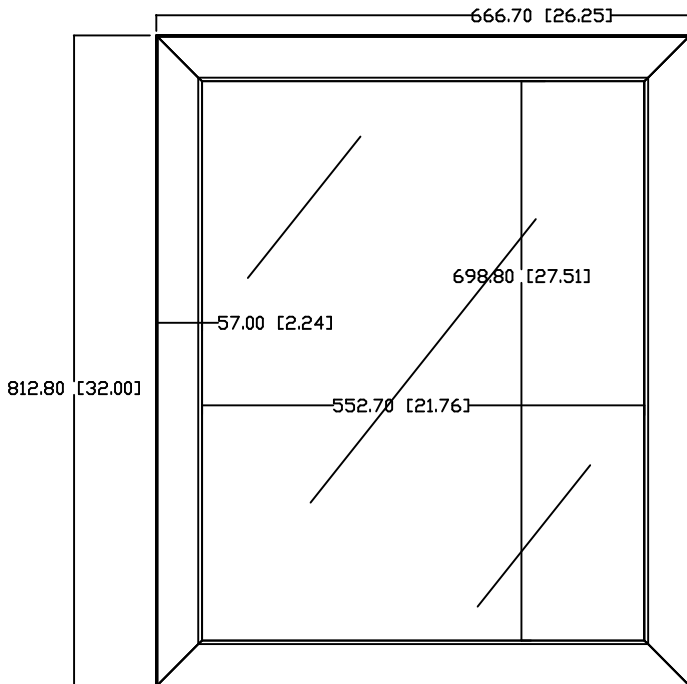
SIZE DWG. NO. A Vtop Rect 36.5x18.75 Offset Bitono 8 in

SHEET 1 OF 1
REV. 1

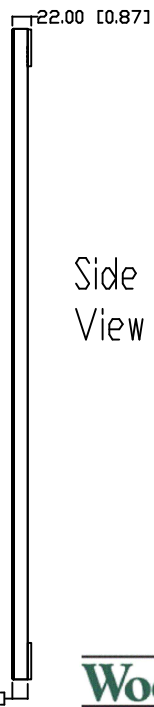
Back View



Isometric View



Front View



Side View



UNLESS OTHERWISE SPECIFIED DIMENSIONS ARE IN mm AND [Inches] 1mm [.04]	Drawn:	O.Y.L.	Name:	Date:	TITLE: 296249 Molding Wall Mirror Rev 0
	Checked:	L.G.	Form: VH-FEN004		
	Approved:	A.H.	PAGE 1 OF 1		