

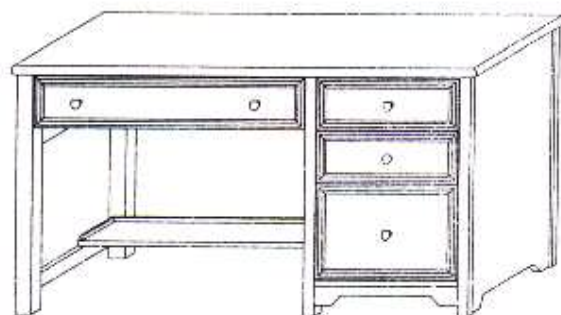
HOME DECORATORS

— *collection* —

BF 23659 OXFORD COLLECTION 42"W COMPUTER DESK

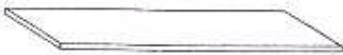

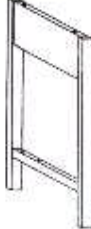



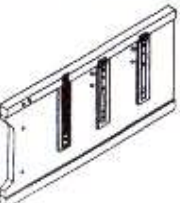

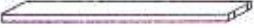
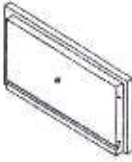
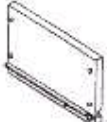

ASSEMBLY INSTRUCTIONS

Made In China



Thank you for purchasing this quality product. Be sure to check all packaging material carefully for small parts, which may have loose inside the carton during shipment. Once unpacked, compare all parts and hardware to the provided list to be sure all parts are present. If any parts or hardware are missing or damaged, please phone, e-mail or fax our Customer service Department. For speedy service, please provide your order number, item number and part number/letter of the part needed.

IMPORTANT NOTE: Follow instructions listed below in proper sequence as numbered to assure fast, easy and correct assembly.

PARTS LIST		
<p>A</p>  <p>TOP PANEL-1PC</p>	<p>B</p>  <p>BOTTOM PANEL-1PC</p>	<p>C</p>  <p>LEFT SIDE PANEL-1PC</p>
<p>D</p>  <p>RIGHT SIDE PANEL-1PC</p>	<p>E</p>  <p>BACK PANEL-1PC</p>	<p>F</p>  <p>ACROSS PANEL-2PCS</p>
<p>G</p>  <p>STAND PANEL-1PC</p>	<p>H</p>  <p>LOW PANEL-1PC</p>	<p>I</p>  <p>ACROSS PANEL-1PC</p>
<p>J</p>  <p>SMALL DRAWER PANEL FRONT-2PCS</p>	<p>K</p>  <p>SMALL RIGHT DRAWER SIDE PANEL-2PCS</p>	<p>L</p>  <p>SMALL LEFT DRAWER SIDE PANEL-2PCS</p>

M



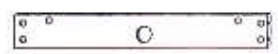
SMALL
DRAWER PANEL BACK-2PCS

N



SMALL
DRAWER PANEL BOTTOM-2PCS

O



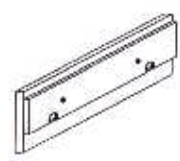
BACK ACROSS PANEL-1PC

P



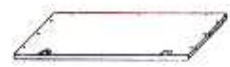
SHELF-1PC

Q



FRONT PANEL-1PC

R



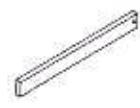
KEYBOARD PANEL-1PC

S



RIGHT
KEYBOARD SIDE PANEL-1PC

T



LEFT
KEYBOARD SIDE PANEL-1PC

U



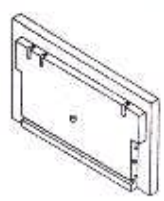
KEYBOARD BACK PANEL-1PC

V



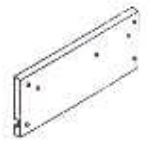
SHELF STICK PANEL-1PC

W



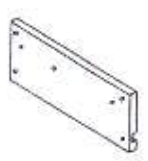
BIG
DRAWER PANEL FRONT-1PC

X



BIG LEFT
DRAWER PANEL SIDE-1PC

Y



BIG RIGHT
DRAWER PANEL SIDE-1PC

Z



BIG
DRAWER PANEL BOTTOM-1PC

A1



BIG
DRAWER PANEL BACK-1PC

C1



SCREWS-16PCS

D1



DOWELS-14PCS

E1



CAM TOOL-1PC

F1



HINGE-2PCS

G1



SCREWS-12PCS

H1



SCREWS-6PCS

I1



INNER SLIDE-2PCS

J1



FILE HANGER-2PCS

K1



SCREWS-5PCS

L1



KNOB-5PCS

M1



SCREWS-5PC

N1



CAM-BOLTS-24PCS

O1



CAM-LOCKS-24PCS

P1



SCREWS-33PCS

Q1



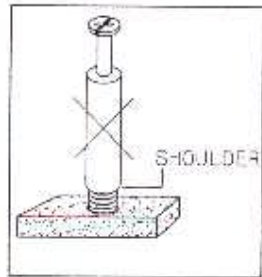
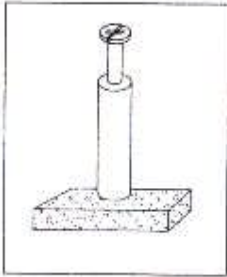
SCREWS-2PCS

R1



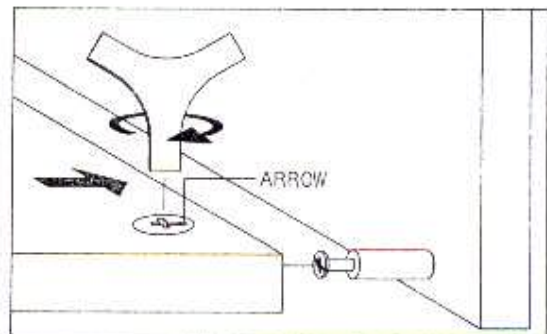
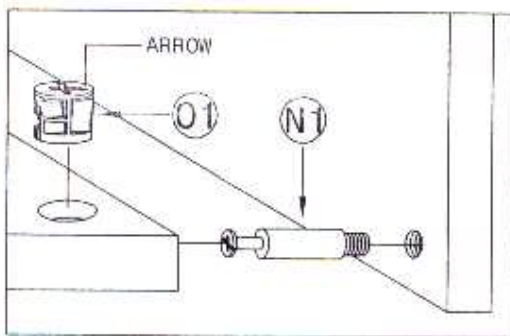
ALLEN WRENCH-1PC

NOTE: • UPON OPENING THOROUGHLY CLEAN ALL WOODS SURFACES TO REMOVE DUST AND DIRT THAT MAY HAVE SETTLED ONTO FINISH DURING SHIPMENT. IN ORDER TO PREVENT DAMAGE DURING ASSEMBLY, PLEASE ASSEMBLE THIS ITEM WITH AT LEAST TWO PEOPLE.

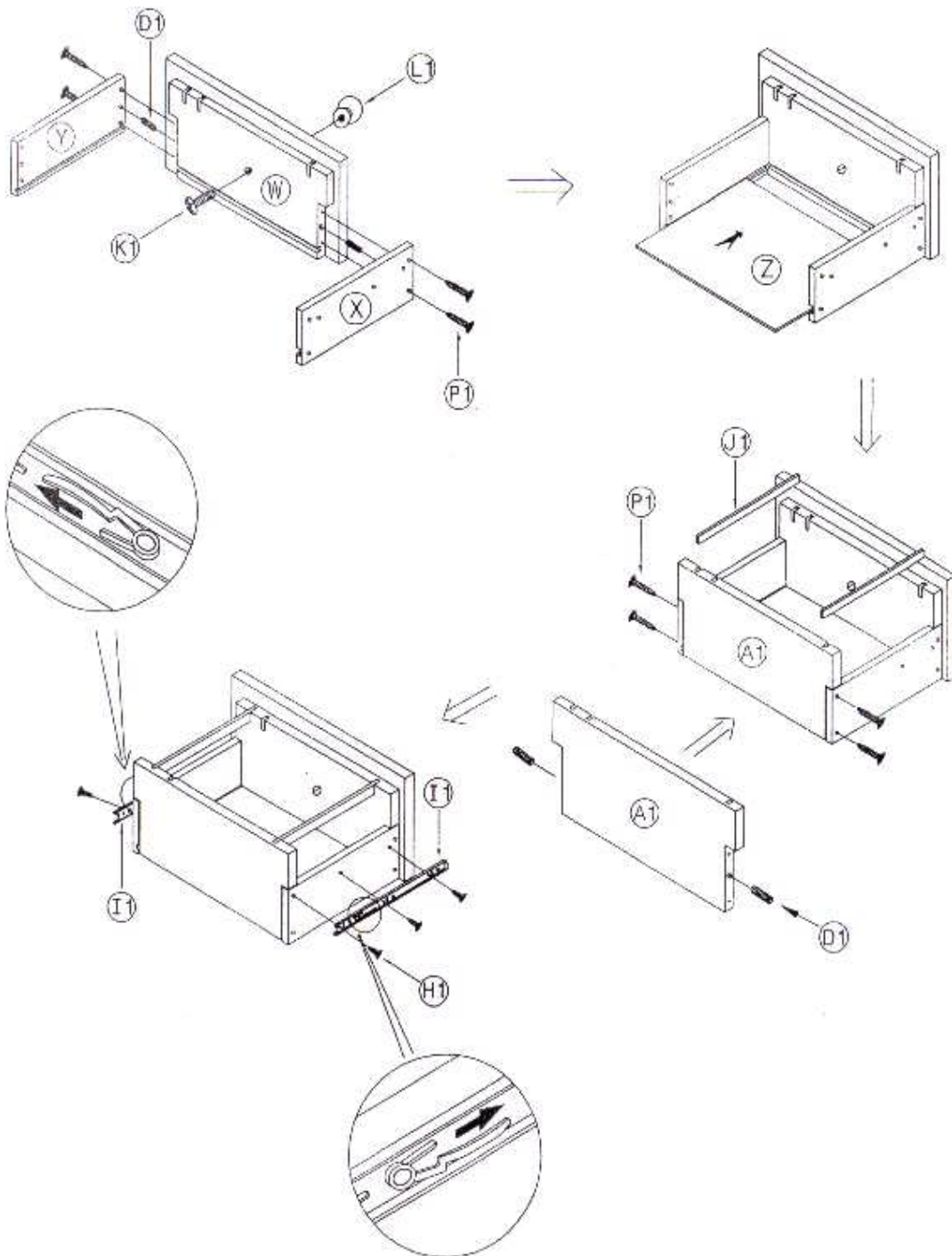


NOTE: TURN THE CAM-BOLT SCREWS UNTIL THEY ARE TIGHT, THE SHOULDER SHOULD BE AGAINST THE SURFACE OF THE PART.

HOW TO USE THE CAM-TOOL

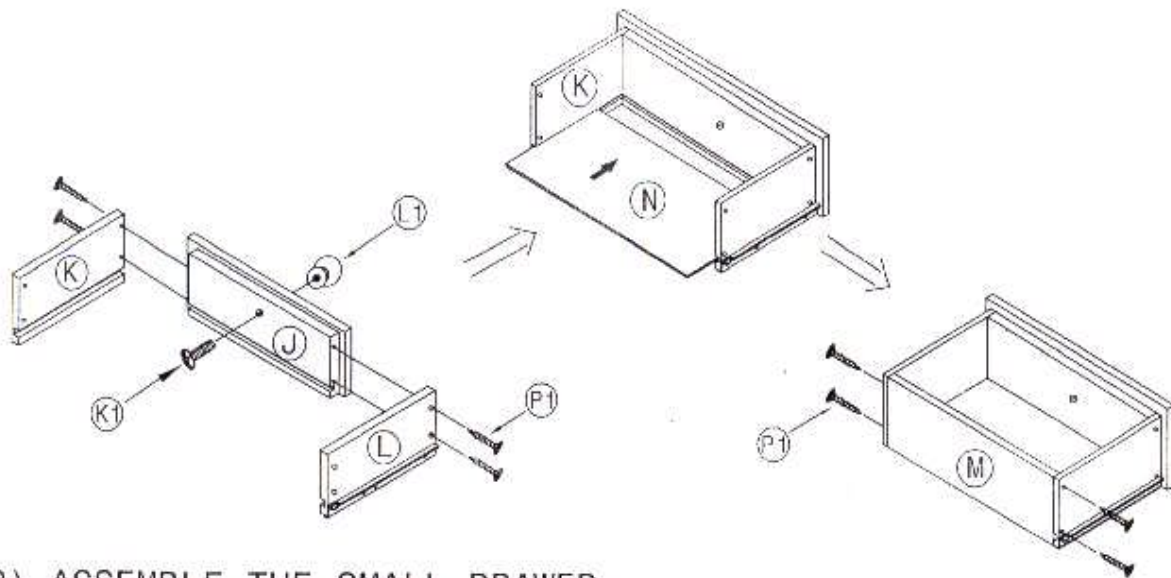


NOTE: • THE ARROWS ON THE HIDDEN CAM-LOCKS SHOULD POINT TO THE CAM-BOLTS



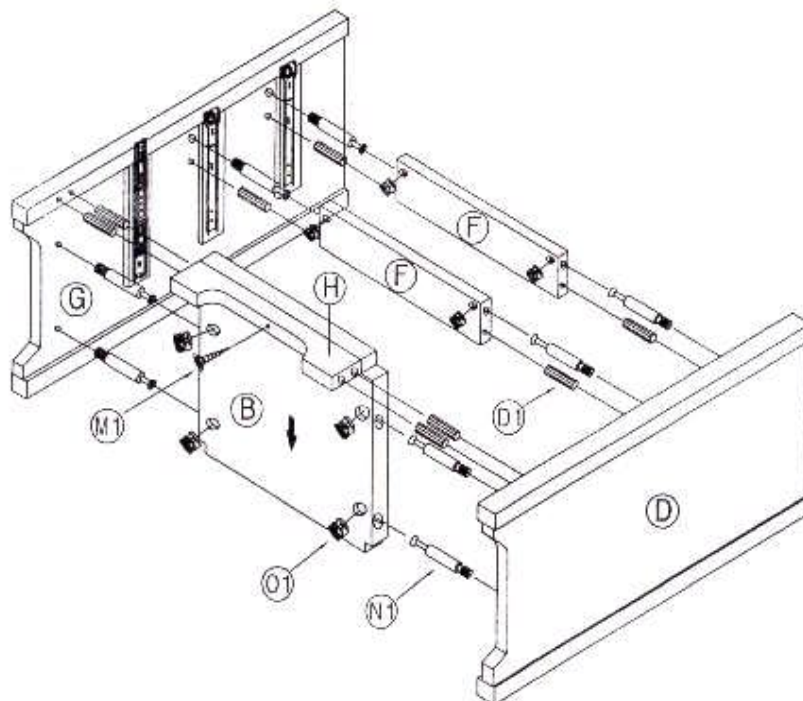
1) . ASSEMBLE THE BIG DRAWER.

- INSERT DOWELS(D1) INTO HOLES IN PANEL(W) AND ATTACH SIDE PANEL(X/Y) USING SCREWS(P1).
- ATTACH THE KNOB(L1) TO FRONT DRAWER PANEL(W) USING SCREWS(K1).
- INSERT DRAWER PANEL BOTTOM(Z) INTO SLOT IN SIDE DRAWER PANEL(X/Y).
- INSERT THE DOWELS(D1) INTO HOLES IN DRAWER PANEL BACK(A1) AND ATTACH USING SCREWS(P1).
- INSERT THE FILE HANGER(J1) INTO THE CUT-OUT OF DRAWER PANEL FRONT&BACK.
- FINALLY ,ATTACH INNER SLIDE(I1) TO DRAWER PANEL SIDE(X/Y) USING SCREWS(H1).



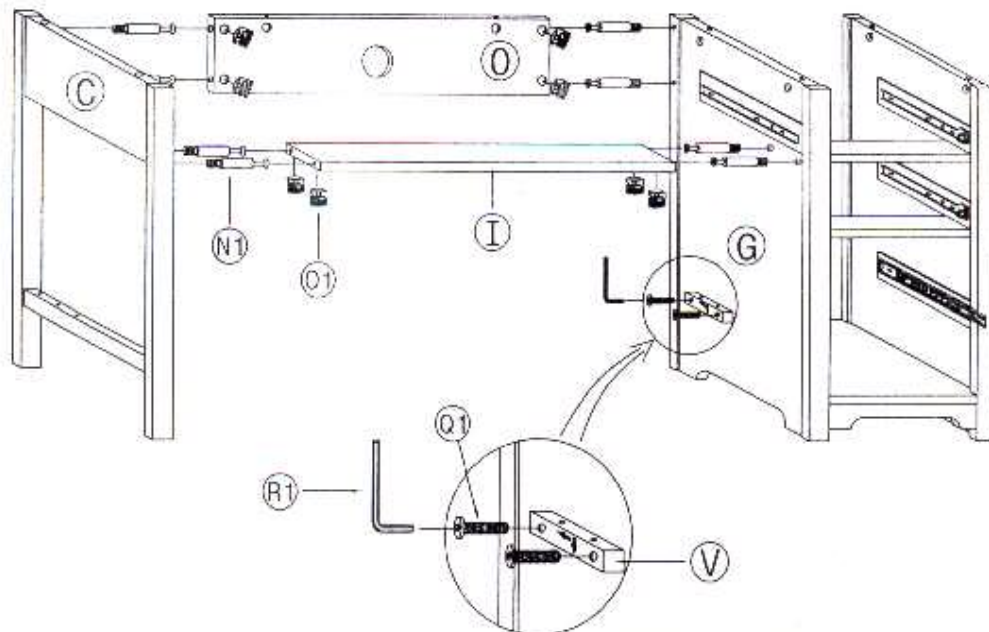
2) .ASSEMBLE THE SMALL DRAWER.

- ATTACH KNOB(L1) USING SCREWS(K1) AND ATTACH SIDE DRAWER PANEL(K/L) USING SCREWS(P1).
- INSERT THE BOTTOM DRAWER PANEL(N) INTO SLOTS IN SIDE DRAWER PANEL(K/L).
- ATTACH THE BACK DRAWER PANEL(M) TO DRAWER SIDE PANEL(K/L) USING SCREWS(P1).



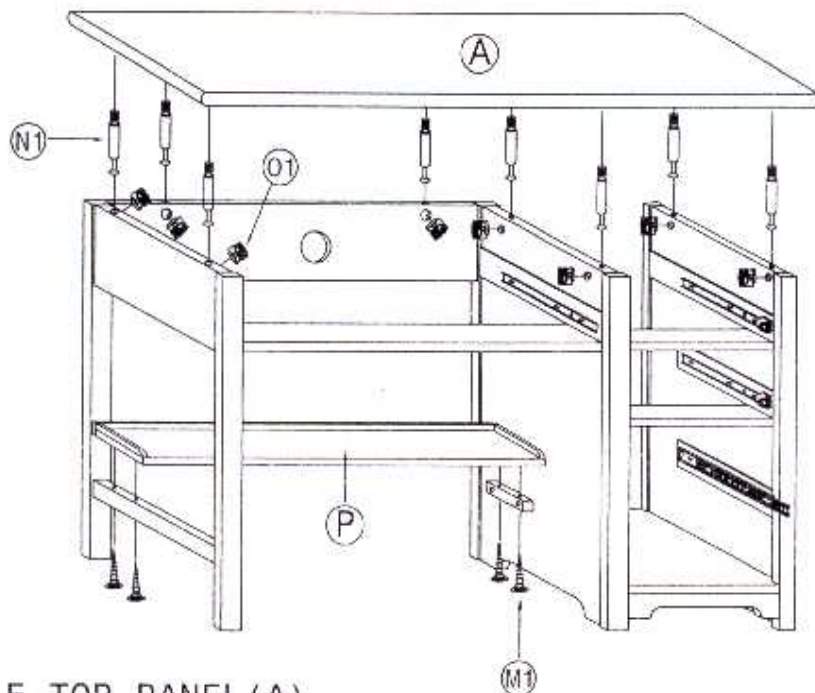
3) .ASSEMBLE SIDE/STAND PANEL(D/G) .

- ATTACH THE LOW PANEL(H) TO BOTTOM PANEL(B) AND USING SCREWS(M1).
- INSERT 8 DOWELS(D1) INTO HOLES IN ACROSS PANEL(F) AND LOW PANEL(H).
- ROTATE THE 8 CAM-BOLTS(N1) INTO HOLES IN SIDE/STAND PANEL(D/G).
- PLACE CAM-BOLTS(N1) INTO HOLES IN PANEL(F/B) AND ATTACH USING CAM-LOCKS(O1).



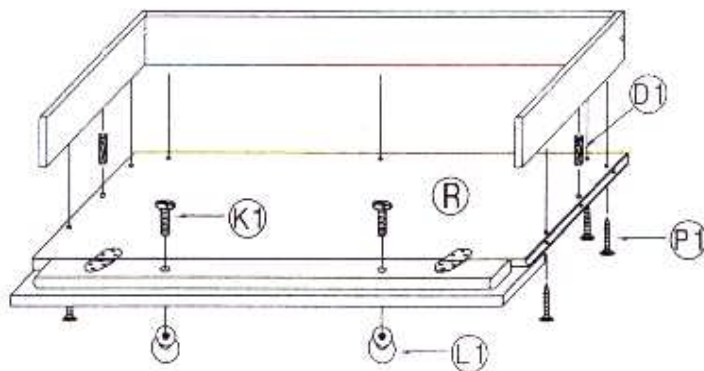
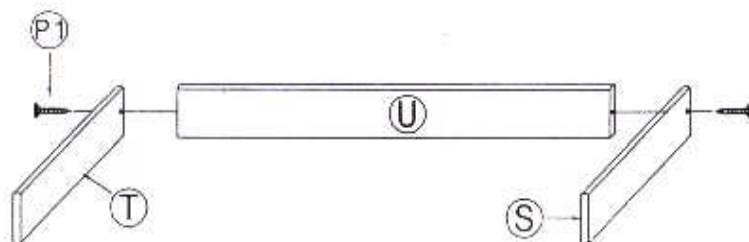
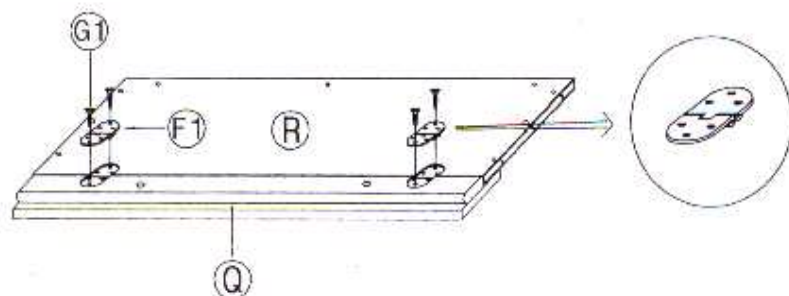
4) .ASSEMBLE ACROSS PANEL (I/O)AND SIDE PANEL (C) .

- ATTACH THE SHELF STICK PANEL (V) TO STAND PANEL (G) USING 2 SCREWS (Q1) .
- ROTATE 8 CAM-BOLTS (N1) INTO HOLES IN SIDE/STAND PANEL (C/G) .
- PLACE CAM-BOLTS (N1) INTO HOLES IN PANEL (I/O) AND ATTACH USING 8 CAM-LOCKS (O1) .



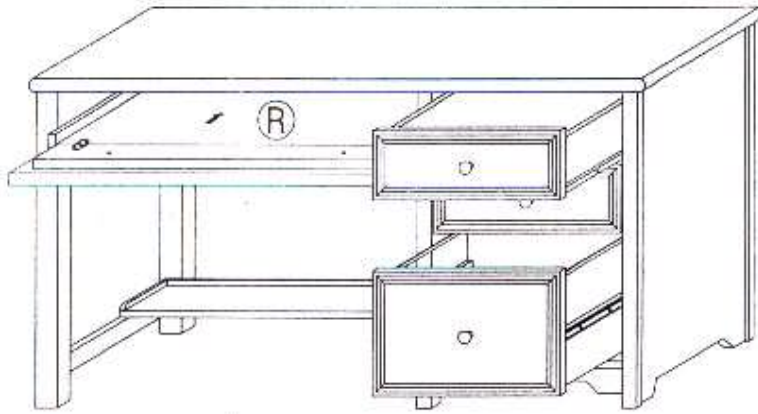
5) .ASSEMBLE TOP PANEL (A) .

- ROTATE 8 CAM-BOLTS (N1) INTO HOLES IN TOP PANEL (A) .
- PLACE CAM-BOLTS (N1) INTO HOLES IN PANEL (C/D/G/O) AND ATTACH USING CAM-LOCKS (O1) .
- ATTACH SHELF (P) TO SIDE PANEL (C) AND SHELF STICK PANEL (V) USING 4 SCREWS (M1) .



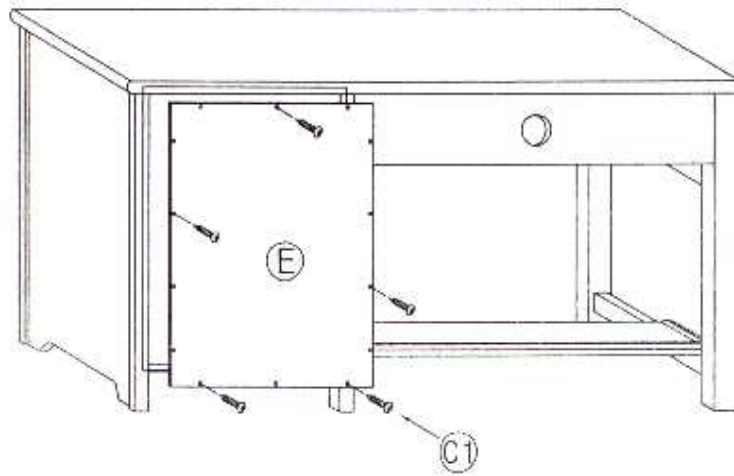
6) . ASSEMBLE THE KEYBOARD PANEL (R) .

- ATTACH 2 HINGE (F1) TO FRONT PANEL (Q) AND KEYBOARD PANEL (R) USING 12 SCREWS (G1) .
- ATTACH THE KEYBOARD SIDE PANEL (S/T) TO KEYBOARD BACK PANEL (U) USING 2 SCRW (P1) .
- INSERT THE 2 DOWELS (D1) INTO HOLES IN KEYBOARD PANEL (R) .
- ATTACH THE KEYBOARD SIDE/BACK PANEL (S/T/U) TO KEYBOARD PANEL (R) USING 7 SCRW (P1) .
- ATTACH THE 2 KNOB (L1) TO FRONT PANEL (Q) USING 2 SCREWS (K1) .



7) . ASSEMBLE THE DRAWERS.

- SLIDE ALL DRAWES INTO THE SIDE/STAND PANEL SLIDERS.
- SLIDE KEYBOARD PANEL(R) INTO SLOT IN OUTER SLIDE.



8) . ASSEMBLE THE BACK PANEL (E) .

- ATTACH THE BACK PANEL (E) TO TOP/SIDE/BOTTOM PANEL USING SCREWS (D1) .