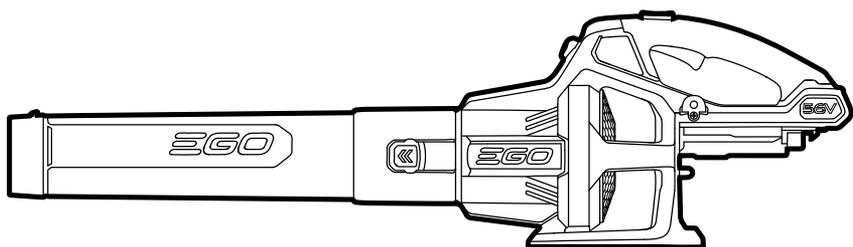


# EGO™

POWER<sup>+</sup> BLOWER



## OPERATOR'S MANUAL

# 56-VOLT LITHIUM-ION CORDLESS BLOWER

MODEL NUMBER LB5300/LB5300-FC

Français p. 23

Español p. 47

Notice: The Blower is intended for household or commercial use

**⚠ WARNING:** To reduce the risk of injury, the user must read and understand the Operator's Manual before using this product. Save these instructions for future reference.



# TABLE OF CONTENTS

Safety Guidelines . . . . .	4
Important Safety Instructions . . . . .	5-10
Introduction . . . . .	10-11
Specifications . . . . .	11
Assembly . . . . .	12-13
Description . . . . .	14
Operation . . . . .	15-18
Maintenance . . . . .	19
Troubleshooting . . . . .	20
Warranty . . . . .	21-22

# READ ALL INSTRUCTIONS!



READ & UNDERSTAND  
INSTRUCTION MANUAL

**⚠ WARNING:** Some dust created by power sanding, sawing, grinding, drilling and other construction activities contains chemicals known to the state of California to cause cancer, birth defects or other reproductive harm. Some examples of these chemicals are:

- Lead from lead-based paints,
- Crystalline silica from bricks and cement and other masonry products, and
- Arsenic and chromium from chemically-treated lumber.

Your risk from these exposures varies, depending on how often you do this type of work. To reduce your exposure to these chemical: work in a well ventilated area, and work with approved safety equipment, such as those dust masks that are specially designed to filter out microscopic particles.

# SAFETY GUIDELINES

## SAFETY SYMBOLS

The purpose of safety symbols is to attract your attention to possible dangers. The safety symbols and the explanations with them deserve your careful attention and understanding. The symbol warnings do not, by themselves, eliminate any danger. The instructions and warnings they give are no substitutes for proper accident prevention measures.

**⚠ WARNING:** Be sure to read and understand all safety instructions in this Operator's Manual, including all safety alert symbols such as "**DANGER**," "**WARNING**," and "**CAUTION**" before using this tool. Failure to following all instructions listed below may result in electric shock, fire, and/or serious personal injury.

## DAMAGE PREVENTION AND INFORMATION MESSAGES

These inform the user of important information and/or instructions that could lead to equipment or other property damage if they are not followed. Each message is preceded by the word "NOTICE", as in the example below:

**NOTICE:** Equipment and/or property damage may result if these instructions are not followed.



**⚠ WARNING:** The operation of any power tools can result in foreign objects being thrown into your eyes, which can result in severe eye damage. Before beginning power tool operation, always wear safety goggles or safety glasses with side shields and a full face shield when needed. We recommend a Wide Vision Safety Mask for use over eyeglasses or standard safety glasses with side shields. Always use eye protection which is marked to comply with ANSI Z87.1.

# IMPORTANT SAFETY INSTRUCTIONS

This page depicts and describes safety symbols that may appear on this product. Read, understand, and follow all instructions on the machine before attempting to assemble and operate.

	<p>Safety Alert</p>	<p>Precautions that involve your safety.</p>
	<p>Read Operator's Manual</p>	<p>To reduce the risk of injury, user must read and understand operator's manual before using this product.</p>
	<p>Long Hair</p>	<p>Failure to keep long hair away from the air inlet could result in personal injury.</p>
	<p>Loose Clothing</p>	<p>Failure to keep loose clothing from being drawn into air intake vents could result in personal injury.</p>
	<p>Eye Protection</p>	<p>Always wear safety goggles or safety glasses with side shields and a full face shield when operating this product.</p>
	<p>Blower Tube</p>	<p>Do not operate without tube in place.</p>
	<p>Keep Bystanders Away</p>	<p>Keep all bystanders at least 50 ft. away.</p>
	<p>Recycle Symbols</p>	<p>This product uses lithium-ion (Li-ion) batteries. Local, state, or federal laws may prohibit disposal of batteries in ordinary trash. Consult your local waste authority for information regarding available recycling and/or disposal options.</p>

IPX4	Ingress Protection Degree	Protection from splashing water
V	Volt	Voltage
A	Amperes	Current
Hz	Hertz	Frequency (cycles per second)
W	Watt	Power
min	Minutes	Time
CFM	Cubic Feet Per Minute	Air volume
MPH	Miles Per Hour	Air velocity
~	Alternating Current	Type of current
≡	Direct Current	Type or a characteristic of current
$n_0$	No Load Speed	Rotational speed, at no load
... /min	Per Minute	Revolutions, strokes, surface speed, orbits, etc., per minute

When using an electrical appliance, basic precautions should always be followed, including the following:

## READ ALL INSTRUCTIONS BEFORE USING THIS PRODUCT!

**⚠ WARNING:** To ensure safety and reliability, all repairs should be performed by a qualified service technician.

**⚠ WARNING:** To reduce risk of fire, electric shock, or injury:

- **Know your power blower. Read the instruction manual carefully. Learn the blower's applications and limitations, as well as the specific potential hazards related to this blower.** Following this rule will reduce the risk of electric shock, fire, or serious injury.
- **Do not allow the blower to be used as a toy.** Close attention is necessary when used by or near children.

- **Use only as described in this manual. Use only manufacturer's recommended attachments.**
- **If the blower is not working as it should, has been dropped, damaged, left outdoors, or dropped into water, return it to a service center.**
- **Do not handle the charger, including charger plug, or charger terminals with wet hands.**
- **Do not put any object into any openings. Do not use with any opening blocked; keep openings free of dust, lint, hair, and anything that may reduce air flow.**
- **Keep hair, loose clothing, fingers, and all parts of body away from openings and moving parts.** Loose clothes, jewelry, or long hair can be drawn into air vents.
- **Secure long hair above shoulder level to prevent entanglement in moving parts.**
- **Use extra care when cleaning on stairs.**
- **Do not charge the battery pack outdoors.**
- **Use only the charger supplied by the manufacturer to recharge.**
- **Do not leave blower unattended when the battery is inserted.** Remove the battery when the blower is not in use and before servicing.
- **Do not operate blowers in explosive atmospheres, such as in the presence of flammable liquids, gases, or dust.** Blowers create sparks which may ignite the dust or fumes.
- **Use the battery operated blower only with specifically designated battery pack.** Use of any other batteries may create a risk of fire.
- **Use only with battery packs and chargers listed below.**

BATTERY PACK	CHARGER
BA1120, BA1120-FC, BA1400, BA1400-FC, BA2240, BA2240-FC, BA2800, BA2800-FC, BA4200, BA4200-FC	CH2100, CH2100-FC, CH5500, CH5500-FC

- **Stay alert, watch what you are doing and use common sense when operating a power blower. Do not use the blower while tired, upset, or under the influence of drugs, alcohol, or medication.** A moment of inattention while operating blowers may result in serious personal injury.
- **Avoid accidental starting. Be sure that the switch is in the locked or off position before inserting the battery pack.** Carrying blowers with your finger on the switch or inserting the battery pack into a blower with the switch on invites accidents.
- **Use safety equipment. Always wear eye protection.** Dust mask, non-skid safety shoes, hard hat, or hearing protection must be used for appropriate conditions.
- **Do not use on a ladder, rooftop, tree, or other unstable support.** Stable footing on a solid surface enables better control of the blower in unexpected situations.
- Always take care of your feet, children, or pets around you when removing the battery pack from blower. **Serious injury could result if the battery pack falls. NEVER remove the battery pack when in a high position.**
- **Do not use the blower if switch does not turn it on or off.** A blower that cannot be controlled with the switch is dangerous and must be repaired.
- **Disconnect the battery pack from the blower before making any adjustments, changing accessories, or storing the blower.** Such preventive safety measures reduce the risk of starting the blower accidentally.
- **Turn off all controls before removing the battery.**
- **DO NOT** attempt to clear clogs from the unit without first removing the battery.
- **Check for misalignment or binding of moving parts, breakage of parts, and any other condition that may affect the blower's operation. If damaged, have the blower serviced before using.** Many accidents are caused by poorly maintained blowers.
- **Keep the blower and its handle dry, clean and free from oil and grease.** Always use a clean cloth when cleaning. Never use brake fluids, gasoline, petroleum-based products, or any strong solvents to clean your blower. Following this rule will reduce the risk of loss of control and deterioration of the enclosure plastic.
- **Always wear safety glasses with side shields.** Everyday glasses have only impact resistant lenses. They are NOT safety glasses. Following this rule will reduce the risk of eye injury.



- **Always wear eye protection with side shields marked to comply with ANSI Z87.1 along with hearing protection when operating this equipment.**
- **Protect your lungs. Wear a face or dust mask if the operation is dusty.**  
Following this rule will reduce the risk of serious personal injury.
- **Protect your hearing. Wear hearing protection during extended periods of operation.** Following this rule will reduce the risk of serious personal injury.
- **Battery powered blowers do not have to be plugged into an electrical outlet; therefore, they are always in operating condition. Be aware of possible hazards when not using your battery powered blower or when changing accessories.** Following this rule will reduce the risk of electric shock, fire, or serious personal injury.
- **Wear heavy long pants, long sleeves and boots.** Avoid loose garments or jewelry that could get caught in moving parts of the machine or its motor.
- **Do not operate the equipment while barefoot or when wearing sandals or similar lightweight footwear.** Wear protective footwear that will protect your feet and improve your footing on slippery surfaces.
- **Do not incinerate the appliance even if it is severely damaged.** The batteries can explode in a fire.
- **Batteries can explode in the presence of a source of ignition, such as a pilot light.** To reduce the risk of serious personal injury, never use any cordless product in the presence of open flame. An exploded battery can propel debris and chemicals. If exposed, flush with water immediately.
- **Keep firm footing and balance. Do not overreach.** Overreaching can result in loss of balance.
- **Check the work area before each use.** Remove all objects such as rocks, broken glass, nails, wire, or string which can be thrown by or become entangled in the machine.
- **Do not point the blower tube in the direction of people or pets.**
- **Never run the unit without the proper equipment attached.** Always ensure that the blower tube is installed.
- **When not in use, the blower should be stored indoors in a dry, secure place out of the reach of children.**

- **Keep all bystanders, children, and pets at least 50 ft. away.**
- **Blower service must be performed only by qualified repair personnel.** Service or maintenance performed by unqualified personnel may result in a risk of injury.
- **When servicing a blower, use only identical replacement parts.** Follow instructions in the Maintenance section of this manual. Use of unauthorized parts or failure to follow Maintenance Instructions may create a risk of shock or injury.
- **Never use the blower near fires or hot ashes.** Use near fires or ashes can spread fires and result in serious injury and/or property damage.
- **Never use blower to spread chemicals, fertilizers, or any other toxic substances.** Spreading these substances could result in serious injury to the operator or bystanders.
- **Never place the blower on any surface, except a hard, clean surface when the engine is running.** Gravel, sand, and other debris can be picked up by the air inlet and thrown at the operator or bystanders, causing possible serious injuries.
- **Do not expose a battery pack or tool to fire or excessive temperature.** Exposure to fire or temperature above 212 °F (100°C) may cause explosion.
- **Save these instructions.** Refer to them frequently and use them to instruct others who may use this tool. If you loan this tool to someone else, also loan these instructions to them to prevent misuse of the product and possible injury.

## **SAVE THESE INSTRUCTIONS!**

## **INTRODUCTION**

Congratulations on your selection of the new 56V Lithium-ion powered blower. It has been designed, engineered and manufactured to give you the best possible dependability and performance.

Should you experience any problem you cannot easily remedy, please contact EGO customer service center 1-855-EGO-5656.

This manual contains important information on to the safe assembly, operation and maintenance of your product Read it carefully before using the product. Keep this manual handy so you can refer to it at any time.

SERIAL NUMBER \_\_\_\_\_ DATE OF PURCHASE \_\_\_\_\_  
YOU SHOULD RECORD BOTH SERIAL NUMBER AND DATE OF PURCHASE AND KEEP THEM IN A  
SAFE PLACE FOR FUTURE REFERENCE

## SPECIFICATIONS

Voltage	56V 
No Load Speed	Boost: 23000 RPM
	High: 18000 RPM
	Low: 10000 RPM
Air Volume	Boost: 530 CFM
	High: 400 CFM
	Low: 260 CFM
Air Velocity	Boost: 110 MPH
	High: 85 MPH
	Low: 50 MPH
Approx. Run Time (with EGO BA1400/BA1400-FC 56V Battery 2.5Ah)	10 min.(Boost)
	22 min. (High speed)
	75 min. (Low speed)
Recommended Operating Temperature	5°F-104°F(-15°C-40°C)
Recommended Storage Temperature	-4°F-158°F(-20°C-70°C)
Blower Weight (Without battery pack, with tube)	4.81 lb. (2.18 kg)

## ASSEMBLY

**⚠ WARNING:** If any parts are damaged or missing, do not operate this product until the parts are replaced. Use of this product with damaged or missing parts could result in serious personal injury.

**⚠ WARNING:** Do not attempt to modify this product or create accessories not recommended for use with this blower. Any such alteration or modification is misuse and could result in a hazardous condition leading to possible serious personal injury.

## UNPACKING

- Carefully remove the product and any accessories from the box. Make sure that all items listed in the packing list are included.

**⚠ WARNING:** Do not use this product if any parts on the packing list are already assembled to your product when you unpack it. Parts on this list are not assembled to the product by the manufacturer and require customer installation. Use of a product that may have been improperly assembled could result in serious personal injury.

- Inspect the tool carefully to make sure no breakage or damage occurred during shipping.
- Do not discard the packing material until you have carefully inspected and satisfactorily operated the tool.
- If any parts are damaged or missing, please return the product to the place of purchase.

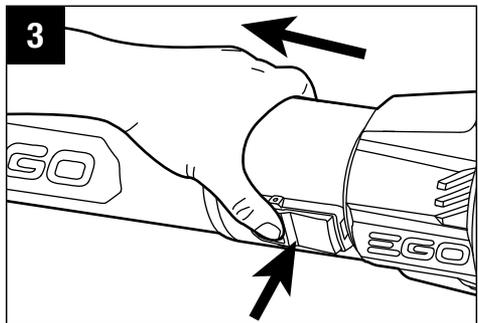
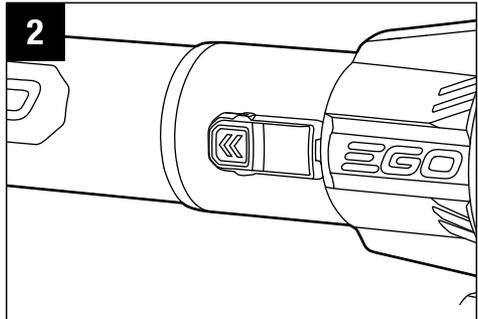
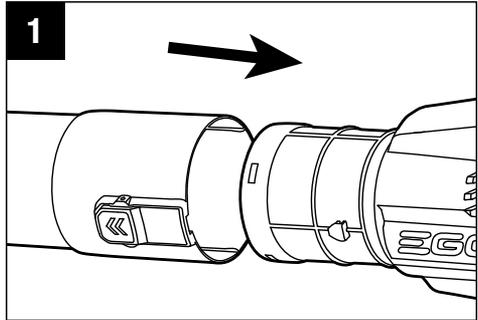
## LIST OF PARTS

PART NAME	QUANTITY
Blower	1
Blower tube	1
Operator's manual	1

## ASSEMBLING THE BLOWER TUBE

**⚠ WARNING:** To prevent accidental starting that could cause serious personal injury, always remove the battery pack from the tool when assembling parts.

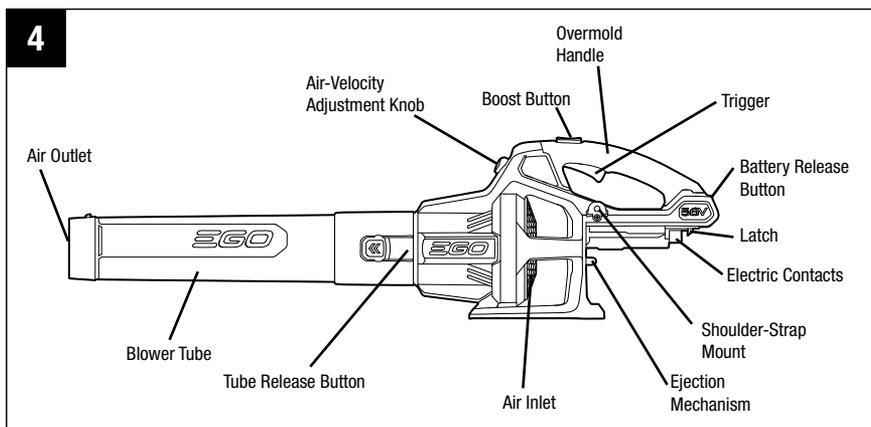
1. Align the groove in the tube with the knob on the blower housing. Push the tube onto the blower housing until the latch snaps into place (Fig. 1 & 2).
2. To remove the tube, press and hold the tube-release button to disengage the latch, then pull the tube straight from the blower (Fig. 3).



# DESCRIPTION

## KNOW YOUR BLOWER (Fig. 4)

The safe use of this product requires an understanding of the information on the tool and in this instruction manual as well as knowledge of the project you are attempting. Before use of this product, familiarize yourself with all operating features and safety rules.



Trigger	Starts or stops the blower.
Boost Button	Amplifies the air velocity to the maximum, regardless of adjustment knob setting.
Air-Velocity Adjustment Knob	Increases or reduces the air velocity of the blower.
Battery-Release Button	Releases the battery pack from the blower.
Latch	Locks the battery pack when installing it on the blower.
Shoulder Strap Mount	For use with a shoulder strap.
Overmold Handle	Ergonomic handle with overmold improves comfort and grip.

## OPERATION

**⚠ WARNING:** Do not allow familiarity with this product to make you careless. Remember that a careless fraction of a second is sufficient to inflict serious injury.

**⚠ WARNING:** Always wear eye protection with side shields marked to comply with ANSI Z87.1, along with hearing protection. Failure to do so could result in objects being thrown into your eyes and other possible serious injuries.

**⚠ WARNING:** Do not use any attachments or accessories not recommended by the manufacturer of this product. The use of attachments or accessories not recommended can result in serious personal injury.

Before each use, inspect the entire product for damaged, missing, or loose parts, such as screws, nuts, bolts, caps, etc. Tighten securely all fasteners and caps and do not operate this product until all missing or damaged parts are replaced.

## APPLICATION

You may use this product for the purposes listed below:

- Clearing hard surfaces such as driveways and walkways
- Keeping decks and driveways free from leaves and pine needles

## TO INSTALL/REMOVE BATTERY PACK (Fig. 5)

### CHARGE BEFORE FIRST USE.

**⚠ WARNING:** Always remove the battery pack from the product when you are assembling parts, making adjustments, cleaning, or when not in use. Removing the battery pack will prevent accidental starting that could cause serious personal injury.

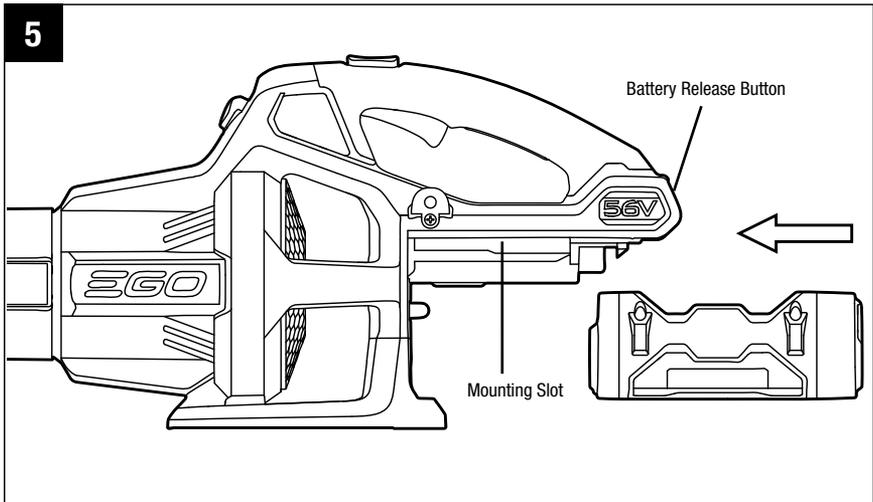
### TO INSTALL

- Align the ribs of the battery pack with the mounting slots in the blower's battery port.
- Press the battery pack down until it snaps into position.

### TO REMOVE

**⚠ WARNING:** Always take care to note the location of your feet, children, or pets when pressing the battery-release button. Serious injury could result if the battery pack falls. NEVER remove the battery pack when in a high location.

- Press the battery-release button; the battery pack will disengage from the latch and the ejection mechanism will assist with removal.
- Remove the battery pack from the blower.

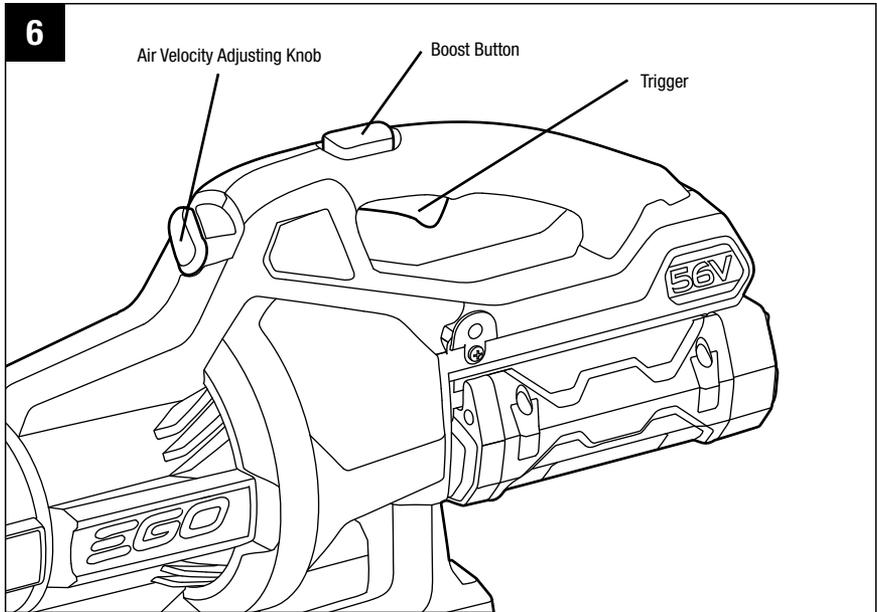




## **STARTING/STOPPING THE BLOWER (Fig. 6)**

- To start the blower, depress the trigger. The blower will begin to run.
- To stop the blower, release the trigger.

## **ADJUSTING THE AIR VELOCITY (Fig. 6)**



The blower is equipped with stepless speed regulation to control the air speed.

To increase the air velocity, turn the air velocity adjusting knob clockwise when the blower runs; to reduce the air velocity, turn the knob counterclockwise.

To enhance the air velocity, press the boost button to temporarily amplify the air speed to the maximum. The blower will resume the previous speed when this button is released.

## **OPERATING THE BLOWER**

- To keep from scattering debris, blow around the outer edges of a debris pile. Never blow directly into the center of a pile.
- To reduce sound levels, limit the number of pieces of equipment used at any one time.
- Use rakes and brooms to loosen debris before blowing. In dusty conditions, slightly dampen surfaces if water is available.
- Conserve water by using power blowers instead of hoses for many lawn and garden applications, including areas such as gutters, screens, patios, grills, porches, and gardens.
- Watch out for children, pets, open windows, or freshly washed cars, and blow debris safely away.
- After using blowers or other equipment, clean up! Dispose of debris properly.

## MAINTENANCE

**⚠ WARNING:** When servicing, use only identical replacement parts. Use of any other parts may create a hazard or cause product damage. To ensure safety and reliability, all repairs should be performed by a qualified service technician.

**⚠ WARNING:** To avoid serious personal injury, always remove the battery pack from the product when cleaning or performing any maintenance.

### GENERAL MAINTENANCE

Avoid using solvents when cleaning plastic parts. Most plastics are susceptible to damage from various types of commercial solvents and may be damaged by their use. Use clean cloths to remove dirt, dust, oil, grease, etc.

**⚠ WARNING:** Do not at any time let brake fluids, gasoline, petroleum-based products, penetrating oils, etc., come in contact with plastic parts. Chemicals can damage, weaken or destroy plastic which may result in serious personal injury.

### STORAGE

- Clean all foreign material from the air inlets of the blower.
- Store indoors in a place that is inaccessible to children. Keep away from corrosive agents, such as garden chemicals and de-icing salts.

## TROUBLESHOOTING

PROBLEM	CAUSE	SOLUTION
Blower doesn't work.	<ul style="list-style-type: none"><li>▪ The battery pack is not attached to the blower.</li><li>▪ No electrical contact between the blower and battery</li><li>▪ The battery pack is depleted.</li><li>▪ The battery pack or blower is too hot.</li></ul>	<ul style="list-style-type: none"><li>▪ Attach the battery pack to the blower.</li><li>▪ Remove battery, check contacts and reinstall the battery pack.</li><li>▪ Charge the battery pack.</li><li>▪ Cool the battery pack and blower until the temperature drops below 152°F (67°C).</li></ul>
The air velocity decreases obviously.	<ul style="list-style-type: none"><li>▪ Excessive wearing of motor fan.</li><li>▪ The air inlet is blocked by debris.</li></ul>	<ul style="list-style-type: none"><li>▪ Contact EGO service center for repair.</li><li>▪ Remove the battery pack, clear the debris.</li></ul>

# WARRANTY

## EGO WARRANTY POLICY

5 year limited warranty on EGO outdoor power equipment and 3 year limited warranty on EGO POWER+ System battery packs and chargers.

**Please contact EGO Customer Service Toll-Free at 1-855-EGO-5656** any time you have questions or warranty claims.

## LIMITED SERVICE WARRANTY

FOR FIVE YEARS from the date of original retail purchase, this EGO product is warranted against defects in material or workmanship. Defective product will receive free repair.

FOR THREE YEARS from the date of original retail purchase, the EGO Power+ System battery pack and charger are warranted against defects in material or workmanship. Defective product will receive free repair.

- a) This warranty applies only to the original purchaser from an authorized EGO retailer and may not be transferred. Authorized EGO retailers are identified online at <http://egopowerplus.com/pages/warranty-policy>.
- b) The warranty period for any EGO product, battery pack and charger used for industrial, professional or commercial purpose is one year.
- c) The warranty period for reconditioned or refurbished products used for residential purpose is 1 year, for industrial, professional or commercial purpose is 90 days.
- d) The warranty period for routine maintenance parts, such as, but not limited to, blades, trimmer heads, chain bars, saw chains, belts, scraper bars, blower nozzles, and all other EGO accessories is 90 days for residential purpose, 30 days for industrial, professional or commercial purpose. These parts are covered for 90/30 days from manufacture defects in normal working conditions.
- e) This warranty is void if the product has been used for rental purpose.
- f) This warranty does not cover the damage resulting from modification, alteration or unauthorized repair.



- g) This warranty only covers defects arising under normal usage and does not cover any malfunction, failure or defect resulting from misuse, abuse (including overloading of the product beyond capacity and immersion in water or other liquid), accidents, neglect or lack of proper installation, and improper maintenance or storage.
- h) This warranty does not cover normal deterioration of the exterior finish, including but not limited to scratches, dents, paint chips, or to any corrosion or discoloring by heat, abrasive and chemical cleaners.

## HOW TO OBTAIN SERVICE

For warranty service, please contact EGO customer service toll-free at **1-855-EGO-5656**. When requesting warranty service, you must present the original dated sales receipt. An authorized service center will be selected to repair the product according to the stated warranty terms. When bringing your product to the authorized service center, there may be a small deposit that will be required when dropping off your tool. This deposit is refundable when the repair service is deemed to be covered under warranty.

## ADDITIONAL LIMITATIONS

To the extent permitted by applicable law, all implied warranties, including warranties of MERCHANTABILITY or FITNESS FOR A PARTICULAR PURPOSE, are disclaimed. Any implied warranties, including warranties of merchantability or fitness for a particular purpose, that cannot be disclaimed under state law are limited to five years from the date of purchase for outdoor power equipment and three years from date of purchase for battery pack and charger.

Chervon North America is not responsible for direct, indirect, incidental or consequential damages.

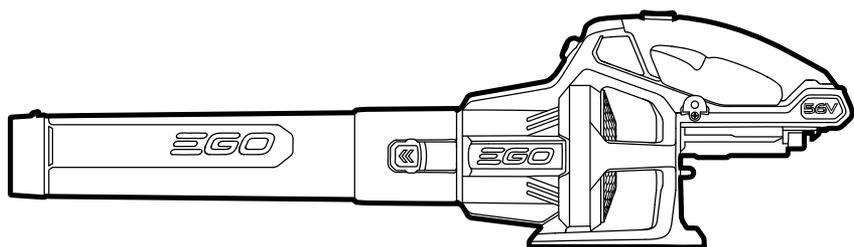
Some states do not allow limitations on how long an implied warranty lasts and/or do not allow the exclusion or limitation of incidental or consequential damages, so the above limitations may not apply to you.

This warranty gives you specific legal rights, and you may also have other rights which vary from state to state.

For customer service contact us toll-free at: **1-855-EGO-5656** or **EGOPOWERPLUS.COM**  
EGO Customer Service, 120 Ionia Street SW / Suite 102 Grand Rapids, MI 49503

# EGO™

POWER<sup>+</sup> BLOWER



GUIDE D'UTILISATION

# SOUFFLEUR SANS FIL À BLOC-PILE AU LITHIUM-ION DE 56 V

NUMÉRO DE MODÈLE LB5300/LB5300-FC

Avertissement : Le souffleur est conçu pour un usage résidentiel ou commercial.

**⚠ AVERTISSEMENT :** Afin de réduire les risques de blessure, l'utilisateur doit lire et comprendre le guide d'utilisation avant d'utiliser ce produit. Conservez le présent guide afin de pouvoir le consulter ultérieurement.

## **TABLE DES MATIÈRES**

Lignes directrices sur la sécurité .....	26
Consignes de sécurité importantes .....	27-33
Introduction .....	33-34
Caractéristiques .....	34
Assemblage .....	35-36
Description .....	37
Fonctionnement .....	38-41
Entretien .....	42
Dépannage .....	43
Garantie .....	44-45



# LISEZ TOUTES LES INSTRUCTIONS!



VOUS DEVEZ LIRE ET COMPRENDRE  
TOUTES LES INSTRUCTIONS DU GUIDE.

**⚠ AVERTISSEMENT :** La poussière créée par le ponçage, le sciage, le meulage, le perçage et autres activités de construction peut contenir des produits chimiques connus dans l'État de la Californie pour causer le cancer, des anomalies congénitales et des problèmes du système reproducteur. Voici des exemples de ces produits chimiques :

- Le plomb contenu dans la peinture au plomb;
- La silice cristallisée contenue dans les briques, le ciment et d'autres produits de maçonnerie;
- L'arsenic et le chrome contenus dans le bois d'œuvre traité avec des produits chimiques.

Les risques liés à l'exposition à ces produits varient en fonction de la fréquence à laquelle vous effectuez ce type de travail. Pour réduire votre exposition à ces produits chimiques, travaillez dans une zone bien ventilée et portez l'équipement de sécurité approuvé, comme les masques antipoussières conçus spécialement pour ne pas laisser passer les particules microscopiques.

# LIGNES DIRECTRICES SUR LA SÉCURITÉ

## SYMBOLES DE SÉCURITÉ

L'objectif des symboles de sécurité est d'attirer votre attention sur les dangers potentiels. Vous devez examiner attentivement et bien comprendre les symboles de sécurité et les explications qui les accompagnent. Les symboles d'avertissement n'éliminent pas le danger d'eux-mêmes. Les consignes et avertissements qu'ils donnent ne remplacent en aucun cas la prise de mesures préventives adéquates.

**⚠ AVERTISSEMENT :** Avant d'utiliser cet outil, veuillez à lire et à comprendre toutes les consignes de sécurité du guide d'utilisation, notamment tous les symboles d'alerte de sécurité comme « **DANGER** », « **AVERTISSEMENT** » et « **MISE EN GARDE** ». Le fait de ne pas respecter toutes les consignes ci-dessous peut occasionner un choc électrique, un incendie ou des blessures graves.

## MESSAGES D'INFORMATION ET DE PRÉVENTION DES DOMMAGES

Ces messages fournissent à l'utilisateur de l'information et des consignes importantes. Les ignorer pourrait occasionner des dommages à l'équipement ou d'autres dommages matériels. Le mot « AVERTISSEMENT » précède chaque message, comme dans l'exemple ci-dessous :

**AVERTISSEMENT :** Ne pas suivre ces consignes pourrait occasionner des dommages à l'équipement ou d'autres dommages matériels.



**⚠ AVERTISSEMENT :** Lors de l'utilisation de tout outil électrique, des corps étrangers peuvent être projetés dans les yeux et causer des lésions oculaires graves. Avant d'utiliser un outil électrique, veuillez à toujours porter des lunettes de protection couvrantes ou à écrans latéraux, ou un masque complet au besoin. Nous recommandons le port d'un masque de sécurité panoramique par-dessus les lunettes ou de lunettes de sécurité standard avec écrans latéraux. Portez toujours un équipement de protection des yeux conforme à la norme ANSI Z87.1.

# CONSIGNES DE SÉCURITÉ IMPORTANTES

Cette page illustre et décrit les symboles de sécurité qui peuvent être présents sur ce produit. Vous devez lire, comprendre et suivre toutes les instructions présentes sur l'appareil avant d'entamer son assemblage ou son utilisation.

	Alerte de sécurité	Précautions destinées à assurer votre sécurité.
	Lire le guide d'utilisation	Afin de réduire les risques de blessure, l'utilisateur doit lire et comprendre le guide d'utilisation avant d'utiliser ce produit.
	Cheveux longs	Veillez à garder les cheveux longs loin de l'entrée d'air pour éviter les blessures.
	Vêtements lâches	Empêchez les vêtements amples d'être aspirés dans l'entrée d'air pour éviter les blessures.
	Protection oculaire	Lorsque vous utilisez ce produit, veillez à toujours porter des lunettes de protection couvrantes ou à écrans latéraux, ou un masque complet.
	Tube du souffleur	Ne faites pas fonctionner cet appareil sans son tube.
	Maintenir toute personne à l'écart	Maintenez toute personne à une distance d'au moins 15 mètres.

	Symbole de recyclage	Ce produit fonctionne au moyen d'un bloc-pile au lithium-ion (Li-ion). La législation locale, provinciale ou fédérale peut interdire la mise au rebut des blocs-piles dans une poubelle ordinaire. Consultez l'organisme local en matière de déchets au sujet des options disponibles pour la mise au rebut ou le recyclage.
IPX4	Niveau de protection d'indice	Protection contre les projections d'eau
V	Volt	Tension
A	Ampère	Courant
Hz	Hertz	Fréquence (cycles par seconde)
W	Watt	Électricité
min	Minutes	Temps
m <sup>3</sup> /min.	Pieds cubes par minute	Débit d'air
Km/h	Kilomètres à l'heure	Vitesse de l'air
	Courant alternatif	Type de courant
	Courant continu	Type de courant ou caractéristique du courant
n <sub>0</sub>	Vitesse à vide	Vitesse de rotation à vide
... /min.	Par minute	Révolutions, courses, vitesse périphérique, tours, etc. par minute

En utilisant un appareil électrique, des précautions basiques doivent être suivies toujours, ça comprend le suivant :

## LISEZ TOUTES LES INSTRUCTIONS AVANT D'UTILISER CE PRODUIT!

**⚠ AVERTISSEMENT** : Pour assurer la sécurité et la fiabilité de l'appareil, toutes les réparations doivent être effectuées par un technicien en entretien et en réparation qualifié.

**⚠ AVERTISSEMENT** : Afin de réduire les risques d'incendie, de choc électrique et de blessures :

- **Familiarisez-vous avec votre souffleur. Lisez attentivement toutes les instructions du guide. Prenez connaissance des usages et des limites du souffleur, ainsi que des risques potentiels propres à ce souffleur.** En suivant cette règle, vous réduirez les risques de choc électrique, d'incendie et de blessures graves.
- **Le souffleur ne doit jamais être utilisé comme un jouet.** L'utilisation par des enfants ou à proximité de ceux-ci doit faire l'objet d'une attention particulière.
- **Utilisez cet appareil conformément aux consignes de ce guide. N'utilisez que des pièces recommandées par le fabricant.**
- **Si la soufflante ne marche pas comme elle doit, s'est fait tombée, est endommagée, laissée à l'extérieur, ou s'est fait tombée dans l'eau, rend-la au centre de service.**
- **Évitez de manipuler le chargeur, y compris la prise et les bornes du chargeur, avec des mains humides.**
- **N'introduisez aucun objet dans les ouvertures. Cessez l'emploi si une ouverture est bloquée. Assurez-vous que les ouvertures ne sont pas obstruées par de la poussière, des fibres, des cheveux ou toute autre matière qui pourrait réduire le débit d'air.**
- **Maintenez vos cheveux, vos vêtements, vos doigts et toute autre partie du corps à l'écart des ouvertures et des pièces mobiles.** Les vêtements, bijoux et cheveux longs peuvent être aspirés dans les entrées d'air.
- **Attachez vos cheveux plus haut que les épaules afin d'éviter qu'ils s'emmêlent dans les pièces mobiles.**
- **Faites preuve de vigilance lorsque vous utilisez cet appareil dans des escaliers.**
- **Évitez de charger le bloc-pile à l'extérieur.**
- **Rechargez le bloc-pile uniquement au moyen du chargeur fourni par le fabricant.**

- **Ne laissez pas le souffleur sans surveillance lorsque le bloc-pile est en place.** Retirez le bloc-pile lorsque le souffleur ne sert pas et avant d'en faire l'entretien.
- **Ne faites pas fonctionner le souffleur dans une atmosphère explosive, par exemple en présence de liquides inflammables, de gaz ou de poussières.** Les souffleurs provoquent des étincelles qui peuvent enflammer la poussière et les émanations.
- **Utilisez le souffleur à piles uniquement avec le bloc-pile expressément indiqué.** L'utilisation de tout autre bloc-pile peut constituer un risque d'incendie.
- Utilisez le produit uniquement avec les blocs-piles et les chargeurs indiqués ci-dessous.

BLOC-PILE	CHARGEUR
BA1120, BA1120-FC, BA1400, BA1400-FC, BA2240, BA2240-FC, BA2800, BA2800-FC, BA4200, BA4200-FC	CH2100, CH2100-FC, CH5500, CH5500-FC

- **Restez vigilant, soyez attentif à ce que vous faites et faites preuve de bon sens lorsque vous utilisez un souffleur électrique. N'utilisez pas le souffleur si vous êtes fatigué, troublé ou sous l'influence de drogues, d'alcool ou de médicaments.** Un moment d'inattention lorsque vous utilisez le souffleur peut occasionner des blessures graves.
- **Évitez les mises en marche accidentelles. Veillez à ce que l'interrupteur soit bloqué ou en position d'arrêt avant d'insérer le bloc-pile dans l'appareil.** Transporter un souffleur en ayant le doigt sur l'interrupteur ou y insérer un bloc-pile avec l'interrupteur en position de marche est propice aux accidents.
- **Portez de l'équipement de sécurité. Portez toujours un équipement de protection oculaire.** Le port d'un masque antipoussières, de chaussures de protection antidérapantes ou de protecteurs auriculaires est de rigueur pour assurer des conditions adéquates d'utilisation.
- **N'utilisez pas ce produit alors que vous êtes sur une échelle, sur un toit, dans un arbre ou sur tout autre support instable.** Un équilibre et une surface stables permettent de mieux contrôler le souffleur en cas de situations inattendues.

- **Soyez toujours conscient de l'emplacement de vos pieds, de vos enfants et de vos animaux de compagnie lorsque vous retirez le bloc-pile du souffleur. La chute du bloc-pile pourrait occasionner des blessures graves. Ne retirez JAMAIS le bloc-pile lorsque vous vous trouvez dans une position surélevée.**
- **N'utilisez pas le souffleur si l'interrupteur ne permet pas de le mettre en marche ou de l'arrêter.** Tout souffleur qui ne peut être contrôlé au moyen de l'interrupteur est dangereux et doit être réparé.
- **Retirez le bloc-pile du souffleur avant de procéder à des ajustements, de changer d'accessoire ou de ranger l'appareil.** De telles mesures de sécurité préventives réduisent les risques de mise en marche accidentelle du souffleur.
- **Mettez toutes les commandes à la position d'arrêt avant de retirer le bloc-pile de l'appareil.**
- **NE TENTEZ PAS** de dégager ce qui obstrue l'appareil sans avoir d'abord retiré le bloc-pile.
- **Vérifiez l'alignement des pièces mobiles, leur fixation et leur état et recherchez tout autre problème pouvant nuire au fonctionnement du souffleur. Si le souffleur est endommagé, faites-le réparer avant de l'utiliser.** Bon nombre d'accidents sont dus au mauvais entretien du souffleur.
- **Maintenez le souffleur et ses poignées secs, propres et exempts d'huile ou de graisse. Servez-vous toujours d'un linge propre pour nettoyer l'appareil. Ne nettoyez jamais l'appareil avec du liquide pour freins, de l'essence, des produits à base de pétrole ou des solvants forts. En suivant cette règle, vous réduirez les risques de perte de contrôle et de détérioration du boîtier en plastique de l'appareil.**
- **Portez toujours des lunettes de protection munies d'écrans latéraux. Les lentilles des lunettes ordinaires ne sont résistantes qu'aux chocs. Ce ne sont PAS des lunettes de sécurité. En suivant cette règle, vous réduirez les risques de blessures aux yeux.**
- **Lorsque vous utilisez cet appareil, portez systématiquement une protection oculaire munie d'écrans latéraux conforme à la norme ANSI Z87.1, ainsi que des protecteurs auriculaires.**
- **Protégez vos poumons. Portez un masque de protection ou un masque antipoussières lorsque l'endroit est poussiéreux.** En suivant cette règle, vous réduirez les risques de blessures graves.
- **Protégez vos oreilles. Portez des protecteurs auriculaires lorsque vous vous servez de l'appareil pour une période prolongée.** En suivant cette règle, vous réduirez les risques de blessures graves.

- **Les souffleurs à piles n'ont pas besoin d'être branchés sur une prise de courant. Par conséquent, ils sont toujours prêts à l'emploi. Prenez conscience des dangers potentiels lorsque vous ne vous servez pas du souffleur à piles ou au moment de changer les accessoires.** En suivant cette règle, vous réduirez les risques de choc électrique, d'incendie et de blessures graves.
- **Portez des pantalons longs et épais, des manches longues et des bottes. Évitez de porter des vêtements amples et des bijoux qui pourraient se coincer dans les pièces mobiles de l'appareil ou dans son moteur.**
- **N'utilisez pas cet appareil les pieds nus, avec des sandales ou avec tout autre type de chaussures légères.** Portez des chaussures de sécurité qui protégeront vos pieds et amélioreront votre stabilité sur les surfaces glissantes.
- **N'incinerez pas l'appareil, même s'il est sérieusement endommagé.** Les piles risquent d'exploser si elles sont en contact avec le feu.
- **Les piles peuvent exploser en présence d'une source d'inflammation, comme une flamme pilote.** Pour réduire les risques de blessures graves, n'utilisez jamais un appareil sans fil près d'une flamme nue. Lorsqu'une pile explose, des débris et des produits chimiques en sont expulsés. En cas d'exposition, rincez à l'eau immédiatement.
- **Conservez une stabilité et un équilibre adéquats. Ne tendez pas les bras trop loin.** Un étirement exagéré pourrait vous faire perdre l'équilibre.
- **Avant chaque utilisation, vérifiez l'état de l'aire de travail.** Enlevez tous les objets, comme les cailloux, éclats de verre, clous, câbles ou fils, qui pourraient être projetés par l'appareil ou y rester coincés.
- **Ne dirigez pas le tube du souffleur vers les gens ou les animaux.**
- **Ne faites jamais fonctionner l'appareil sans les accessoires adéquats.** Assurez-vous toujours que le tube du souffleur est bien installé.
- **Lorsqu'il ne sert pas, le souffleur doit être rangé à l'intérieur dans un endroit sec et sécuritaire hors de portée des enfants.**
- **Maintenez les gens, enfants et animaux à une distance d'au moins 15 mètres.**
- **La réparation et l'entretien du souffleur doivent être effectués par un réparateur qualifié.** L'exécution de l'entretien et des réparations par une personne non qualifiée peut entraîner des risques de blessures.



- **Lorsque vous procédez à l'entretien de l'outil, utilisez uniquement des pièces de remplacement identiques à celles d'origine.** Suivez les instructions dans la section sur l'entretien de ce guide. L'utilisation de pièces non autorisées et le non-respect des instructions d'entretien peuvent entraîner des risques de choc et de blessures.
- **N'utilisez jamais le souffleur près d'un feu ou de cendres chaudes.** Un usage à proximité d'un feu ou de cendres risque de propager les flammes et d'occasionner des blessures graves et des dommages.
- **Ne vous servez jamais du souffleur pour disperser des produits chimiques, des engrais ou toute autre substance toxique.** La dispersion de ces substances pourrait causer des blessures graves à l'utilisateur et aux gens à proximité.
- **Ne placez jamais le souffleur sur une surface qui n'est pas propre et solide lorsque le moteur tourne.** Du gravier, du sable et d'autres débris risquent d'être aspirés dans l'entrée d'air et propulsés vers l'utilisateur et les gens à proximité et de leur causer des blessures graves.
- **N'exposez pas un bloc-piles ou un appareil à un feu ou à une température excessive.** L'exposition au feu ou à une température supérieure à 100 °C (212 °F) peut provoquer une explosion.
- **Conservez ces instructions.** Consultez-les régulièrement et servez-vous-en pour expliquer le fonctionnement de l'outil à d'autres personnes qui l'utiliseraient. Si vous prêtez cet outil à quelqu'un, prêtez-lui également ces instructions afin de prévenir un usage inapproprié du produit et des blessures potentielles.

## CONSERVEZ CES INSTRUCTIONS!

## INTRODUCTION

Nous vous félicitons d'avoir choisi le nouveau souffleur au lithium-ion de 56 V. Cet outil a été conçu et fabriqué afin de vous offrir la meilleure fiabilité et le meilleur rendement possible.

Si vous éprouvez un problème que vous n'arrivez pas à régler facilement, veuillez communiquer avec le centre de service à la clientèle d'EGO au 1 855 EGO-5656.

Le présent guide contient des renseignements importants pour assembler, utiliser et entretenir en toute sécurité votre produit. Lisez-le soigneusement avant d'utiliser le produit. Conservez ce guide à portée de main afin de pouvoir le consulter à tout moment.

NUMÉRO DE SÉRIE \_\_\_\_\_ DATE D'ACHAT \_\_\_\_\_  
NOUS VOUS RECOMMANDONS DE NOTER LE NUMÉRO DE SÉRIE ET LA DATE D'ACHAT ET DE LES CONSERVER EN LIEU SÛR AFIN DE POUVOIR LES CONSULTER ULTÉRIEUREMENT.

## CARACTÉRISTIQUES

Tension	CC de 56 V
Vitesse à vide	Amplifiée : 23000 tours/min
	Élevée : 18000 tours/min
	Basse : 10000 tours/min
Débit d'air	Amplifié : 15 m <sup>3</sup> /min
	Élevé : 11,3 m <sup>3</sup> /min
	Basse : 7,4 m <sup>3</sup> /min
Vitesse de l'air	Amplifiée : 177 km/h
	Élevée : 136,8 km/h
	Basse : 80,5 km/h
Durée de fonctionnement approximatif (avec une pile EGO BA1400/BA1400-FC de 56 V et de 2,5 Ah)	10 minutes (vitesse amplifiée)
	22 minutes (vitesse élevée)
	75 minutes (basse vitesse)
Température de fonctionnement recommandée	-15°C-40°C(5°F-104°F)
Température de stockage recommandée	-20°C-70°C(-4°F-158°F)
Poids du souffleur (sans le bloc-pile, avec le tube)	4,81 lb. (2,18 kg)

## ASSEMBLAGE

**⚠ AVERTISSEMENT :** S'il y a des pièces manquantes ou endommagées, ne tentez pas d'utiliser ce produit tant que ces pièces n'auront pas été remplacées. L'utilisation de ce produit avec des pièces endommagées ou manquantes peut occasionner des blessures graves.

**⚠ AVERTISSEMENT :** Ne tentez pas de modifier ce produit ni de créer des accessoires qui ne sont pas recommandés pour ce souffleur. Toute altération ou modification de ce type constitue un usage inapproprié et peut engendrer une situation dangereuse susceptible de causer des blessures graves.

## DÉBALLAGE

- Retirez soigneusement le produit et tous les accessoires de la boîte. Assurez-vous que tous les éléments mentionnés sur la liste des pièces sont présents.

**⚠ AVERTISSEMENT :** N'utilisez pas ce produit si l'une ou l'autre des pièces figurant sur la liste des pièces est déjà assemblée à votre produit lors du déballage. Les pièces de cette liste ne sont pas assemblées au produit par le fabricant et doivent être installées par le client. L'utilisation d'un produit mal assemblé pourrait occasionner des blessures graves.

- Inspectez l'outil soigneusement pour vérifier qu'aucun bris ou dommage ne s'est produit au cours de l'expédition.
- Ne jetez pas le matériel d'emballage avant d'avoir inspecté soigneusement l'outil et de l'avoir fait fonctionner de manière satisfaisante.
- S'il y a des pièces manquantes ou endommagées, veuillez retourner le produit à l'endroit où vous l'avez acheté.

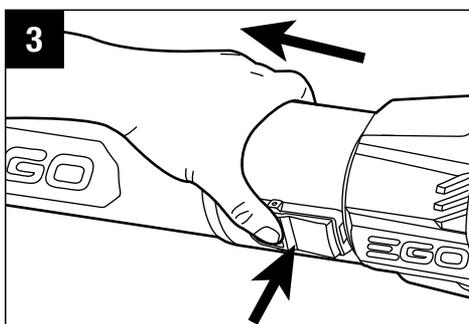
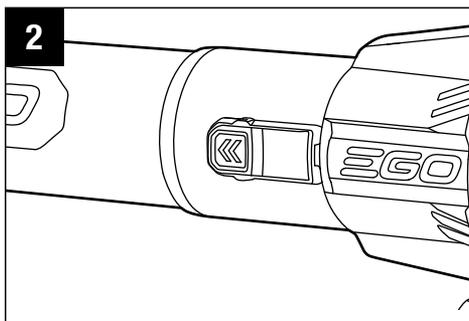
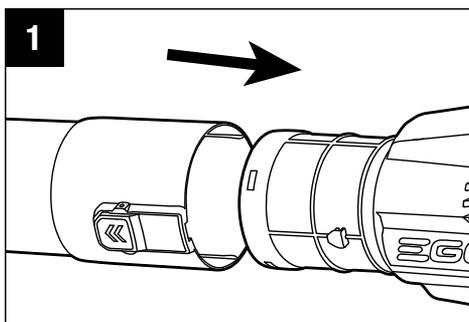
## LISTE DES PIÈCES

NOM DE LA PIÈCE	QUANTITÉ
Souffleur	1
Tube du souffleur	1
Guide d'utilisation	1

## ASSEMBLAGE DU TUBE DU SOUFFLEUR

**⚠ AVERTISSEMENT :** Pour empêcher une mise en marche accidentelle pouvant occasionner des blessures graves, retirez toujours le bloc-pile de l'outil avant d'assembler des pièces.

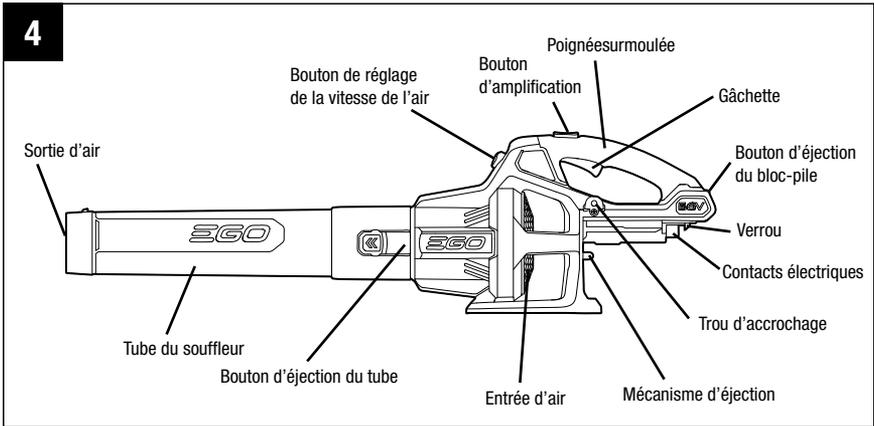
1. Alignez l'encoche du tube sur le bouton situé sur le boîtier du souffleur. Insérez le tube dans le boîtier du souffleur jusqu'à ce que le verrou s'enclenche (fig. 1 et 2).
2. Pour retirer le tube, appuyez sur le bouton d'éjection du tube et maintenez-le enfoncé; celui-ci se dégagera du verrou. Retirez ensuite le tube du souffleur en le tenant bien droit (fig. 3).



# DESCRIPTION

## FAMILIARISEZ-VOUS AVEC LE SOUFFLEUR (figure 4)

Pour utiliser ce produit en toute sécurité, il est nécessaire de bien comprendre les renseignements contenus dans ce guide d'utilisation, ainsi que la nature du projet que vous entreprenez. Avant d'utiliser ce produit, familiarisez-vous avec toutes les caractéristiques de fonctionnement et règles de sécurité.



Gâchette	Met en marche et arrête le souffleur.
Bouton d'amplification	Amplifie la vitesse de l'air au maximum, quelle que soit la position du bouton de réglage.
Bouton de réglage de la vitesse de l'air	Augmente ou réduit la vitesse de l'air du souffleur.
Bouton d'éjection du bloc-pile	Permet de dégager le bloc-pile du souffleur.
Verrou	Permet de bloquer le bloc-pile en place lorsque celui-ci est installé dans le souffleur.
Support de bandoulière	Permet de fixer une bandoulière à l'appareil.
Poignée surmoulée	Poignée ergonomique surmoulée améliorant le confort et la prise.

## FONCTIONNEMENT

**⚠ AVERTISSEMENT :** Ne laissez pas votre bonne connaissance du produit vous rendre négligent. N'oubliez pas qu'une fraction de seconde d'inattention suffit à occasionner des blessures graves.

**⚠ AVERTISSEMENT :** Portez systématiquement une protection oculaire avec écrans latéraux conforme à la norme ANSI Z87.1, ainsi qu'une protection auriculaire. Le non-respect de cette règle peut avoir pour conséquence la projection d'objets dans vos yeux et des risques de blessures graves.

**⚠ AVERTISSEMENT :** N'utilisez pas de pièces ou d'accessoires non recommandés par le fabricant de ce produit. L'utilisation de pièces ou d'accessoires non recommandés peut occasionner des blessures graves.

Avant chaque utilisation, inspectez l'intégralité du produit pour vérifier s'il y a des pièces endommagées, manquantes ou lâches, comme des vis, des boulons, des écrous, des capuchons, etc. Fixez fermement toutes les attaches et tous les capuchons et ne faites pas fonctionner ce produit avant que toutes les pièces manquantes ou endommagées aient été remplacées.

## UTILISATION

Vous pouvez utiliser ce produit pour les types de travaux listés ci-dessous :

- Déblayer les surfaces dures comme les entrées de cour et les trottoirs;
- Enlever les feuilles et les aiguilles de pin des terrasses et des entrées de cour.

## INSTALLATION ET RETRAIT DU BLOC-PILE (figure 5)

### CHARGEZ LE BLOC-PILE AVANT LE PREMIER EMPLOI.

**⚠ AVERTISSEMENT :** Enlevez toujours le bloc-pile de l'outil lorsque vous assemblez des pièces, procédez à des ajustements ou à son nettoyage ou lorsque l'article n'est pas utilisé. Le retrait du bloc-pile permet de prévenir une mise en marche accidentelle pouvant occasionner des blessures graves.

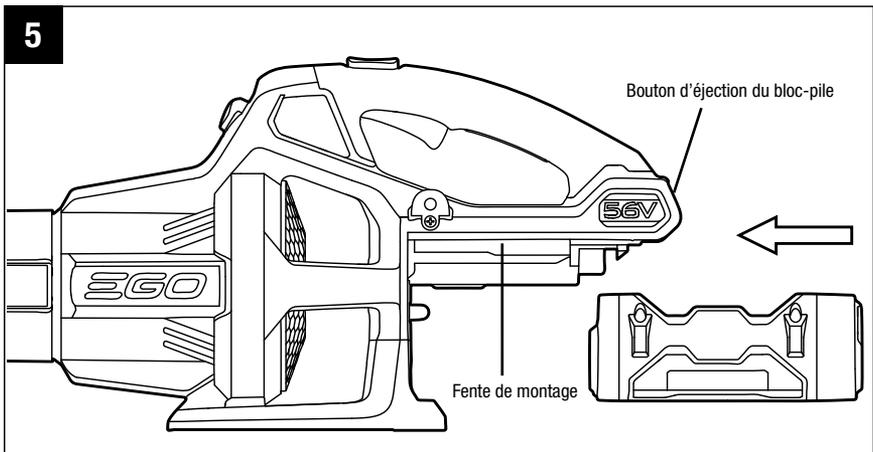
### INSTALLATION

- Alignez les nervures du bloc-pile sur les fentes de montage situées dans le port du bloc-pile du souffleur.
- Appuyez sur le bloc-pile jusqu'à ce qu'il s'enclenche en position.

### RETRAIT

**⚠ AVERTISSEMENT :** Soyez toujours conscient de l'emplacement de vos pieds, de vos enfants et de vos animaux de compagnie lorsque vous appuyez sur le bouton d'éjection du bloc-pile. La chute du bloc-pile pourrait occasionner des blessures graves. Ne retirez JAMAIS le bloc-pile lorsque vous vous trouvez dans une position surélevée.

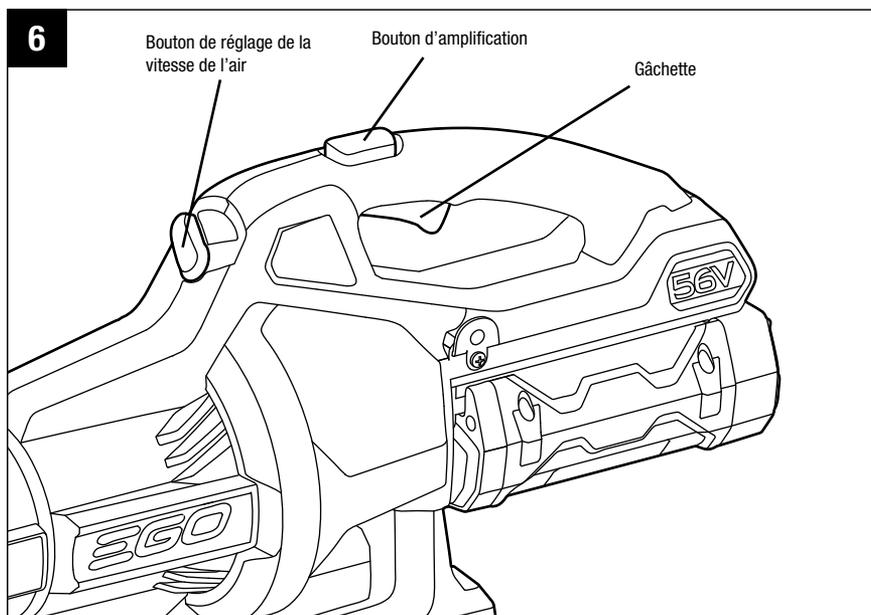
- Appuyez sur le bouton d'éjection du bloc-pile; celui-ci se dégagera du verrou et le mécanisme d'éjection en facilitera le retrait.
- Retirez le bloc-pile du souffleur.



## MISE EN MARCHÉ ET ARRÊT DU SOUFFLEUR (figure 6)

- Pour faire fonctionner le souffleur, pressez la gâchette. Le souffleur se mettra en marche.
- Pour arrêter le souffleur, relâchez la gâchette.

## RÉGLAGE DE LA VITESSE DE L'AIR (figure 6)



Le souffleur est équipé d'un dispositif de réglage continu de la vitesse qui contrôle la vitesse de l'air.

Pour augmenter la vitesse de l'air, tournez le bouton de réglage de la vitesse de l'air dans le sens des aiguilles d'une montre tandis que le souffleur est en marche. Pour la réduire, tournez le bouton dans le sens contraire des aiguilles d'une montre.

Pour amplifier davantage la vitesse de l'air, appuyez sur le bouton d'amplification pour augmenter temporairement la vitesse au maximum. Le souffleur reviendra à sa vitesse initiale lorsque vous relâcherez le bouton.



## FONCTIONNEMENT DU SOUFFLEUR

- Pour éviter de disperser les débris, soufflez le pourtour de la pile de débris. Ne dirigez jamais le souffleur directement au centre de la pile.
- Pour réduire les niveaux sonores, limitez le nombre de pièces d'équipement utilisées simultanément.
- Servez-vous de râtaeux et de balais pour décompacter les débris avant de les souffler. Dans les endroits poussiéreux, humidifiez légèrement les surfaces si vous avez accès à de l'eau.
- Économisez l'eau en utilisant un souffleur électrique au lieu d'un tuyau d'arrosage pour effectuer bon nombre de tâches au parterre et au jardin, y compris pour le nettoyage des gouttières, moustiquaires, terrasses, grils, vérandas et jardins.
- Restez à l'affût des enfants, animaux, fenêtres ouvertes et voitures fraîchement lavées, et soufflez les débris à l'écart de façon sécuritaire.
- Suite à l'utilisation d'un souffleur ou de tout autre appareil, nettoyez-le! Jetez les débris de façon appropriée.

## ENTRETIEN

**⚠ AVERTISSEMENT** : Lorsque vous procédez à l'entretien de l'outil, utilisez uniquement des pièces de remplacement identiques à celles d'origine. L'utilisation de toute autre pièce peut constituer un danger ou endommager le produit. Pour assurer la sécurité et la fiabilité de l'appareil, toutes les réparations doivent être effectuées par un technicien en entretien et en réparation qualifié.

**⚠ AVERTISSEMENT** : Pour éviter des blessures graves, retirez toujours le bloc-pile avant de procéder à l'entretien ou au nettoyage de l'outil.

### ENTRETIEN GÉNÉRAL

Évitez d'utiliser des solvants sur les pièces en plastique. La plupart des plastiques sont susceptibles d'être endommagés par divers types de solvants commerciaux. Utilisez un linge propre pour enlever la saleté, la poussière, l'huile, la graisse, etc.

**⚠ AVERTISSEMENT** : Ne laissez en aucun temps du liquide pour freins, de l'essence, des produits à base de pétrole, des huiles dégrippantes et autres produits de ce genre entrer en contact avec les pièces en plastique. Les produits chimiques peuvent endommager, affaiblir ou détruire le plastique et poser ainsi des risques de blessures graves.

### RANGEMENT

- Nettoyez toute matière étrangère des entrées d'air du souffleur.
- Rangez le souffleur à l'intérieur, dans un endroit auquel les enfants n'ont pas accès. Rangez-le à l'écart des agents corrosifs, comme des produits chimiques de jardinage ou des sels de déglacage.

# DÉPANNAGE

PROBLÈME	CAUSE	SOLUTION
Le souffleur ne fonctionne pas.	<ul style="list-style-type: none"> <li>■ Le bloc-pile n'est pas installé dans le souffleur.</li> <li>■ Il n'y a pas de contact électrique entre le souffleur et le bloc-pile.</li> <li>■ Le bloc-pile est déchargé.</li> <li>■ Le bloc-pile ou le souffleur est trop chaud.</li> </ul>	<ul style="list-style-type: none"> <li>■ Installez le bloc-pile dans le souffleur.</li> <li>■ Enlevez le bloc-pile, vérifiez les contacts et réinstallez le bloc-pile.</li> <li>■ Chargez le bloc-pile.</li> <li>■ Laissez le bloc-pile et le souffleur refroidir jusqu'à une température inférieure à 67 °C (152 °F).</li> </ul>
La vitesse de l'air diminue de façon évidente.	<ul style="list-style-type: none"> <li>■ Usure excessive du ventilateur du moteur.</li> <li>■ Des débris obstruent l'entrée d'air.</li> </ul>	<ul style="list-style-type: none"> <li>■ Communiquez avec le centre de services d'EGO pour faire réparer l'appareil.</li> <li>■ Retirez le bloc-pile du souffleur, puis enlevez les débris.</li> </ul>

# GARANTIE

## POLITIQUE D'EGO EN MATIÈRE DE GARANTIE

Une garantie limitée de 5 ans est offerte pour l'équipement électrique d'extérieur EGO et une garantie limitée de 3 ans est offerte pour les chargeurs et les blocs-piles EGO POWER+.

**Veillez communiquer avec le service à la clientèle d'EGO au 1 855 EGO-5656 (numéro sans frais)** pour toute question sur les réclamations au titre de la garantie.

### GARANTIE LIMITÉE

À compter de la date d'achat originale, ce produit EGO est garanti **PENDANT CINQ ANS** contre les défauts de matériaux et de fabrication. Les produits défectueux seront réparés gratuitement.

À compter de la date d'achat originale, le chargeur et le bloc-pile EGO POWER+ sont garantis **PENDANT TROIS ANS** contre les défauts de matériaux et de fabrication. Les produits défectueux seront réparés gratuitement.

- a) Cette garantie s'applique uniquement à l'acheteur initial s'étant procuré le produit chez un détaillant EGO autorisé et est non transférable. La liste des détaillants EGO autorisés est publiée en ligne sur le site <http://egopowerplus.com/pages/warranty-policy>.
- b) La période de garantie pour le bloc-pile, le chargeur ou tout produit EGO utilisés à des fins industrielles, professionnelles ou commerciales est de un an.
- c) La période de garantie pour les produits remis en état ou remis à neuf utilisés à des fins résidentielles est de 1 an, et de 90 jours lorsqu'ils sont utilisés à des fins industrielles, professionnelles ou commerciales.
- d) La période de garantie pour les pièces d'entretien régulier, y compris, sans s'y limiter, les lames, les têtes de taille-bordure, les guides-chaînes, les chaînes de scie, les courroies, les barres de raclage, les buses de souffleur, ainsi que tous les autres accessoires EGO, est de 90 jours lorsqu'elles sont utilisées à des fins résidentielles et de 30 jours lorsqu'elles sont utilisées à des fins industrielles, professionnelles ou commerciales. Ces pièces sont couvertes contre les défauts de fabrication pour une période de 90 jours ou de 30 jours si elles sont utilisées dans des conditions de travail normales.

- e) La présente garantie n'est pas valide si le produit a été utilisé aux fins de location.
- f) La présente garantie ne couvre pas les dommages résultant d'une modification, d'une altération ou d'une réparation non autorisée.
- g) Cette garantie couvre uniquement les défauts survenant dans des conditions normales d'utilisation et ne couvre aucun dysfonctionnement ou défaut ni aucune défaillance découlant d'un usage inapproprié ou abusif (notamment la surcharge du produit et son immersion dans l'eau ou dans tout autre liquide), d'un accident, d'une négligence, d'une installation inadéquate et de tout entretien ou entreposage inadéquat.
- h) La présente garantie ne couvre pas la détérioration normale du fini extérieur, notamment les rayures, les bosselures, les craquelures de la peinture ou toute corrosion ou décoloration résultant de la chaleur, de produits abrasifs ou de nettoyants chimiques.

## RECLAMATION AU TITRE DE LA GARANTIE

Pour faire une réclamation au titre de la garantie, veuillez communiquer avec le service à la clientèle d'EGO au **1 855 EGO-5656** (numéro sans frais). Lorsque vous faites une réclamation au titre de la garantie, vous devez présenter le reçu de vente original. Un centre de service autorisé sera sélectionné pour la réparation du produit conformément aux conditions de garantie prescrites. Il se peut qu'un petit dépôt soit exigé lorsque vous laissez votre outil dans un centre de service autorisé. Ce dépôt est remboursable lorsque le service de réparation est considéré comme étant couvert par la garantie.

## RESTRICTIONS SUPPLÉMENTAIRES

Dans les limites prescrites par la législation locale, toutes les garanties implicites, notamment les garanties de QUALITÉ MARCHANDE ou d'ADÉQUATION POUR UN USAGE PARTICULIER, sont non valides. Toute garantie implicite, notamment les garanties de qualité marchande ou d'adéquation pour un usage particulier, qui ne peut être déclinée en vertu de la législation provinciale est limitée à cinq (5) ans à compter de la date d'achat pour l'équipement électrique d'extérieur et à trois (3) ans à compter de la date d'achat pour les chargeurs et blocs-piles.

Chervon North America n'est pas responsable des dommages accessoires, consécutifs, indirects ou directs.

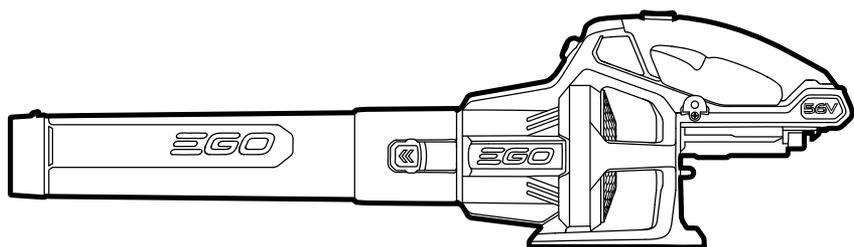
Certaines provinces et certains États n'autorisent pas les restrictions de durée de garantie implicite, ou l'exclusion ou la restriction des dommages consécutifs et accessoires; c'est pourquoi les restrictions ci-dessus peuvent ne pas s'appliquer à votre cas.

Cette garantie vous confère des droits précis. Il est possible que vous disposiez également d'autres droits, qui varient d'un État ou d'une province à l'autre.

Pour communiquer avec le service à la clientèle, veuillez composer le numéro sans frais suivant : **1 855 EGO-5656**. Vous pouvez également consulter le site **EGOPOWERPLUS.COM** ou écrire à EGO Customer Service, 120 Ionia Street SW, Suite 102, Grand Rapids, MI 49503, États-Unis.

# EGO™

POWER<sup>+</sup> BLOWER



MANUAL DE FUNCIONAMIENTO

# SOPLADOR INALÁMBRICO DE IONES DE LITIO DE 56 VOLTIOS

MODELO NÚMERO LB5300/LB5300-FC

**Aviso:** La sopladora está hecha para el uso doméstico o comercial.

**⚠ ADVERTENCIA:** Para reducir el riesgo de lesiones, el usuario debe leer y comprender el Manual del usuario antes de usar este producto. Guarde estas instrucciones para referencia futura.

# ÍNDICE

Pautas de seguridad .....	50
Instrucciones importantes de seguridad .....	51-56
Introducción .....	57
Especificaciones .....	58
Ensamblaje .....	59-60
Descripción .....	61
Funcionamiento .....	62-65
Mantenimiento .....	66
Solución de problemas .....	67
Garantía .....	68-69



# LEA TODAS LAS INSTRUCCIONES



LEA Y COMPRENDA EL  
MANUAL DE INSTRUCCIONES

**⚠ ADVERTENCIA:** Parte del polvo producto del lijado, aserrado, esmerilado, taladrado y otras actividades de construcción contiene químicos reconocidos por el estado de California como causantes de cáncer, defectos congénitos u otros daños en el aparato reproductivo. Algunos ejemplos de estos químicos son:

- Plomo de pinturas a base de plomo.
- Sílice cristalina de ladrillos, cemento y otros productos de mampostería.
- Arsénico y cromo de maderas tratadas químicamente.

El riesgo por estas exposiciones varía según la frecuencia con la que realice este tipo de trabajo. Medidas para reducir la exposición a estos químicos: Trabaje en un área bien ventilada y con el equipo de seguridad aprobado, como mascarillas antipolvo especialmente diseñadas para filtrar partículas microscópicas.

# PAUTAS DE SEGURIDAD

## SÍMBOLOS DE SEGURIDAD

Estos símbolos de seguridad se utilizan para advertirle sobre los posibles peligros. Los símbolos de seguridad y las explicaciones que los acompañan merecen cuidadosa atención y comprensión. Por sí solos, los símbolos de advertencia no eliminan los peligros. Las instrucciones y advertencias que proporcionan no reemplazan a las medidas adecuadas de prevención de accidentes.

**⚠ ADVERTENCIA:** Antes de utilizar esta herramienta, asegúrese de leer y comprender todas las instrucciones de seguridad en este Manual del usuario, incluidos todos los símbolos de alerta de seguridad como **“PELIGRO”**, **“ADVERTENCIA”** y **“PRECAUCIÓN”**. Si no se siguen todas las instrucciones que se indican a continuación, se pueden producir descargas eléctricas, incendios o lesiones personales graves.

## PREVENCIÓN DE DAÑOS Y MENSAJES DE INFORMACIÓN

Estos entregan al usuario información importante o instrucciones que, si no se siguen, podrían ocasionar daños al equipo o a la propiedad. Cada mensaje está precedido por la palabra **“AVISO”**, como en el siguiente ejemplo:

**AVISO:** Se pueden producir daños al equipo o a la propiedad si no se siguen estas instrucciones.



**⚠ ADVERTENCIA:** El funcionamiento de cualquier herramienta eléctrica puede causar que se disparen objetos extraños hacia sus ojos, lo que puede resultar en daños graves en los ojos. Antes de comenzar a operar una herramienta eléctrica, use siempre gafas protectoras o anteojos de seguridad con protección lateral y un protector facial si es necesario. Le recomendamos usar una máscara de seguridad de visión amplia sobre anteojos o anteojos de seguridad estándar con protección lateral. Use siempre protección ocular con la marca de cumplimiento de la norma ANSI Z87.1.

# INSTRUCCIONES IMPORTANTES DE SEGURIDAD

Esta página presenta y describe los símbolos de seguridad que pueden aparecer en este producto. Lea, comprenda y siga todas las instrucciones que figuran en la máquina antes de intentar ensamblarla y operarla.

	Alerta de seguridad	Precauciones que involucran su seguridad.
	Lea el Manual del usuario	Para reducir el riesgo de lesiones, el usuario debe leer y comprender el Manual del usuario antes de usar este producto.
	Cabello largo	No alejar el cabello largo de la entrada de aire podría provocar lesiones personales.
	Ropa holgada	No evitar que la ropa holgada sea atraída hacia la toma de aire podría tener como consecuencia lesiones personales.
	Protección ocular	Use siempre gafas protectoras o anteojos de seguridad con protección lateral y un protector facial al operar este producto.
	Tubo del soplador	No opere si el tubo no está en su lugar.
	Mantenga alejados a los transeúntes	Mantenga a todos los transeúntes a al menos 15,24 m de distancia.

	<p>Símbolos de reciclaje</p>	<p>Este producto usa baterías de iones de litio (litio-ión). Las leyes locales, estatales o federales pueden prohibir que las baterías se desechen junto con la basura normal. Consulte con la autoridad de residuos local para obtener información acerca de las opciones de reciclaje o de desecho disponibles.</p>
<p>IPX4</p>	<p>Nivel de Protección del Ingreso</p>	<p>Protección contra salpicaduras de agua</p>
<p>V</p>	<p>Voltio</p>	<p>Voltaje</p>
<p>A</p>	<p>Amperios</p>	<p>Corriente</p>
<p>Hz</p>	<p>Hertz</p>	<p>Frecuencia (ciclos por segundo)</p>
<p>W</p>	<p>Vatio</p>	<p>Potencia</p>
<p>min</p>	<p>Minutos</p>	<p>Tiempo</p>
<p>m<sup>3</sup>/min.</p>	<p>metros cúbicos por minuto</p>	<p>Volumen de aire</p>
<p>Km/h</p>	<p>kilómetros por hora</p>	<p>Velocidad del aire</p>
	<p>Corriente alterna</p>	<p>Tipo de corriente</p>
	<p>Corriente continua</p>	<p>Tipo o característica de la corriente</p>
<p>n<sub>0</sub></p>	<p>Velocidad sin carga</p>	<p>Velocidad de rotación, sin carga</p>
<p>... /min.</p>	<p>Por minuto</p>	<p>Revoluciones, golpes, velocidad de superficie, órbitas, etc. por minuto</p>

Cuando esta usando un electrodoméstico, las precauciones básicas siempre deben estar seguidas, incluso lo siguiente:

## LEA TODAS LAS INSTRUCCIONES ANTES DE USAR ESTE PRODUCTO.

**⚠ ADVERTENCIA:** Para garantizar la seguridad y fiabilidad, todas las reparaciones las debe realizar un técnico calificado.

**⚠ ADVERTENCIA:** Para reducir el riesgo de incendio, descargas eléctricas o lesiones:

- **Conozca el soplador eléctrico. Lea el Manual de instrucciones detalladamente. Aprenda las aplicaciones y las limitaciones del soplador, al igual que los peligros potenciales específicos relacionados con este soplador.** Si sigue esta regla, reducirá el riesgo de descargas eléctricas, incendio o lesiones graves.
- **No permita que se use el soplador como un juguete.** Se requiere suma atención cuando lo usan niños o se usa cerca de ellos.
- **Use solo como se describe en este manual. Use solo los aditamentos recomendados del fabricante.**
- **Si la sopladora no funciona como deba, se cayó, tiene daños, se deje al aire libre, o se cayó en agua, regresela al centro de servicio.**
- **No manipule el cargador, incluidos el enchufe o los terminales del cargador, con las manos húmedas.**
- **No introduzca ningún objeto en las aberturas. No use con ninguna abertura bloqueada; mantenga las aberturas libres de polvo, pelusas, cabello y cualquier objeto que reduzca el flujo de aire.**
- **Mantenga el cabello, la ropa holgada, los dedos y todas las partes del cuerpo alejadas de las aberturas y piezas móviles.** La ropa holgada, las joyas o el cabello largo pueden ser atraídos hacia las ventilaciones de aire.
- **Amárrese el cabello largo sobre el nivel de los hombros para evitar que se enrede en las piezas móviles.**
- **Tenga sumo cuidado al limpiar escaleras.**
- **No cargue el paquete de baterías en exteriores.**
- **Use solo el cargador que suministra el fabricante para recargar.**
- **No deje el soplador sin supervisión cuando la batería esté insertada.** Retire la batería cuando el soplador no esté en uso y antes de realizarle mantenimiento.
- **No opere sopladores en atmósferas explosivas, como en la presencia de líquidos, gases o polvo inflamables.** Los sopladores producen chispas que pueden encender el polvo o los gases.

- **Use el soplador a batería solo con el paquete de baterías específicamente diseñado.** El uso de cualquiera otra batería puede crear un riesgo de incendio.
- Use solo con los paquetes de baterías y los cargadores que se indican a continuación.

PAQUETES DE BATERÍAS	CARGADOR
BA1120, BA1120-FC, BA1400, BA1400-FC, BA2240, BA2240-FC, BA2800, BA2800-FC, BA4200, BA4200-FC	CH2100, CH2100-FC, CH5500, CH5500-FC

- **Manténgase alerta, concéntrese en lo que hace y use el sentido común al operar un soplador. No utilice el soplador si está cansado, enojado o bajo la influencia de las drogas, el alcohol o algún medicamento.** Un momento de falta de atención mientras opera un soplador puede provocar lesiones personales graves.
- **Evite los arranques accidentales. Asegúrese de que el interruptor esté en la posición de apagado o de bloqueo antes de insertar el paquete de baterías.** Transportar el soplador con el dedo en el interruptor o con el paquete de baterías insertado y el interruptor encendido puede provocar accidentes.
- **Use el equipo de manera segura. Use siempre lentes de protección.** Se deben usar mascarillas antipolvo, zapatos de seguridad antideslizantes, cascos duros o protección auditiva para las condiciones adecuadas.
- **No use en una escalera, tejado, árbol u otro soporte inestable.** Un punto de apoyo estable sobre una superficie sólida permite un mejor control del soplador en situaciones inesperadas.
- Siempre tenga cuidado con sus pies, los niños o las mascotas cuando retire el paquete de baterías del soplador. **Se podrían provocar lesiones graves si se cae el paquete de baterías. NUNCA retire el paquete de baterías cuando esté en una posición alta.**
- **No use el soplador si el interruptor no se enciende ni apaga.** Un soplador que no se puede controlar con el interruptor es peligroso y se debe reparar.
- **Desconecte el paquete de baterías del soplador antes de realizar ajustes, cambiar accesorios o almacenar el soplador.** Estas medidas preventivas de seguridad reducen el riesgo de arrancar accidentalmente el soplador.
- **Apague los controles antes de retirar la batería.**
- **NO** intente limpiar las obstrucciones de la unidad sin primero retirar la batería.

- **Compruebe que no haya desalineaciones ni obstáculos para las piezas móviles, que las piezas no estén rotas ni en ninguna otra condición que pueda afectar el funcionamiento del soplador. Si tiene daños, lleve el soplador para su mantenimiento antes de usarlo.** Muchos accidentes se producen debido a sopladores con mantenimiento deficiente.
- **Mantenga el soplador y su manija secos, limpios y libres de aceite y grasa.** Use siempre un paño limpio para limpiarlo. Nunca use líquido de frenos, gasolina, productos a base de petróleo ni ningún solvente fuerte para limpiar el soplador. Seguir esta regla reducirá el riesgo de pérdida de control y deterioro del plástico del compartimiento.
- **Use siempre anteojos de seguridad con protección lateral.** Los anteojos de uso diario solo cuentan con protección contra impactos. NO son anteojos de seguridad. Si sigue esta regla, reducirá el riesgo de lesiones oculares.
- **Siempre use protección ocular con protección lateral que cumpla con la norma ANSI Z87.1, junto con protección auditiva al operar este equipo.**
- **Proteja sus pulmones. Use una máscara o mascarilla antipolvo si el funcionamiento produce polvo.** Si sigue esta regla, reducirá el riesgo de lesiones personales graves.
- **Proteja su audición. Use protección auditiva durante períodos prolongados de funcionamiento.** Si sigue esta regla, reducirá el riesgo de lesiones personales graves.
- **Los sopladores a batería no necesitan estar conectados a un enchufe; por lo tanto, siempre se encuentran en condiciones de funcionar. Conozca los posibles peligros que existen cuando su soplador a baterías no está en uso o cuando cambia los accesorios.** Si sigue esta regla, reducirá el riesgo de descargas eléctricas, incendio o lesiones personales graves.
- **Use pantalones largos, mangas largas y botas.** Evite el vestuario holgado o joyas que pudiesen quedar atrapados en las piezas móviles de la máquina o su motor.
- **No opere el equipo descalzo o cuando use sandalias o calzado ligero similar.** Use calzado de protección que protegerá sus pies y mejorará su apoyo sobre superficies resbaladizas.
- **No incinere el electrodoméstico incluso si está muy dañado.** Las baterías pueden explotar en un incendio.
- **Las baterías pueden explotar en presencia de una fuente de ignición, como una llama piloto.** Para reducir el riesgo de lesiones personales graves, no use nunca ningún producto a batería en presencia de una llama expuesta. Una batería explotada puede liberar residuos y químicos. Si se ve expuesto a lo anterior, enjuáguese con agua inmediatamente.
- **Mantenga un punto de apoyo y equilibrio firmes. No se extienda demasiado, ya que podría perder el equilibrio.**

- **Revise el área de trabajo antes de cada uso.** Retire todos los objetos como rocas, vidrios rotos, clavos, alambres o cordeles que puedan ser arrojados por la máquina o quedar atrapados en ella.
- **No apunte el tubo del soplador en la dirección de las personas o de las mascotas.**
- **Nunca opere la unidad sin el equipo correcto conectado.** Asegúrese siempre de que el tubo del soplador esté instalado.
- **Cuando no esté en uso, el soplador debe guardarse en interiores en un lugar seco y seguro, fuera del alcance de los niños.**
- **Mantenga a los transeúntes, los niños y las mascotas a al menos 15,24 m de distancia.**
- **Solo el personal de reparaciones calificado debe realizar mantenimiento al soplador.** El servicio o el mantenimiento realizados por personal no calificado puede provocar riesgo de lesiones.
- **Al realizarle mantenimiento a un soplador, utilice solo piezas de repuesto idénticas.** Siga las instrucciones señaladas en la sección Mantenimiento de este manual. El uso de piezas no autorizadas o el incumplimiento de las instrucciones de mantenimiento puede generar un riesgo de descarga eléctrica o de lesiones.
- **Nunca use el soplador cerca del fuego o de cenizas calientes.** Su uso cerca del fuego o de cenizas calientes puede propagar el fuego y provocar lesiones graves o daños a la propiedad.
- **Nunca use el soplador para esparcir productos químicos, fertilizantes ni ninguna otra sustancia tóxica.** Esparcir estas sustancias podría provocar lesiones graves al operador o a los transeúntes.
- **Nunca coloque el soplador sobre una superficie, excepto que sea dura y esté limpia, cuando el motor esté en funcionamiento.** La gravilla, la arena y otros desechos pueden ingresar a la entrada de aire y ser arrojados hacia el operador o los transeúntes, lo que podría provocar lesiones graves.
- **No exponga el paquete de baterías ni el electrodoméstico al fuego o a una temperatura excesiva.** La exposición al fuego o a temperaturas por encima de los 100 °C (212 °F) podría causar una explosión.
- **Guarde estas instrucciones.** Consúltelas con frecuencia y úselas para instruir a otras personas que puedan usar esta herramienta. Si le presta esta herramienta a alguien, préstele también estas instrucciones para evitar el mal uso del producto y posibles lesiones.

**¡GUARDE ESTAS INSTRUCCIONES!**



# INTRODUCCIÓN

Felicitaciones por elegir el soplador eléctrico con batería de iones de litio de 56 voltios. Está pensada, diseñada y fabricada para brindarle el mejor rendimiento y confiabilidad posibles.

Si experimenta algún problema que no puede solucionar fácilmente, llame al 1-855-EGO-5656 para ponerse en contacto con el Centro de servicio al cliente de EGO.

Este manual contiene información importante para que tenga seguridad durante el ensamblaje, la operación y el mantenimiento de su producto. Léalo atentamente antes de usar el producto. Mantenga este manual a mano para poder consultarlo en cualquier momento.

NÚMERO DE SERIE \_\_\_\_\_ FECHA DE COMPRA \_\_\_\_\_

DEBE ANOTAR EL NÚMERO DE SERIE Y LA FECHA DE COMPRA Y CONSERVARLOS EN UN LUGAR SEGURO PARA CONSULTARLOS EN EL FUTURO.

## ESPECIFICACIONES

Voltaje	56 V de CC
Velocidad sin carga	Máxima: 23000 RPM
	Alta: 18000 RPM
	Baja: 10000 RPM
Volumen de aire	Máximo: 15 m <sup>3</sup> /min.
	Alto: 11,3 m <sup>3</sup> /min.
	Bajo: 7,4 m <sup>3</sup> /min.
Velocidad del aire	Máxima: 177 km/h
	Alta: 136,8 km/h
	Baja: 80,5 km/h
El tiempo de operación aproximado (con la batería EGO BA1400/BA1400-FC de 56 voltios y 2,5Ah)	10 min. (máx.)
	22 min. (alta velocidad)
	75 min. (baja velocidad)
Temperatura de funcionamiento recomendada	-15°C-40°C(5°F-104°F)
Temperatura de almacenamiento recomendada	-20°C-70°C(-4°F-158°F)
Peso del soplador (sin paquete de baterías, con tubo)	4,81 lb. (2,18 kg)

## ENSAMBLAJE

**⚠ ADVERTENCIA:** Si faltan piezas o estas están dañadas, no opere este producto hasta reemplazar dichas piezas. El uso de este producto con piezas dañadas o faltantes podría provocar lesiones personales graves.

**⚠ ADVERTENCIA:** No intente modificar este producto ni crear accesorios que no estén recomendados para usar con este soplador. Cualquier alteración o modificación de ese tipo representa mal uso y puede generar condiciones peligrosas que causen posibles lesiones personales graves.

## DESEMBALAJE

- Retire con cuidado el producto y cualquier accesorio de la caja. Asegúrese de que todos los elementos que aparecen en la lista del paquete estén incluidos.

**⚠ ADVERTENCIA:** No use este producto si cualquiera de las piezas de esta lista del paquete ya está ensamblada al producto cuando lo desembale. El fabricante no ensambla las piezas de esta lista al producto y se requiere la instalación del cliente. El uso de un producto que se haya ensamblado de manera incorrecta podría provocar lesiones personales graves.

- Inspeccione la herramienta con cuidado para asegurarse de que no se rompieron o dañaron piezas durante el envío.
- No deseche el embalaje hasta que no haya inspeccionado cuidadosamente la herramienta y sepa que funciona correctamente.
- Si hay alguna pieza dañada o faltante, devuelva el producto al lugar donde lo compró.

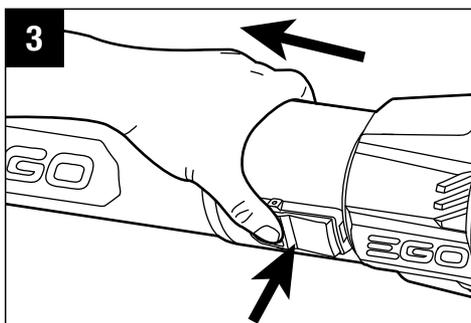
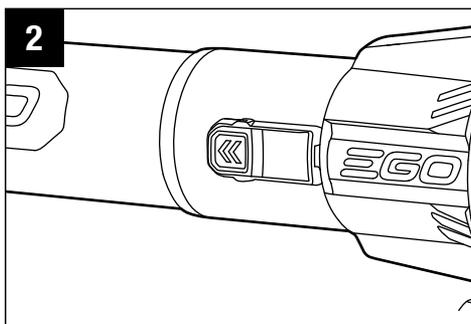
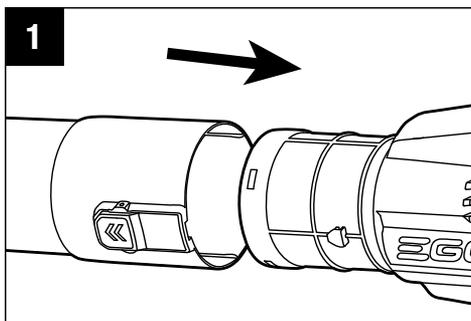
## LISTA DE PIEZAS

NOMBRE DE LA PIEZA	CANTIDAD
Soplador	1
Tubo del soplador	1
Manual de instrucciones	1

## ENSAMBLAJE DEL TUBO DEL SOPLADOR

**⚠ ADVERTENCIA:** Para evitar el arranque accidental, el que podría provocar lesiones personales graves, retire siempre el paquete de baterías de la herramienta antes de ensamblar las piezas.

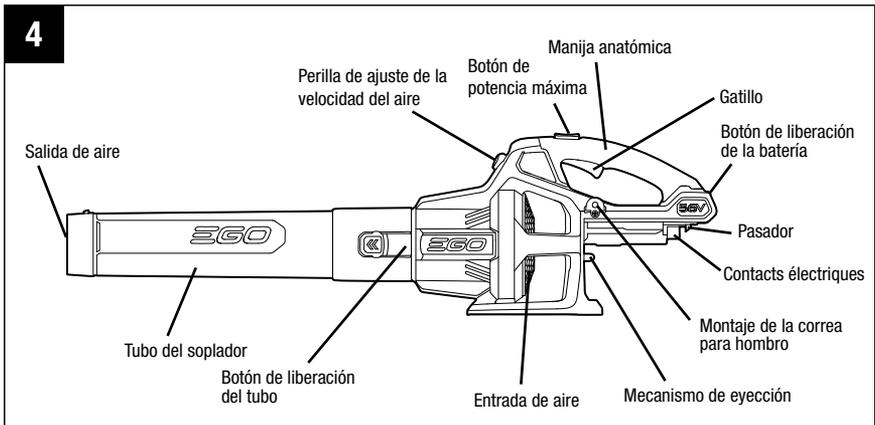
1. Alinee la ranura en el tubo con la perilla en la carcasa del soplador. Presione el tubo en la carcasa del soplador hasta que el pasador encaje en su lugar (Fig. 1 y 2).
2. Para retirar el tubo, mantenga presionado el botón de liberación del tubo para liberar el pasador, luego jale el tubo de manera recta desde el soplador (Fig. 3).



# DESCRIPCIÓN

## CONOZCA EL SOPLADOR (Fig. 4)

El uso seguro de este producto requiere la comprensión de la información impresa en la herramienta y en el Manual de instrucciones, así como ciertos conocimientos sobre el proyecto que realizará. Antes de usar este producto, familiarícese con todas sus características de funcionamiento y reglas de seguridad.



Gatillo	Arranca/detiene el soplador.
Botón de potencia máxima	Amplifica la velocidad de aire al máximo, independientemente de la configuración de la perilla.
Perilla de ajuste de la velocidad del aire	Aumenta o disminuye la velocidad del aire del soplador.
Botón de liberación de la batería	Libera el paquete de baterías del soplador.
Pasador	Bloquea el paquete de baterías cuando se instala en el soplador.
Montaje de la correa para hombro	Para usar con la correa para hombro.
Empuñadura anatómica	Empuñadura ergonómica que mejora la comodidad y el agarre.

## FUNCIONAMIENTO

**⚠ ADVERTENCIA:** No permita que el conocimiento de este producto lo vuelva imprudente. Recuerde que un descuido de una fracción de segundo es suficiente para ocasionar lesiones graves.

**⚠ ADVERTENCIA:** Siempre use protección ocular con protección lateral que cumpla con la norma ANSI Z87.1, junto con protección auditiva. De lo contrario, podría provocar que se disparen objetos hacia sus ojos y otras posibles lesiones graves.

**⚠ ADVERTENCIA:** No use ningún aditamento o accesorio no recomendado por el fabricante de este producto, ya que esto podría provocar lesiones personales graves.

Antes de cada uso, inspeccione todo el producto en busca de piezas dañadas, faltantes o sueltas, como tornillos, tuercas, pernos, tapas, etc. Apriete bien todos los sujetadores y tapas, y no opere este producto hasta que se hayan reemplazado todas las piezas faltantes o dañadas.

## APLICACIÓN

Puede usar este producto para los fines que se indican a continuación:

- Despejar superficies duras como entradas de garaje y senderos
- Mantener terrazas y entradas de garaje libres de hojas y agujas de pinos

## PARA INSTALAR/RETIRAR EL PAQUETE DE BATERÍAS (Fig. 5) CARGUE ANTES DEL PRIMERO USO

**⚠ ADVERTENCIA:** Siempre retire el paquete de baterías del producto cuando ensamble piezas, realice ajustes, limpie o no esté en uso. De esta manera, evitará el arranque accidental, el que podría provocar lesiones personales graves.

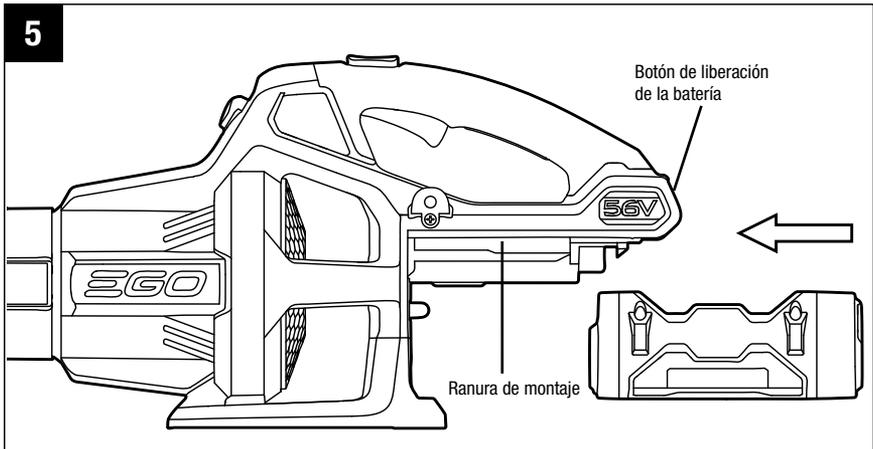
### PARA INSTALAR

- Alinee las aletas del paquete de baterías con las ranuras de montaje en el puerto de la batería del soplador.
- Presione el paquete de baterías hasta que calce a presión en su posición.

### PARA RETIRAR

**⚠ ADVERTENCIA:** Siempre tenga cuidado con la ubicación de sus pies, los niños o las mascotas cuando presione el botón de liberación de la batería. Se podrían provocar lesiones graves si se cae el paquete de baterías. NUNCA retire el paquete de baterías cuando esté en una ubicación alta.

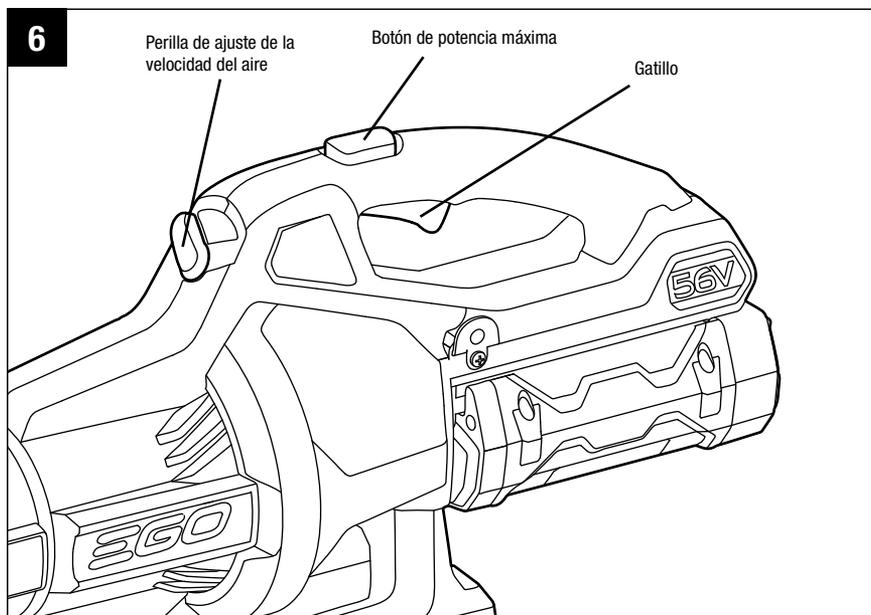
- Presione el botón de liberación de la batería; el paquete de baterías se desenganchará del pasador y el mecanismo de la eyección lo ayudará con la extracción.
- Retire el paquete de baterías del soplador.



## ARRANCAR/DETENER EL SOPLADOR (Fig. 6)

- Para arrancar el soplador, presione el gatillo. El soplador comenzará a funcionar.
- Para detener el soplador, suelte el gatillo.

## AJUSTE DE LA VELOCIDAD DEL AIRE (Fig. 6)



El soplador cuenta con una regulación de velocidad continua para controlar la velocidad del aire.

Para aumentar la velocidad del aire, gire la perilla de ajuste de velocidad del aire en dirección de las manecillas del reloj cuando el soplador esté en funcionamiento; para reducir la velocidad del aire, gírela en dirección contraria a las manecillas del reloj.

Para mejorar la velocidad del aire, presione el botón boost para amplificar la velocidad temporalmente al máximo. El soplador volverá a la velocidad anterior al soltar este botón.



## **FUNCIONAMIENTO DEL SOPLADOR**

- Para evitar dispersar los desechos, sople alrededor de los bordes exteriores de una pila de desechos. Nunca sople directamente al centro de una pila.
- Para reducir los niveles de ruido, limite el número de equipos que usa simultáneamente.
- Use rastrillos y escobas para soltar los desechos antes de soplarlos. En condiciones de polvo, humedezca ligeramente las superficies, si dispone de agua.
- Ahorre agua al usar sopladores eléctricos en lugar de mangueras para muchas aplicaciones de césped y jardín, incluidas áreas como canaletas, pantallas, patios, parrillas, porches y jardines.
- Tenga cuidado con niños, mascotas, ventanas abiertas o automóviles recién lavados y sople los desechos lejos de estos.
- Después de usar el soplador u otro equipo, limpie. Elimine los desechos de manera adecuada.

## MANTENIMIENTO

**⚠ ADVERTENCIA:** Al realizarle mantenimiento, use solo piezas de repuesto idénticas. El uso de otras piezas puede generar un peligro o dañar el producto. Para garantizar la seguridad y fiabilidad, todas las reparaciones las debe realizar un técnico calificado.

**⚠ ADVERTENCIA:** Para evitar lesiones personales graves, retire siempre el paquete de baterías del producto cuando realice limpieza o cualquier tipo de mantenimiento.

### MANTENIMIENTO GENERAL

Evite el uso de solventes para limpiar las piezas de plástico. La mayoría de los plásticos son susceptibles a diferentes tipos de solventes comerciales y pueden resultar dañados por el uso de dichos solventes. Utilice paños limpios para eliminar la suciedad, el polvo, el aceite, la grasa, etc.

**⚠ ADVERTENCIA:** No permita en ningún momento que las piezas plásticas entren en contacto con líquidos de freno, gasolina, productos a base de petróleo, aceites penetrantes, etc. Los productos químicos pueden dañar, debilitar o destruir el plástico, lo que puede resultar en lesiones personales graves.

### ALMACENAJE

- Limpie los materiales extraños de las entradas de aire del soplador.
- Almacene en interiores, en un lugar que no sea accesible para los niños. Mantenga alejado de agentes corrosivos, como productos químicos para jardín y sales para derretir hielo.

## SOLUCIÓN DE PROBLEMAS

PROBLEMA	CAUSA	SOLUCIÓN
El soplador no funciona.	<ul style="list-style-type: none"> <li>■ El paquete de baterías no está instalado en el soplador.</li> <li>■ No hay contacto eléctrico entre el soplador y la batería.</li> <li>■ El paquete de baterías está agotado.</li> <li>■ El paquete de baterías o el soplador están muy calientes.</li> </ul>	<ul style="list-style-type: none"> <li>■ Coloque el paquete de baterías en el soplador.</li> <li>■ Retire la batería, revise los contactos y vuelva a instalar el paquete de baterías.</li> <li>■ Cargue el paquete de baterías.</li> <li>■ Deje enfriar el paquete de baterías y el soplador hasta que la temperatura descienda por debajo de los 66,7 °C (152 °F).</li> </ul>
La velocidad del aire disminuye llanamente.	<ul style="list-style-type: none"> <li>■ Desgaste excesivo del ventilador del motor.</li> <li>■ La entrada del aire es bloqueada con los escombros.</li> </ul>	<ul style="list-style-type: none"> <li>■ Contacte al centro servicio EGO para reparación.</li> <li>■ Quite el paquete de batería, desobstruya los escombros.</li> </ul>

# GARANTÍA

## POLÍTICA DE GARANTÍA EGO

Garantía limitada de 5 años para el equipo eléctrico para exteriores EGO y garantía limitada de 3 años para los cargadores y las baterías del Sistema EGO POWER+.

**Póngase en contacto con Servicio al Cliente de EGO de manera gratuita al 1-855-EGO-5656** cuando tenga preguntas o reclamaciones de garantía.

## GARANTÍA LIMITADA DE SERVICIO

Este producto EGO está garantizado contra defectos en los materiales y la mano de obra POR CINCO AÑOS desde la fecha de su compra original. El producto defectuoso se reparará de manera gratuita.

El cargador y las baterías del Sistema EGO POWER+ están garantizados contra defectos en los materiales y la mano de obra DURANTE TRES AÑOS desde la fecha de compra original. El producto defectuoso se reparará de manera gratuita.

- a) Esta garantía se aplica solo al comprador original del distribuidor minorista autorizado de EGO y podría no ser transferible. Los distribuidores minoristas autorizados de EGO se identifican en línea, en <http://egopowerplus.com/pages/warranty-policy>.
- b) El período de garantía para cualquier producto, cargador y batería EGO para propósitos industriales, profesionales o comerciales es de un año.
- c) El período de garantía para productos reacondicionados o reparados utilizados con fines residenciales es de 1 año, y para propósitos industriales, profesionales o comerciales es de 90 días.
- d) El período de garantía para piezas del mantenimiento de rutina, incluidas, entre otras, cuchillas, cabezales de orilladoras, listones de cadenas, cadenas de motosierras, correas, barras raspadoras, boquillas de sopladores y todos los demás accesorios EGO, es de 90 días con fines residenciales y de 30 días para propósitos industriales, profesionales o comerciales. Estas piezas tienen cobertura durante 90/30 días por defectos de fabricación en condiciones normales de trabajo.
- e) Esta garantía queda nula si el producto se ha puesto en alquiler.
- f) Esta garantía no cubre daños producto de modificaciones, alteraciones o reparaciones no autorizadas.

- g) Esta garantía solo cubre defectos que surjan del uso normal y no cubre el mal funcionamiento, las fallas ni los defectos que resulten del mal uso, el abuso (que incluye la sobrecarga del producto más allá de su capacidad y sumergirlo en agua o en cualquier otro líquido), accidentes, negligencia o falta de instalación adecuada y mantenimiento o almacenamiento inadecuados.
- h) Esta garantía no cubre el deterioro normal del acabado exterior, incluidos, entre otros, rayones, abolladuras, trozos de pintura o cualquier corrosión o decoloración producida por el calor o limpiadores químicos y abrasivos.

## **CÓMO OBTENER EL SERVICIO**

Para obtener el servicio de garantía, póngase en contacto con Servicio al Cliente de EGO de manera gratuita al **1-855-EGO-5656**. Cuando pida un servicio cubierto por la garantía, debe presentar el recibo con la fecha original de venta. Un centro de servicio autorizado será seleccionado para reparar el producto de acuerdo con los términos establecidos en la garantía. Cuando lleve el producto al centro de servicio autorizado, es posible que deba hacer un pequeño depósito cuando deje la herramienta. Este depósito se reembolsará cuando se considere que el servicio de reparación se haya cubierto con la garantía.

## **LIMITACIONES ADICIONALES**

En la medida en que lo permita la ley aplicable, se rechazan todas las garantías implícitas, incluidas las garantías de **COMERCIABILIDAD** o **IDONEIDAD PARA UN FIN EN PARTICULAR**. Cualquier garantía implícita, incluidas las garantías de comerciabilidad o idoneidad para cualquier fin en particular, que no pueda ser rechazada según la ley estatal, está limitada a cinco años desde la fecha de compra para el equipo electromecánico para exteriores y tres años desde la fecha de compra para el cargador y el paquete de baterías.

Chervon North America no será responsable de los daños directos, indirectos, accidentales o resultantes.

Algunos estados no permiten las limitaciones sobre cuánto dura una garantía implícita o no permiten la exclusión de daños accidentales o resultantes ni las limitaciones, de modo que las limitaciones anteriores pueden no aplicarse a usted.

Esta garantía le otorga derechos legales específicos, pero podría tener también otros derechos que varían según el estado.

Si desea servicio al cliente, póngase en contacto con nosotros al número gratuito: **1-855-EGO-5656** o escríbanos a **EGOPOWERPLUS.COM** EGO Customer Service, 120 Ionia Street SW / Suite 102 Grand Rapids, MI 49503





