

COUNTERTOP BATHROOM SINK K-2351

ADA

CSA B651

OBC

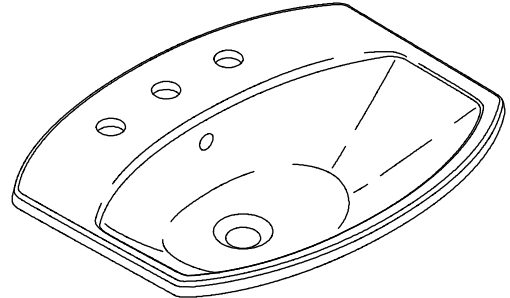
Features

- Vitreous china
- Drop-in
- 8" (203 mm) centers (-8), 4" (102 mm) centers (-4), or single-hole (-1)
- With overflow
- 23" (584 mm) x 18-3/16" (462 mm) x 7-7/8" (200 mm)

Codes/Standards Applicable

Specified model meets or exceeds the following:

- ADA
- ICC/ANSI A117.1
- CSA B651
- OBC
- ASME A112.19.2/CSA B45.1



Colors/Finishes

- 0: White
- Other: Refer to Price Book for additional colors/finishes

Accessories

- NA: None applicable

Specified Model

Model	Description	Colors/Finishes	
K-2351-8	8" (203 mm) center bathroom sink	<input type="checkbox"/> 0	<input type="checkbox"/> Other _____
K-2351-4	4" (102 mm) center bathroom sink	<input type="checkbox"/> 0	<input type="checkbox"/> Other _____
K-2351-1	Single hole bathroom sink	<input type="checkbox"/> 0	<input type="checkbox"/> Other _____

Product Specification

Bathroom sink shall be made of vitreous china. The drop-in bathroom sink shall be 23" (584 mm) in length and 18-3/16" (462 mm) in width. Bathroom sink shall have 8" (203 mm) or 4" (102 mm) centers drilling or single hole drilling. Bathroom sink shall be with overflow. Bathroom sink shall be Kohler Model K-2351-_____-_____.

CIMARRON®

Technical Information

Fixture*:	
Basin area	20-3/8" (518 mm) x 11-1/2" (292 mm)
Water depth	3-5/8" (92 mm)
* Approximate measurements for comparison only.	

Holes	K-2351-8	K-2351-4	K-2351-1
Spout	Ø 1-3/8" (35 mm)	Ø 1-1/4" (32 mm)	Ø 1-3/8" (35 mm)
Faucet	Ø 1-3/8" (35 mm)	Ø 1-1/4" (32 mm)	
Drain	Ø 1-3/4" (44 mm)	Ø 1-3/4" (44 mm)	Ø 1-3/4" (44 mm)
Outlet	Ø 1-1/4" (32 mm)	Ø 1-1/4" (32 mm)	Ø 1-1/4" (32 mm)

Included components:	
Cut-out template	1017302-7

Installation Notes

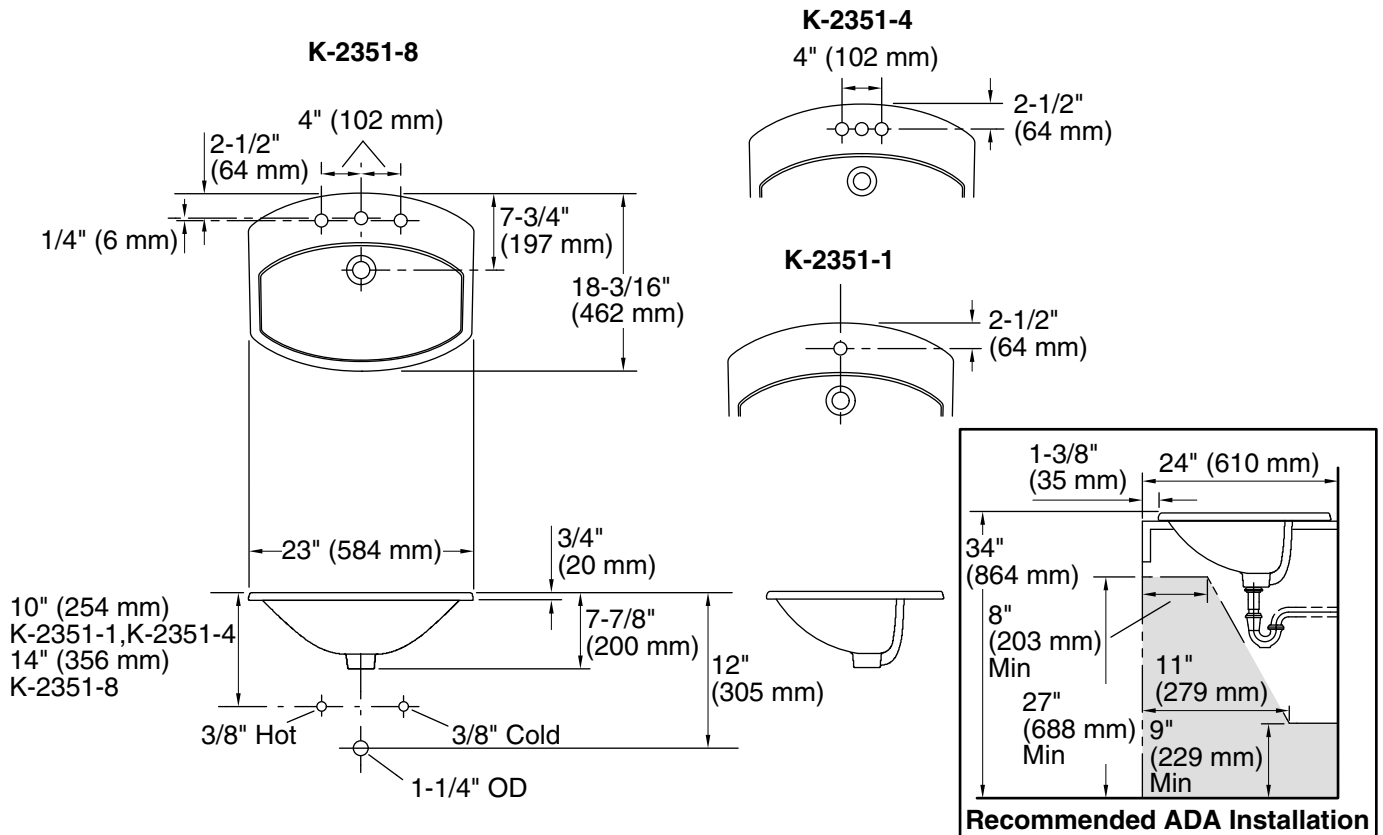
Install this product according to the installation guide.

NOTICE: Countertop manufacturer or cutter **must** use the cut-out template provided with the product, or a current one provided by Kohler Co. (call 1-800-4KOHLE). Kohler Co. is not responsible for cutout errors when the incorrect cut-out template is used.

Will comply with **ADA** when installed per section 606 Lavatories of the Act.

Will comply with **CSA B651** when installed per Clause 4.3.3 of the standard.

Will comply with **OBC** when installed per Clause 3.8.3.11.



Product Diagram