

# WF45K6500AV

SAMSUNG

## Samsung Front-Load Washer

4.5 cu. ft. Capacity DOE



### Signature Features

#### AddWash™

- The AddWash™ door eliminates the need to do an extra load of laundry just because you forgot an item. Now you can conveniently add in forgotten laundry after the cycle has begun, without starting all over again.

#### Super Speed

- Wash a full load in as little as 36 minutes\* – 35% faster, without sacrificing cleaning performance.

\*Normal 1-hour wash can now be completed in as little as 36 minutes as compared to WF42H5200 washer without Super Speed. Based on DOE standard's average of 7.5 loads per week.

#### 4.5 cu. ft. Capacity

- Fewer washes, less time in the laundry room and more time for you.

### Available Colors



Fingerprint Resistant  
Black Stainless Steel (shown)



White



AddWash™



Super Speed

### Features

- AddWash™
- Super Speed
- Steam Wash
- VRT Plus™ Technology
- Self Clean+
- Smart Home Ready
- Diamond Drum Design
- Direct Drive Motor
- 1300 RPM Maximum Spin Speed
- Internal Water Heater
- 14 Preset Wash Cycles
- 13 Options

### Convenience

- Child Lock
- Door Lock
- Dispenser Trays: Pre Wash, Main Wash, Softener, Bleach

### Rating



ENERGY STAR®-rated  
CEE Tier 1  
IMEF = 2.80  
IWF = 3.00  
100 kWh/yr

# WF45K6500AV

**SAMSUNG**

## Samsung Front-Load Washer

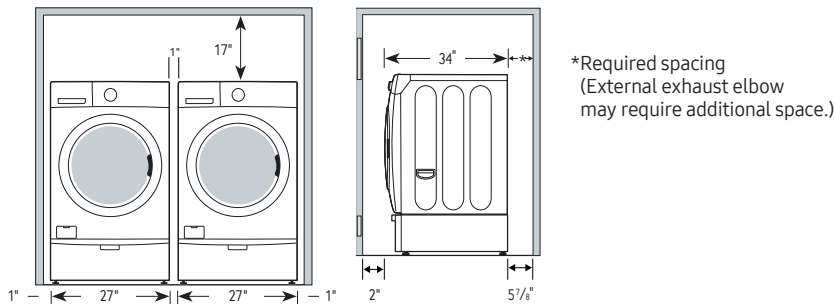
4.5 cu. ft. Capacity DOE

### Installation Specifications

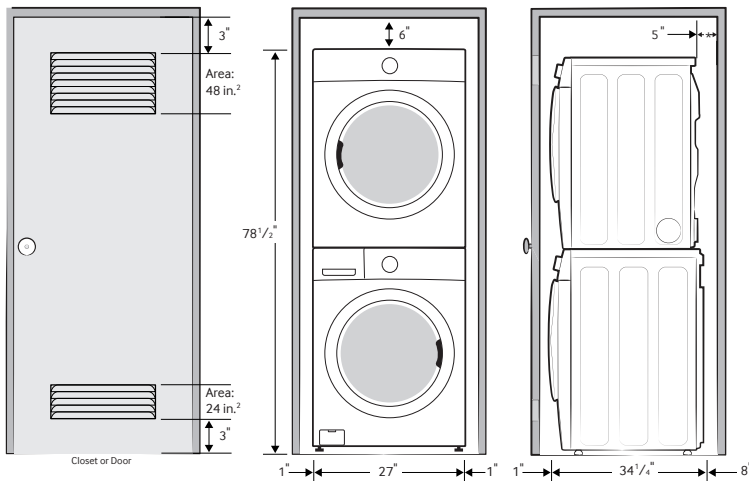
If the washer and dryer are installed together or the dryer alone, the closet front must have two unobstructed air openings for a combined minimum total area of 72-inch<sup>2</sup> (see stacked build below). Your washer alone does not require a specific air opening.

#### 1. Alcove or closet installation

Minimum Clearance for Closet and Alcove Installations:

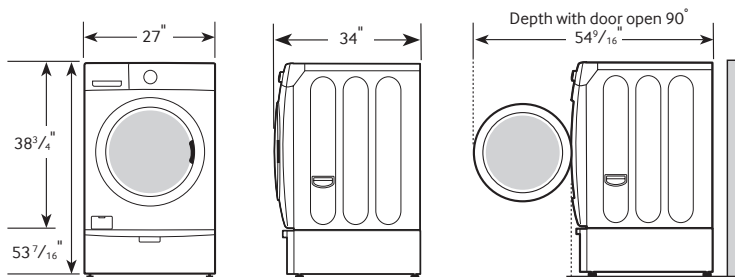


#### 2. With stacked washer and dryer



### Dimensions

Required Dimensions for Installation with Pedestal:



#### 14 Preset Wash Cycles:

Normal, Heavy Duty, Permanent Press, Sanitize, Allergen, Towels, Bedding, Deep Steam, Whites, Active Wear, Delicates, Wool, Quick Wash, Rinse and Spin

#### 13 Options:

Super Speed, Steam, Smart Control, Self Clean<sup>+</sup>, Delay End, My Cycle, Prewash, Extra Rinse, Extra Spin, Sound, Spin Only, Child Lock, Smart Care

#### 5 Temperature Settings:

Extra Hot, Hot, Warm, Cold, Tap Cold

#### 5 Spin Settings:

Extra High, High, Medium, Low, No Spin

#### 5 Soil Settings:

Heavy, Heavy Medium, Normal, Low Medium, Light

#### Dispenser Trays:

Prewash, Main Wash, Softener, Bleach

#### Warranty

One (1) Year Parts and Labor  
Three (3) Years Stainless Steel Drum (Part Only)  
Ten (10) Years Direct Drive Motor (Part Only)

#### Product Dimensions & Weight (WxHxD)

Dimensions: 27" x 38<sup>3</sup>/<sub>4</sub>" x 34"  
Weight: 227 lbs

#### Shipping Dimensions & Weight (WxHxD)

Dimensions: 29<sup>3</sup>/<sub>8</sub>" x 41<sup>5</sup>/<sub>8</sub>" x 35<sup>5</sup>/<sub>8</sub>"  
Weight: 233 lbs

Color	Model #	UPC Code
Fingerprint Resistant		
Black Stainless Steel	WF45K6500AV	887276138121
White	WF45K6500AW	887276138138

#### Matching Dryer (Electric/Gas)

Fingerprint Resistant		
Black Stainless Steel	DV45K6500EV	887276138381
White	DV45K6500EW	887276138404
Fingerprint Resistant		
Black Stainless Steel	DV45K6500GV	887276138411
White	DV45K6500GW	887276138428