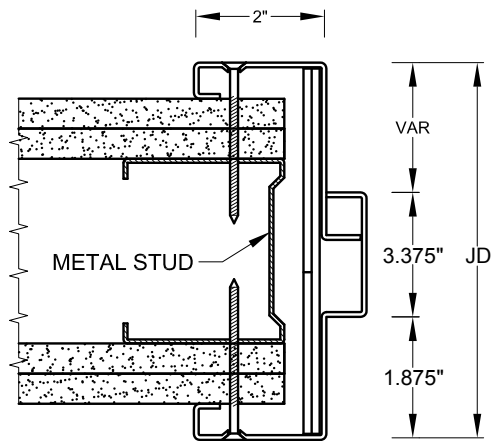
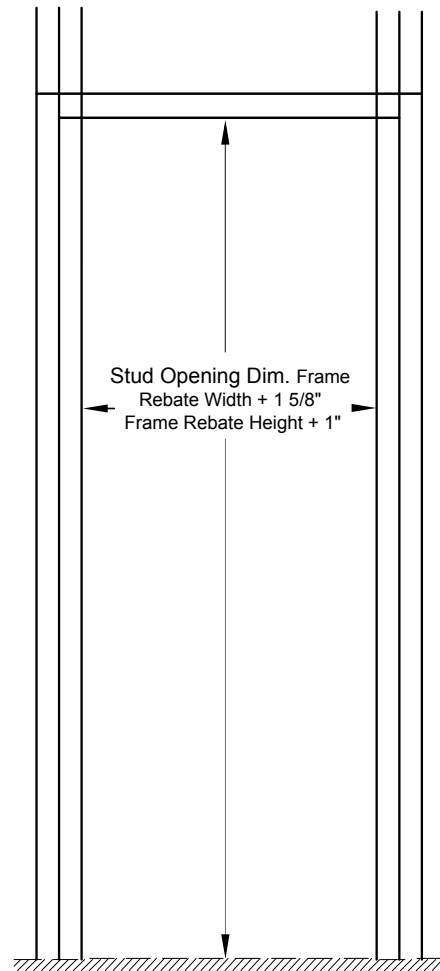


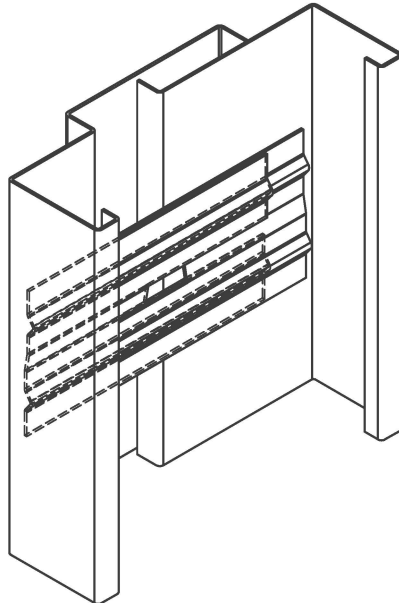
**ROUGH OPENING FOR
DRYWALL INSTALLATION**



DRYWALL INSTALLATION

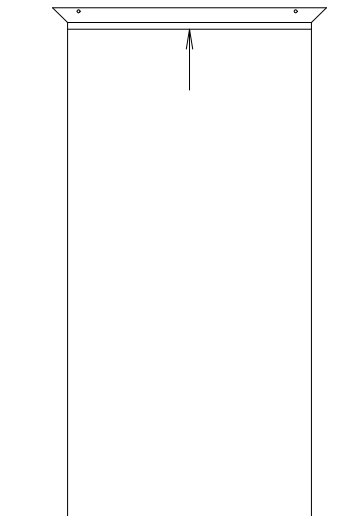
1. Set Frame Throat Opening

Adjust each jamb and head to suit the measured wall thickness



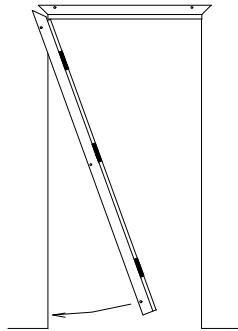
2. Install Head

Slide the head into position in the center of the rough opening width. Wedges may be used to temporarily hold the head in position

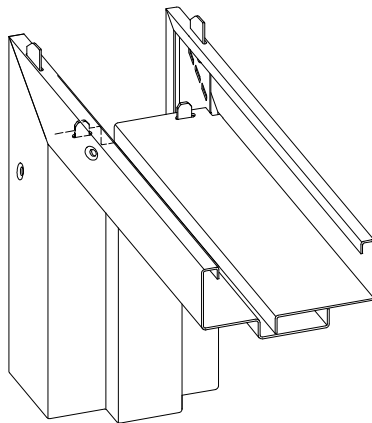


3. Install Hinge Jamb

- A. Insert the tabs on the jamb corner clips into the slots in the head
- B. Pivot the jamb into place over the wall

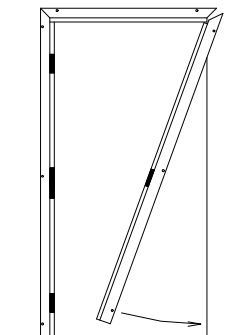


- C. Jamb corner clip tabs should go through the slots in the head rabbets and returns



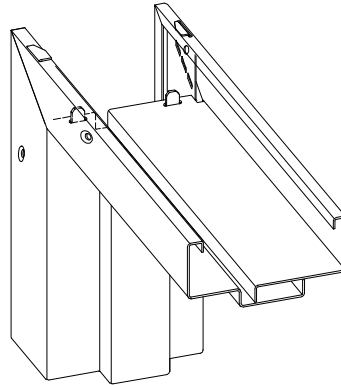
4. Install Strike Jamb

- A. Repeat Steps 4A, 4B & 4C

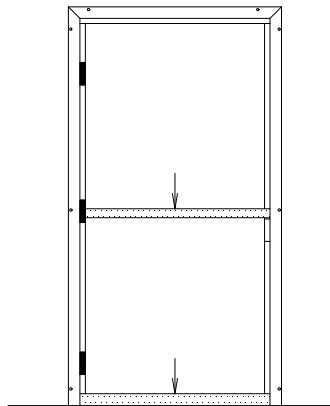


5. Set frame

- A. Center the head in the rough opening
- B. Bend the corner tabs extending through the head returns.



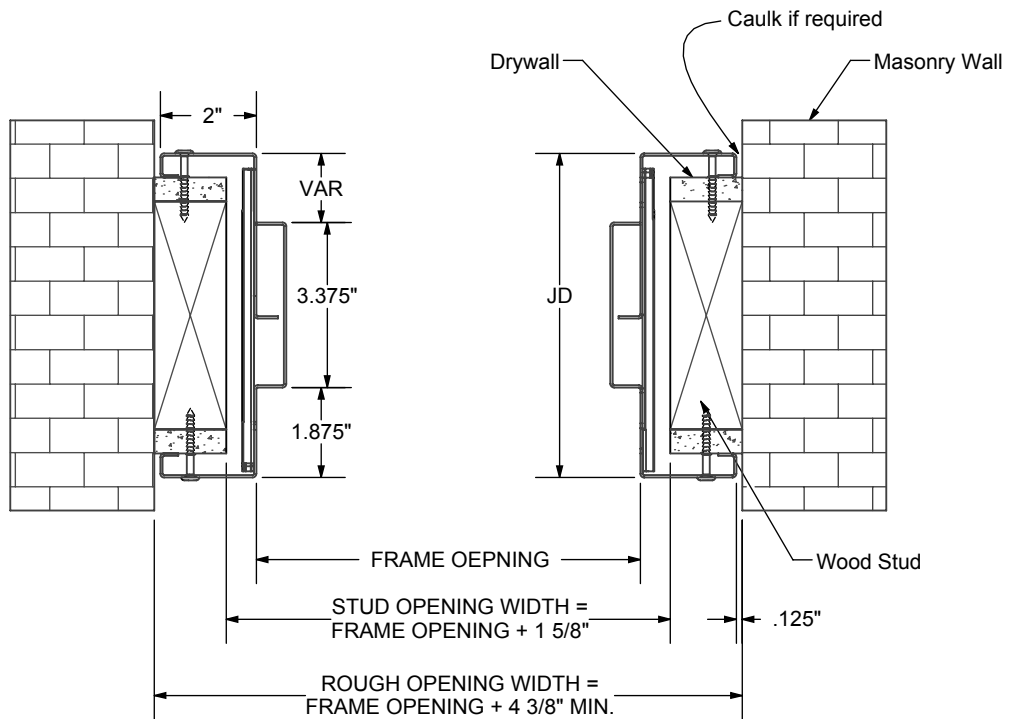
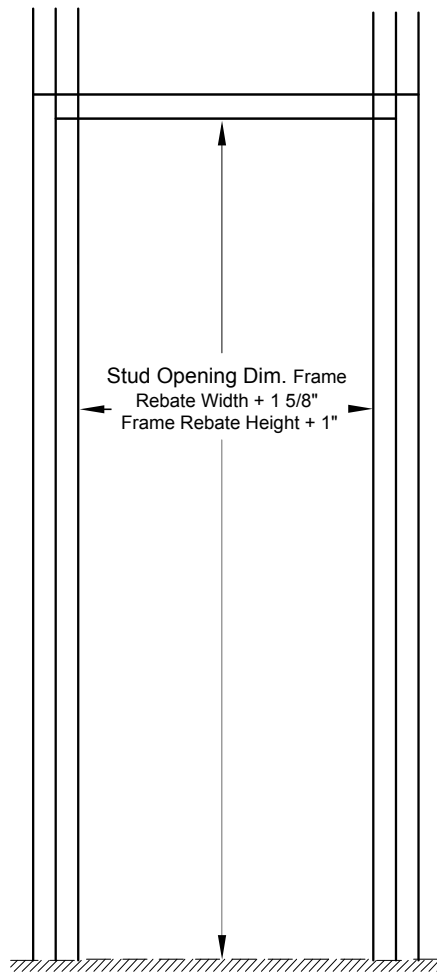
- C. Place temporary spreader between the jambs at the floor and at the mid-height of the frame to maintain correct frame rabbet width
- D. Plumb and square the frame in the opening and, adjust for alignment and twist



6. Anchor Frame

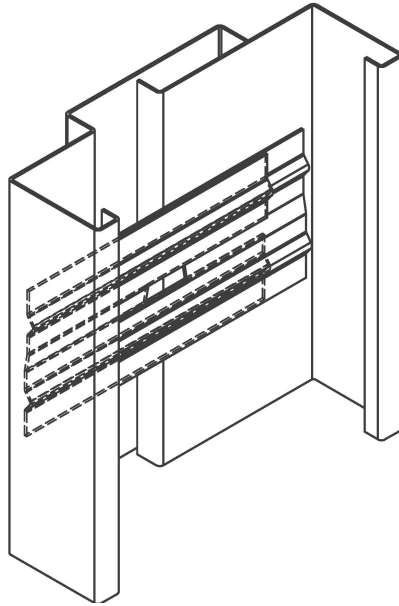
- A. Apply screws to the head and jambs through the dimpled holes in each face.
- B. Remove temporary spreader and re-check plumb, alignment and twist

**ROUGH OPENING FOR
MASONRY INSTALLATION**



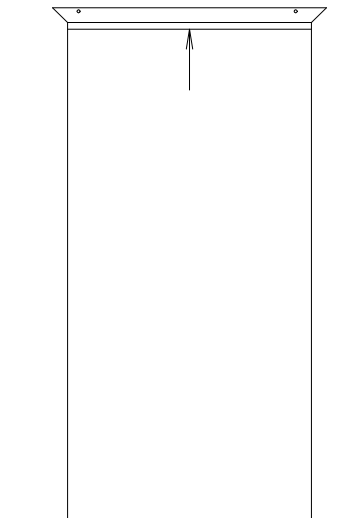
1. Set Frame Throat Opening

Adjust each jamb and head to suit the measured wall thickness



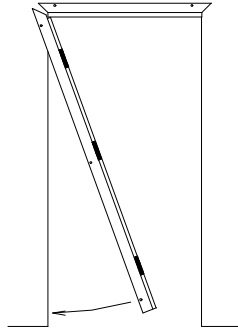
2. Install Head

Slide the head into position in the center of the rough opening width. Wedges may be used to temporarily hold the head in position

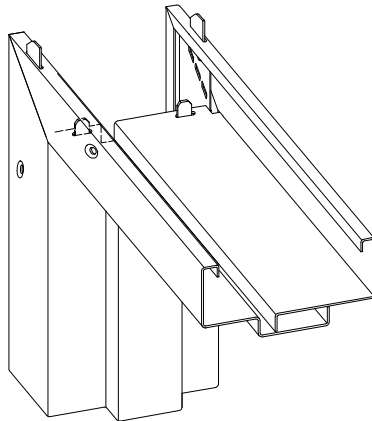


3. Install Hinge Jamb

- A. Insert the tabs on the jamb corner clips into the slots in the head
- B. Pivot the jamb into place over the wall

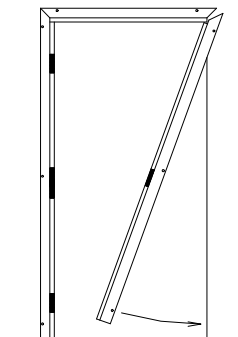


- C. Jamb corner clip tabs should go through the slots in the head rabbets and returns



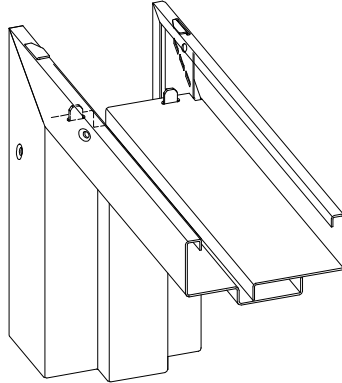
4. Install Strike Jamb

- A. Repeat Steps 4A, 4B & 4C

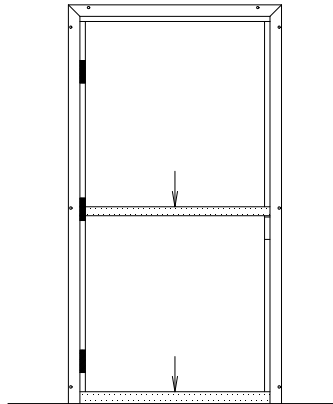


5. Set frame

- A. Center the head in the rough opening
- B. Bend the corner tabs extending through the head returns.



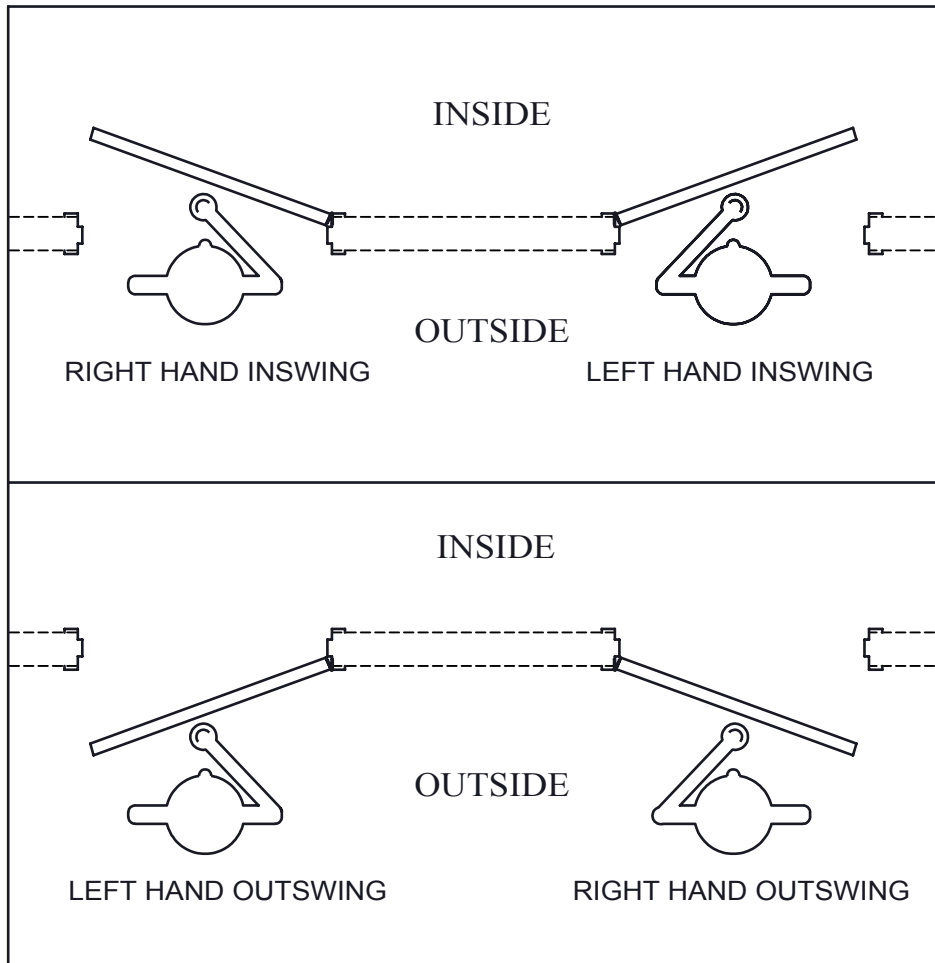
- C. Place temporary spreader between the jambs at the floor and at the mid-height of the frame to maintain correct frame rabbet width
- D. Plumb and square the frame in the opening and, adjust for alignment and twist



6. Anchor Frame

- A. Apply screws to the head and jambs through the dimpled holes in each face.
- B. Remove temporary spreader and re-check plumb, alignment and twist

DOOR HANDING CHART



Hand of door indicates the direction of the swing of the door. It is always viewed from outside the room, building and so forth

Left Hand: Door hinges are on the left when facing the door.

Righ Hand: Door hinges are on the right when facing the door.

ARMOR DOOR™

DRAWN BY:

HP

DATE:

SEPTEMBER 11, 2017