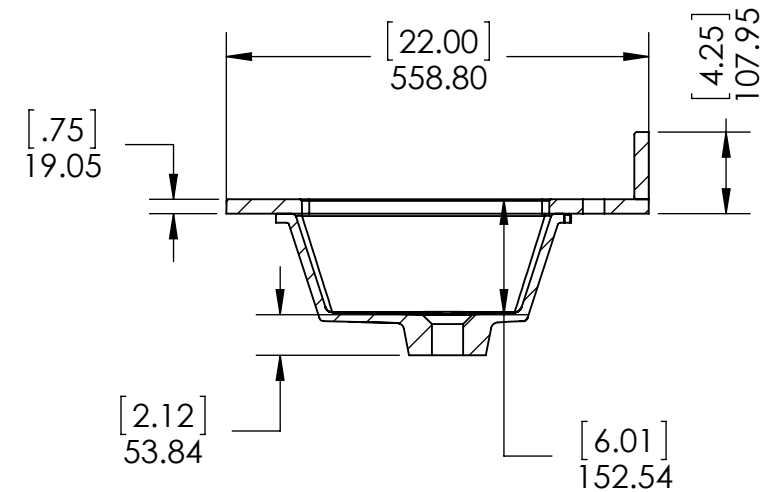
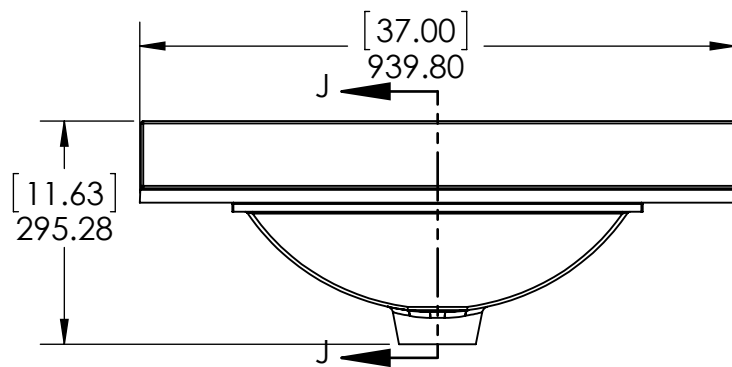
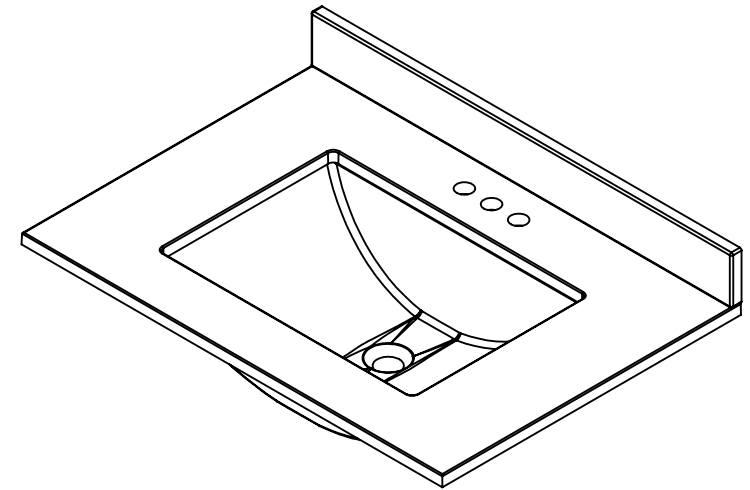
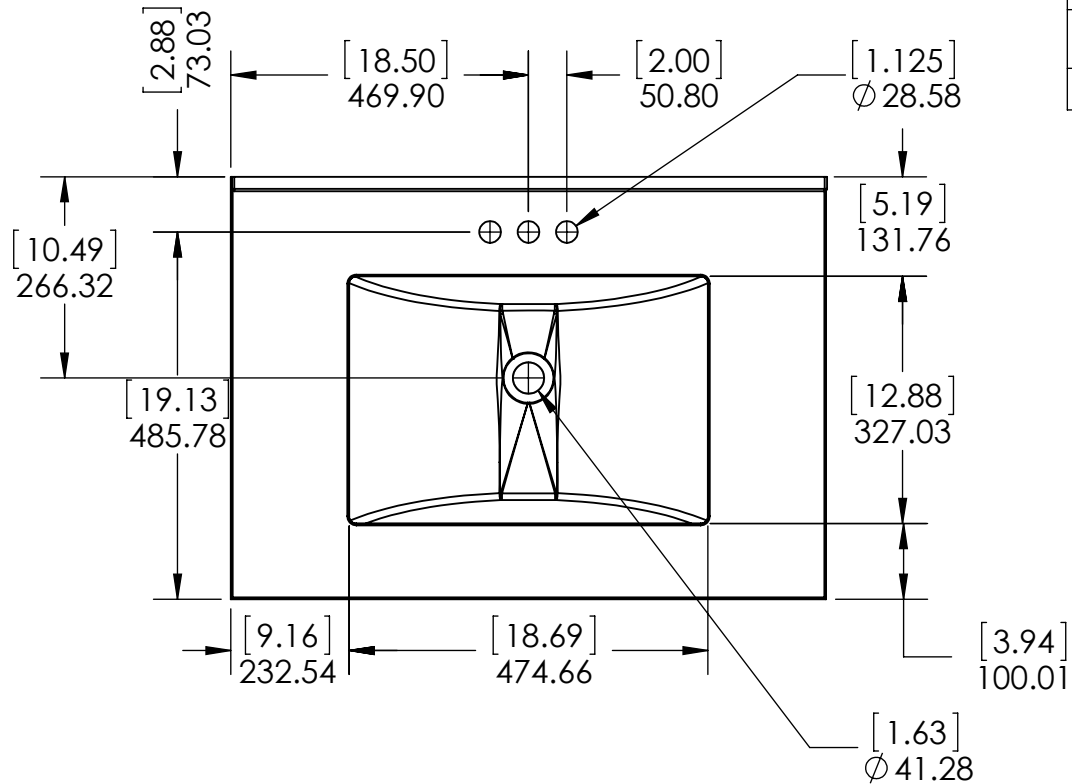


| Rev # | Approved by | Change          |
|-------|-------------|-----------------|
| 0     | R. Rubio    | Released        |
| 1     | O. Razo     | New model added |
|       |             |                 |



**PROPRIETARY AND CONFIDENTIAL**  
 THE INFORMATION CONTAINED IN THIS DRAWING IS THE SOLE PROPERTY OF WOODCRAFTERS. ANY REPRODUCTION IN PART OR AS A WHOLE WITHOUT THE WRITTEN PERMISSION OF WOODCRAFTERS IS PROHIBITED.

UNLESS OTHERWISE SPECIFIED  
 DIMENSIONS ARE IN MM. AND (INCHES)  
 TOLERANCES ARE  
 +0.125 [3.175] -0.125 [-3.175]  
 SCALE:1:10

|           | NAME     | DATE     |
|-----------|----------|----------|
| DRAWN     | R. Rubio | 08/22/16 |
| CHECKED   | R. Rubio | 08/22/16 |
| ENG APPR. | R. Rubio | 08/22/16 |
| MFG APPR. | C. Leal  | 08/22/16 |

**Wood Crafters**  
 Vtop Stone Effect, Rect 37x22  
 SHEET 1 OF 2  
 REV: 1

| ID                | Description  | Technology   | Status                     |
|-------------------|--|--------------|----------------------------|
| SERST37C<br>OM-CO | 37 in. Stone Effects<br>Vanity Top in Cold<br>Fusion with White<br>Basin | Stone Effect | Approved for<br>production |
| SER37-DN          | 37 in. Stone Effects<br>Vanity Top in Dune<br>with White Basin           | Stone Effect | Approved for<br>production |
| SER37-MI          | 37 in. Stone Effects<br>Vanity Top in Mayan<br>Ivory with White<br>Basin | Stone Effect | Approved for<br>production |
| SER37-RU          | 37 in. Stone Effects<br>Vanity Top in Rustic<br>Gold with White<br>Basin | Stone Effect | Approved for<br>production |
| SERST37-<br>WM    | Vtop SE Rect 37x22<br>Shark Tank -Winter<br>Mist                         | Stone Effect | Approved for<br>production |
| SE37R-PR          | 37 in. Stone Effects<br>Vanity Top in Pulsar<br>White Basin              | Stone Effect | Approved for<br>production |
| SE37R-<br>MG      | Vtop Rect 37x22 SE<br>Mineral Gray 4in                                   | Stone Effect | Approved for<br>production |

| Rev # | Approved by | Change          |
|-------|-------------|-----------------|
| 0     | R. Rubio    | Released        |
| 1     | O. Razo     | New model added |
|       |             |                 |

**PROPRIETARY AND CONFIDENTIAL**  
 THE INFORMATION CONTAINED IN THIS DRAWING IS THE  
 SOLE PROPERTY OF WOODCRAFTERS. ANY  
 REPRODUCTION IN PART OR AS A WHOLE WITHOUT THE  
 WRITTEN PERMISSION OF WOODCRAFTERS IS PROHIBITED.

UNLESS OTHERWISE SPECIFIED  
 DIMENSIONS ARE IN MM.  
 AND (INCHES)  
 TOLERANCES ARE  
 + 0.125 [3.175] - 0.125 [-3.175]  
 SCALE:1:10

|           | NAME     | DATE     |
|-----------|----------|----------|
| DRAWN     | R. Rubio | 08/22/16 |
| CHECKED   | R. Rubio | 08/22/16 |
| ENG APPR. | R. Rubio | 08/22/16 |
| MFG APPR. | C. Leal  | 08/22/16 |

|   |  |      |                               |              |
|---|--|------|-------------------------------|--------------|
|  |  | SIZE | DWG. NO.                      | SHEET 2 OF 2 |
|   |  | A    | Vtop Stone Effect, Rect 37x22 | REV: 1       |