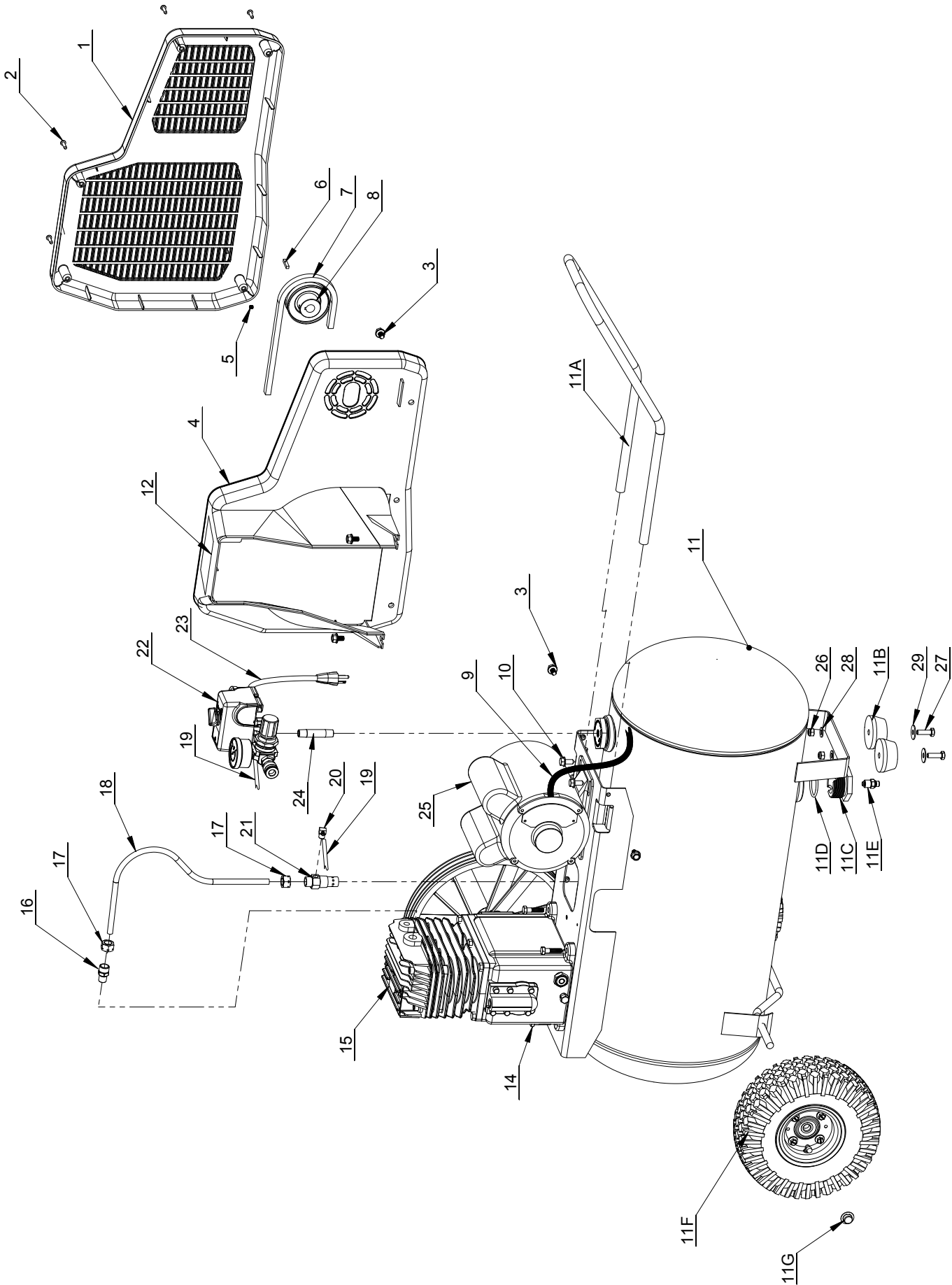


Parts drawing for DXCMPA1982054



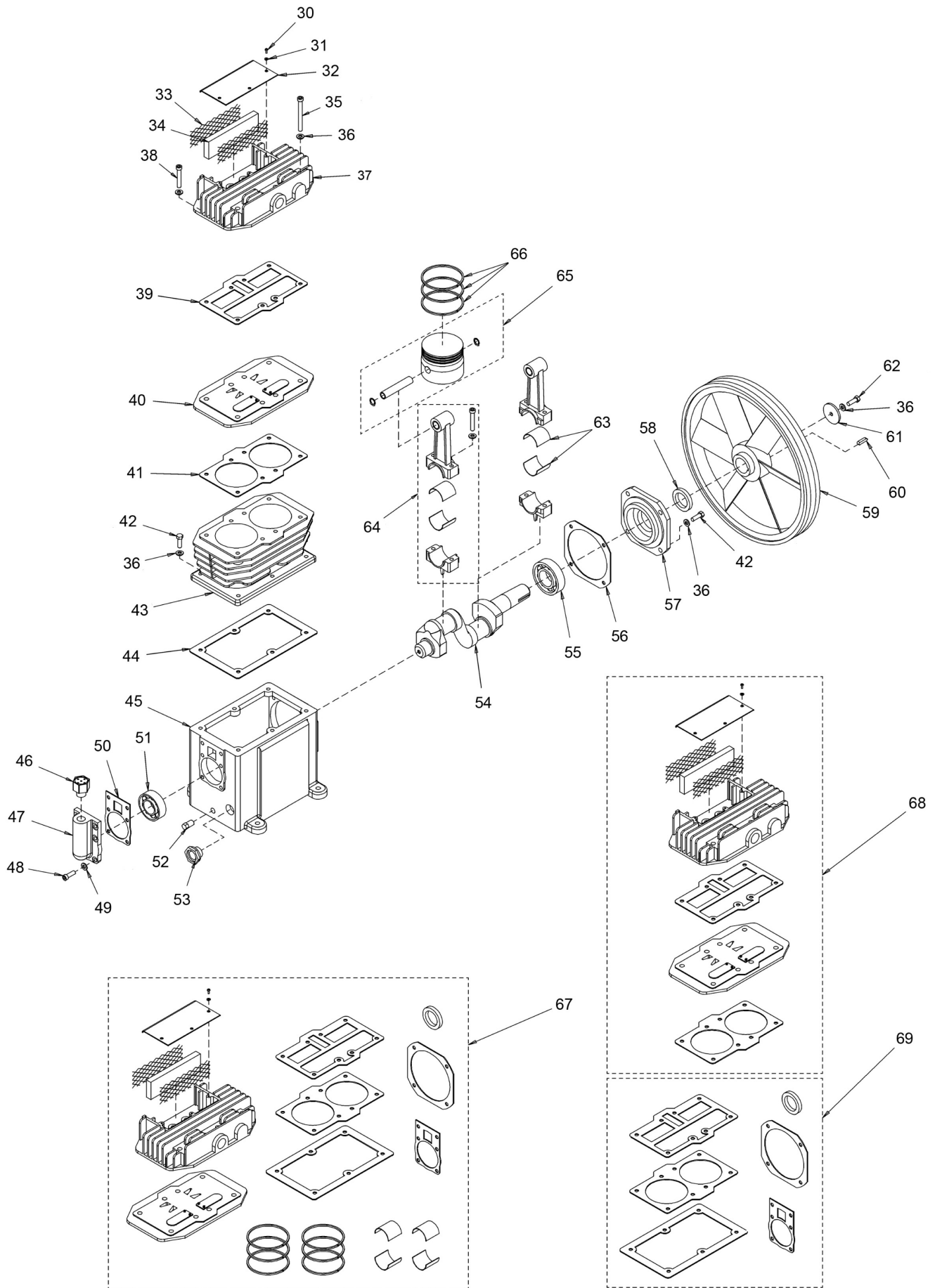
## Parts list for DXCMPA1982054

Item Number	Part Number	Description	Qty. Required
1	125-0151	Beltguard (outer).	1
2	061-0114	Plastite screw	5
3	059-0255	Bolt, 5/16-18 x 1/2	7
4	125-0152	Beltguard (inner)	1
5	061-0238	Setscrew, 5/16"-18 x 3/8"	1
6	146-0016	Key	1
7	007-0013	V-Belt, 4L-510	1
8	006-0087	Pulley	1
9	026-0233	Cord, interconnect	1
10	059-0012	Bolt, 5/16 x .50	4
11	153-0186	Tank assembly (includes items 11A-11G & 26-29)	1
11A	112-0031	Handle	1
11B	094-0186	Vibration pad	2
11C	512-0035	Bushing, 1-1/2 NPSM x 1/4 NPT	2
11D	513-0002	O-Ring 1-1/2	2
11E	072-0006	Petcock	1
11F	095-0038	Wheel, 10" x 3.5	2
11G	033-0001	Hubcap 1/2"	2
12	098-2856	Label, warning	1
13	098-3870	Label, warning (not shown)	1
14	059-0010	Bolt, 5/16" x 1-1/4"	4
15	040-0352 (See pages 4 & 5)	Pump assembly, 753H (includes items 30-66, excluding 59-62)	1
16	068-0092	Adapter, straight 1/4 NPT to 9/16-24	1
17	058-0007	Nut, 3/8" O.D. tube	2
18	145-0436	Tube, transfer	1
19	145-0324	Tube, bleeder 1/4" x 28"	1
20	064-0056	Elbow, 90° brass	1
21	031-0037	Check Valve, 1/2" x 3/8"	1
22	See page 6	Manifold assembly	1
23	026-0030	Cord, power	1
24	065-0005	Nipple, 1/4" x 2-1/2"	1
25	160-0264	Motor (See capacitor table below)	1
26	058-0129	Nut, 5/16-18	2
27	059-0009	Bolt, 5/16 x 1"	2
28	060-0156	Washer, flat 5/16	2
29	060-0202	Washer, fender 5/16" ID x 1" OD	2

### CAPACITORS

	Start capacitor	Start capacitor cover	Run capacitor	Run capacitor cover
<b>A.O. Smith motor capacitors</b>	166-0143 A.O. Smith p/n - 16622936	166-0145 A.O. Smith p/n - 174588-004	166-0144 A.O. Smith p/n - 628318-313	166-0146 A.O. Smith p/n - 17821153
<b>GE motor capacitors</b>	166-0148 GE p/n - 52A103967P1	166-0150 GE p/n - 111B291AAP3	166-0149 GE p/n - 976B399ASP3	166-0151 GE p/n - 111B276ACP8
<b>Better motor capacitors</b>	166-0180 Better p/n - 0901080 or 166-0195 Better p/n - 61B4D250400NNCA	166-0182 Better p/n - 0104045	166-0181 Better p/n - 0901040 or 166-0196 Better p/n - CBB60	166-0182 Better p/n - 0104045

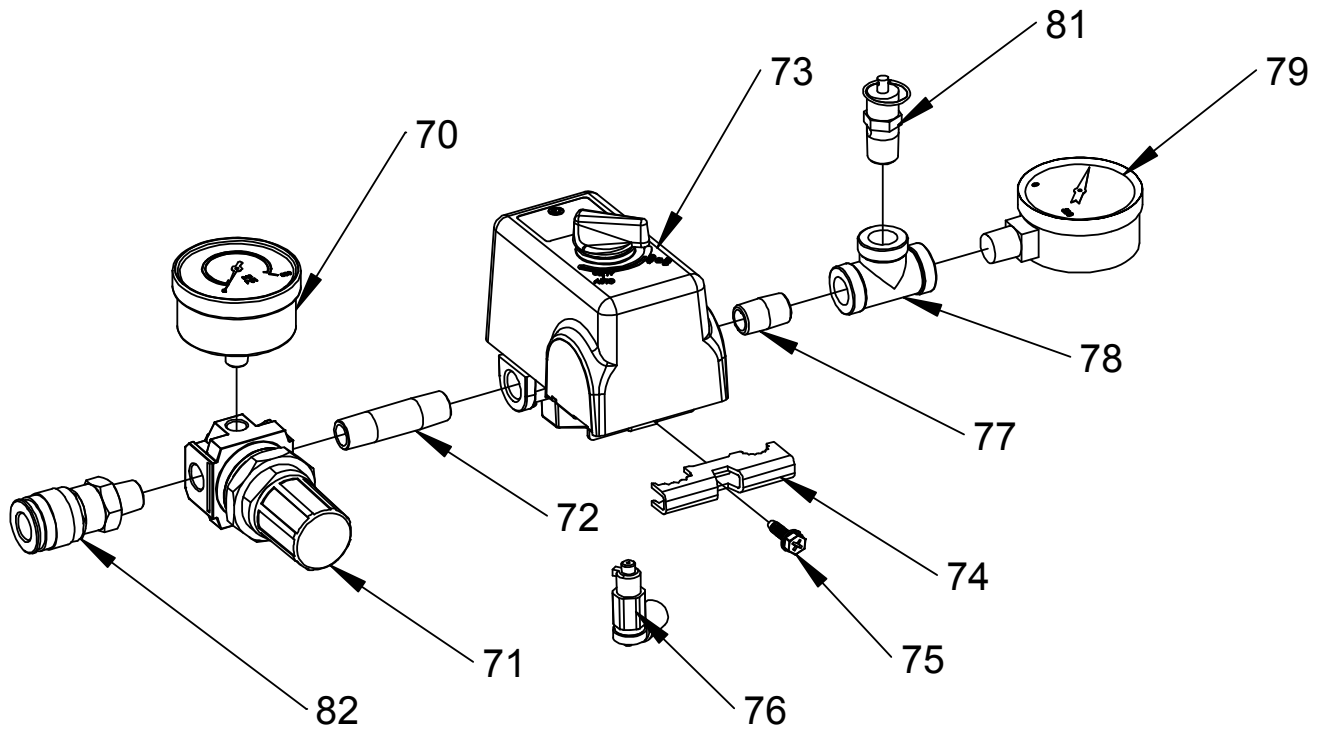
# Parts drawing for pump 040-0352 (753H)



## Parts list for pump 040-0352 (753H)

Item Number	Description	Qty. Required	Qty. Required
30	059-0424	Screw, M4 x 8	3
31	060-0227	Lock washer, M4	3
32	042-0112	Inlet cover	1
33	118-0032	Screen	2
34	019-0220	Filter, felt	1
35	059-0425	Screw, M8x60	4
36	060-0222	Lock washer, M8	16
37	042-0109	Head assembly	1
38	059-0416	Screw, M8x35	4
39	046-0283	Gasket, head	1
40	043-0180	Valve plate assy <i>(includes items 39 &amp; 41)</i>	1
41	046-0282	Gasket, cylinder	1
42	059-0415	Screw, M8x20	12
43	050-0061	Cylinder	1
44	046-0281	Gasket, crankcase	1
45	049-0048	Crankcase <i>(includes item 51)</i>	1
46	056-0096	Breather	1
47	077-0185	Cap	1
48	059-0418	Screw, M6 x 20	6
49	060-0222	Lock washer, M6	6
50	046-0280	Gasket	1
51	051-0099	Bearing 205	1
52	062-0075	Oil drain plug, 3/8" NPT	1
53	032-0072	Oil sight glass w/o-ring	1
54	053-0101	Crankshaft	1
55	051-0100	Bearing 206	1
56	046-0284	Gasket	1
57	077-0172	Carrier	1
58	046-0285	Oil seal	1
59	044-0064	Flywheel, 12" A groove	1
60	146-0026	Key, 5MM x 5 MM	1
61	060-0228	Flywheel washer	1
62	059-0419	Screw, M8 x 25	1
63	051-0098	Insert bearing	2 pr
64	047-0087	Rod	2
65	048-0116	Piston assembly	2
66	054-0235	Ring Set	2
67	165-0263	Overhaul kit, <i>includes items 30-34, 37, 40, 63, 66 and 69</i>	1
68	042-0115	Head and valve plate assy <i>includes items 30-34, 37, 39, 40 and 41</i>	1
69	046-0279	Gaskets, complete set <i>includes items 39, 41, 44, 50, 56 and 58</i>	1

**Parts drawing for manifold assembly 141-0330**



**Parts list for manifold assembly 141-0330**

Item Number	Part Number	Description	Qty. Required
70	032-0092	Gauge	1
71	019-0270	Regulator	1
72	065-0004	Nipple, 1/4" x 2"	1
73	034-0184	Switch, pressure (includes items 74-76)	1
74	071-0033	Strain relief	1
75	061-0216	Screw	1
76	136-0090	Valve, bleeder	1
77	065-0085	Nipple close, 1/4-18	1
78	069-0004	Tee, 1/4"	1
79	032-0025	Gauge, 1/4" bottom connect	1
80	136-0077	Valve, ASME	1
81	062-0035	Plug, 1/4"	1
82	036-0031	Quick connect	1