

The Hot One Garage Heater Owner's Guide

Benefits You Can Depend On

- Ultra-portable with six-foot cord and polarized plug (proper receptacle required)
- HI/LOW switch provides two options for heat output
- Use the fan by itself for air-only circulation
- Built-in adjustable thermostat with 'off' position
- Peace of mind with high temperature safety shut off feature
- Includes bracket for wall mount, ceiling mount, or floor stand use
- Your Cadet heater has been thoroughly tested and is guaranteed with a **limited 5 year warranty**

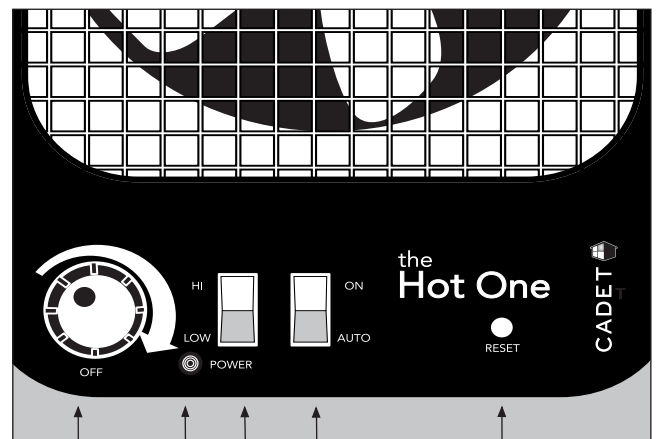
Information is also available on our website:

<http://cadetheat.com/products/garage-heaters/RCP>

The Hot One Specification Table				
Volts	Model with thermostat	Watts high/low	Amps high/low	Plug Type
240	RCP502S	5000/3333	20.8/13.9	30 Amp
	RCP402S	4000/2667	16.7/11.1	20 Amp

The Hot One is recommended for elevations under 7500 feet.

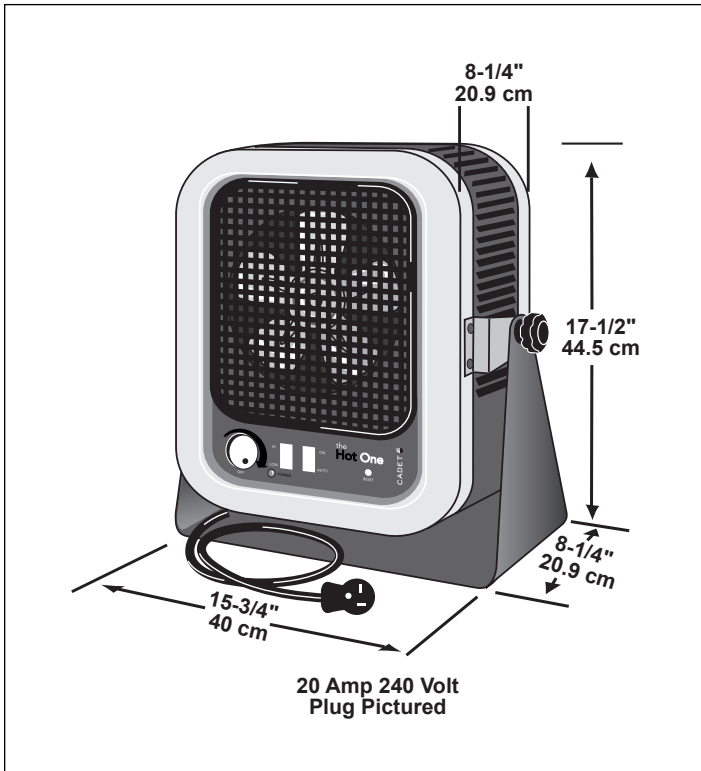
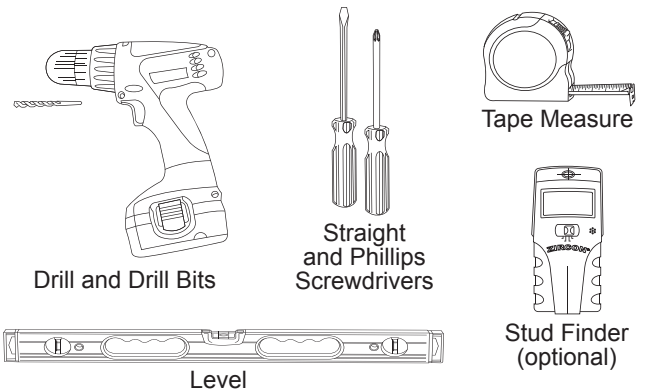
The Hot One Heater Controls:



Thermostat Knob Power Indicator Light ON/AUTO Controls Manual Reset Limit Button

Watts HI/LOW

TOOLS REQUIRED OR YOU MAY NEED:



tested to UL standards

SAVE THESE INSTRUCTIONS

IMPORTANT INSTRUCTIONS

When using electrical appliances, basic precautions should always be followed to reduce the risk of fire, electric shock, and injury to persons, including the following:

1. Read all instructions before using this heater.
2. This heater is hot when in use. To avoid burns, do not let bare skin touch hot surfaces. If provided, use handles when moving this heater. Keep combustible materials, such as furniture, pillows, bedding, papers, clothes and curtains at least 3 feet (.9 m) from the front of the heater and keep them away from the sides and rear.
3. Extreme caution is necessary when any heater is used by or near children or invalids and whenever the heater is left operating and unattended.
4. Always unplug heater when not in use.
5. Do not operate any heater with a damaged cord or plug, or after the heater malfunctions, has been dropped or damaged in any manner. Return heater to authorized service facility for examination, electrical or mechanical adjustment or repair.
6. Do not use outdoors.
7. This heater is not intended for use in bathrooms, laundry areas and similar indoor locations. Never locate heater where it may fall into a bathtub or other water container.
8. Do not run cord under carpeting. Do not cover cord with throw rugs, runners, or similar coverings. Arrange cord away from traffic area and where it will not be tripped over.
9. To disconnect heater, turn controls to off, then remove plug from receptacle.
10. Connect to properly grounded receptacles only.
11. Do not insert or allow foreign objects to enter any ventilation or exhaust opening as this may cause an electric shock or fire, or damage the heater.
12. To prevent a possible fire, do not block air intakes or exhaust in any manner. Do not use on soft surfaces, like a bed, where openings may become blocked.
13. A heater has hot and arcing or sparking parts inside. Do not use it in areas where gasoline, paint, or flammable vapors or liquids are used or stored.
14. Use this heater only as described in this manual. Any other use not recommended by the manufacturer may cause fire, electrical shock, or injury to persons.
15. Always plug heater directly into a wall receptacle. Never use with an extension cord or relocatable power tap (receptacle/power strip).
16. CAUTION: Do not operate without stand attached.
17. Save these instructions.

Grounding Plug and Receptacle Requirements

This heater is for use with 240 volts. The cord has a 20 amp or 30 amp plug as shown in Figure 1. No adapter is available for these blade configurations, and none should be used. The Hot One requires a 240 volt grounded receptacle. When properly installed, it provides a ground connection through the cord to the heater to protect the operator from electric shock. Do not use an extension cord, power strip or any kind of adapter.

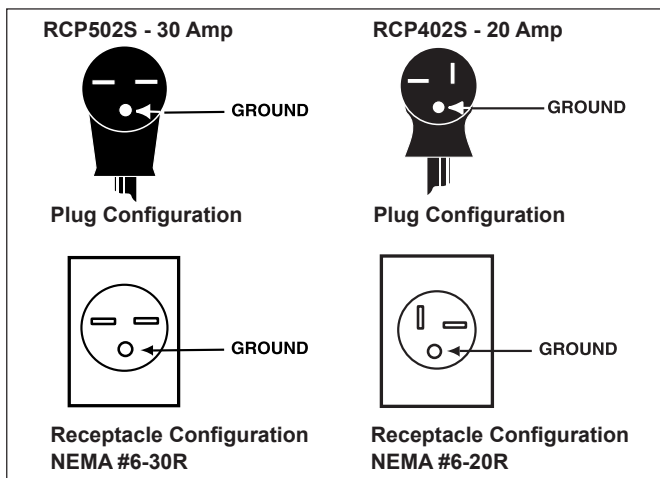


Figure 1

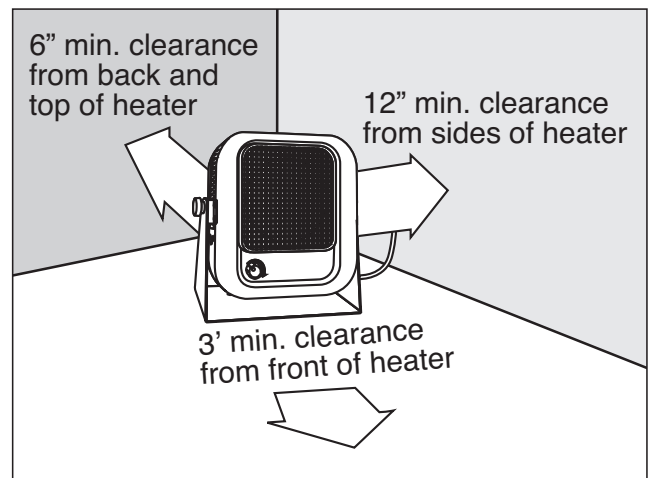


Figure 2

SAVE THESE INSTRUCTIONS

INSTALLATION INSTRUCTIONS

1. **WARNING:** Risk of fire. Do not use as a residential or household heater.
2. Do not use outdoors.
3. This heater is not intended for use in bathrooms, laundry areas, and similar indoor locations.
4. **CAUTION:** Do not operate without stand attached.
5. Heater must be kept clear of all obstructions: 3 foot minimum clearance from front, 6 inch minimum clearance from back and top, and 12 inch minimum clearance from sides. See Figure 2.
6. Always plug the heater directly into a 240 volt wall receptacle. Never use an extension cord.

The Hot One may sit on a floor surface or be mounted to the wall, or on the ceiling, using the universal stand provided. If mounted on the wall, maintain 6 inch minimum clearance from the top of the unit to the ceiling (See Figure 2). Recommended for elevations under 7500 feet.

STEP 1 Heater Inspection

Thoroughly inspect your heater for any shipping or handling damage and remove any paper or packaging material around the heater.

STEP 2 Mounting

Wall Mount

1. Remove stand from heater by loosening knobs on each side.
2. Place stand in desired position on wall (See Figure 3). Note: A 240 volt receptacle must be within six feet of the heater.
3. Using a level across the top of the stand, mark the three keyhole locations indicated (See Figure 4). **IMPORTANT:** the top, center keyhole must be screwed into a wall stud.
4. Insert one of the 2 inch screws provided into the top, center keyhole position, leaving enough of the screw sticking out to attach the stand later (See Figure 6).
5. Using a $\frac{3}{8}$ inch drill bit, drill holes through the drywall in each of the two bottom keyhole positions. Insert drywall anchors (provided) in each hole.
6. Insert the drywall anchor screws until completely screwed in. Then back each anchor screw out about $\frac{1}{2}$ inch. Place the stand on the three exposed screws and tighten all three screws.
7. Place heater on stand and tighten knobs.
8. Proceed to OPERATING INSTRUCTIONS.

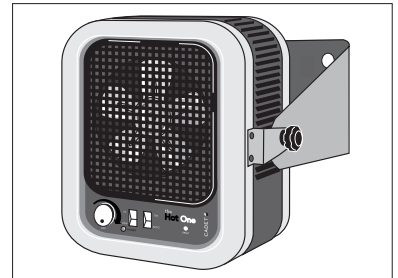


Figure 3

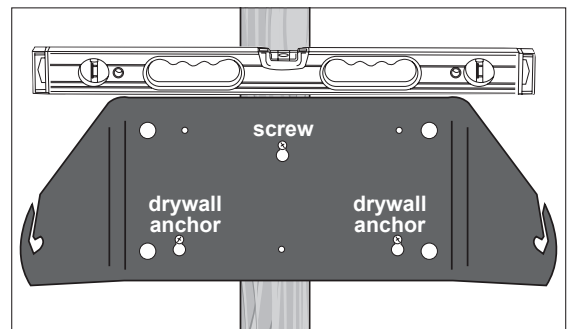


Figure 4

Wall Mount

Ceiling Mount

1. Securely fasten a piece of plywood (not provided) across two of your ceiling rafters that is a minimum of $\frac{1}{2}$ inch thick, 8 inches wide and long enough to span the distance across the two rafters (See Figure 6). Note: A 240 volt receptacle must be within six feet of the heater.
2. Remove stand from heater by loosening knobs on each side.
3. Attach the stand to the plywood with the three 2 inch screws provided through the three small holes indicated (See Figures 5, 6 and 7).
4. Place heater on stand and tighten knobs. Tilt top of heater down approximately 30 to 45 degrees toward your work area (See Figure 8).
5. Proceed to OPERATING INSTRUCTIONS.

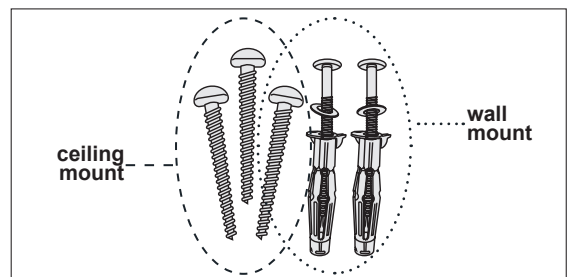


Figure 5

Parts Package

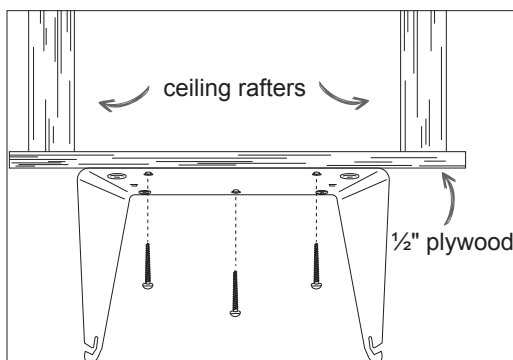


Figure 6

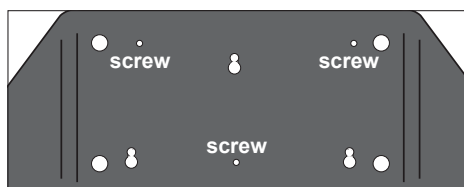


Figure 7

Ceiling Mount

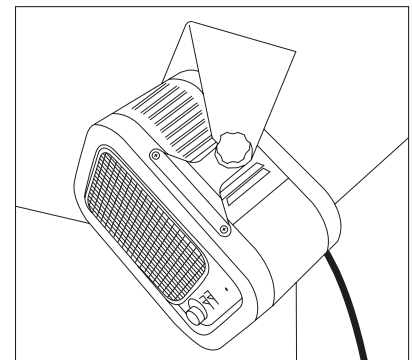


Figure 8

OPERATING INSTRUCTIONS

1. The heater must be properly installed before it is used. Be sure the plug fits tightly into the receptacle. The red light indicates the unit is plugged in.
2. Do not operate without the stand attached.
3. Do not use breaker panel or wall thermostat to control heater.
4. Always unplug heater when not in use.
5. Clean heater at least every six months or as required. See "MAINTAINING YOUR HEATER".
6. CAUTION: Risk of electrical shock. Do not open. No user-serviceable parts inside. Any other service not detailed in this owner's guide should be performed by an authorized service representative.

How to Operate Your Heater

Select the "LOW" wattage setting. If your desired temperature is not reached, select the "HI" setting. NOTE: The temperature of the air coming from the front of the heater will be approximately 40°F warmer than the room temperature in the "HI" setting. With extremely cold environments, air from the heater may not feel hot. As the heater continues to operate, the heater air and surrounding air temperature will continue to increase.

Fan cycling with heat

1. Press the ON/AUTO switch to the "AUTO" position and turn the thermostat knob fully clockwise.
2. When the room reaches your comfort level, turn the thermostat knob counterclockwise until the heater turns off. The heat and the fan will automatically cycle around this preset temperature.
3. To reduce the room temperature, turn the knob counterclockwise. To increase the room temperature, turn the knob clockwise.

Fan running continuously with intermittent heat

- Determined by the thermostat setting
1. Press the ON/AUTO switch to the "ON" position and turn the thermostat knob fully clockwise.
 2. When the room reaches your comfort level, turn the thermostat knob counterclockwise until the heater turns off. The heater will automatically cycle around this preset temperature, however the fan will run constantly.
 3. To reduce the room temperature, turn the knob counterclockwise. To increase the room temperature, turn the knob clockwise.

Fan running continuously with no heat

1. Press the ON/AUTO switch to the "ON" position.
2. Turn the thermostat knob just above the "OFF" position.

Resetting the Manual Reset Limit Control

About the Manual Reset Temperature Limit Control

The heater is protected by a high temperature manual reset control, designed to open the heater circuit and stop the electrical current flow when excessive operating temperatures are detected.

Resetting the Manual Reset Temperature Limit Control

If the manual reset limit control has opened the heater circuit due to excessive operating temperatures, the heater will not work or may blow cold air until the limit reset button is pressed. After allowing the unit to cool for at least 10 minutes and resolving the problem causing the limit to trip (typically the heater is blocked or needs cleaning); use a narrow object such as a ball-point pen to access the reset button through the lower-right hole marked "RESET". Press FIRMLY. If the manual reset continues to trip, see Troubleshooting Chart.



Manual Reset Limit Button

Warranty

For more effective and safer operation and to prolong the life of the heater, read the Owner's Guide and follow the maintenance instructions. Failure to properly maintain the heater will void any warranty and may cause the heater to function improperly. Warranties are non transferable and apply to original consumer only. Warranty terms are set out below.

LIMITED FIVE-YEAR WARRANTY: Cadet will repair or replace any Hot One (RCP) heater found to be defective within five years after the date of purchase.

These warranties do not apply:

1. Damage occurs to the product through improper installation or incorrect supply voltage;
2. Damage occurs to the product through improper maintenance, misuse, abuse, accident, or alteration;
3. The product is serviced by anyone other than Cadet;
4. If the date of manufacture of the product cannot be determined;
5. If the product is damaged during shipping through no fault of Cadet.
6. The use of unauthorized accessories or unauthorized components constitutes an alteration and voids all warranties. Refer to Cadet website or call customer service at 855.CADET.US for list of authorized accessories and components.
7. CADET'S WARRANTY IS LIMITED TO REPAIR OR REPLACEMENT AS SET OUT HEREIN. CADET SHALL NOT BE LIABLE FOR DAMAGES SUCH AS PROPERTY DAMAGE OR FOR CONSEQUENTIAL DAMAGES AND/OR INCIDENTAL EXPENSES RESULTING FROM BREACH OF THESE WRITTEN WARRANTIES OR ANY EXPRESS OR IMPLIED WARRANTY.

8. IN THE EVENT CADET ELECTS TO REPLACE ANY PART OF YOUR CADET PRODUCT, THE REPLACEMENT PARTS ARE SUBJECT TO THE SAME WARRANTIES AS THE PRODUCT. THE INSTALLATION OF REPLACEMENT PARTS DOES NOT MODIFY OR EXTEND THE UNDERLYING WARRANTIES. REPLACEMENT OR REPAIR OF ANY CADET PRODUCT OR PART DOES NOT CREATE ANY NEW WARRANTIES.

9. These warranties give you specific legal rights, and you may also have other rights which vary from state to state. Cadet neither assumes, nor authorizes anyone to assume for it, any other obligation or liability in connection with its products other than as set out herein.

If you believe your Cadet product is defective, please contact Cadet Manufacturing Co. at 855.CADET.US, during the warranty period, for instructions on how to have the repair or replacement processed. Warranty claims made after the warranty period has expired will be denied. Products returned without authorization will be refused.

Parts and Service

Visit cadetheat.com/parts-service for information on where to obtain parts and service.



Reduce-Reuse-Recycle

This product is made primarily of recyclable materials. You can reduce your carbon footprint by recycling this product at the end of its useful life. Contact your local recycling support center for further recycling instructions.

MAINTAINING YOUR HEATER

Maintenance As Needed, or every six months minimum.

⚠ WARNING: Any other service not detailed in this Owner's Guide should be performed by an authorized service representative.

1. Allow the heater to cool, then disconnect the power cord from power supply. To disconnect heater, turn control to "OFF", then remove plug from receptacle.
2. Remove front diffuser grill by removing the four screws (one from each corner).
3. Wash grill with hot soapy water and dry, or use air compressor to blow debris from grill louvers.
4. While holding fan (to avoid damage or bending), use an air compressor, hair dryer or vacuum on blow cycle to blow debris through the outer cabinet louvers and finned elements.
5. Vacuum or blow air inside fan area without touching the elements.
6. Carefully wipe off the fan blade without damaging or bending it.
7. Replace diffuser grill and secure with screws.

Troubleshooting Chart

***CONSULT LOCAL ELECTRICAL CODES TO DETERMINE WHAT WORK MUST BE PERFORMED BY QUALIFIED ELECTRICAL SERVICE PERSONNEL. ALWAYS UNPLUG HEATER BEFORE SERVICING.**

Symptom	Problem	Solution
The plug does not fit receptacle.	1. Heater is 240 volt requiring a 20 amp or 30 amp 240 volt receptacle (see Figure 1 in "INSTALLATION INSTRUCTIONS").	1. DO NOT alter cord. Install the proper 240 volt receptacle (see Figure 1 in "INSTALLATION INSTRUCTIONS").*
Heater does not operate.	1. Heater is or has been blocked. 2. Thermostat set too low. 3. Circuit breaker not turned on. 4. Loose plug connection. 5. Defective manual reset limit.	1. Remove obstruction. Push manual reset button found in front lower panel. 2. Turn knob clockwise until a click sound is heard. 3. Turn circuit breaker on. 4. Check plug connection. 5. Replace manual reset limit.*
Elements heat, fan does not operate.	1. Jammed fan blade. 2. Defective motor.	1. Remove obstruction. 2. Replace fan motor.*
Heater fan operates, but does not discharge warm air.	1. Manual reset limit tripped. 2. ON/AUTO switch is "ON" and thermostat setting is below actual temperature. 3. Defective heater elements. 4. Wire loose from elements. 5. Temperature rise on heater is 40°F.	1. Allow heater to cool, then push reset. 2. Increase the thermostat setting; turn ON/AUTO switch to "AUTO". 3. Replace elements.* 4. Check and correct loose wire. 5. Close doors or windows. Provide additional insulation and/or heaters. Wait for room to warm up.
Heater does not shut off.	1. Heat loss from area is greater than heater capacity. 2. Defective thermostat. 3. ON/AUTO switch in "ON" position.	1. Close doors or windows. Provide additional insulation and/or heaters. 2. Replace thermostat.* 3. Change ON/AUTO switch to "AUTO" setting.
Heater discharges smoke.	1. Dust, dirt, and lint accumulated inside the heater. 2. Jammed blade.	1. Clean heater. (See "MAINTAINING YOUR HEATER" section for instructions). Blow dirt accumulation off heater with compressed air (air compressor recommended). 2. Remove obstruction.
Manual reset limit trips repeatedly.	1. Overheating. 2. Overheating at shutdown. 3. Overheating from excessive dust or dirt particles. 4. Overheating due to elevation of location.	1. Check all clearance requirements. 6" minimum clearance required between top of heater and ceiling. Tilt top of heater down approximately 30 to 45 degrees toward your work area. 2. Discontinue use of breaker to control heater. 3. Clean heater (See "MAINTAINING YOUR HEATER" section for instructions). 4. Location elevation exceeds recommended 7500 feet.

MAINTAINING YOUR HEATER (continued)

Parts List

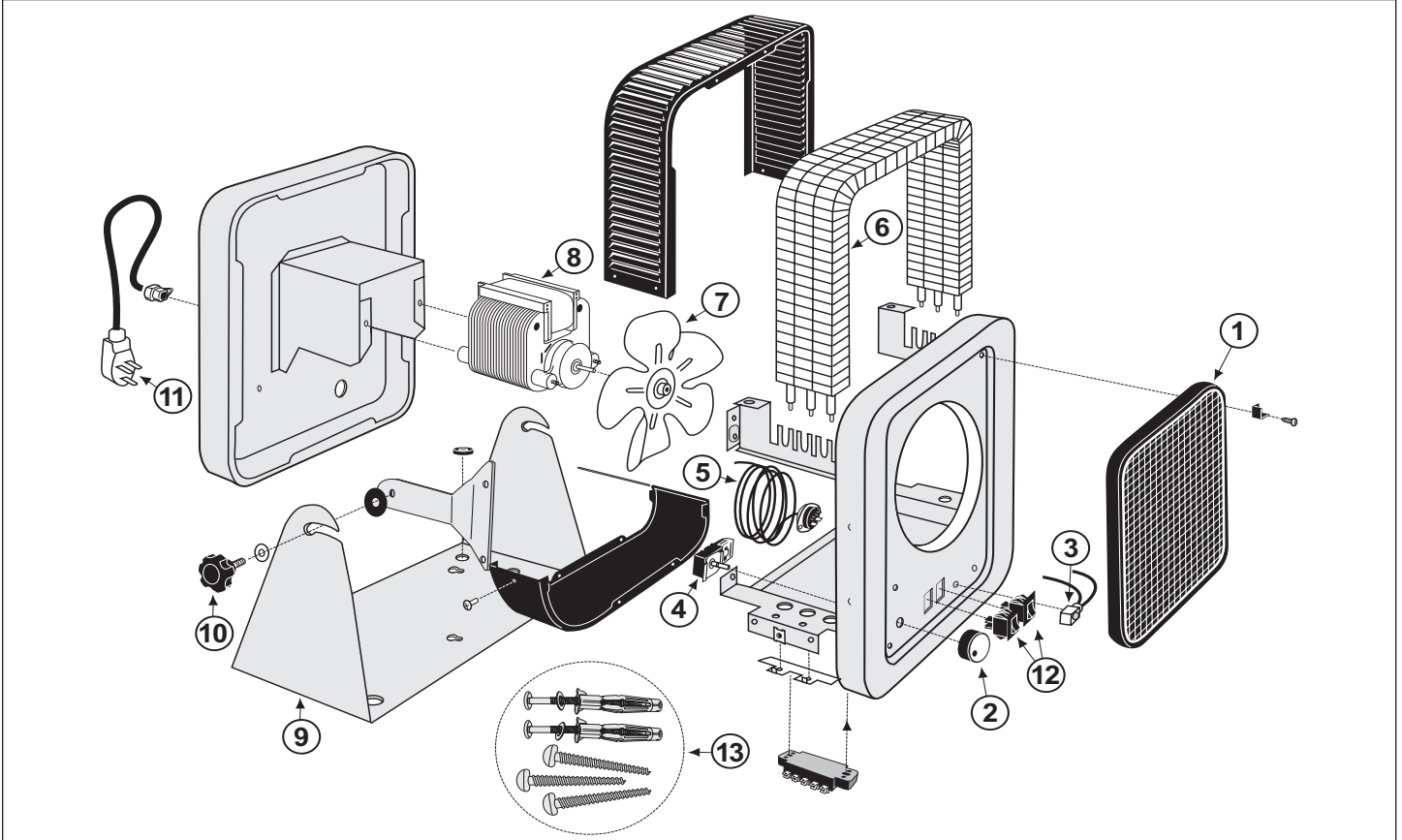


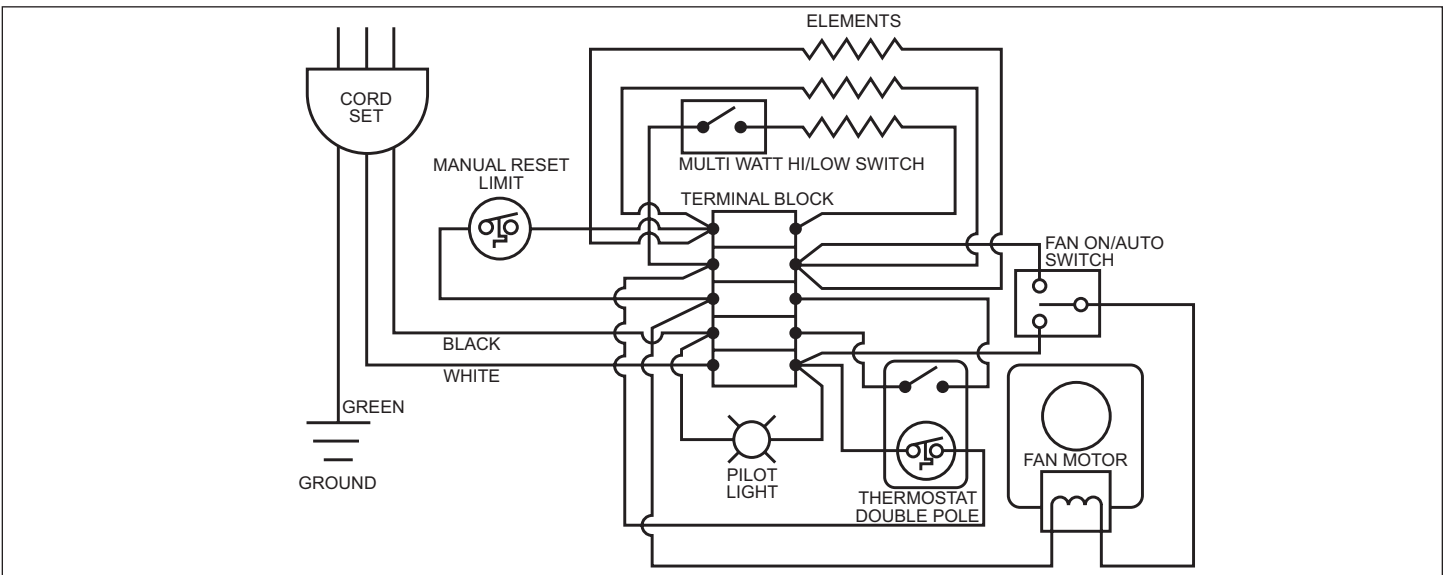
Figure 4

Note: Only the items listed below are available for purchase.

Parts List

- | | | | | | |
|----|--------|------------------------------------------|-----|--------|-------------------------------|
| 1. | 410102 | Front Diffuser Grill Assembly with clips | 8. | 051424 | Fan Motor |
| 2. | 040019 | Thermostat Knob | 9. | 400202 | Mounting Stand |
| 3. | 050524 | Pilot Light | 10. | 040023 | Mounting Knob |
| 4. | 051226 | Thermostat | 11. | 051901 | Cordset, RCP402S |
| 5. | 050327 | Temperature Limit Switch | 12. | 051903 | Cordset, RCP502S |
| 6. | 401723 | Element, RCP402S 1333/1000W (3 req.) | 12. | 051707 | Rocker Switch (HI/LOW) |
| | 401726 | Element, RCP502S 1667/1332W (3 req.) | 12. | 051708 | Rocker Switch (ON/AUTO) |
| 7. | 001601 | Fan Blade | 13. | 100740 | Parts Package Mounting Screws |

Wiring Diagram



El Calentador The Hot One Guía Para el Propietario

También puede encontrar información en nuestro sitio web:
<http://cadetheat.com/products/garage-heaters/RCP>

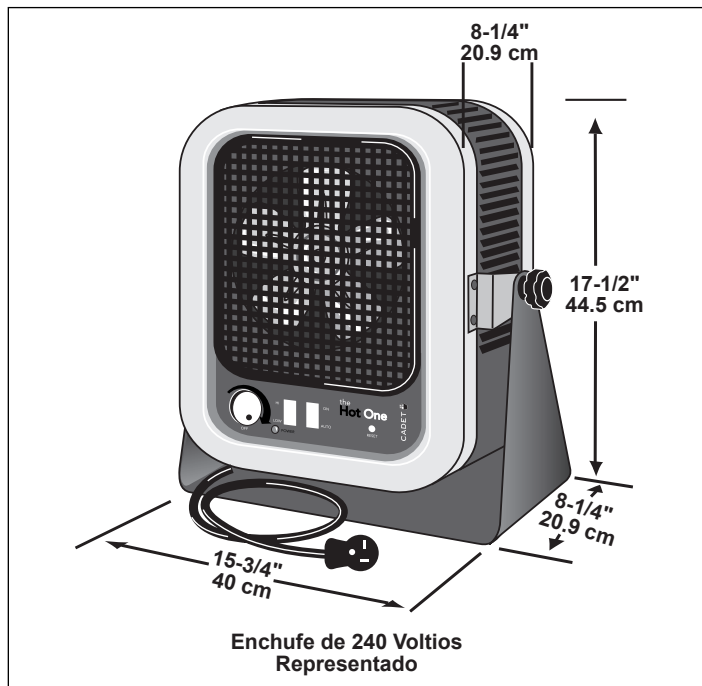
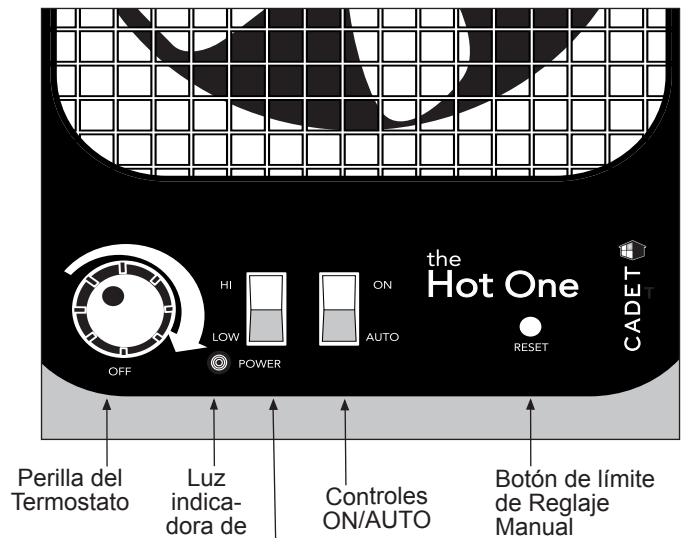
Beneficios En Las Que Puede Confiar

- Ultraportátil con cable de seis pies y enchufe polarizado (se requiere el tomacorriente correcto)
- El interruptor HI/LOW ofrece dos opciones para la generación de calor
- Use el ventilador por sí solo para la circulación exclusiva de aire
- Termostato ajustable incorporado con posición de apagado 'off'
- Tranquilidad y seguridad gracias a la característica de corte automático por alta temperatura
- Incluye ménsula para montaje mural, montaje en el cielo raso, o uso en soporte de piso
- El calentador Cadet se ha probado completamente y cuenta con el respaldo de una **garantía limitada de 5 años**

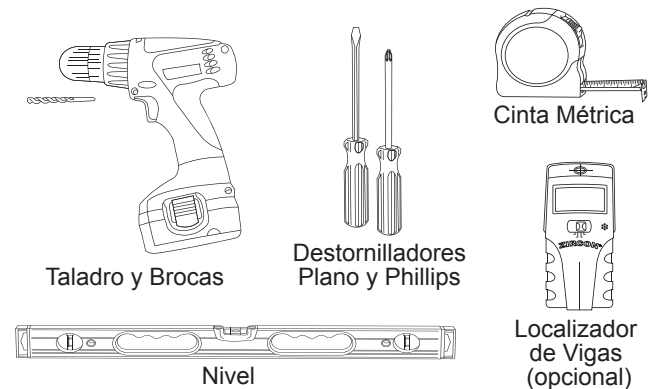
The Hot One Tabla de Especificaciones				
Voltios	Modelo con Termostato	Vatios alta / baja	Amps alta / baja	Tipo de Enchufe
240	RCP502S	5000/3333	20.8/13.9	30 Amp
	RCP402S	4000/2667	16.7/11.1	20 Amp

The Hot One se recomienda para elevaciones inferiores a 7500 pies.

Controles del Calentador The Hot One



HERRAMIENTAS NECESARIAS O QUE PUEDA NECESITAR:



probado para las normas UL

CONSERVE ESTAS INSTRUCCIONES

cadetheat.com Tel: 855.CADET.US PO Box 1675 Vancouver, WA 98668-1675

INSTRUCCIONES IMPORTANTES

Al utilizar artefactos eléctricos, siempre se deben adoptar precauciones básicas para reducir el riesgo de incendios, electrocución y lesiones personales, incluyendo lo siguiente:

1. Lea todas las instrucciones antes de usar este calentador.
2. Este calentador se calienta cuando está en uso. Para evitar quemaduras, no lo toque con su piel descubierta. Use las manijas, si las hubiera, al mover este calentador. Mantenga los materiales combustibles tales como muebles, cojines, camas, papeles, ropas y cortinas a una distancia de por lo menos 3 pies (9 m) de la parte delantera, trasera y costados del calentador.
3. Tenga mucho cuidado cuando use el calentador en o cerca de niños o de personas inválidas, y cada vez que lo deje funcionando y sin vigilancia.
4. Siempre desenchufe el calentador cuando no lo esté usando.
5. No opere el calentador si el cable o enchufe están dañados, si se ha caído o sufrido algún tipo de daño. Devuelva el calentador a un centro de servicio autorizado para que lo revisen, le realicen ajustes eléctricos o mecánicos, o lo reparen.
6. No lo use a la intemperie.
7. Este calentador no está hecho para usarse en baños, zonas de lavandería ni otros lugares similares bajo techo. Nunca coloque el calentador donde pueda caer en una bañera o algún otro recipiente con agua.
8. No tienda el cable bajo las alfombras. No cubra el cable con alfombras, tapetes ni objetos similares. Disponga el cable lejos de zonas de tránsito, donde no produzca riesgo de tropiezo.
9. Para desconectar el calentador, ponga el control en "OFF" y luego quite el enchufe del tomacorriente.
10. Conecte la unidad sólo a tomacorrientes con una buena puesta a tierra.
11. No introduzca ni permita que ingresen objetos en las aberturas de la ventilación o escape, ya que ello puede causar electrocución o incendio, o bien dañar el calentador.
12. Para de aire ni el escape de manera alguna. No lo use en superficies blandas como una cama, donde las aberturas se puedan obstruir.
13. Todo calentador contiene piezas que se calientan y pueden producir arcos voltaicos o chispas. No lo use en áreas donde se utilice o almacene gasolina, pintura, o vapores o líquidos inflamables.
14. Use este calentador sólo como se describe en este manual. Todo otro uso no recomendado por el fabricante puede causar incendios, descargas eléctricas o lesiones personales.
15. Siempre enchufe el calentador directamente en un tomacorriente mural. Nunca lo use con un cable de extensión ni con una toma de alimentación reubicable (tomacorriente/regleta).
16. PRECAUCIÓN: No opere la unidad sin que tenga su soporte.
17. Conserve estas instrucciones.

Requisitos de enchufes de puesta a tierra y tomacorrientes

Éste calentador se debe usar con 240 voltios. El cable tiene un enchufe de 20 o 30 amperios, tal como se aprecia en la Figura 1. No existen adaptadores para estas configuraciones de clavijas, por lo que no se debe utilizar ninguno. El modelo The Hot One requiere un tomacorriente de 240 voltios con puesta a tierra. Cuando se instala correctamente, pone el calentador a tierra a través del cable para proteger al operador contra electrocuciones. No use cable de extensión, regleta ni ningún tipo de adaptador.

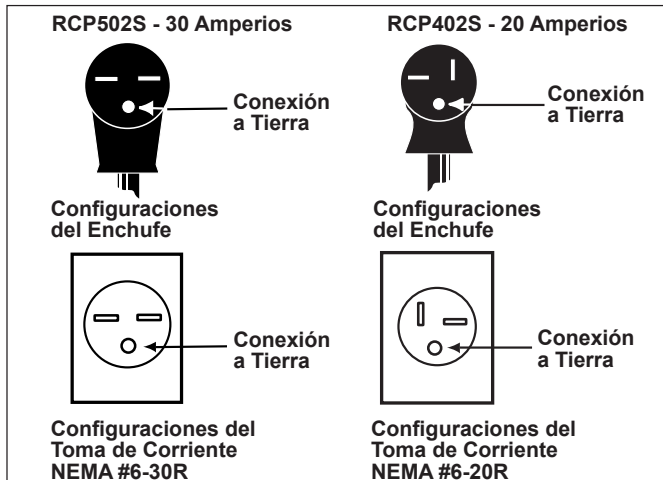


Figura 1

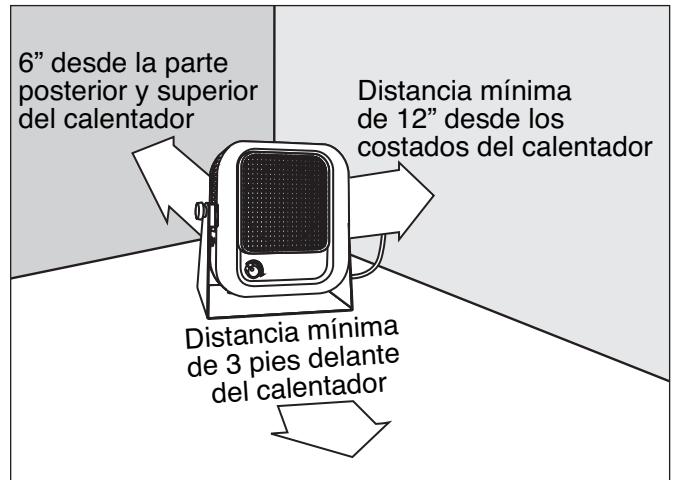


Figura 2

CONSERVE ESTAS INSTRUCCIONES

INSTRUCCIONES PARA LA INSTALACIÓN

1. **ADVERTENCIA:** Riesgo de incendio. No lo use como calentador residencial o doméstico.
2. No lo use afuera o al aire libre.
3. Este calentador no está hecho para usarse en baños, zonas de lavandería ni otros lugares similares bajo techo.
4. **PRECAUCIÓN:** No opere la unidad sin que tenga su soporte.

5. El calentador debe mantenerse sin obstrucciones: Distancia mínima de 3 pies por delante, 6 pulgadas por detrás y por encima, y 12 pulgadas como mínimo por los costados. Vea la Figura 3.
6. Siempre enchufe el calentador directamente en un tomacorriente mural de 240 voltios. Nunca lo use con un cable de extensión.

El modelo The Hot One se puede colocar en el piso, en la pared o bien en el cielo raso, usando el soporte universal suministrado. Si se monta en la pared, mantenga un espacio mínimo de 6 pulgadas desde la parte superior de la unidad hasta el cielo raso (Vea la Figura 2). Recomendado para elevaciones inferiores a 7500 pies.

PASO 1 Inspeccion del Calentador

Inspeccionar cuidadosamente su calentador para verificar que el mismo no ha sido dañado durante el envío o manejo y quitar todo el material de embalaje o papeles que se encuentren alrededor del calentador.

PASO 2 Montaje

Montaje Mural

1. Quite el soporte del calentador aflojando las perillas en cada lado.
2. Coloque el soporte en la posición deseada en la pared (Consulte la Figura 3).
Nota: Debe haber un tomacorriente de 240 voltios a una distancia máxima de seis pies del calentador.
3. Usando un nivel en la parte superior del soporte, marque la ubicación de los tres orificios tipo ojo indicadas (Vea la Figura 4). **IMPORTANTE:** el orificio tipo ojo central superior debe atornillarse en el puntal de la pared.
4. Introduzca el tornillo de cabeza plana de 2 pulgadas (incluido) en la posición del orificio tipo ojo central superior, dejando que el tornillo sobresalga lo suficiente para fijar posteriormente el soporte (Vea la Figura 5).
5. Usando una broca de $\frac{3}{8}$ de pulgada, perfore orificios por la lámina de yeso en cada una de las dos posiciones inferiores de la abertura. Introduzca anclajes para paredes de yeso (incluidos) en cada orificio.
6. Inserte los tornillos de anclaje hasta introducirlos totalmente. Luego desenróquelos en aproximadamente $\frac{1}{2}$ pulgada. Coloque el soporte en los tres tornillos expuestos y apriete estos últimos.
7. Coloque el calentador en el soporte y apriete las perillas.
8. Prosiga con OPERACIÓN DEL CALENTADOR.

Montaje en el Cielo Raso

1. Fije firmemente una tabla de madera contrachapada (no suministrada) entre dos de las vigas del cielo raso, que sea como mínimo de $\frac{1}{2}$ pulgada de grosor, 8 pulgadas de ancho y del largo suficiente para cubrir la distancia entre ambas vigas (Consulte la Figura 6). Nota: Debe haber un tomacorriente de 240 voltios a una distancia máxima de seis pies del calentador.
2. Quite el soporte del calentador aflojando las perillas en cada lado.
3. Sujete el pedestal a la madera contrachapada mediante los tres tornillos de 2 pulgadas suministrados, pasándolos por los tres pequeños orificios indicados (Vea las Figuras 5, 6 y 7).
4. Coloque el calentador en el soporte y apriete las perillas. Incline hacia abajo la parte superior del calentador aproximadamente unos 30 a 45 grados hacia su zona de trabajo (Vea la Figura 8).
5. Prosiga con OPERACIÓN DEL CALENTADOR.

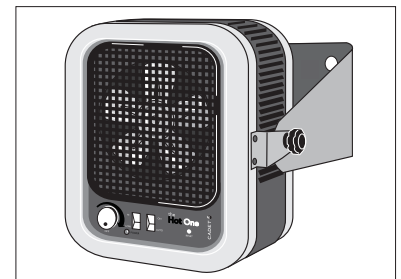


Figura 3

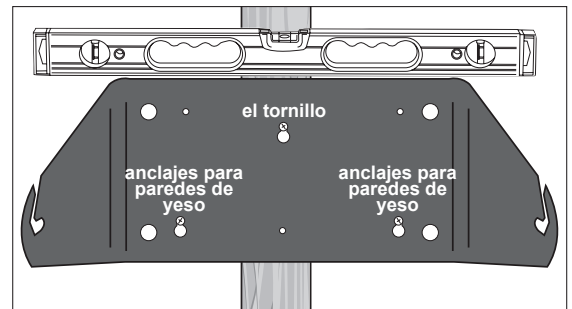


Figura 4

Montaje Mural

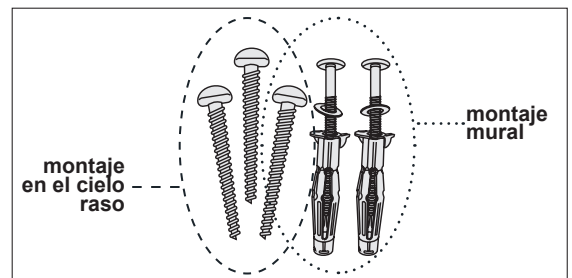


Figura 5

Paquete de Piezas

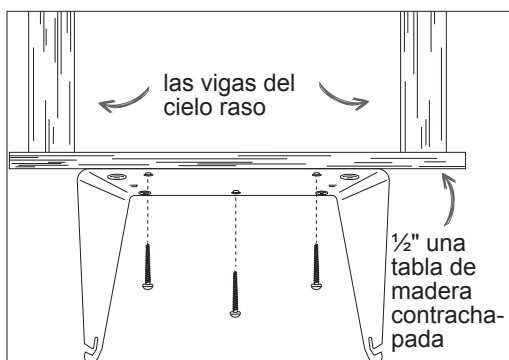


Figura 6

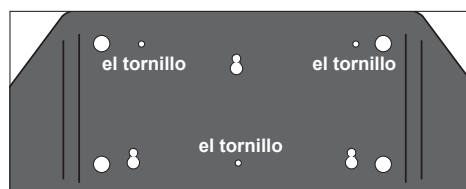


Figura 7

Montaje en el Cielo Raso

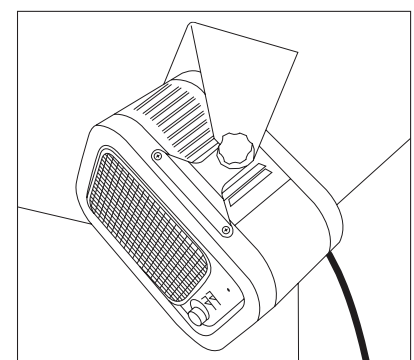


Figura 8

OPERACIÓN DEL CALENTADOR

1. El calentador debe instalarse correctamente antes de usarlo. El enchufe debe calzar exactamente en el tomacorriente. La luz roja indica que la unidad está encendida.
2. No opere la unidad sin que tenga su soporte.
3. No utilice el panel de cortacircuitos, ni el termostato mural para controlar el calentador.
4. Siempre desenchufe el calentador cuando no lo esté usando.

Cómo hacer funcionar el calentador

Seleccione el ajuste de vatiaje "LOW". Si no alcanza la temperatura que desea, seleccione el ajuste "HI". NOTA: La temperatura del aire procedente de la frontal del calentador sera aproximadamente 40°F mas caliente que la temperatura ambiente en el ajuste "HI". En entornos extremadamente frios, el aire del calentador puede no parecer caliente. A medida que el calentador continúa funcionando, el aire y la temperatura circundante continuará aumentando.

Ciclos del ventilador con calor

1. Pulse el interruptor ON/AUTO en la posición de "AUTOMÁTICO" y luego gire la perilla del termostato completamente en el sentido de las manecillas del reloj.
2. Cuando la habitación haya alcanzado un nivel cómodo, gire la perilla del termostato en sentido contrario a las manecillas del reloj hasta que el calentador se apague. El calor y el ventilador se encenderán y apagará automáticamente según esta temperatura preestablecida.
3. Para reducir la temperatura del ambiente, gire la perilla en sentido contrario a las manecillas del reloj. Para aumentar la temperatura del ambiente, gire la perilla en sentido contrario a las manecillas del reloj.

Ventilador funcionando continuamente con calor intermitente

- Determinado por el ajuste del termostato
1. Pulse el interruptor ON/AUTO en la posición de "ON" y luego gire la perilla del termostato completamente en el sentido de las manecillas del reloj.
 2. Cuando la habitación haya alcanzado un nivel cómodo, gire la perilla del termostato en sentido contrario a las manecillas del reloj hasta que el calentador se apague. El calentador comenzará a encenderse y apagarse automáticamente según esta temperatura prefijada, pero el ventilador funcionará constantemente.
 3. Para reducir la temperatura del ambiente, gire la perilla en sentido contrario a las manecillas del reloj. Para aumentar la temperatura del ambiente, gire la perilla en el sentido de las manecillas del reloj.

Ventilador funcionando continuamente sin calor

1. Pulse el interruptor ON/AUTO en la posición de "ON".
2. Gire la perilla del termostato justo sobre la posición de "APAGADO".

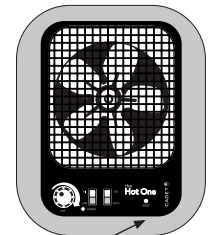
Cómo restablecer el control de límite de reglaje manual

Acerca del Control de límite de Temperatura de Reglaje Manual

El calentador está protegido mediante un interruptor de reglaje manual de alta temperatura, diseñado para abrir el circuito del calentador y detener el flujo de corriente eléctrica cuando se detectan temperaturas de funcionamiento excesivas.

Cómo Restablecer el Control de Límite de Reglaje Manual

Si el control de límite de reglaje manual ha abierto el circuito del calentador debido a temperaturas de funcionamiento excesivas, el calentador no funcionará o bien puede soplar aire frío hasta que se oprima el botón de reglaje del límite. Después de dejar que la unidad se enfríe durante unos 10 minutos y resolver el problema que causa que se disyunte el interruptor de límite (generalmente el calentador está bloqueado o necesita limpieza), utilice un objeto puntiagudo como un bolígrafo para acceder al botón de reglaje a través del orificio inferior derecho marcado "RESET". Oprima el botón FIRMEMENTE y asegúrese de escuchar y sentir un chasquido indicando que se ha restablecido. Si el reglaje manual continúa disyuntándose, revise el espacio libre alrededor del calentador y cerciórese de que cumpla con las distancias recomendadas.



Botón de límite de Reglaje Manual

Garantía

Para lograr una operación más eficaz y segura y prolongar la vida útil del calentador, lea la Guía del propietario y siga las instrucciones de mantenimiento. Si no le da el mantenimiento adecuado al calentador invalidará la garantía y puede hacer que el aparato funcione incorrectamente. Las garantías no son transferibles y rigen sólo para el comprador original. Los términos de la garantía se indican a continuación.

GARANTÍA LIMITADA DE CINCO AÑOS: Cadet reparará o reemplazará todo calentador The Hot One (RCP) que se determine esté averiado en un plazo de cinco años a partir de la fecha de compra.

Estas garantías no son pertinentes para:

1. Daños que sufra el producto por instalación o voltaje de suministro incorrectos;
2. Daños que sufra el producto por mantenimiento incorrecto, uso indebido, abuso, accidente o alteraciones;
3. Servicio que se le haya dado al producto por parte de personas o entidades ajenas a Cadet.
4. Casos en que no se pueda determinar la fecha de fabricación del producto;
5. Casos en que el producto resulte dañado durante el embarque por causas ajenas a Cadet.
6. El uso de accesorios o componentes no autorizados constituye una alteración e invalida las garantías. Consulte el sitio web de Cadet o bien llame al servicio al cliente al 855.CADET.US para ver una lista de los accesorios y componentes autorizados.
7. LA GARANTÍA DE CADET SE LIMITA A LA REPARACIÓN O REEMPLAZO, TAL COMO SE ESTABLECE EN ESTE DOCUMENTO. CADET NO SE HARÁ RESPONSABLE POR DAÑOS A LA PROPIEDAD O DAÑOS CONSECUENTES, COMO TAMPOCO POR GASTOS ACCIDENTALES DEBIDO AL INCUMPLIMIENTO DE ESTAS GARANTÍAS ESCRITAS O DE CUALQUIER GARANTÍA EXPRESA O IMPLÍCITA.

8. EN CASO DE QUE CADET DECIDA REEMPLAZAR ALGUNA PIEZA DEL PRODUCTO CADET, LOS REPUESTOS SE REGISTRAN POR LAS MISMAS GARANTÍAS DEL PRODUCTO. LA INSTALACIÓN O REEMPLAZO DE LOS REPUESTOS NO MODIFICA NI PROLONGA LAS GARANTÍAS VIGENTES. EL REEMPLAZO O REPARACIÓN DE TODO PRODUCTO O PIEZA CADET NO ORIGINA NINGÚN TIPO DE NUEVA GARANTÍA.

9. Estas garantías le otorgan derechos legales específicos y es posible que usted tenga otros derechos que varíen de un estado a otro. Cadet no asume ni autoriza a nadie que lo haga en su nombre, ninguna otra obligación o responsabilidad en relación con sus productos que no sean las que se establecen en este documento.

Si durante el período de garantía usted considera que su producto Cadet presenta defectos, comuníquese con Cadet Manufacturing Co. llamando al 855.CADET.US para obtener instrucciones sobre cómo tramitar la reparación o el reemplazo del producto. Los reclamos de garantía presentados después de la finalización del período no serán acogidos. Los productos que se devuelvan sin autorización serán rechazados.

Repuestos y Servicio

En cadetheat.com/parts-service encontrará información sobre dónde obtener repuestos y servicio.

Reduzca-Reuse-Recycle

Este producto está hecho principalmente de materiales reciclables. Puede reducir la cantidad de carbono que contribuye al medio ambiente reciclando este producto al término de su vida útil. Comuníquese con su centro local de reciclaje para obtener mayores instrucciones al respecto.



MANTENIMIENTO DEL CALENTADOR

Mantenimiento Según sea necesario, o cada seis meses como mínimo.

⚠ ADVERTENCIA: Toda otra labor no detallada en esta Guía para el propietario la debe efectuar un representante de servicio autorizado.

1. Deje que el calentador se enfríe, y luego desconecte el cable eléctrico de la fuente de alimentación. Para desconectarlo, ponga el control en "OFF" y luego quite el enchufe del tomacorriente.

2. Quite la rejilla difusora delantera extrayendo los 4 tornillos (1 de cada esquina).

3. Lave la rejilla con agua caliente con detergente y séquela, o bien use un compresor de aire para soplar la suciedad de las persianas.

4. Mientras sujeta el ventilador (para evitar que se dañe o tuerza), utilice un compresor de aire, un secador de cabello o una aspiradora en el ciclo de soplado para quitar la suciedad en las persianas del armario externo y los elementos con aletas (sin tocarlos, ya que éstos tienen superficies afiladas).

5. Aspire o sople aire dentro de la zona del ventilador sin tocar los elementos.

6. Limpie cuidadosamente el aspa con un paño sin dañarla ni torcerla.

7. Vuelva a instalar la rejilla difusora y fíjela con los tornillos.

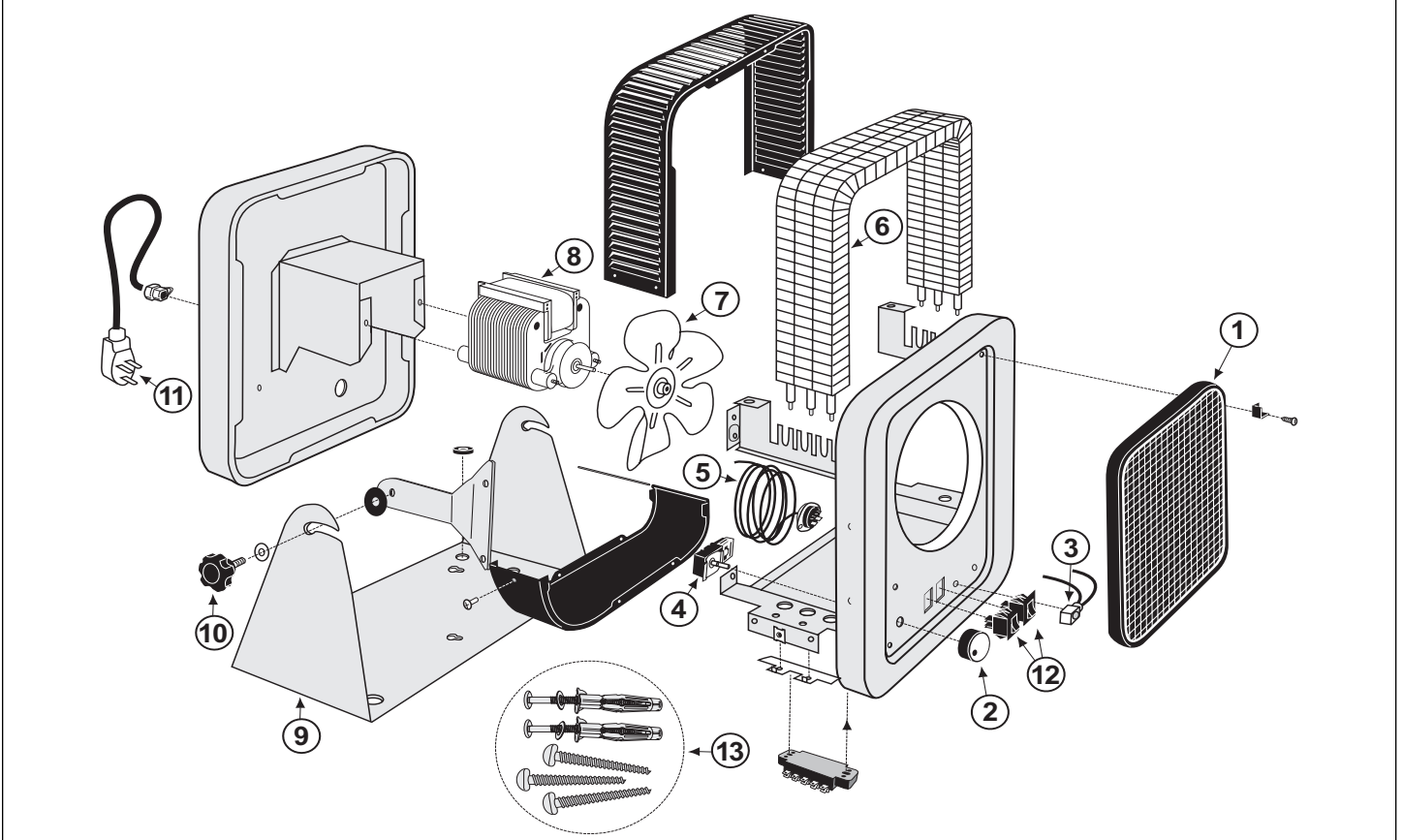
Tabla de resolución de problemas

***CONSULTE LOS CÓDIGOS ELÉCTRICOS LOCALES PARA DETERMINAR QUÉ TRABAJOS DEBEN SER REALIZADOS POR PERSONAL DE SERVICIO ELÉCTRICO CALIFICADO. SIEMPRE DESENCHUFE EL CALENTADOR ANTES DE DARLE SERVICIO.**

Síntoma	Problema	Solución
El enchufe no calza en el tomacorriente.	1. El calentador es de 240 voltios por lo que requiere un tomacorriente también de 240 voltios y de 20 ó 30 amperios (ver Figura 1 en INSTRUCCIONES PARA LA INSTALACIÓN).	1. NO altere el cable. Instale un tomacorriente correcto de 240 voltios (consulte la Figura 1 en INSTRUCCIONES PARA LA INSTALACIÓN).*
El calentador no funciona.	1. El calentador está o ha estado bloqueado. 2. El termostato se ha graduado muy bajo. 3. El cortacircuito no está encendido. 4. Conexión del enchufe suelta. 5. Limitador de reglaje manual averiado.	1. Retire la obstrucción. Presione el botón de reglaje manual que se encuentra en el panel delantero inferior. 2. Gire la perilla en el sentido de las manecillas del reloj hasta que se escuche un chasquido. 3. Encienda el cortacircuito. 4. Verifique la conexión del enchufe. 5. Reemplace el limitador de reglaje manual.*
Los elementos calientan, pero el ventilador no funciona.	1. Aspa del ventilador atascada. 2. Motor defectuoso.	1. Retire la obstrucción. 2. Reemplace el motor del ventilador.*
El ventilador del calentador funciona pero no envía aire caliente.	1. Se disyuntó el limitador de reglaje manual. 2. Interruptor ON/AUTO del ventilador está encendido en "ON" y el ajuste del termostato está bajo la temperatura real. 3. Elementos calentadores defectuosos. 4. Alambre suelto en los elementos. 5. El aumento de temperatura en el calentador es de 40°F.	1. Deje que el calentador se enfríe y luego presione el reglaje. 2. Aumente el ajuste del termostato; coloque el interruptor ON/AUTO del ventilador en "AUTO". 3. Reemplace los elementos.* 4. Revise y corrija el alambre suelto. 5. Cierre puertas y ventanas. Ponga más aislamiento o más calentadores. Espere que la habitación se entibie.
El calentador no se apaga.	1. La pérdida de calor de la zona es superior a la capacidad del calentador. 2. Termostato defectuoso. 3. El interruptor ON/AUTO del ventilador está encendido en "ON".	1. Cierre puertas y ventanas. Ponga más aislamiento o más calentadores. 2. Reemplace el termostato.* 3. Cambie el interruptor ON/AUTO del ventilador al ajuste "AUTO".
El calentador emite humo.	1. Se han acumulado polvo, suciedad y pelusas dentro del calentador. 2. Aspa del ventilador atascada.	1. Limpie el calentador (vea las instrucciones en la sección "MANTENIMIENTO DEL CALENTADOR"). Limpie la acumulación de suciedad del calentador con aire comprimido (se recomienda usar un compresor de aire). 2. Retire la obstrucción.
El limitador de reglaje manual se disyunta reiteradamente.	1. Sobrecalentamiento. 2. Sobrecalentamiento al apagar el aparato. 3. Sobrecalentamiento por exceso de polvo o partículas de suciedad. 4. Sobrecalentamiento debido a la elevación del lugar de instalación.	1. Verifique todos los requisitos de espaciado. Se requiere un espaciado mínimo de 6 pulg. entre la parte superior del calentador y el cielo raso. Incline hacia abajo la parte superior del calentador aproximadamente unos 30 a 45 grados hacia su zona de trabajo. 2. Deje de usar el cortacircuito para controlar el calentador. 3. Limpie el calentador (vea las instrucciones en la sección "MANTENIMIENTO DEL CALENTADOR"). 4. La elevación del lugar de instalación sobrepasa los 7500 pies recomendados.

MANTENIMIENTO DEL CALENTADOR (continuación)

Lista de Piezas



Nota: Sólo los elementos antedichos están disponibles para la venta.

Figura 4

Lista de Piezas

1.	410102	Conjunto de Rejilla Difusora Frontal con Presillas	7.	001601	Ventilador de Aspas
2.	040019	Perilla del Termostato	8.	051424	Motor del Ventilador
3.	050524	Luz de Piloto	9.	400202	Soporte de Montaje
4.	051226	Termostato	10.	040023	Perilla de Montaje
5.	050327	Interruptor de Límite de Temperatura	11.	051901	Juego de Cables, RCP402S
6.	401723	Elemento, RCP402S 1333/1000W (se req. 3)	12.	051903	Juego de Cables, RCP502S
	401726	Elemento, RCP502S 1667/1332W (se req. 3)	12.	051707	Interruptor Basculante (HI/LOW)
				051708	Interruptor Basculante (ON/AUTO)
			13.	100740	Paquete de Piezas Tornillos de Montaje

Diagramas de cableado

