

Windfall Outdoor

OD785_ 1.0



Outdoor

GENERAL PRODUCT INFORMATION:



This product is suitable for wet locations.

This product can mount either to a 4" square electrical box with a round plaster ring or an octagon electrical box.

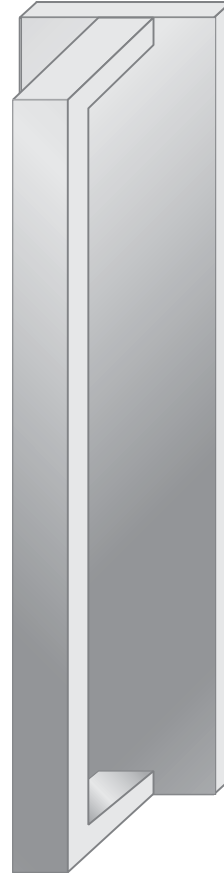
This product may be dimmed with a low-voltage electronic dimmer.

This instruction shows a typical installation.

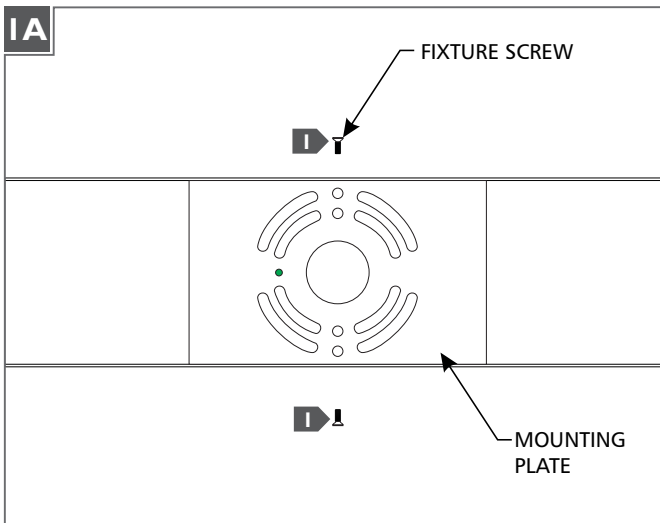
CAUTION - RISK OF FIRE

This product must be installed in accordance with the applicable installation code by a person familiar with the construction and operation of the product and the hazards involved.

Use minimum 90°C supply conductors.

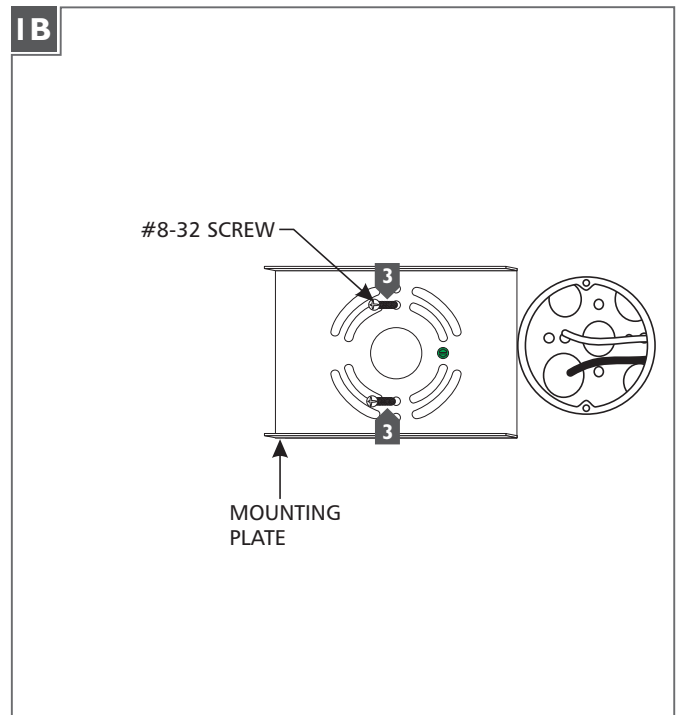


Install the Fixture

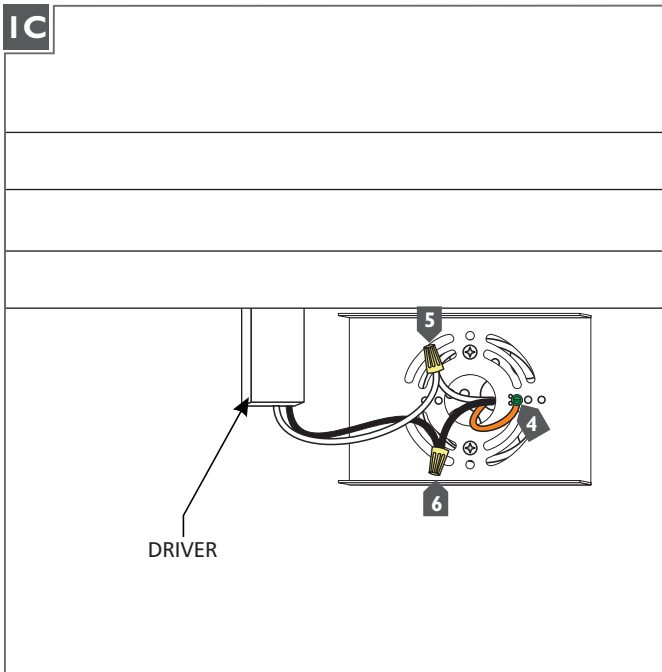


1 Remove the two fixture screws located on the top and bottom of the fixture base.

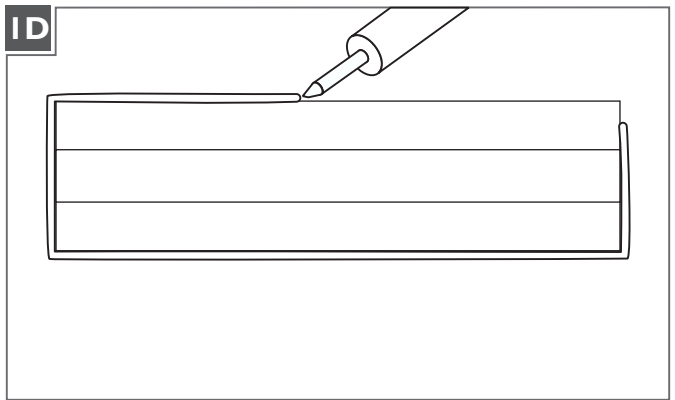
2 Remove the mounting plate from the fixture.



3 Attach the mounting plate to the electrical box using the two #8-32 screws provided.

IC

- 4** Connect the mounting plate ground wire to a suitable ground in accordance with local electrical codes.
- 5** Connect the white (blue) driver wire to the neutral power line wire with a wire nut.
- 6** Connect the black (brown) driver wire to the hot power line wire with a wire nut.
- 7** Properly place the driver, all the wires, and wire nut connections into the fixture, then mount the fixture by sliding it back onto the mounting plate and reinstalling the fixture screws (reversal of figure 1A).

ID

- 8** For wet locations, caulk around the base with waterproof construction sealant.

SAVE THESE INSTRUCTIONS!

LBL

7400 Linder Ave, Skokie, IL 60077

800.323.3226 - 847.626.6300

www.lblighting.com

© 2014 LBL Lighting. All rights reserved. The "LBL Lighting" graphic is a registered trademark of LBL Lighting. LBL Lighting reserves the right to change specifications for product improvements without notification.

A Generation Brands Company