



## Pre-Attached Knob Installation Instructions For Long Plates

### Passage and Privacy

*With step-by-step Installation Pictograms  
and Drilling Template*



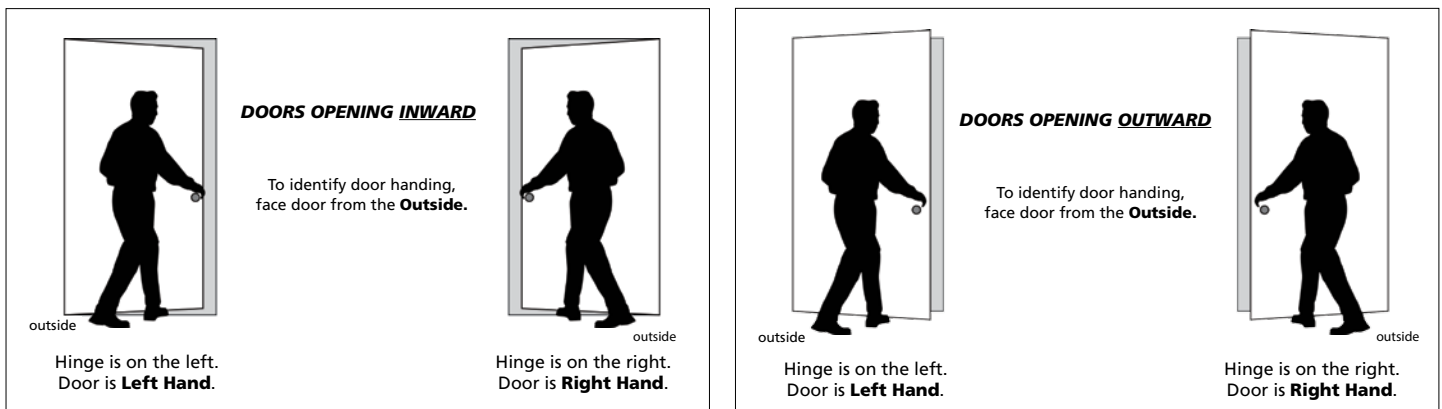
**Tools Required: # 2 Phillips Screwdriver, electric drill, 7/64" drill bit**

### Door Handing - Long Plates

Door handing is critical for Split-Finish, or Split-Design products in the privacy function. And, it's helpful positioning the latch tongue in relation to the strike plate.

**Inside of Door** - The **Inside** of a door refers to the side of the door that faces the room. For example, for a bedroom door on a hallway, the **Inside** of the door would face the bedroom.

**Outside of Door** - The **Outside** of a door refers to the side of the door that faces away from the room. The **Outside** of a door is generally more visible to visitors, and therefore a rosette on this side of the door has no visible screws. For example, on a bedroom door, the **Outside** would face the hallway.



### INSTALLATION RULES:

- 1) Long Plate wood mounting screws should **NOT** be installed using power tools.
- 2) Privacy pin holes are next to the door side containing the latch.
- 3) Latch tongues have a beveled side, and this side should contact the curved end of the face plate, and curved end of the strike plate.  
(See **\*Latch Tongue Note** on page 2.)



For assistance call 1-800-522-7336 Mon-Fri, 7 am to 5 pm Mountain Time

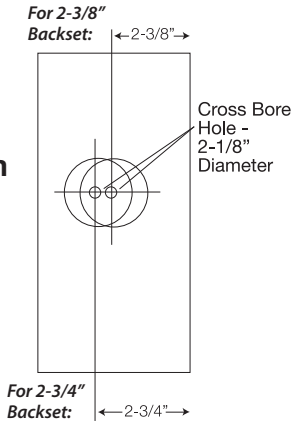
# Long Plate Pre-Attached Door Hardware Installation Instructions

**Fits doors 1-3/8" to 1-3/4" thick**

**Passage/Privacy**

**A**

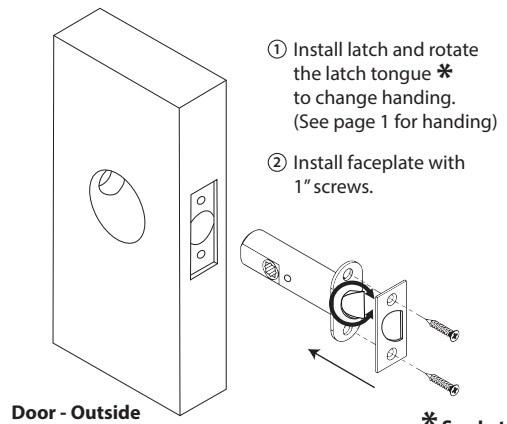
**Backset Information**



**NOTE:**  
DRILLING TEMPLATES ON SEPARATE INCLUDED SHEET

**B**

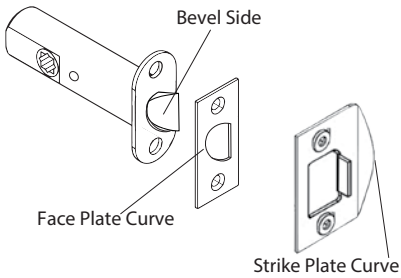
**Install Latch**



\* See Latch Tongue Note in next panel

**\* Latch Tongue Note**

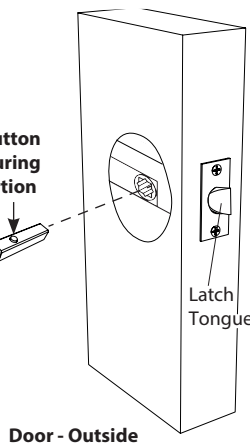
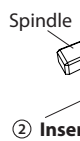
Bevel side of latch tongue should contact curved end of face plate, and curved end of strike plate.



**C**

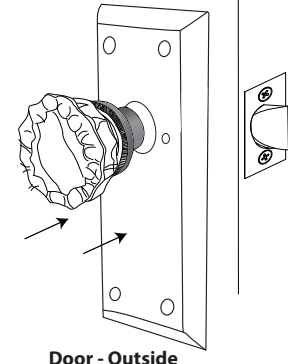
**Insert Spindle**

① Push spindle button down and hold during insertion



**D**

**Install Exterior Half of Lockset**

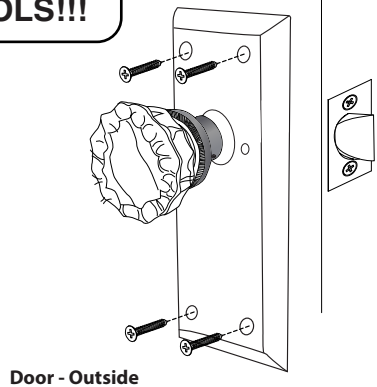


Emergency Release Hole (Privacy Only)

**E**

**Insert Wood Screws**

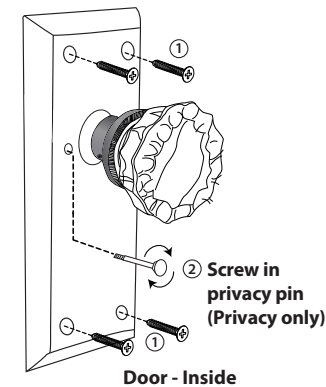
**NO POWER TOOLS!!!**



**F**

**Install Interior Half of Lockset**

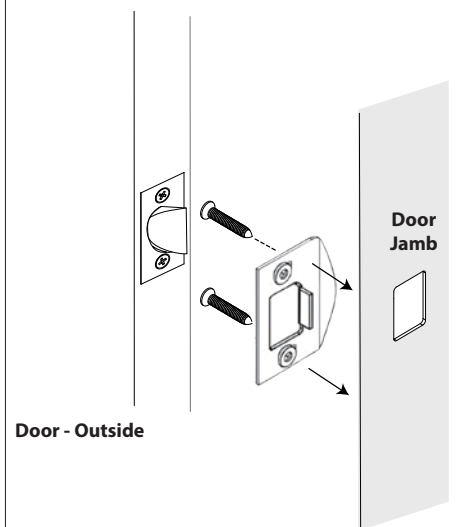
① Insert wood screws



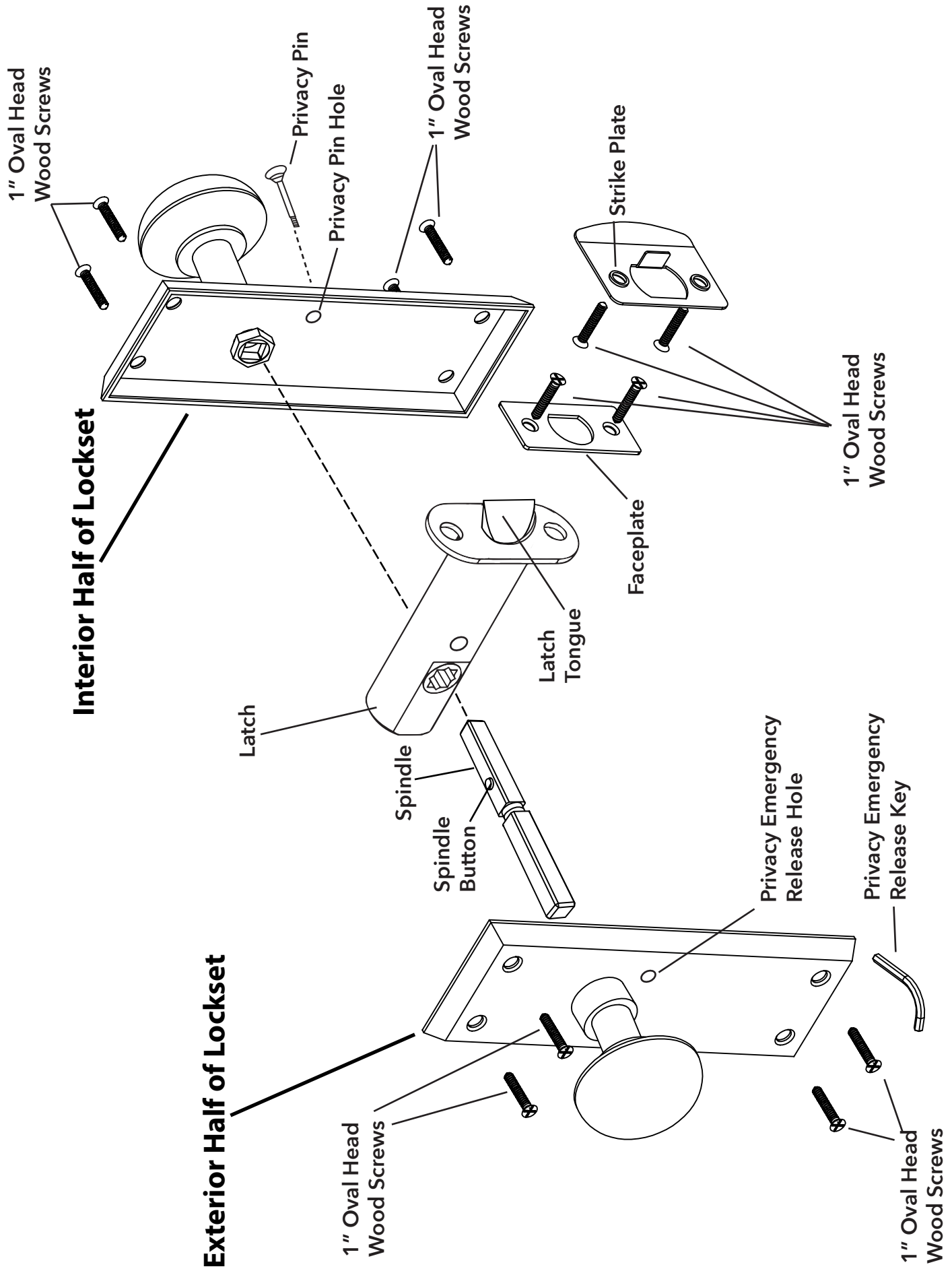
**G**

**Attach Strike Plate**

Attach the strike plate to the door jamb using 1" long wood screws.

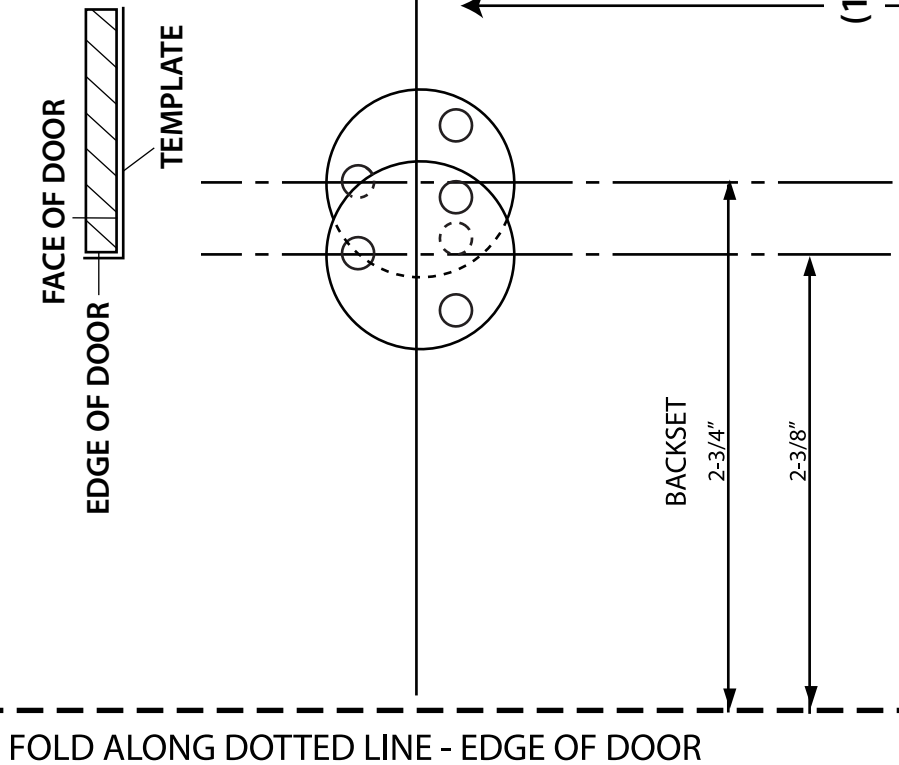


# Exploded Drawing for Long Plate Passage/Privacy

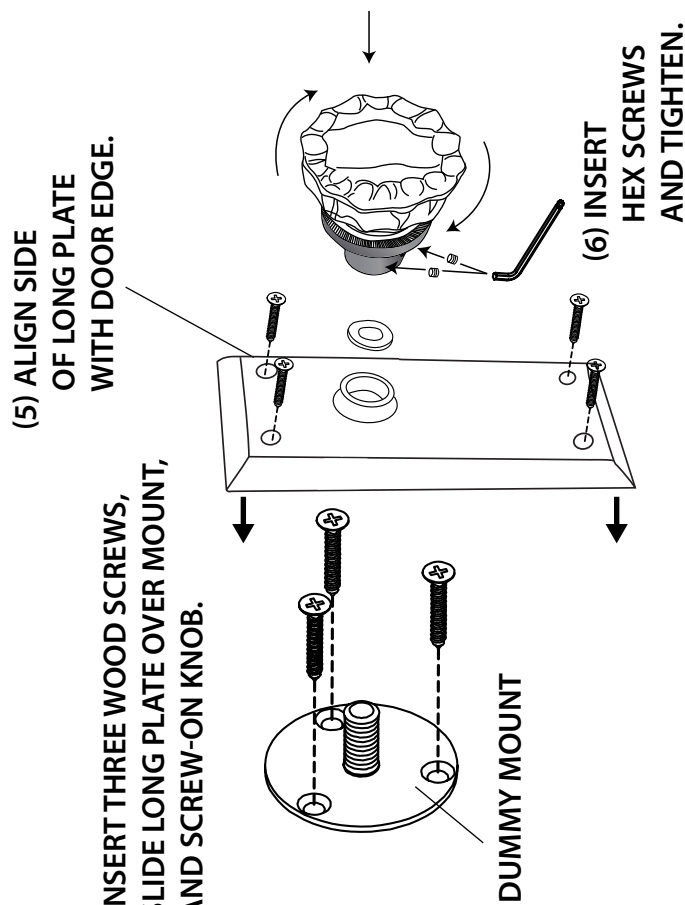


# DUMMY INSTALLATION AND DOOR PREPARATION TEMPLATE

(2) FOLD TEMPLATE ALONG DOTTED LINE, AND POSITION FOLD ON THE EDGE OF THE DOOR. TAPE TEMPLATE TO FACE OF DOOR.



(3) BEFORE DRILLING VERIFY THE BACKSET OF YOUR EXISTING DOORS IN YOUR HOUSE. DRILL PILOT HOLES USING A 7/64" DIAMETER BIT.



(1) MEASURE FROM THE FLOOR TO THE CENTER OF EXISTING LOCKS, AND USE THIS DISTANCE AS THE CENTER OF THE DUMMY MOUNT. IF THERE ARE NO EXISTING LOCKS, POSITION THE DUMMY MOUNT 36" TO 38" FROM THE FLOOR.

FLOOR