

IMPORTANT:
Read Before Using

IMPORTANT :
Lire avant usage

IMPORTANTE:
Leer antes de usar



Operating/Safety Instructions
Consignes de fonctionnement/sécurité
Instrucciones de funcionamiento y seguridad

VAC090S

VAC090A

VAC140S

VAC140A



BOSCH

**Call Toll Free for
Consumer Information
& Service Locations**

**Pour obtenir des informations
et les adresses de nos centres
de service après-vente,
appelez ce numéro gratuit**

**Llame gratis para
obtener información
para el consumidor y
ubicaciones de servicio**

1-877-BOSCH99 (1-877-267-2499) www.boschtools.com





**For English Version
See page 2**

**Version française
Voir page 21**


**Versión en español
Ver la página 40**

Safety Symbols

The definitions below describe the level of severity for each signal word. Please read the manual and pay attention to these symbols.

	This is the safety alert symbol. It is used to alert you to potential personal injury hazards. Obey all safety messages that follow this symbol to avoid possible injury or death.
	DANGER indicates a hazardous situation which, if not avoided, will result in death or serious injury.
	WARNING indicates a hazardous situation which, if not avoided, could result in death or serious injury.
	CAUTION, used with the safety alert symbol, indicates a hazardous situation which, if not avoided, will result in minor or moderate injury.

IMPORTANT SAFETY RULES

 **Read and understand all instructions before using this appliance.** Failure to follow all instructions listed below, may result in electric shock, fire and/or serious personal injury.

SAVE THESE INSTRUCTIONS

Work Area

Keep your work area clean and well lit. Cluttered and dark areas invite accidents.

Do not operate dust extractors in explosive atmospheres, such as in the presence of flammable liquids, gases, or dust. Appliances create sparks, which may ignite the dust or fumes.

Keep bystanders, children, and visitors away while operating the dust extractor. Do not allow to be used as a toy. Close attention is necessary when used by or near children.

Electrical Safety

This dust extractor intended for use indoor / outdoor and for dry or wet pick-up.

The power tool outlet is grounded and the dust extractor must be plugged into an outlet properly installed and grounded in accordance with all codes and ordinances. Never remove the grounding prong or modify the plug in any way. Do not use any adapter plugs. Check with a qualified electrician if you are in doubt as to whether the outlet is properly grounded. If the dust extractor should electrically malfunction or break down, grounding provides a low resistance path to carry electricity away from the user.

Do not insert objects like paper clips or

screwdrivers into power tool outlet. The outlet is live when the dust extractor is plugged into power source and switch is set to 'Power Tool Activation' mode 'ON' mode. Electric shock may occur.

Avoid body contact with grounded surfaces such as pipes, radiators, ranges and refrigerators. There is an increased risk of electric shock if your body is grounded. If operating the dust extractor in damp locations is unavoidable; a Ground Fault Circuit Interrupter must be used to supply the power to your dust extractor. Electrician's rubber gloves and footwear will further enhance your personal safety.

Don't expose dust extractor to rain or wet conditions. This dust extractor can be used for picking up non-flammable liquids but it is not intended to be immersed or submerged in a fluid. Electric shock may occur.

Do not handle plug or appliance with wet hands. Electric shock may occur.

Do not abuse the cord. Never use the cord to carry the dust extractor, pull the dust extractor or yank the plug from an outlet. Keep cord away from heat, oil, sharp edges or moving parts. Replace damaged cords immediately. Don't drive over it or close a door on it. Damaged cords increase the risk of electric shock.

When operating a dust extractor outside, use an outdoor extension cord marked “W-A” or “W”. These cords are rated for outdoor use and reduce the risk of electric shock. Refer to Recommended sizes of Extension Cords in the “Extension Cords” section of this manual.

Personal Safety and Dust Extractor Use

Stay alert, watch what you are doing and use common sense when operating a dust extractor. Do not use dust extractor while tired or under the influence of drugs, alcohol, or medication. A moment of inattention while operating dust extractor may result in serious personal injury.

Avoid accidental starting. Be sure the dust extractor and tool switches are OFF before plugging in. Tool must be turned off before placing the dust extractor switch in “Power Tool Activation” or “ON” mode. Do not keep power tool plugged into power tool outlet on the dust extractor during normal vacuuming (mode switch at the “ON” position). Plugging in dust extractors or tools that have switch ON invites accidents.

Do not overreach. Keep proper footing and balance both for you and the dust extractor at all times. Use extra care when cleaning on stairs. Proper footing and balance enables better control of the dust extractor in unexpected situations.

Do not vacuum burning, smoking or smoldering things like cigarettes, matches or hot ashes. Fire inside the dust extractor canister may occur.

Do not use to vacuum flammable liquids, alcohol, gases, or explosive dusts, like gasoline or other fuels, lighter fluid, varnish, polyurethane coatings, cleaners, oil-based paints, natural gas, hydrogen, coal dust, magnesium dust, grain dust, or

gun powder. Electric motors create sparks which may ignite the dust or fumes.

Dress properly. Do not wear loose clothing or jewelry. Contain long hair. Keep your hair, clothing, and gloves away from moving parts. Loose clothes, jewelry, or long hair can be caught in moving parts, hose, and suction nozzles. Keep handles dry, clean and free from oil and grease.

Do not hold the hose against any body parts during operation. Static electricity build-up in the hose during operation may result in static shock.

⚠ WARNING Use safety equipment. Always wear eye and hearing protection. Dust mask, non-skid safety shoes, hard hat, or hearing protection must be used for appropriate conditions.

This product contains chemicals, including lead, known to the State of California to cause cancer, and birth defects or other reproductive harm. **Wash hands after handling.**

Do not use with damaged cord or plug. If appliance is not working as it should, has been dropped, damaged, left outdoors, or dropped into water, return it to a service center.

Do not put any object into openings. Do not use with any opening blocked; keep free of dust, lint, hair, and anything that may reduce air flow.

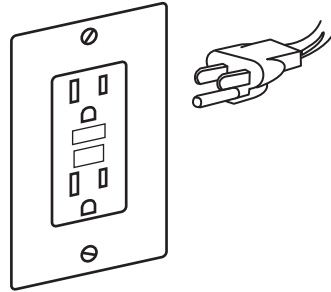
Turn off all controls before unplugging. Use only attachments that are recommended by the manufacturer for your model. Attachments that may be suitable for one dust extractor may become hazardous when used on another dust extractor.

Connect to a properly grounded outlet only. See Grounding Instructions.

Grounding Instructions

This appliance must be grounded. If it should malfunction or breakdown, grounding provides a path of least resistance for electric current to reduce the risk of electric shock. This appliance is equipped with a cord having an equipment-grounding conductor and grounding plug. The plug must be inserted into an appropriate outlet that is properly installed and grounded in accordance with all local codes and ordinances.

⚠ WARNING Improper connection of the equipment-grounding conductor can result in a risk of electric shock. Check with a qualified electrician or service person if you are in doubt as to whether the outlet is properly grounded. Do not modify the plug provided with the appliance – if it will not fit the outlet, have a proper outlet installed by a qualified electrician.



This appliance is for use on a nominal 120-V circuit and has a grounding attachment plug that looks like the plug illustrated. Make sure that the appliance is connected to an outlet having the same configuration as the plug. No adaptor should be used with this appliance.

Dust extractor Safety Rules

Dust Extractor Care

⚠ WARNING Bosch HEPA filters must be used when using this dust extractor for EPA Lead Based Paint Renovation, Repair and Painting Program (RRP), where lead may be present. Not using Bosch HEPA filters for EPA RRP program may cause health and environmental hazards.

⚠ WARNING Not suitable to vacuum hazardous or toxic substances or dusts e.g. asbestos. Neither the standard filter nor the optional HEPA filter is able to capture all hazardous particles, which may cause health hazards.

⚠ WARNING Once this dust extractor is used for EPA Lead Based Paint Renovation, Repair and Painting Program (RRP) where lead may be present, it is recommended that it always be used for RRP. Residual hazardous substances in the dust extractor may cause health and environmental hazards.

⚠ WARNING When using this dust extractor for EPA Lead Based Paint Renovation, Repair and Painting Program (RRP), this dust extractor is not recommended for vacuuming carpets and rugs. Dust extractor may not be able to completely remove all hazardous substance, which may cause health and environmental hazards.

Do not use dust extractor if switch does not turn it ON or OFF. Any dust extractor that cannot be controlled with the switch is dangerous and must be repaired.

Disconnect the plug from the power source before making any adjustments, changing attachments, or storing the dust extractor. Such preventive safety measures reduce the risk of starting the dust extractor accidentally.

The sum of current draw of the dust extractor and connected power tool must not exceed 15A. Exceeding the 15A current draw could cause the dust extractor and branch circuitry to overheat, presenting a risk of fire.

Do not vacuum dust when liquid/fluid is contained in the dust extractor canister. Do not vacuum liquids/fluids when dust is in the canister. In either case empty the

canister and/or remove dust bag before use so that dust does not cake and harden inside the canister.

Dry filters completely after wet vacuuming or use a second dry filter set for dust vacuuming. Damp or wet filters will cake with dust or develop mold or mildew.

Store idle dust extractor out of reach of children and other untrained persons. Dust extractors are dangerous in the hands of untrained users.

Maintain dust extractor with care. Properly maintain dust extractor to keep hose unobstructed. Do not put any object into openings. Do not use with any opening blocked; keep free of dust, lint, hair and anything that may reduce air flow. Any alteration or modification is a misuse and may result in a dangerous condition.

Check for misalignment or binding of moving parts, breakage of parts, and any other condition that may affect the dust extractor operation. If damaged, have the dust extractor serviced before using. Poorly maintained dust extractors cause many accidents. Develop a periodic maintenance schedule for your dust extractor.





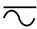


Service

Only qualified repair personnel must perform dust extractor service. Service or maintenance performed by unqualified personnel could result in a risk of injury. For example: internal wires may be misplaced or pinched.

When servicing a dust extractor, use only identical replacement parts. Follow instructions in the Maintenance section of this manual. Use of unauthorized parts or failure to follow the Maintenance Instructions may create a risk of electric shock or injury. Certain cleaning agents such as gasoline, carbon tetrachloride, ammonia, etc. may damage plastic parts.










Symbols

IMPORTANT: Some of the following symbols may be used on your tool. Please study them and learn their meaning. Proper interpretation of these symbols will allow you to operate the tool better and safer.

Symbol	Designation / Explanation
V	Volts (voltage)
A	Amperes (current)
Hz	Hertz (frequency, cycles per second)
W	Watt (power)
kg	Kilograms (weight)
min	Minutes (time)
s	Seconds (time)
CFM	Cubic feet per minute [or ft ³ /min] (air flow rate)
∅	Diameter (size of drill bits, grinding wheels, etc.)
n ₀	No load speed (rotational speed at no load)
n	Rated speed (maximum attainable speed)
.../min	Revolutions or reciprocation per minute (revolutions, strokes, surface speed, orbits etc. per minute)
0	Off position (zero speed, zero torque...)
1, 2, 3, ... I, II, III,	Selector settings (speed, torque or position settings. Higher number means greater speed)
0 	Infinitely variable selector with off (speed is increasing from 0 setting)
	Arrow (action in the direction of arrow)
	Alternating current (type or a characteristic of current)
	Direct current (type or a characteristic of current)
	Alternating or direct current (type or a characteristic of current)
	Class II construction (designates double insulated construction tools)
	Earthing terminal (grounding terminal)

Symbols (continued)

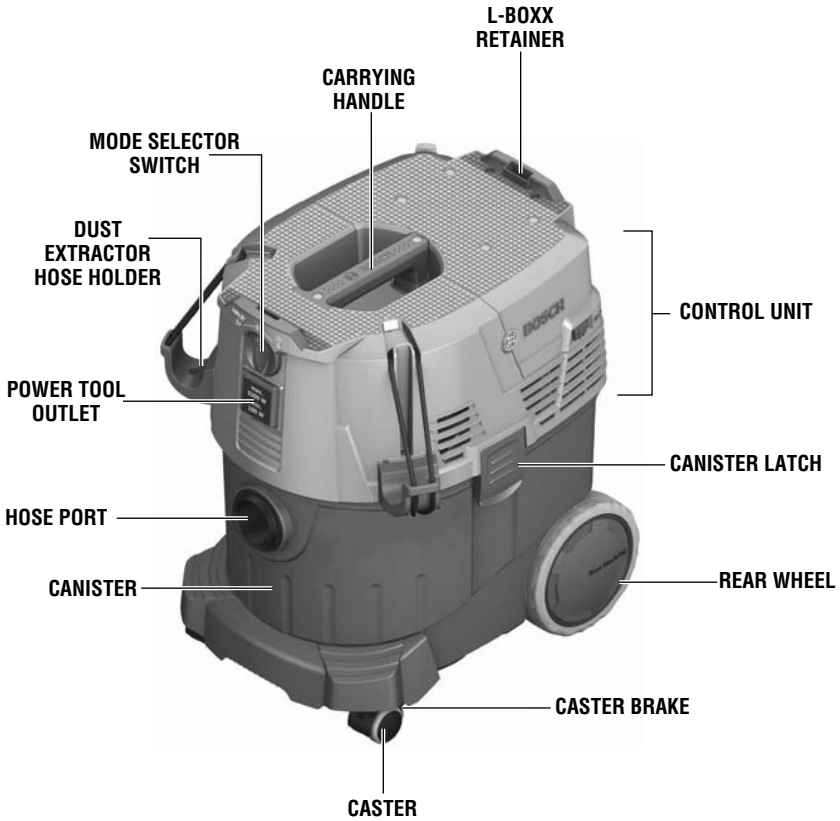
IMPORTANT: Some of the following symbols may be used on your tool. Please study them and learn their meaning. Proper interpretation of these symbols will allow you to operate the tool better and safer.

Symbol	Designation / Explanation
	Designates Li-ion battery recycling program
	Designates Ni-Cad battery recycling program
	Alerts user to read manual
	Alerts user to wear eye protection
	This symbol designates that this tool is listed by Underwriters Laboratories.
	This symbol designates that this component is recognized by Underwriters Laboratories.
	This symbol designates that this tool is listed by Underwriters Laboratories, to United States and Canadian Standards.
	This symbol designates that this tool is listed by the Canadian Standards Association.
	This symbol designates that this tool is listed by the Canadian Standards Association, to United States and Canadian Standards.
	This symbol designates that this tool is listed by the Intertek Testing Services, to United States and Canadian Standards.
	This symbol designates that this tool complies to NOM Mexican Standards.

Functional Description and Specifications

Semi-Automatic Filter Cleaning Dust Extractor (VAC090S & VAC140S)

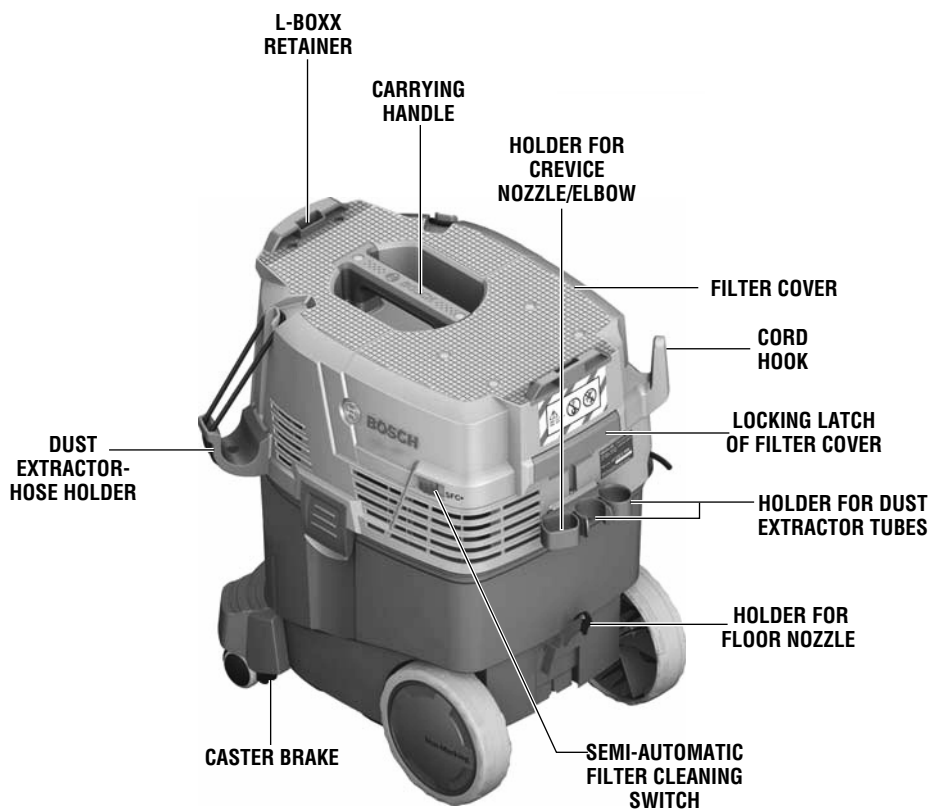
FIG. 1



* 9 gallon canister shown. See page 10 for 14 gallon canister

Functional Description and Specifications

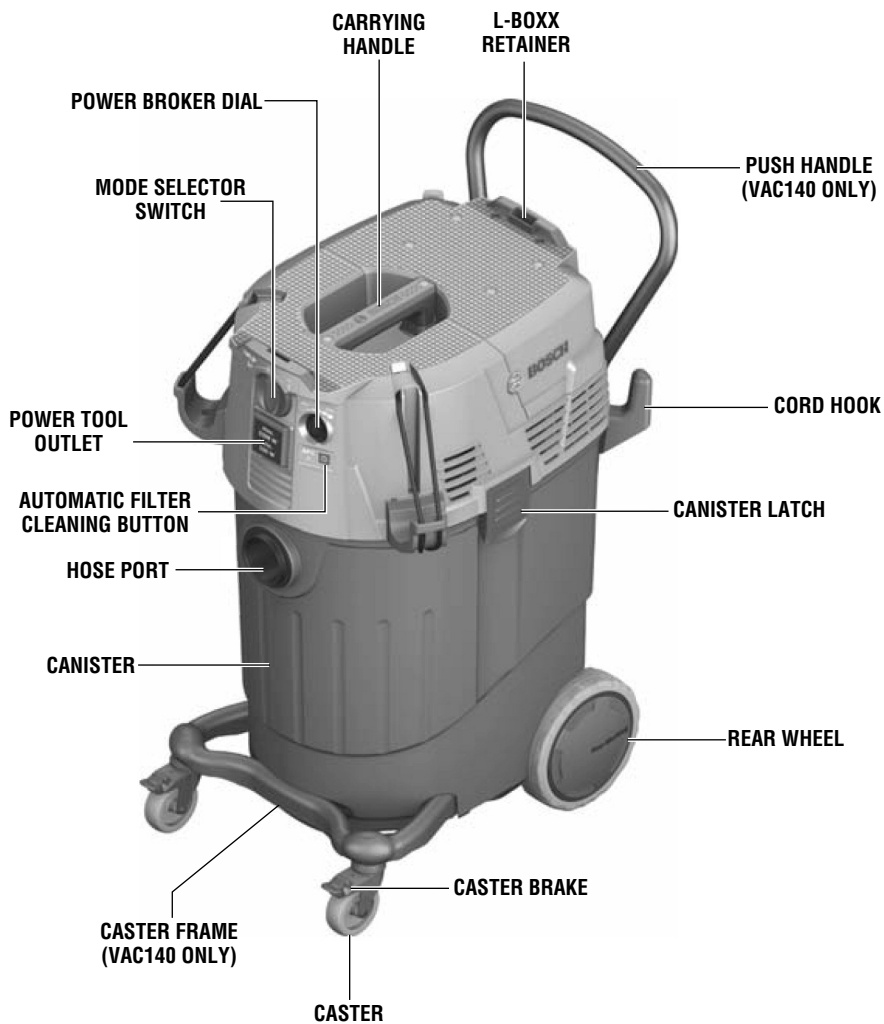
FIG. 2



Functional Description and Specifications

Automatic Filter Cleaning Dust Extractor (VAC090A & VAC140A)

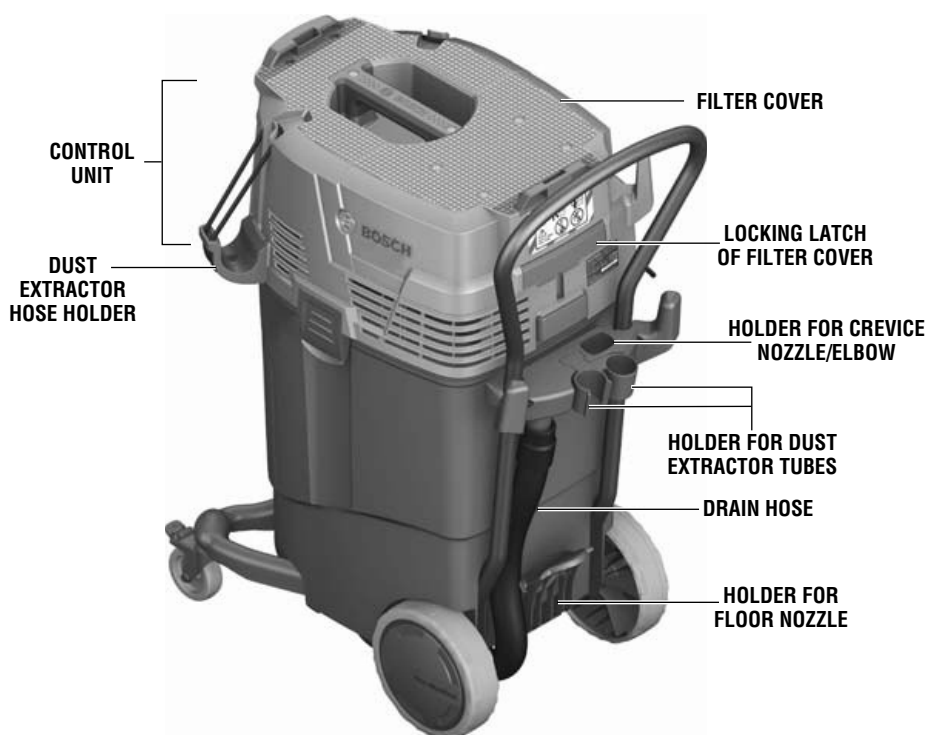
FIG. 3



* 14 gallon canister shown. See page 8 for 9 gallon canister

Functional Description and Specifications

FIG. 4



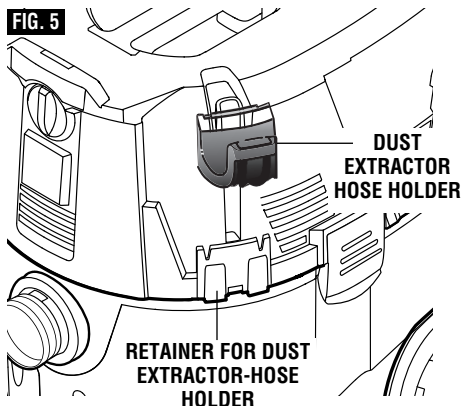
Specifications:

Model Number	VAC090A	VAC090S	VAC140A	VAC140S
Voltage	120V	120V	120V	120V
Frequency	60Hz	60Hz	60Hz	60Hz
Rated Power	9.5 Amps	9.5 Amps	9.5 Amps	9.5 Amps
Max power tool draw	7.5 Amps	5.5 Amps	7.5 Amps	5.5 Amps
Filter Cleaning	Automatic	Semi-Automatic	Automatic	Semi-Automatic
Canister Volume (gross)	9 Gal	9 Gal	14.5 Gal	14.5 Gal
Air Flow (CFM)	150CFM max*	150CFM	150CFM max*	150CFM
Static Water Lift	97in*	97in	97in*	97in
Suction Pressure	242mbar*	242mbar	242mbar*	242mbar
Sound pressure level	70 dB*	70 dB	70 dB*	70 dB
Weight	28 lb	28 lb	38 lb	37 lb
Cord Length	16.4' (5m)	16.4' (5m)	16.4' (5m)	16.4' (5m)
Hose Length	9.84' (3m)	9.84' (3m)	9.84' (3m)	9.84' (3m)

* when Power Broker™ dial at Maximum setting.

Assembly and Preparation

⚠ WARNING Disconnect the plug from the power source before making any assembly, adjustments or changing attachments. Such preventive safety measures reduce the risk of starting the tool accidentally.



When unpacking, make sure that all of the standard equipment is present and that there is no transportation damage.

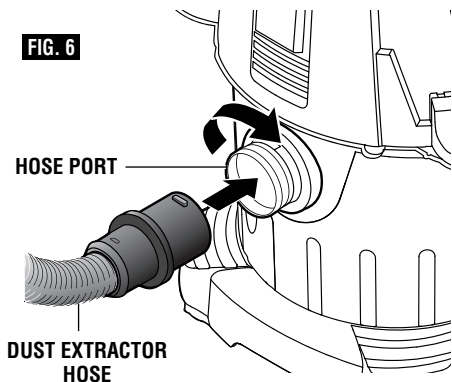
Before performing any work on the machine itself, disconnect the power plug.

ATTACHING DUST EXTRACTOR HOSE HOLDERS

Slide each hose holder firmly into place. Hose holders will snap into the dust extractor when fully engaged (Fig. 5).

ATTACHING THE DUST EXTRACTOR HOSE

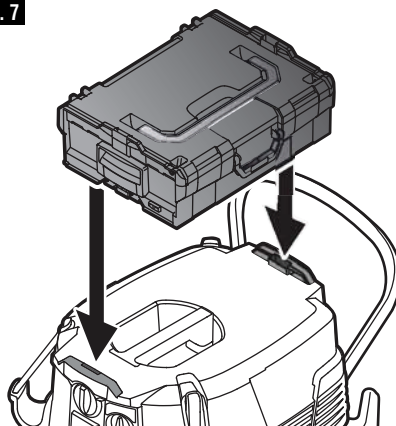
Insert hose into port and twist to lock (Fig. 6). The canister's 2-1/4" hose port also accepts many friction-fit dust extractor hoses, including most 1-1/4" hoses, 1-1/2" hoses, 2-1/2" hoses and other Bosch hoses. (See 'Attachments', page 15 and 16).



ATTACHING L-BOXX

⚠ WARNING Only attach one (1) L-BOXX weighing less than 30 lbs to the top of a VAC model dust extractor. More than one (1) L-BOXX or more than 30 lbs in weight may cause the dust extractor to become unstable when being transported.

FIG. 7



⚠ WARNING Do not carry or hoist the dust extractor by the L-BOXX handle. The L-BOXX handle may break and cause property damage or personal injury. To attach the L-BOXX to the dust extractor, align the L-BOXX with the retainers and click the L-BOXX onto the dust extractor. To remove, simultaneously depress the red release levers and lift L-BOXX off the dust extractor (Fig. 7).

DUST COLLECTION OPTIONS

There are five dust collection options: plastic bag, fleece filter bag, paper bag, wet/dry slurry bag or no bag.

- A filter must be installed whether or not any of the bags are used.

Dry Vacuuming Notes:

- When dry-vacuuming such materials as fine dust from drywall, plaster, cement, soot, and flour, a dust bag should be inserted. In general, fleece filter bags are the best bags for dry-vacuuming because they are durable, they trap dust before it gets to the filter and

allow the least amount of dust to escape at the time of bag disposal.

- Using a paper, fleece or wet/dry slurry dust bag extends the amount of time the unit operates at high performance and extends the amount of time it takes for the filter to become clogged.
- The plastic bags and fleece filter bags can handle a heavier load without tearing than the paper or wet/dry slurry bags.
- Using any of the four types of Bosch dust bags also makes waste disposal much easier, eliminating the cloud of dust that is created when canister contents are simply poured out, helping to protect you and the environment from exposure to the unwanted particles and debris.

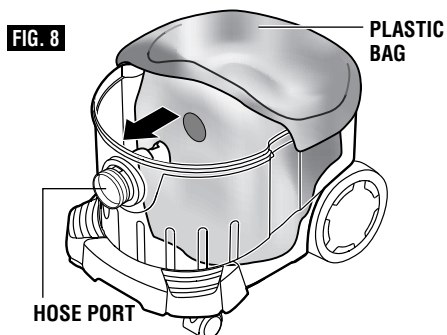
Wet Vacuuming Notes:

- The wet/dry slurry bags can be used when vacuuming wet materials. They are ideally suited for slurry-suction applications.
- The fleece filter bags and paper bags should not be used when wet vacuuming because the water will cause the bag to come apart.
- The plastic bags should not be used when wet vacuuming because the bag may tear when removed if it is fully loaded with liquid.
- See WET VACUUMING section for more information.

CAUTION Semi automatic filter cleaning and automatic filter cleaning must be turned off when using paper bags. The reversal of air during filter cleaning may damage the paper bag.

INSTALLING A DUST BAG

1. Unlock the canister latches and remove the control unit.
2. Make sure to install a bag that is suitable for the application and has the proper size for canister.
3. Grasp a new dust bag at the flange. Push it over the internal dust port first and then over



the raised ring. Make sure the entire flange is seated in the recessed area of the internal dust port. Make sure that the dust bag is not folded over on itself and the full length of the bag faces the front and bottom of the canister.

4. For plastic bags only – After the plastic bag has been attached to the internal dust port, wrap the upper edges of the plastic bag over the entire perimeter of the rim at the top of the canister. Make sure that the plastic bag does not interfere with the canister latches.
5. Re-attach the control unit.
6. Lock the canister latches.

REMOVING THE DUST BAG

CAUTION Regardless of the bag used, special caution is needed when removing bags filled with debris in order to reduce exposure to airborne dust (especially silica dust from concrete applications).

- Unlock the canister latches and remove the control unit.

If a plastic bag is used:

1. Align the top of the plastic bag. Peel the cover off the adhesive strip and fold over onto the plastic bag to seal the top closed. Save the cover for use in step 4.
2. Remove the plastic bag from the internal dust port by pulling the bag towards the rear of the canister.
3. Remove the bag from the canister and twist the top of the bag.
4. Tie off the plastic bag below the port opening using the cover that was just removed from the bag's adhesive strip in step 1 and dispose of properly.
5. Wipe dust extractor with a damp cloth to clean the dust residue.

If a paper, fleece, or wet/dry slurry bag is used:

1. Remove the bag from the internal dust port by pulling the flange towards the rear of the canister.
2. Pull the tab on the flange up until the opening has been closed off by the paper cover.
3. Remove the bag from the canister and dispose of properly.
4. Wipe dust extractor with a damp cloth to clean the dust residue.

Note: Use extra caution when removing paper bags. If overfilled, they can tear during removal from the dust extractor.

Operating Instructions

⚠ WARNING Disconnect the plug from the power source before making any assembly, adjustments or changing attachments. Such preventive safety measures reduce the risk of starting the tool accidentally.

⚠ WARNING When using this dust extractor for EPA Lead Based Paint Renovation, Repair and Painting Program (RRP), this dust extractor is not recommended for vacuuming carpets and rugs. Dust extractor may not be able to completely remove all hazardous substance, which may cause health and environmental hazards.

⚠ WARNING Not suitable to vacuum hazardous or toxic substances or dusts e.g. asbestos. Neither the standard filter nor the optional HEPA filter is able to capture all hazardous particles, which may cause health hazards.

NOTE: Read the OSHA regulation on silica dust and the related OSHA Silica Table 1 to understand the requirements needed to reduce exposure to silica dust at the jobsite. Specific rules apply to the drilling, demolition cutting and grinding materials that contain silica. According to OSHA Silica Table 1, when dry cutting or dry surface grinding concrete type materials using hand held grinders, the dust extractor (dust collector) being used must provide 25 CFM or greater of air flow per inch of wheel diameter.

All OSHA requirements can be found at OSHA website:

www.osha.gov

Always check OSHA website for the latest regulations.

When using the dust extractor in concrete applications with related tools and dust extraction attachments (such as rotary / demolition hammers or grinders), always follow the instructions provided with the tools / attachments to ensure proper dust collection throughout the application.

SWITCHING DUST EXTRACTOR ON/OFF

Automatic filter cleaning (AFC) is active whenever the VAC090A and VAC140A dust extractor is switched on in either the "Power tool activation" mode or normal vacuuming mode.

NORMAL VACUUMING MODE

Switching the Unit On: Unplug any connected power tool from the power tool

outlet on the dust extractor. Set mode selector switch to on "ON".

Switching the Unit Off: Set mode selector switch to off "OFF".

"POWER TOOL ACTIVATION" MODE

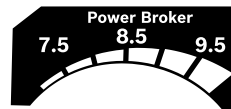
In the "Power Tool Activation" mode, when the power tool is switched on, the power tool automatically switches on the dust extractor.

Switching the Dust Extractor ON

1. Make sure the power tool is switched off, and then plug it in to the power tool outlet on the dust extractor.
2. Turn the mode selector switch to "Power Tool Activation" position (Fig. 9).



FIG. 9



3. When the power tool is switched on, the dust extractor automatically switches on.

Switching the Dust Extractor OFF

To turn off the dust extractor, switch off the connected power tool or turn the mode selector switch to "OFF" position.

NOTE: After the tool is switched off, in order to empty the hose, the dust extractor switches off 10-15 second later.

CONNECTING POWER TOOL TO DUST EXTRACTOR

⚠ WARNING Avoid accidental starting. Be sure the dust extractor and tool switches are OFF before plugging in. Tool must be turned off before placing the dust extractor switch in "Power Tool Activation" or "ON" mode. Do not keep power tool plugged into power tool outlet on the dust extractor during normal vacuuming (mode switch at the "ON" position). Plugging in dust extractors or tools that have switch ON invites accidents.

⚠ WARNING The sum of current draw of the dust extractor and connected power tool must not exceed 15A. Exceeding the 15A current draw could cause the dust extractor and branch circuitry to overheat, presenting a risk of fire.

Models VAC090A and VAC140A only:

**POWER BROKER™
POWER ALLOCATION FEATURE**

The Power Broker™ feature allows optimal allocation of the power available between the dust extractor and power tool.

Before connecting power tool to power tool outlet, set POWER BROKER™ dial as follows:

1. Get tool amp rating from tool dataplate.
2. Subtract tool amp rating from 15A.
3. Set dial to the difference. Tool amp and dial setting must not exceed 15A.

Models VAC090S and VAC140S only:

Before connecting tool to the power tool outlet, make sure the tool rating does not exceed 5.5A.

Notes:

- The building's circuit breaker can trip if the combination of power tool amp rating and the dial setting exceed the building circuit's amp rating.
- If full dust extractor power is needed with a power tool that draws high amps, it may be necessary to plug the power tool into a separate circuit.

**CONNECTING DUST EXTRACTOR TO
POWER TOOLS AND ATTACHMENTS**

This dust extractor can also be connected to various power tools or their attachments to easily extract and collect dust. Applications include drilling and demolition of concrete using rotary and demolition hammers, as well as sanding various materials using grinders and sanders. Other power tools that can be connected to the dust extractor include routers, planers and saws. To determine if any attachment and/or adapter is required to connect a given power tool and dust extractor hose, consult the Bosch catalog or website (www.boschtools.com). Depending on the hose port on the power tool or attachment, the included VX120 power tool hose adapter can be either slid into the hose port or snapped into place. Bosch also offers a variety of other dust extractor hose adapters (not included) to allow the hose to be connected to hose ports of various sizes. See page 19.

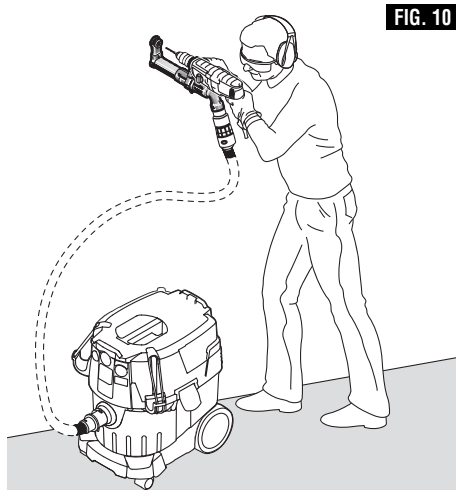


FIG. 10

REMOVING AND REPLACING FILTER

1. Pull the locking latch for the filter cover and open cover. When cover is fully open, it will click into place (Fig. 11).
2. Grasp the filter by the edge, pull up and remove (Fig. 11).
3. Before inserting new filter, use a moist cloth and remove any dust and debris from the filter compartment.

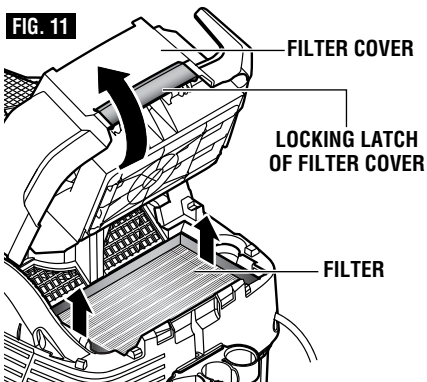
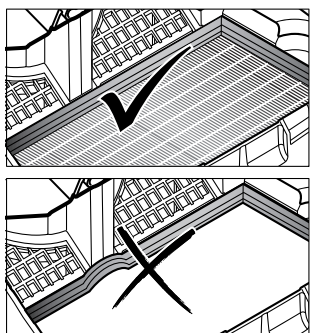
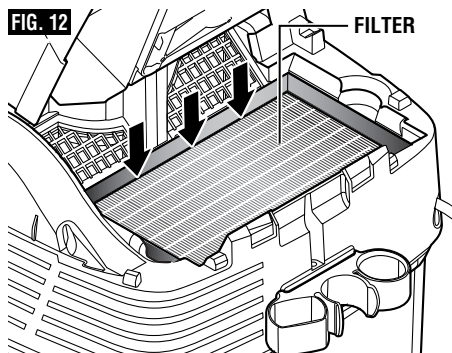


FIG. 11

4. Insert new filter and make sure the filter is seated firmly in place (Fig. 12).
5. Shut the filter cover, ensuring cover locks into place

FILTER CLEANING SYSTEM

The Bosch VAC-Series dust extractors have 2 types of filter cleaning systems: automatic filter cleaning and semi-automatic filter cleaning. These are very aggressive systems which maximize filter cleaning to maintain a high air flow (CFM) rate even in heavy duty applications.



CAUTION Check filter periodically and replace if worn out or damaged. Using damaged filter can lead to release of unwanted airborne contaminants from the canister.

CAUTION Semi automatic filter cleaning and automatic filter cleaning must be turned off when using paper bags. The reversal of air during filter cleaning may damage the paper bag.

Notes:

- Always use fleece filter bags when using HEPA filters with dust extractor.
- Fleece filter bags in conjunction with the automatic or semi-automatic filter cleaning will help extend filter life and maintain dust extractor suction efficiency.
- With regular usage of the filter cleaning system, the maximum vacuuming performance is maintained longer.
- The filter cleaning system must be activated when the suction power decreases to the point of being insufficient.
- The sound of the filter cleaning system may surprise those near the work area. Before using filter cleaning, alert those in the vicinity of the dust extractor of this

feature and the associated sound it makes.

- The proper frequency for activating the filter cleaning system depends on the type and amount of dust. With regular usage, the maximum vacuuming performance is maintained longer.

Automatic filter cleaning (AFC) (Available on models VAC090A, VAC140A)

Automatic filter cleaning is active whenever the dust extractor is switched on in either the "Power tool activation" mode or normal vacuuming mode.

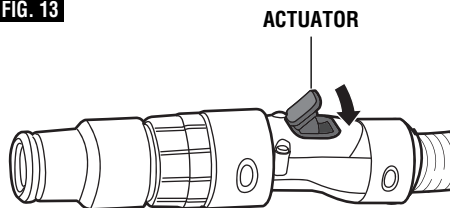
To deactivate the AFC feature, press the red membrane button the front of the dust extractor. The LED will turn off to signal this feature is deactivated. To reactivate, press the red membrane button a second time and the green LED light will turn on signaling the AFC feature is activated (Fig. 3).

Air reversals will clean the filters every 15 seconds, maintaining the highest level of suction power. Dust extractor suction will be maintained as the filters are being cleaned.

Semi-automatic filter cleaning (SFC) (Available on models VAC090S, VAC140S)

Air reversals will clean the filters when either the actuator on the hose is depressed, or the airflow is blocked by covering the end of the hose. No suction will be available as the filters are being cleaned (Fig. 13).

FIG. 13



To deactivate the SFC function, slide the red switch on the side of the dust extractor towards the front of the dust extractor. To reactivate, slide the red switch towards the rear of the dust extractor (Fig. 2).

DRY VACUUMING

CAUTION To reduce exposure to silica dust, follow the below guidelines:

- Always use HEPA filter and fleece filter bag.
- For models equipped with Automatic Filter Cleaning (AFC), leave the AFC system "ON". Do not turn off the AFC system.
- For models equipped with Semi-automatic

filter cleaning (SFC) system, periodically activate the SFC system to maintain maximum vacuuming efficiency.

- Check filter periodically and replace if worn out or damaged. Never use compressed air, shake filter or hit filter against object to clean filter.
- Wipe dust off dust extractor control unit with moist cloth. Use water to clean the canister and attachments. Do not use dust extractor until completely dry.

WET VACUUMING

⚠ WARNING Do not use to vacuum flammable liquids, gases, or explosive dusts, like gasoline or other fuels, lighter fluid, varnish, polyurethane coatings, cleaners, oil-based paints, natural gas, hydrogen, coal dust, magnesium dust, grain dust, or gun powder. Electric motors create sparks, which may ignite the dust or fumes.

⚠ CAUTION A filter must be used when wet vacuuming. Do not use HEPA filter for wet vacuuming. A polyester (PES) filter (sold separately) is recommended for wet vacuuming. A paper filter can be used occasionally for wet vacuuming, but it must be allowed to dry thoroughly after such usage to help minimize deterioration.

⚠ CAUTION Do not use paper, plastic or fleece filter bag when wet vacuuming. If a bag is to be used when vacuuming wet materials, a wet/dry slurry bag must be used.

Notes:

- Do not activate the filter cleaning mode when the canister contents are wet.
- The unit is equipped with water level sensors. The unit switches off when the maximum filling height is reached. The unit still has power, but will not operate. The unit must be switched off and emptied before it can be switched on again.
- When the unit is shut off, some water may flow out of the hose.
- To prevent siphoning or spillage, lift the suction hose out of the liquid before draining the dust extractor.
- Before opening and emptying, move the switch to the OFF position.
- Before opening and emptying, always disconnect the dust extractor cord from the power supply.
- In order to avoid mildew, after wet vacuuming, remove the bag (if one is installed) and remove the filter and allow it to dry thoroughly. Dry the filter and control unit thoroughly so that dust cannot adhere to moist parts.
- Use a dry filter for subsequent dry vacuuming. We suggest purchasing an extra filter when frequently alternating between wet and dry vacuuming and swap them out as appropriate.
- Wipe dust off dust extractor control unit with moist cloth. Use water to clean the canister and attachments. Do not use dust extractor until completely dry.

EMPTYING THE CANISTER

1. Switch the unit off.
2. Disconnect from the power supply.
3. Remove the filter bag (see "REMOVING THE DUST BAG" on page 13, or dump out the canister as appropriate.

EMPTYING THE CANISTER OF LIQUIDS (Models VAC140A and VAC140S only)

1. Switch the unit off.
2. Disconnect from the power supply.
3. Position dust extractor in area where the contents of the canister can be drained.
4. Detach drain hose from stored position on dust extractor and lay hose on the ground (Fig. 14).
5. Once canister is emptied, secure drain hose and allow canister to air dry.



Maintenance

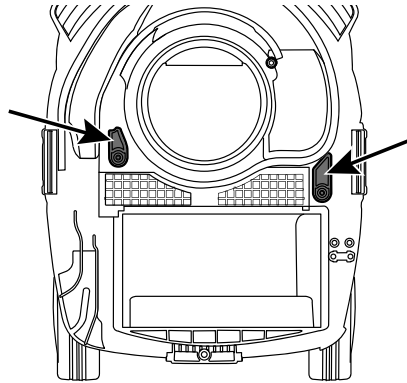
WATER-LEVEL SENSOR MAINTENANCE

Clean the water level sensors occasionally:

1. Unlock the canister latches and remove the control unit.
2. Clean the water level sensors with a soft cloth.
3. Reattach the control unit again
4. Lock the canister latches.

FIG. 15

WATER-LEVEL SENSORS



Service

⚠ WARNING Preventive maintenance must be performed by a **Bosch Factory Service Center or Authorized Bosch Service Station**. Service performed by unauthorized personnel may result in misplacing of internal wires and components which could cause serious injury.

TOOL LUBRICATION

Your Bosch tool has been properly lubricated and is ready to use.

Cleaning

⚠ WARNING To avoid accidents always disconnect the tool from the power supply before cleaning or performing any maintenance.

Ventilation openings and switch levers must be kept clean and free of foreign matter. Do not attempt to clean by inserting pointed objects through openings.

Wipe dust off dust extractor control unit with moist cloth. Use water to clean the canister and attachments. Do not use dust extractor until completely dry.

⚠ CAUTION Certain cleaning agents and solvents damage plastic parts. Some of these are: gasoline, carbon tetrachloride, chlorinated cleaning solvents, ammonia and household detergents that contain ammonia.

Extension Cords

⚠ WARNING If an extension cord is necessary, a cord with adequate size conductors that is capable of carrying the current necessary for your tool must be used. This will prevent excessive voltage drop, loss of power or overheating. Grounded tools must use 3-wire extension cords that have 3-prong plugs and receptacles.

NOTE: The smaller the gauge number, the higher the cord capacity

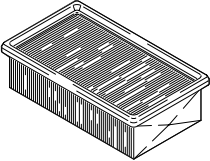
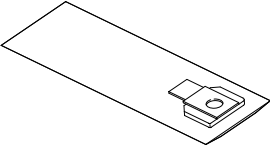
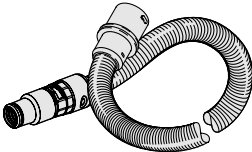
The length of the dust extractor cord must be included in calculating the total length of cord.

RECOMMENDED SIZES OF EXTENSION CORDS 120 VOLT ALTERNATING CURRENT TOOLS

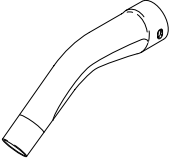
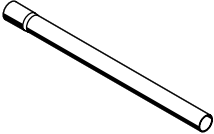
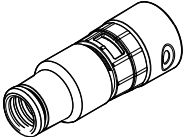
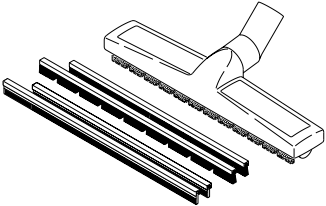

Tool's Ampere Rating	Cord Size in A.W.G.				Wire Sizes in mm ²			
	Cord Length in Feet				Cord Length in Meters			
	25	50	100	150	15	30	60	120
3-6	18	16	16	14	0.75	0.75	1.5	2.5
6-8	18	16	14	12	0.75	1.0	2.5	4.0
8-10	18	16	14	12	0.75	1.0	2.5	4.0
10-12	16	16	14	12	1.0	2.5	4.0	–
12-16	14	12	–	–	–	–	–	–

Attachments

⚠ WARNING Use of any other attachments not specified in this manual may create a hazard.





	Bosch Model No.	Product description
Dust Extractor Filters		
	VF100	Paper (Cellulose) Filter
	VF110	Polyester/PES Filter
	VF120H	HEPA Filter
	VF130H	HEPA Filter
Filtering Dust Extractor Bags		
	VB090	Paper Bag - 9 Gal
	VB140	Paper Bag - 14 Gal
	VB090F	Fleece Bag - 9 Gal
	VB140F	Fleece Bag - 14 Gal
	VB090S	Wet/Dry Slurry Bag - 9 Gal
	VB090R	Reusable Fleece Filter Bag - 9 Gal
Non-filtering Dust Extractor Bags		
	VB000P	Plastic Bag - 9/14 Gal
Dust Extractor Hoses		
	VH1635	16ft, 35mm Hose*
	VH1635A	Anti-static 16ft, 35mm Hose*
	VH1035	10ft, 35mm Hose*
	VH1622A	Anti-static 16ft, 22mm Hose*
	VH1022	10ft, 22mm Hose*
	VAC005	16ft, 35mm friction-fit hose
		* includes VX120 adapter

Attachments

	Bosch Model No.	Product description
	VX100	Bend, Anti-static
	VX110	3 Piece Chrome Extension Tube (3ft Total Length)
	VX120	Adapter for Bosch 22/35 mm hoses
	VX130	Floor Nozzle Set
Dust Extractor hose adapters		
	VAC003	Connects 35mm hose to tool port sized for 1-1/4" hoses
	VAC004	Connects 35mm hose to tool port sized for 2-1/2" hoses
	VAC020	Connects 2-1/2" hose to wands, nozzles and tool ports sized for 35 mm hoses
	VAC024	Connects 1-1/4" & 1-1/2" hoses to most Bosch power tool hose ports

Symboles relatifs à la sécurité

Les définitions ci-dessous décrivent le niveau de gravité pour chaque terme signalant un danger. Veuillez lire le mode d'emploi et lire la signification de ces symboles.

	<p>C'est le symbole d'alerte relatif à la sécurité. Il est utilisé pour vous avertir de l'existence possible d'un danger de lésion corporelle. Obéissez à tous les messages relatifs à la sécurité qui suivent ce symbole pour éviter tout risque de blessure ou même de mort.</p>
	<p>DANGER indique une situation dangereuse qui, si elle n'est pas évitée, causera la mort d'une personne ou une blessure grave.</p>
	<p>AVERTISSEMENT indique une situation dangereuse qui, si elle n'est pas évitée, pourrait causer la mort d'une personne ou une blessure grave.</p>
	<p>MISE EN GARDE, conjointement avec le symbole d'alerte en liaison avec la sécurité, indique une situation dangereuse qui, si elle n'est pas évitée, causera une blessure légère ou modérée.</p>

Consignes générales de sécurité

AVERTISSEMENT Veuillez lire et comprendre toutes les consignes. Si on n'observe pas toutes les consignes décrites ci-dessous, il y a risque de choc électrique, d'incendie et/ou de blessures corporelles graves.

CONSERVEZ CES CONSIGNES

Aire de travail

Maintenez l'aire de travail propre et bien éclairée.

Les risques d'accident sont plus élevés quand on travaille dans un endroit encombré ou sombre.

N'utilisez pas d'extracteurs de poussière dans des atmosphères explosives, par exemple en présence de liquides, de gaz ou de poussières inflammables. Les appareils produisent des étincelles qui risquent d'enflammer les poussières ou les vapeurs.

Dites aux enfants, aux visiteurs et aux autres personnes présentes de rester suffisamment éloignés pendant que vous utilisez l'extracteur de poussière. Un aspirateur n'est pas un jouet et ne doit pas être utilisé comme tel. Il faut être très attentif quand des enfants se trouvent à proximité ou l'utilisent.

Sécurité électrique

La prise de courant de l'outil électrique est mise à la terre, et l'extracteur de poussière doit être branché dans une prise de courant installée et mise à la terre correctement, conformément à tous les codes et à toutes les ordonnances. Ne démontez jamais la broche de mise à la terre, ne modifiez jamais la fiche. N'utilisez pas d'adaptateur de prise. Renseignez-vous auprès d'un électricien qualifié si vous avez des doutes quant à la mise à la terre correcte de la prise. En cas de dysfonctionnement électrique ou de rupture de l'extracteur de poussière, la mise à la terre fournit un chemin de moindre résistance pour emporter l'électricité loin de l'utilisateur.

N'insérez pas d'objets comme des trombones ou des tournevis dans la prise de courant de l'outil. La prise de courant est sous tension lorsque l'extracteur de poussière est branché dans la source d'alimentation électrique et lorsque l'interrupteur est dans le mode

sous tension (ON) pour l'activation avec l'outil électrique (Power Tool Activation). Vous risqueriez de recevoir un choc électrique.

Évitez tout contact de votre corps avec des surfaces reliées à la terre tels que tuyaux, radiateurs, gazinières ou réfrigérateurs. Si vous avez absolument besoin d'utiliser l'extracteur de poussière dans un endroit humide, un interrupteur de circuit de fuite à la terre doit être utilisé pour alimenter votre extracteur de poussière en électricité. Vous améliorerez votre sécurité personnelle si vous portez des gants et des chaussures d'électricien en caoutchouc.

N'exposez pas l'extracteur de poussière à la pluie ou à des conditions humides. Cet extracteur de poussière peut être utilisé pour ramasser des liquides non inflammables, mais il n'est pas conçu pour être employé en étant immergé ou submergé dans un liquide. Il y a risque de choc électrique.

Ne manipulez pas la fiche ni l'appareil avec les mains mouillées. Il y a risque de choc électrique.

Ne maltraitez pas le cordon. Ne transportez jamais l'extracteur de poussière par son cordon électrique, ne le tirez pas par son cordon et n'arrachez pas la fiche de la prise de courant. Éloignez le cordon de la chaleur, des huiles, des arêtes coupantes ou des pièces mobiles. Remplacez immédiatement tout cordon abîmé. Ne roulez pas dessus, ne le pincez pas dans une porte. Les cordons abîmés augmentent les risques de choc électrique.

Lorsque vous utilisez un extracteur de poussière à l'extérieur, utilisez un cordon de rallonge conçu pour un emploi à l'extérieur identifié par les lettres « W-A » ou « W ». Ces cordons sont classés pour un emploi à l'extérieur et ils réduisent le risque de choc électrique.

Référez-vous aux tailles recommandées pour les cordons de rallonge sous la rubrique « Cordons de rallonge » de ce mode d'emploi.

Sécurité personnelle et utilisation de l'extracteur de poussière

Faites preuve de vigilance et de bon sens et observez attentivement ce que vous faites lorsque vous utilisez un extracteur de poussière. N'utilisez pas un extracteur de poussière si vous êtes fatigué(e) ou sous l'influence de drogues, d'alcool ou de médicaments. Un simple moment d'inattention pendant que vous utilisez un extracteur de poussière pourrait causer une blessure grave.

Ne risquez pas une mise en marche accidentelle. Assurez-vous que les interrupteurs de l'extracteur de poussière et de l'outil sont éteints (OFF) tous les deux avant de brancher. L'outil doit être désactivé avant de mettre l'interrupteur de l'extracteur de poussière dans le mode sous tension (ON) ou d'activation avec l'outil électrique (Power Tool Activation). Ne laissez pas l'outil électrique branché dans la prise de courant de l'outil électrique sur l'extracteur de poussière pendant l'aspiration normale (interrupteur de mode en position sous tension – ON). Le fait de brancher des extracteurs de poussière ou des outils qui ont un interrupteur sous tension (ON) peut provoquer des accidents.

Ne faites rien qui risquerait de vous faire perdre l'équilibre. Veillez à toujours garder un bon équilibre et un appui stable pour l'extracteur de poussière comme pour vous-même. Faites particulièrement attention lorsque vous nettoyez des escaliers. Un bon équilibre et un appui stable vous permettent de mieux contrôler l'extracteur de poussière dans des situations inattendues.

N'aspirez pas de substances en feu, fumantes ou en train de se consumer, comme des cigarettes, des allumettes ou des cendres chaudes. Un incendie pourrait se déclencher à l'intérieur du réservoir de l'extracteur de poussière.

N'utilisez pas l'aspirateur pour aspirer des liquides inflammables, de l'alcool, des gaz ou des poussières explosives telles que de l'essence ou autres carburants, de l'essence à briquet, du vernis, de l'enduit polyuréthane, des nettoyants, des peintures à base d'huile, du gaz naturel, de l'hydrogène, de la poussière de charbon, de la poussière de magnésium, de la poussière de grain ou de la poudre à canon. Les moteurs électriques produisent des étincelles qui risquent d'enflammer la poussière ou les fumées.

Habillez-vous de manière appropriée. Ne portez pas de vêtements amples ou de bijoux. Attachez les cheveux longs. N'approchez pas les cheveux, les vêtements ou les gants des pièces en mouvement.

Les vêtements amples, les bijoux ou les cheveux longs risquent d'être happés par les pièces en mouvement ou d'être aspirés par les tuyaux ou les suceurs d'aspiration. Maintenez les poignées sèches, propres et exemptes d'huile et de graisse.

Ne mettez pas le tuyau en contact avec de quelconques parties de votre corps pendant le fonctionnement. L'accumulation d'électricité statique pendant le fonctionnement pourrait causer des décharges électriques.

AVERTISSEMENT Utilisez des équipements de sécurité.

Portez toujours une protection oculaire et auditive. Si les conditions le demandent, il faut porter un masque à poussière, des chaussures de sécurité antidérapantes, un casque de chantier ou une protection auditive.

Ce produit contient des produits chimiques dont du plomb. L'état de Californie a déterminé que ces substances sont cancérigènes ou peuvent causer des anomalies congénitales ou d'autres troubles reproductifs. **Lavez-vous les mains après utilisation.**

N'utilisez pas l'aspirateur avec une fiche, un cordon ou un autre composant endommagé. Si votre aspirateur ne fonctionne pas comme il faut, s'il manque des pièces, s'il quelqu'un l'a laissé tomber, s'il est endommagé, s'il a été laissé à l'extérieur ou s'il est tombé dans de l'eau, téléphonez au service d'assistance à la clientèle

Ne mettez aucun objet dans les orifices de ventilation. N'aspirez pas quand de quelconques orifices de ventilation sont obstrués ; assurez-vous que ces orifices ne sont pas bloqués par de la poussière, de la peluche, des cheveux ou de quelconques objets pouvant réduire la circulation de l'air.

Coupez toutes les commandes avant de débrancher.

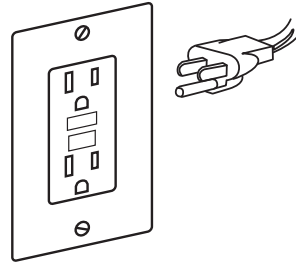
N'utilisez que des accessoires qui sont recommandés par le fabricant pour votre modèle. Des accessoires qui peuvent être appropriés pour un type d'extracteur de poussière peuvent devenir dangereux quand ils sont utilisés sur un autre type d'extracteur de poussière.

Raccorder à une prise de courant correctement mise à la terre. Voir instructions relatives à la mise à la terre.

Instructions relatives à la mise à la terre

Cet appareil doit être mis à la terre. En cas de problème électrique, la mise à la terre fournit un chemin de moindre résistance pour le courant électrique afin de réduire le risque de choc électrique. Cet appareil est muni d'un cordon ayant un conducteur de mise à la terre de l'équipement et d'une fiche de mise à la terre. La fiche doit être insérée dans une prise appropriée qui est installée correctement et mise à la terre conformément à tous les codes et règlements municipaux.

⚠ AVERTISSEMENT Un raccordement inadéquat du conducteur de mise à la terre de l'équipement risque de produire un risque de choc électrique. Consultez un électricien professionnel ou un réparateur compétent en la matière si vous avez le moindre doute quant à la mise à la terre de la prise de courant. Ne modifiez pas la fiche fournie avec cet appareil – si elle ne tient pas dans la prise de courant, demandez à un électricien professionnel d'installer une prise de courant avec mise à la terre conforme aux stipulations du code.



Cet appareil est conçu pour une utilisation sur un circuit de 120 volts (valeur nominale), et il est muni d'une fiche de connexion à trois branches ressemblant à la fiche montrée plus haut. Vérifiez que l'appareil est branché dans une prise de courant ayant la même configuration que la fiche. Aucun adaptateur ne doit être utilisé pour brancher cet appareil.

Consignes de sécurité pour l'extracteur de poussière

Entretien de l'extracteur de poussière

⚠ AVERTISSEMENT Des filtres HEPA Bosch doivent être utilisés lorsque vous employez cet extracteur de poussière dans le cadre d'un programme de rénovation, de réparation et de peinture (RRP) impliquant du travail sur de la peinture contenant du plomb (normes de l'EPA). Si vous n'utilisez pas de filtres HEPA de Bosch pour un tel programme de RRP (EPA), vous risquez de vous exposer à des problèmes de santé et de nuire à l'environnement.

⚠ AVERTISSEMENT N'est pas approprié pour aspirer des substances dangereuses ou toxiques, ou des poussières de matériaux tels que de l'amiante. Ni le filtre standard, ni le filtre HEPA en option ne peut capturer toutes les particules dangereuses, ce qui pourrait causer des dangers pour la santé.

⚠ AVERTISSEMENT Une fois que cet extracteur de poussière a été utilisé dans le cadre d'un programme de rénovation, de réparation et de peinture (RRP) impliquant du travail sur de la peinture contenant du plomb (normes de l'EPA), il est recommandé qu'il soit toujours utilisé dans ce cadre. La présence de substances dangereuses résiduelles dans l'extracteur de poussière pourrait causer des dangers pour la santé et pour l'environnement.

⚠ AVERTISSEMENT En cas d'utilisation de cet extracteur de

poussière dans le cadre d'un programme de rénovation, réparation et peinture (RRP) impliquant du travail sur de la peinture contenant du plomb (normes de l'EPA), il n'est pas recommandé d'utiliser cet extracteur de poussière sur des tapis ou de la moquette. L'extracteur de poussière pourrait ne pas être en mesure d'éliminer complètement toutes les substances dangereuses pouvant entraîner des risques pour la santé et pour l'environnement.

N'utilisez pas cet extracteur de poussière si l'interrupteur ne permet pas de le mettre sous tension (ON) ou hors tension (OFF). Tout extracteur de poussière qui ne peut pas être contrôlé par son interrupteur est dangereux et doit être réparé.

Débranchez la fiche de la source d'alimentation électrique avant d'effectuer des réglages, de changer un accessoire ou de ranger l'extracteur de poussière. De telles mesures de sécurité préventives réduisent le risque de démarrage accidentel de l'extracteur de poussière.

Le total de la consommation réelle d'électricité de l'extracteur de poussière et de l'outil électrique raccordé ne doit pas dépasser 15 A. Le dépassement d'une consommation de courant de 15 A pourrait provoquer la surchauffe du circuit de l'extracteur de poussière et de la dérivation, ce qui créerait un risque d'incendie.

N'aspirez pas de poussière quand il y a du liquide/fluide dans le réservoir de l'extracteur de poussière. N'aspirez pas de liquide/fluide quand il y a de la poussière dans le réservoir de l'extracteur de poussière. Dans les deux cas, videz le réservoir et/ou retirez le sac à poussière avant

toute utilisation afin que la poussière ne s'agglomère pas et ne durcisse pas à l'intérieur du réservoir.

Séchez les filtres complètement après avoir aspiré un liquide ou utilisez un jeu de filtres secs de rechange pour aspirer des poussières. La poussière tend à s'agglutiner sur les filtres mouillés ou humides et à les boucher et ils risquent aussi de moisir.

Après avoir fini de vous en servir, rangez votre extracteur de poussière une fois mis hors tension hors de la portée des enfants et autres personnes n'ayant pas reçu une formation leur permettant de l'utiliser. Les extracteurs de poussière sont dangereux quand ils sont entre les mains d'utilisateurs n'ayant pas reçu la formation nécessaire à leur utilisation.

Entretenez l'extracteur de poussière avec précaution. Dans le cadre de l'entretien de l'extracteur de poussière, inspectez le tuyau flexible pour vous assurer qu'il n'est pas obstrué. Ne placez aucun objet dans les orifices. N'utilisez pas l'aspirateur si un des orifices est bloqué; dégagez-les de toute poussière, peluche, cheveux ou tout autre objet qui risque de réduire le débit d'air. Tout changement ou modification de l'appareil constitue une mauvaise utilisation et risque de résulter en une situation dangereuse.

Assurez-vous que les pièces en mouvement sont bien alignées et qu'elles ne se coincent pas, qu'il n'y a pas de pièces cassées ou qu'il n'existe aucune situation pouvant affecter le fonctionnement de l'extracteur de poussière. Si vous constatez des dommages, faites réparer l'extracteur de poussière avant de vous en servir à nouveau. Des extracteurs de poussière mal entretenus peuvent causer des accidents. Préparez un calendrier d'entretien périodique pour votre extracteur de poussière.








Entretien

Seuls des réparateurs qualifiés doivent réparer cet extracteur de poussière. Tout service ou entretien effectué par une personne non qualifiée peut résulter en un risque de blessure. Par exemple : les fils internes peuvent être mal placés ou pincés.

Lors de toute réparation de cet extracteur de poussière, n'utilisez que des pièces de rechange identiques. Suivez les instructions se trouvant au chapitre « Entretien » de ce mode d'emploi. Si vous utilisez des pièces non agréées ou si vous n'observez pas les instructions d'entretien, il se peut que vous causiez un risque de choc électrique ou de blessure. Certains produits de nettoyage tels que l'essence, le tétrachlorure de carbone, l'ammoniaque, etc. risquent d'endommager les pièces plastiques.






Symboles

IMPORTANT : Certains des symboles suivants peuvent être utilisés sur votre outil. Veuillez les étudier et apprendre leur signification. Une interprétation appropriée de ces symboles vous permettra d'utiliser l'outil de façon plus efficace et plus sûre.

Symbole	Désignation / Explication
V	Volts (voltage)
A	Ampères (courant)
Hz	Hertz (fréquence, cycles par seconde)
W	Watt (puissance)
kg	Kilogrammes (poids)
min	Minutes (temps)
s	Seconds (temps)
CFM	Pieds cubes par minute [ou pi^3 / min] (débit d'air)
\varnothing	Diamètre (taille des mèches de perceuse, meules, etc.)
n_0	Vitesse à vide (vitesse de rotation, à vide)
n	Vitesse nominale (vitesse maximum pouvant être atteinte)
.../min	Tours ou mouvement alternatif par minute (tours, coups, vitesse en surface, orbites, etc., par minute)
0	Position d'arrêt (vitesse zéro, couple zéro ...)
1, 2, 3, ... I, II, III,	Réglages du sélecteur (Réglages de vitesse, de couple ou de position. Un nombre plus élevé signifie une vitesse plus grande)
	Sélecteur variable à l'infini avec arrêt (La vitesse augmente depuis le réglage 0)
	Flèche (action dans la direction de la flèche)
	Courant alternatif (type ou caractéristique du courant)
	Courant continu (type ou caractéristique du courant)
	Courant alternatif ou continu (type ou caractéristique du courant)
	Construction classe II (désigne des outils construits avec double isolation)
	Borne de terre (borne de mise à la terre)

Symboles (suite)

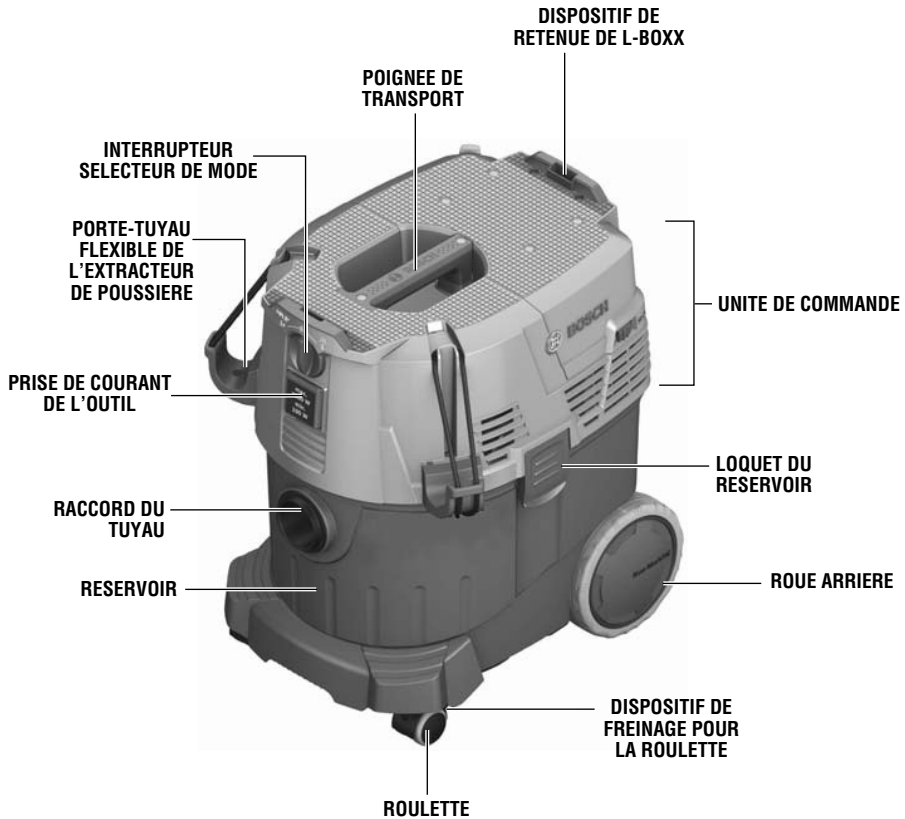
IMPORTANT : Certains des symboles suivants peuvent être utilisés sur votre outil. Veuillez les étudier et apprendre leur signification. Une interprétation appropriée de ces symboles vous permettra d'utiliser l'outil de façon plus efficace et plus sûre.

Symbole	Désignation / Explication
	Désigne le programme de recyclage des piles Li-ion.
	Désigne le programme de recyclage des piles Ni-Cad.
	Alerte l'utilisateur pour lire le mode d'emploi
	Alerte l'utilisateur pour porter des lunettes de sécurité
	Ce symbole signifie que cet outil est approuvé par Underwriters Laboratories.
	Ce symbole indique que ce composant est reconnu par Underwriters Laboratories.
	Ce symbole signifie que cet outil est approuvé par Underwriters Laboratories selon les normes des États-Unis et du Canada.
	Ce symbole signifie que cet outil est approuvé par l'Association canadienne de normalisation.
	Ce symbole signifie que cet outil est approuvé par l'Association canadienne de normalisation selon les normes des États-Unis et du Canada.
	Ce symbole signifie que cet outil est approuvé par Intertek Testing Services selon les normes des États-Unis et du Canada
	Ce symbole signifie que cet outil se conforme aux normes mexicaines NOM.

Description fonctionnelle et caractéristiques

Extracteur de poussière avec nettoyage semi-automatique du filtre (VAC090S et VAC140S)

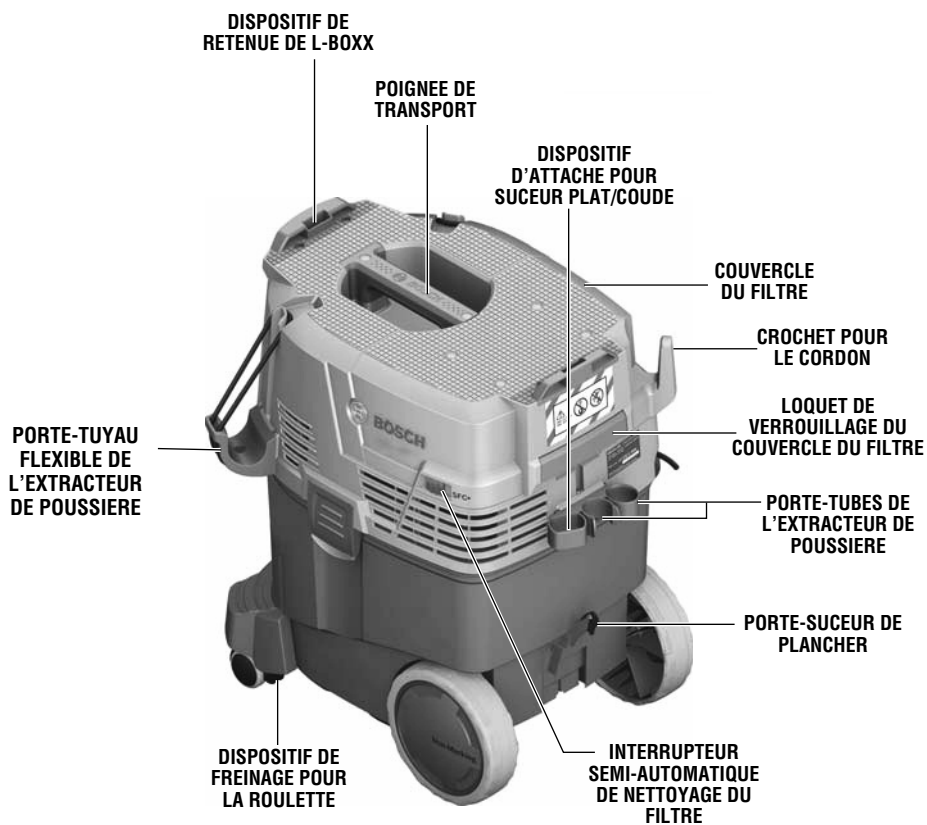
FIG. 1



* Réservoir de 9 gallons illustré. Voir page 29 pour le réservoir de 14 gallons.

Description fonctionnelle et caractéristiques

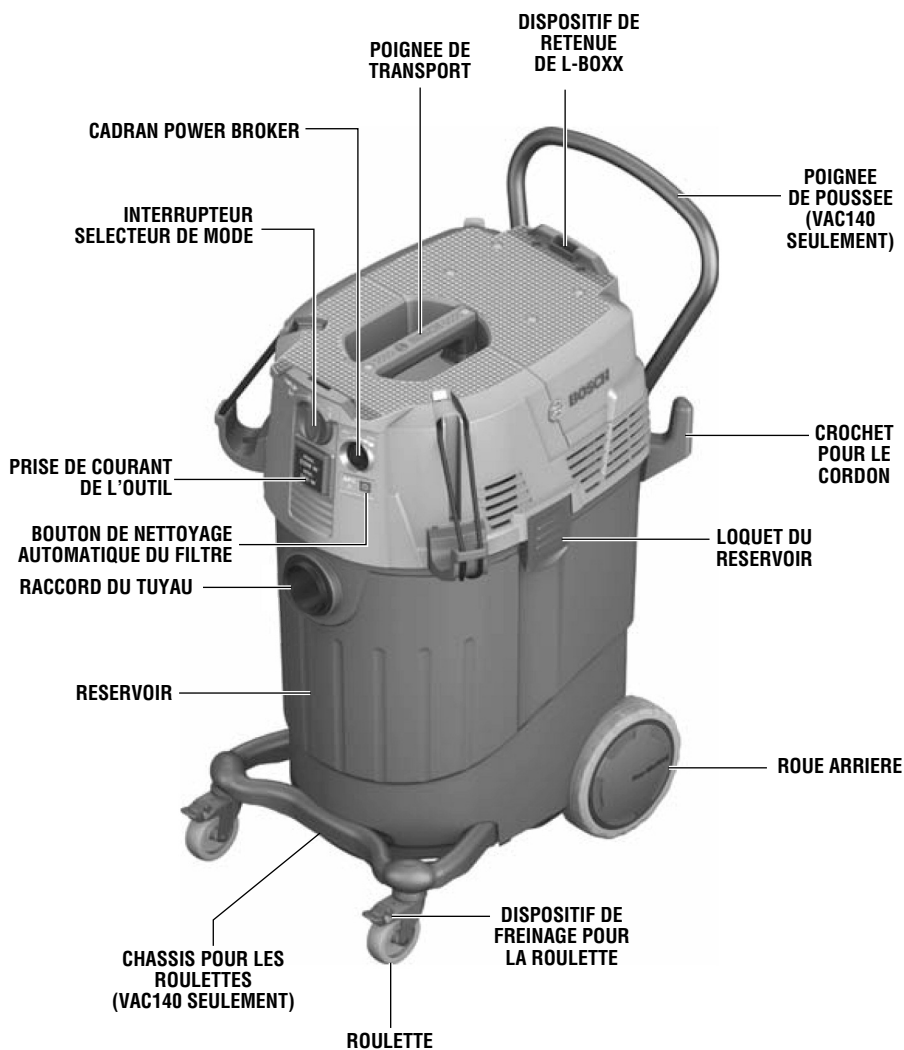
FIG. 2



Description fonctionnelle et caractéristiques

Extracteur de poussière avec nettoyage automatique du filtre (VAC090A et VAC140A)

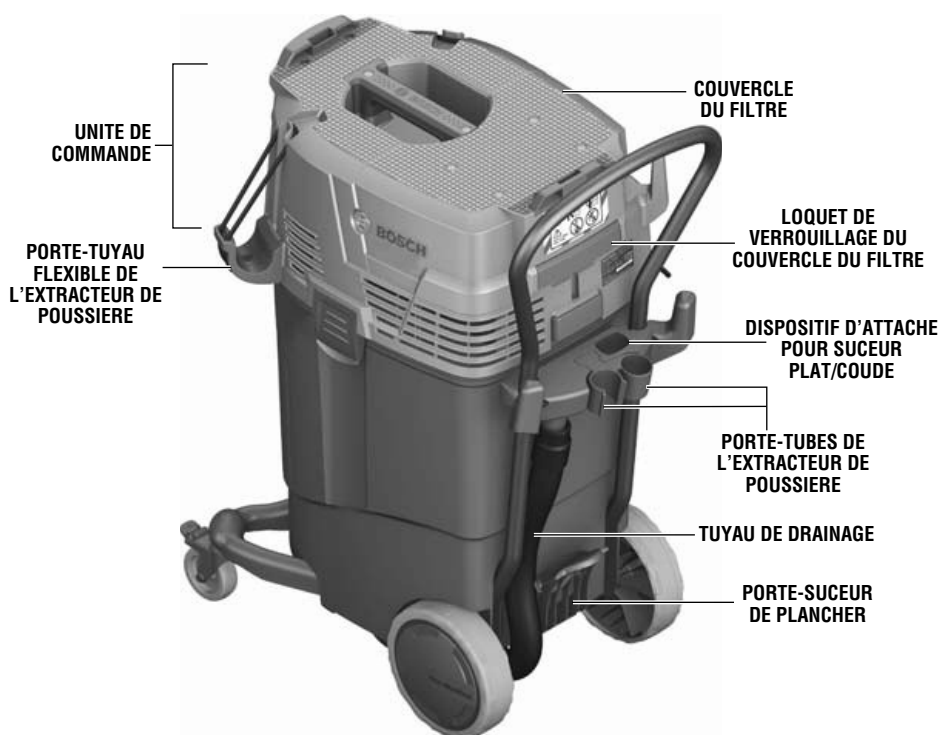
FIG. 3



* Réservoir de 14 gallons illustré. Voir page 27 pour le réservoir de 9 gallons.

Description fonctionnelle et caractéristiques

FIG. 4



Spécifications

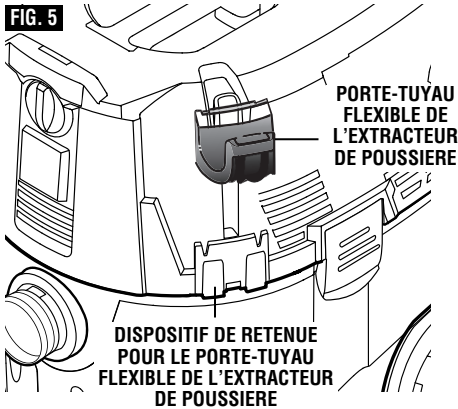
Modèle numéro	VAC090A	VAC090S	VAC140A	VAC140S
Tension	120 V	120 V	120 V	120 V
Fréquence	60 Hz	60 Hz	60 Hz	60 Hz
Puissance nominale	9,5 A	9,5 A	9,5 A	9,5 A
Consommation max. d'électricité de l'outil	7,5 A	5,5 A	7,5 A	5,5 A
Nettoyage du filtre	Automatique	Semi-automatique	Automatique	Semi-automatique
Volume du réservoir (brut)	9 gal.	9 gal.	14,5 gal.	14,5 gal.
Débit d'air (pi ³ /min)	150 pi ³ /min max*	150 pi ³ /min	150 pi ³ /min max*	150 pi ³ /min
Élévation d'eau statique	97 po*	97 po	97 po*	97 po
Pression d'aspiration	242 m bar*	242 m bar	242 m bar*	242 m bar
Niveau de pression sonore	70 dB*	70 dB	70 dB*	70 dB
Poids	28 lb	28 lb	38 lb	37 lb
Longueur du cordon	16,4 pi (5 m)	16,4 pi (5 m)	16,4 pi (5 m)	16,4 pi (5 m)
Longueur du tuyau	9,84 pi (3 m)	9,84 pi (3 m)	9,84 pi (3 m)	9,84 pi (3 m)

* quand le cadran Power Broker™ est sur le réglage Maximum.

Assemblage & Préparation

⚠ AVERTISSEMENT Débranchez la fiche de la prise de courant avant d'effectuer toute opération de montage, de réglage ou de changement d'attache-ments. De telles mesures préventives de sécurité réduisent le risque de démarrage accidentel de l'outil.

FIG. 5



Lors du déballage, assurez-vous que tous les équipements standard sont présents et qu'il n'y a pas eu de dommages pendant le transport.

Avant d'effectuer tout travail sur la machine elle-même, débranchez la fiche d'alimentation électrique.

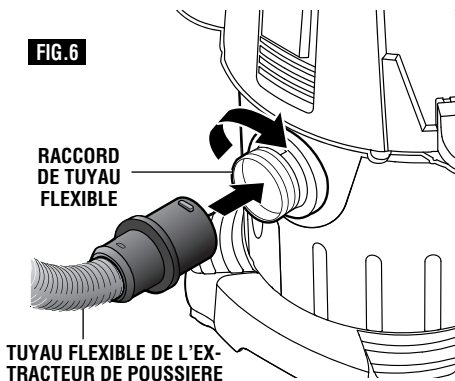
ATTACHEMENT DES PORTE-TUYAUX FLEXIBLES DE L'EXTRACTEUR DE POUSSIÈRE

Slide each hose holder firmly into place. Les dispositifs de fixation s'enclencheront sur l'extracteur de poussière quand ils seront complètement engagés (Fig. 5).

ATTACHEMENT DU TUYAU FLEXIBLE DE L'EXTRACTEUR DE POUSSIÈRE

Insérez le tuyau flexible dans l'orifice et tournez pour verrouiller (Fig. 6). L'orifice pour le tuyau flexible de 2-1/4 po du réservoir est également compatible avec de nombreux tuyaux flexibles d'extracteur de poussière à ajustement par friction, y compris la plupart des tuyaux flexibles de 1-1/4 po, de 1-1/2 po et de 2-1/2 po, ainsi que d'autres tuyaux flexibles de Bosch. (Voir « Attachements », pages 38 et 39).

FIG. 6

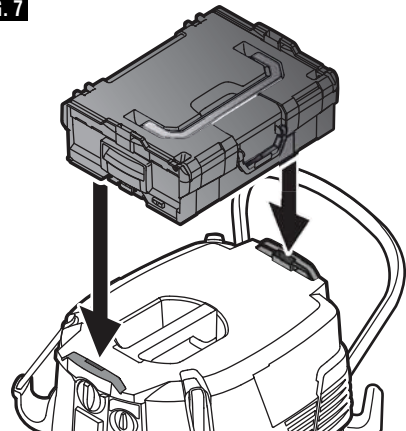


FIXATION D'UN COFFRET L-BOXX

⚠ AVERTISSEMENT Attachez seulement un (1) coffret L-BOXX pesant moins de 13,5 kg / 30 lb sur un extracteur de poussière de modèle VAC. Le placement de plus d'un (1) coffret L-BOXX ou de plus de 13,5 kg/30 lb de poids sur l'extracteur de poussière pourrait rendre celui-ci instable pendant son transport.

⚠ AVERTISSEMENT Ne portez pas l'extracteur de poussière et ne tirez pas dessus en utilisant la poignée du coffret L-BOXX. La poignée du coffret L-BOXX pourrait se casser et causer des dommages matériels ou même des blessures.

FIG. 7



Pour attacher le coffret L-BOXX à l'extracteur de poussière, alignez le coffret L-BOXX sur les dispositifs de retenue et enclenchez le coffret L-BOXX sur l'extracteur de poussière. Pour le détacher, appuyez en même temps sur les leviers de libération rouges et soulevez le coffret L-BOXX pour le séparer de l'extracteur de poussière (Fig. 7).

OPTIONS POUR LA COLLECTE DE POUSSIÈRE

Il existe cinq options possibles pour la collecte de poussière : sac en plastique, sac de filtration en molleton, sac en papier, sac robuste pour boues humides ou matières sèches agglomérées, ou pas de sac.

- Un filtre doit être installé, qu'un sac soit utilisé ou non.

Notes relatives à l'aspiration de matières sèches agglomérées :

- Lors de l'aspiration de matières sèches agglomérées telles que de la poussière fine de cloison sèche, du plâtre, du ciment, de la suie et de la farine, un sac à poussière doit être inséré. En général, les sacs en

molleton sont les meilleurs sacs pour l'aspiration de matières sèches agglomérées car ils durent longtemps, ils attrapent la poussière avant qu'elle n'atteigne le filtre et ils ne laissent échapper que le minimum de poussière au moment de la mise au rebut du sac.

- L'utilisation d'un sac à poussière en papier ou en molleton, ou d'un sac robuste pour boues humides ou matières sèches agglomérées, prolonge la durée de fonctionnement de l'aspirateur à haute performance et lui permet de continuer à fonctionner plus longtemps avant que le filtre ne soit obstrué.
- Les sacs en plastique et en molleton peuvent contenir une charge plus lourde sans se déchirer que les sacs en papier ou les sacs pour boues humides ou matières sèches agglomérées.
- L'utilisation de l'un quelconque des quatre types de sacs à poussière Bosch permet également de jeter les déchets beaucoup plus facilement, en éliminant le nuage de poussière qui est créé lorsque le contenu du réservoir est simplement versé en dehors de celui-ci, ce qui contribue à vous protéger, ainsi que l'environnement, contre toute exposition de particules et de débris pouvant être toxiques.

Notes relatives à l'aspiration de matières humides :

- Les sacs pour boues humides ou matières sèches agglomérées peuvent être utilisés lors de l'aspiration de déchets humides. Ils sont idéalement appropriés pour les applications d'aspiration de boues.
- Les sacs en molleton et les sacs en papier ne doivent pas être utilisés lors de l'aspiration de déchets humides parce que les sacs se déchireraient en raison de la présence d'eau.
- Les sacs en plastique ne doivent pas être utilisés pour l'aspiration de déchets humides étant donné qu'ils risqueraient de se déchirer s'ils contiennent des déchets avec une forte teneur en liquide.
- Voir la section ASPIRATION DE DÉCHETS HUMIDES pour plus de renseignements.

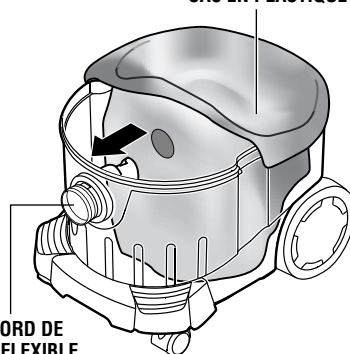
▲ MISE EN GARDE Les fonctions de nettoyage automatique et semi-automatique du filtre doivent être désactivées lors de l'utilisation de sacs en papier. L'inversion du sens de circulation de l'air pendant le nettoyage du filtre risquerait d'endommager le sac en papier.

INSTALLATION D'UN SAC À POUSSIÈRE

1. Déverrouillez les loquets du réservoir et retirez l'unité de contrôle.
2. Installez un sac approprié pour l'application et ayant une taille adéquate pour le réservoir.
3. Saisissez un nouveau sac à poussière à la bride. Poussez-le d'abord par-dessus l'orifice à poussière interne, puis faites-le passer au-dessus de l'anneau surélevé. Assurez-vous que toute la bride repose dans la partie encastrée de l'orifice à poussière interne. Assurez-vous que le sac à poussière n'est pas replié sur lui-même et que toute la longueur du sac est tournée vers l'avant et vers le bas du réservoir.

SAC EN PLASTIQUE

FIG. 8



4. Pour les sacs en plastique seulement – Après que le sac en plastique a été fixé sur l'orifice à poussière interne, enveloppez les bords supérieurs du sac en plastique sur tout le périmètre de la jante au sommet du réservoir. Assurez-vous que le sac en plastique ne fait pas obstacle au mouvement des loquets du réservoir.
5. Rattachez l'unité de contrôle.
6. Verrouillez les loquets du réservoir.

RETRAIT DU SAC À POUSSIÈRE

▲ MISE EN GARDE Quel que soit le sac utilisé, il faut prendre des précautions particulières quand on retire des sacs pleins de débris afin de réduire l'exposition à la poussière en suspension dans l'air (tout particulièrement la poussière de silice produite par du travail sur du béton).

- Déverrouillez les loquets du réservoir et retirez l'unité de contrôle.

Si un sac en plastique est utilisé :

1. Alignez le haut du sac en plastique. Pelez la fermeture de la bande adhésive et repliez celle-ci au-dessus du sac en plastique afin d'assurer l'étanchéité du sac fermé. Conservez la fermeture en vue de réutilisation lors de la quatrième étape.
2. Retirez le sac en plastique de l'orifice à poussière interne en tirant sur le sac vers l'arrière du réservoir.
3. Retirez le sac du réservoir et tordez le haut du sac.
4. Attachez le sac en plastique en dessous de l'ouverture de l'orifice en utilisant la fermeture qui avait été retirée de la bande adhésive du sac lors de la première étape et mettez au rebut de façon appropriée.
5. Essuyez l'extracteur de poussière avec un chiffon humide afin de nettoyer les résidus de poussière.

Si un sac en papier ou en molleton, ou un sac pour boues humides ou matières sèches agglomérées, est utilisé :

1. Retirez le sac de l'orifice à poussière interne en tirant sur la bride vers l'arrière du réservoir.
2. Tirez la languette de la bride vers le haut jusqu'à ce que l'ouverture ait été fermée par la fermeture en papier.

3. Retirez le sac du réservoir et mettez-le au rebut de façon appropriée.
4. Essuyez l'extracteur de poussière avec un chiffon humide afin de nettoyer les résidus de poussière.

Remarque : Faites particulièrement attention lorsque vous retirez des sacs en papier. S'ils sont trop pleins, ils risquent de se déchirer pendant leur retrait de l'extracteur de poussière.

Consignes d'utilisation

AVERTISSEMENT Débranchez la fiche de la prise de courant avant d'effectuer toute opération de montage, de réglage ou de changement d'attache-ments. De telles mesures préventives de sécurité réduisent le risque de démarrage accidentel de l'outil.

AVERTISSEMENT En cas d'utilisation de cet extracteur de poussière dans le cadre d'un programme de rénovation, réparation et peinture (RRP) impliquant du travail sur de la peinture contenant du plomb (normes de l'EPA), il n'est pas recommandé d'utiliser cet extracteur de poussière sur des tapis ou de la moquette. L'extracteur de poussière pourrait ne pas être en mesure d'éliminer complètement toutes les substances dangereuses pouvant entraîner des risques pour la santé et pour l'environnement.

AVERTISSEMENT Ne convient pas pour aspirer des substances ou des poussières dangereuses ou toxiques, par exemple de l'amiante. Ni le filtre standard, ni le filtre HEPA en option ne peut capturer toutes les particules dangereuses, ce qui pourrait causer des dangers pour la santé.

REMARQUE : Lisez la réglementation de l'OSHA sur la poussière de silice et le Tableau 1 associé de l'OSHA sur la silice pour comprendre les mesures à prendre pour réduire l'exposition à la poussière de silice sur les chantiers. Des règles particulières s'appliquent au perçage, à la démolition, à la découpe et au meulage de matériaux contenant de la silice. Selon le Tableau 1 de l'OSHA sur la silice, lorsque vous coupez à sec ou rectifiez à sec la surface de substances similaires à du béton en utilisant des meules tenues à la main, l'extracteur de poussière employé pour la collecte de la poussière doit fournir au moins 25 pi³ / min de débit d'air par section de 2,5 cm / 1 po du diamètre de la meule.

Toutes les réglementations de l'OSHA peuvent être consultées sur le site Web de l'OSHA :

www.osha.gov

Consultez toujours le site Web de l'OSHA pour connaître les toutes dernières réglementations.

Lorsque vous utilisez l'extracteur de poussière lors de travail sur le béton avec des outils et des accessoires d'extraction de poussière associés (tels que des meules ou des marteaux de démolition / rotatifs), suivez toujours les instructions accompagnant les outils / accessoires pour assurer la collecte appropriée de poussière pendant tout le déroulement du travail.

MISE SOUS TENSION/HORS TENSION DE L'EXTRACTEUR DE POUSSIÈRE

Le mode de nettoyage automatique du filtre (Automatic Filter Cleaning / AFC) est activé quand l'extracteur de

poussière VAC090A ou VAC140A est mis sous tension, soit dans le mode d'activation avec l'outil électrique (Power Tool Activation), soit dans le mode d'aspiration normal.

MODE D'ASPIRATION NORMAL

Mise sous tension de l'équipement : Débranchez tout outil électrique connecté de la prise de courant pour l'outil électrique sur l'extracteur de poussière. Réglez le sélecteur de mode sur « ON » (sous tension).

Mise hors tension : Réglez le sélecteur de mode sur « OFF » (Arrêt).

MODE D'ACTIVATION AVEC L'OUTIL ÉLECTRIQUE

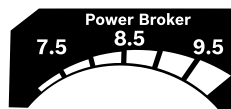
Dans le mode d'activation avec l'outil électrique (Power Tool Activation), lorsque l'outil électrique est mis sous tension, l'outil électrique active automatiquement l'extracteur de poussière.

Mise sous tension (ON) de l'extracteur de poussière

1. Assurez-vous que l'outil électrique est hors tension, puis branchez-le dans la prise de courant pour l'outil électrique sur l'extracteur de poussière.
2. Mettez le sélecteur de mode dans la position « Power Tool Activation » (Fig. 9).



FIG. 9



3. Lorsque l'outil électrique est mis sous tension, l'extracteur de poussière s'active automatiquement.

Mise hors tension (OFF) de l'extracteur de poussière

Pour désactiver l'extracteur de poussière, mettez l'outil électrique connecté hors tension ou mettez le sélecteur de mode dans la position hors tension (OFF).

REMARQUE : Après que l'outil a été mis hors tension, pour permettre de vider le tuyau flexible l'extracteur de poussière se met hors tension de 10 à 15 secondes plus tard.

RACCORDEMENT DE L'OUTIL ÉLECTRIQUE À L'EXTRACTEUR DE POUSSIÈRE

⚠ AVERTISSEMENT Ne risquez pas une mise en marche accidentelle. Assurez-vous que les interrupteurs de l'extracteur de poussière et de l'outil sont hors tension (OFF) tous les deux avant de brancher. L'outil doit être désactivé avant de mettre l'interrupteur de l'extracteur de poussière dans le mode sous tension (ON) ou d'activation avec l'outil électrique (Power Tool Activation). Ne laissez pas l'outil électrique branché dans la prise de courant de l'outil électrique sur l'extracteur de poussière pendant l'aspiration normale (interrupteur de mode en position sous tension – ON). Le fait de brancher des extracteurs de poussière ou des outils qui ont un interrupteur sous tension (ON) peut provoquer des accidents.

⚠ AVERTISSEMENT Le total de la consommation réelle d'électricité de l'extracteur de poussière et de l'outil électrique raccordé ne doit pas dépasser 15 A. Le dépassement d'une consommation de courant de 15A pourrait provoquer la surchauffe du circuit de l'extracteur de poussière et de la dérivation, ce qui créerait un risque d'incendie.

Modèles VAC090A et VAC140A seulement :
POWER BROKER™

FONCTIONNALITE DE REPARTITION DE PUISSANCE

La fonctionnalité Power Broker™ permet de répartir la puissance disponible de façon optimale entre l'extracteur de poussière et l'outil électrique.

Avant de brancher l'outil électrique dans la prise de courant prévue pour l'outil électrique, réglez le cadran POWER BROKER™ de la façon suivante :

1. Déterminez l'intensité nominale de l'outil en la lisant sur la plaquette de données de l'outil.
2. Soustrayez l'intensité nominale de l'outil de 15 A.
3. Réglez le cadran sur la différence. L'intensité de l'outil et le réglage du cadran ne doivent pas dépasser 15 A.

Modèles VAC090S et VAC140S seulement :

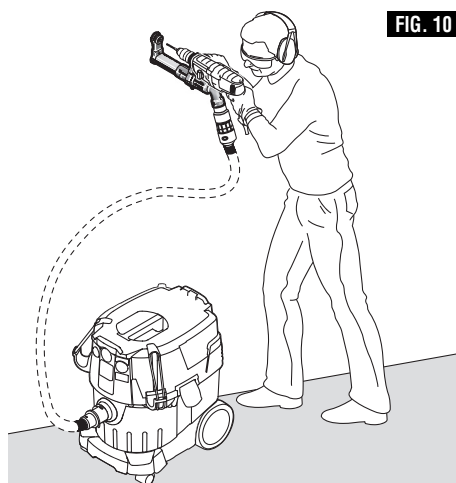
Avant de brancher l'outil dans la prise de courant pour l'outil électrique, assurez-vous que l'intensité de l'outil ne dépasse pas 5,5 A.

Remarques :

- Le disjoncteur du bâtiment pourrait se déclencher si la combinaison de l'intensité nominale et du réglage du cadran dépassait l'intensité nominale du circuit du bâtiment.
- Si la puissance d'extraction de poussière la plus élevée est nécessaire avec un outil électrique qui consomme de l'électricité à une intensité élevée, il peut être nécessaire de brancher l'outil électrique dans un circuit séparé.

RACCORDEMENT DE L'EXTRACTEUR DE POUSSIÈRE AUX OUTILS ÉLECTRIQUES ET AUX ACCESSOIRES

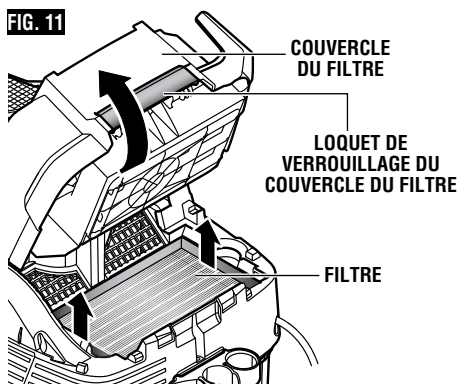
Cet extracteur de poussière peut également être raccordé à divers outils électriques ou à leurs accessoires afin de permettre une extraction et une



collecte faciles de la poussière. Les applications incluent le perçage et la démolition de béton en utilisant des marteaux rotatifs et de démolition, ainsi que le ponçage de diverses substances en utilisant des meules et des ponceuses. Autres outils électriques pouvant être connectés à l'extracteur de poussière : routeurs, raboteuses et scies. Pour déterminer si un accessoire de fixation et/ou un adaptateur est nécessaire pour connecter un certain outil électrique ou un certain tuyau flexible d'extracteur de poussière, consultez le catalogue Bosch ou le site Web (www.boschtools.com). En fonction de l'orifice pour le tuyau flexible sur l'outil électrique ou l'accessoire, l'adaptateur de tuyau flexible de l'outil électrique VX120 inclus pourra glisser dans l'orifice pour le tuyau flexible ou s'enclencher en position avec un déclic. Bosch offre également divers autres adaptateurs de tuyaux flexibles d'extracteurs de poussière (non inclus) pour permettre la connexion du tuyau flexible à des orifices pour tuyaux flexibles de tailles variées. Voir Page 38.

RETRAIT ET REMPLACEMENT DU FILTRE

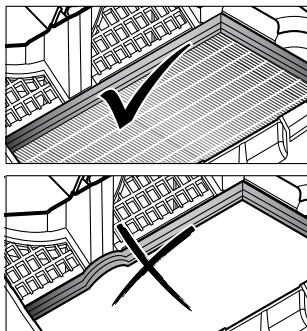
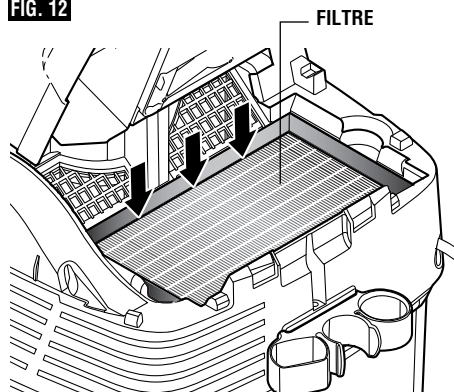
1. Tirez sur le loquet de verrouillage pour le couvercle du filtre et ouvrez le couvercle. Lorsque le couvercle sera totalement ouvert, il se mettra en place en



faisant un déclic (Fig. 11).

2. Saisissez le filtre par le bord, tirez vers le haut et retirez (Fig. 11).
3. Avant d'insérer un nouveau filtre, utilisez un tissu humide et retirez toute la poussière et tous les débris pouvant se trouver dans le compartiment du filtre.
4. Insérez un nouveau filtre et assurez-vous que le filtre repose fermement à sa place (Fig. 12).

FIG. 12



5. Fermez le couvercle du filtre en vous assurant que le couvercle est bien verrouillé en place.

SYSTÈME DE NETTOYAGE DU FILTRE

Les extracteurs de poussière Bosch de la série VAC ont deux types différents de systèmes de nettoyage des filtres : nettoyage automatique du filtre et nettoyage semi-automatique du filtre. Il s'agit de systèmes très agressifs qui maximisent le nettoyage des filtres pour maintenir un débit d'air élevé, même dans les applications très rigoureuses.

⚠ MISE EN GARDE Vérifiez périodiquement le filtre et remplacez-le s'il est usé ou endommagé. L'utilisation de filtres endommagés peut entraîner la libération dans l'air de contaminants indésirables du réservoir.

⚠ MISE EN GARDE Les fonctions de nettoyage automatique et semi-automatique du filtre doivent être

désactivées lors de l'utilisation de sacs en papier. L'inversion du sens de circulation de l'air pendant le nettoyage du filtre risquerait d'endommager le sac en papier.

Remarques :

- Utilisez toujours des sacs de filtration en molleton lorsque vous utilisez des filtres HEPA avec un extracteur de poussière.
- L'utilisation de sacs de filtration en molleton conjointement avec le nettoyage automatique ou semi-automatique du filtre contribue à prolonger la durée de vie du filtre et à maintenir l'efficacité d'aspiration de l'extracteur de poussière.
- Grâce à l'utilisation régulière du système de nettoyage du filtre, la performance d'aspiration maximale est maintenue plus longtemps.
- Le système de nettoyage du filtre doit être activé lorsque la puissance d'aspiration diminue au point de devenir insuffisante.
- Le bruit du système de nettoyage du filtre peut surprendre les personnes se trouvant à proximité de la zone de travail. Avant d'utiliser le système de nettoyage du filtre, alertez les personnes qui se trouvent à proximité de l'extracteur de poussière de ce nettoyage et du bruit qu'il produit.
- La fréquence appropriée pour activer le système de nettoyage du filtre dépend du type et de la quantité de poussière. Grâce à l'utilisation régulière du système de nettoyage du filtre, la performance d'aspiration maximale est maintenue plus longtemps.

Nettoyage automatique du filtre (Automatic Filter Cleaning / AFC) (disponible sur les modèles VAC090A et VAC140A)

Le mode de nettoyage automatique du filtre est activé quand l'extracteur de poussière est mis sous tension, soit dans le mode d'activation avec l'outil électrique (Power Tool Activation), soit dans le mode d'aspiration normal.

Pour désactiver la fonctionnalité AFC (nettoyage automatique du filtre), appuyez sur le bouton à membrane rouge sur le devant de l'extracteur de poussière.

La DEL s'éteindra pour indiquer que cette fonctionnalité est désactivée. Pour la réactiver, appuyez de nouveau sur le bouton à membrane rouge, et le voyant à DEL vert s'allumera pour signaler que la fonction AFC est activée (Fig. 3).

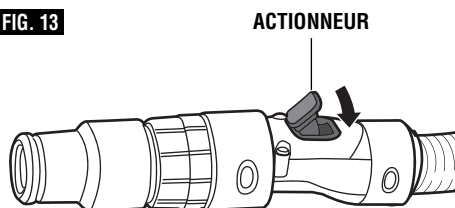
L'inversion du sens du mouvement de l'air nettoie les filtres toutes les 15 secondes, ce qui permet de maintenir le niveau le plus élevé possible de puissance d'aspiration. La puissance d'aspiration de l'extracteur de poussière sera maintenue grâce au nettoyage des filtres.

Nettoyage semi-automatique du filtre (Semi-automatic Filter Cleaning / SFC) (disponible sur les modèles VAC090S et VAC140S)

L'inversion du sens du mouvement de l'air nettoie les filtres lorsque l'actionneur du tuyau flexible est enfoncé ou lorsque le flux d'air est bloqué en recouvrant l'extrémité du tuyau flexible. Aucune

capacité d'aspiration ne sera disponible pendant que les filtres sont en train d'être nettoyés (Fig. 13).

FIG. 13



Pour désactiver la fonctionnalité SFC (nettoyage semi-automatique du filtre), faites glisser l'interrupteur rouge sur le côté de l'extracteur de poussière vers l'avant de l'extracteur de poussière. Pour la réactiver, faites glisser l'interrupteur rouge vers l'arrière de l'extracteur de poussière (Fig. 2).

ASPIRATION À SEC

⚠ MISE EN GARDE Pour réduire l'exposition à la poussière de silice, suivez les directives ci-dessous :

- Utilisez toujours un filtre HEPA et un sac de filtration en molleton.
- Pour les modèles munis d'un système de nettoyage automatique du filtre (AFC), laissez le système AFC activé. Ne désactivez pas le système AFC.
- Pour les modèles munis du système de nettoyage semi-automatique du filtre (SFC), activez périodiquement le système SFC afin de maintenir son efficacité d'aspiration maximale.
- Vérifiez périodiquement le filtre et remplacez-le s'il est usé ou endommagé. N'utilisez jamais d'air comprimé, ne secouez pas le filtre et ne le cognez pas contre un objet pour nettoyer le filtre.
- Essuyez la poussière de l'unité de contrôle de l'extracteur de poussière avec un chiffon humide. Utilisez de l'eau pour nettoyer le réservoir et les accessoires. N'utilisez pas l'extracteur de poussière à nouveau avant qu'il ne soit complètement sec.

ASPIRATION DE DÉCHETS HUMIDES

⚠ AVERTISSEMENT Ne pas utiliser pour aspirer des liquides inflammables, des gaz ou des poussières explosives, comme de l'essence ou d'autres combustibles, de l'essence pour briquets, des vernis, des revêtements de polyuréthane, des articles de nettoyage, des peintures à l'huile, du gaz naturel, de l'hydrogène, de la poussière de charbon, de la poussière de magnésium, de la poussière de céréales ou de la poudre à canon. Les moteurs électriques produisent des étincelles qui pourraient mettre le feu à des poussières ou à de la fumée.

⚠ MISE EN GARDE Il faut utiliser un filtre lors de l'aspiration de déchets humides. N'utilisez pas de filtre HEPA pour aspirer des déchets humides. Un filtre en polyester (PES) (vendu séparément) est recommandé pour l'aspiration de déchets humides. Un filtre en papier peut être utilisé occasionnellement pour l'aspiration de déchets humides, mais il faut le laisser sécher complètement après une telle utilisation pour aider à minimiser la détérioration.

⚠ MISE EN GARDE N'utilisez pas de sacs en papier, en plastique ou en molleton lorsque vous aspirez des déchets humides. Si un sac est utilisé lors de l'aspiration de matériaux humides, utilisez un sac pour boues humides ou matières sèches agglomérées.

Remarques :

- N'activez pas le mode de nettoyage du filtre lorsque le contenu du réservoir est humide.
- L'aspirateur est pourvu de détecteurs de niveau d'eau. Il s'éteint automatiquement lorsque la hauteur de remplissage maximum est atteinte. L'aspirateur est toujours sous tension, mais il ne fonctionnera pas. Il doit être mis hors tension et son réservoir doit être vidé avant de pouvoir être remis en marche.
- Lorsque l'aspirateur est éteint, il est possible qu'un peu d'eau sorte du tuyau flexible.
- Pour éviter le siphonnement ou des renversements, soulevez le tuyau d'aspiration hors du liquide avant de vider le réservoir de l'extracteur de poussière.
- Avant d'ouvrir et de vider, mettez l'interrupteur dans la position « OFF » (Arrêt).
- Avant d'ouvrir et de vider, débranchez toujours le cordon d'alimentation de l'extracteur de poussière de la prise de courant.
- Afin d'éviter le mildiou après l'aspiration de déchets humides, enlevez le sac (si un sac est installé) et retirez le filtre, et laissez-le sécher complètement. Laissez sécher complètement le filtre et l'unité de contrôle de manière que la poussière ne puisse pas adhérer aux surfaces humides.
- Utilisez un filtre sec pour aspirer des déchets secs ensuite. Nous suggérons d'acheter un filtre supplémentaire en alternant fréquemment entre l'aspiration de déchets humides et secs, et de les échanger selon le cas.
- Essuyez la poussière de l'unité de contrôle de l'extracteur de poussière avec un chiffon humide. Utilisez de l'eau pour nettoyer le réservoir et les accessoires. N'utilisez pas l'extracteur de poussière à nouveau avant qu'il ne soit complètement sec.

VIDAGE DU RÉSERVOIR

1. Mettez l'extracteur de poussière hors tension.
2. Débranchez-le de la prise de courant.
3. Retirez le sac de filtration (voir « RETRAIT DU SAC À POUSSIÈRE », à la page 32) ou jetez le contenu du réservoir suivant le cas.

VIDAGE DES LIQUIDES DU RÉSERVOIR (Modèles VAC140A et VAC140S seulement)

1. Mettez l'aspirateur hors tension.
2. Débranchez-le de la prise de courant.
3. Positionnez l'extracteur de poussière à un endroit où il sera possible de vider le contenu du réservoir.
4. Détachez le tuyau flexible de drainage de sa position de rangement sur l'extracteur de poussière et posez le tuyau flexible sur le sol (Fig. 14).
5. Après avoir vidé le réservoir, sécurisez le tuyau flexible de drainage et laissez le réservoir sécher à l'air.



FIG. 14

Maintenance

ENTRETIEN DES DÉTECTEURS DE NIVEAU D'EAU

Nettoyez les détecteurs de niveau d'eau de temps à autre :

1. Déverrouillez les loquets du réservoir et retirez l'unité de contrôle.
2. Nettoyez les détecteurs de niveau d'eau avec un tissu doux.
3. Rattachez l'unité de contrôle.
4. Verrouillez les loquets du réservoir.

Entretien

⚠ AVERTISSEMENT Il est recommandé que l'entretien et la réparation de nos outils soient confiés à un centre de service-usine Bosch ou à un centre de service après-vente Bosch agréé. L'entretien préventif effectué par des employés non autorisés peut entraîner un positionnement erroné des composants et des fils internes, et ainsi causer des blessures sévères.

LUBRIFICATION DE L'OUTIL

Votre outil Bosch a été lubrifié comme il se doit, et il est prêt à être utilisé.

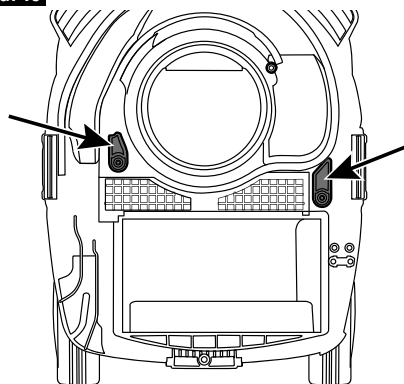
Nettoyage

⚠ AVERTISSEMENT Pour éviter le risque d'accidents, débranchez toujours l'outil de la prise de courant avant de procéder au nettoyage ou à l'entretien.

Gardez les prises d'air et les interrupteurs propres et libres de débris. N'essayez pas de les nettoyer en introduisant des objets pointus dans leurs ouvertures.

Frottez le réservoir de temps en temps avec un produit de nettoyage non décapant disponible dans le commerce, et laissez sécher.

FIG. 15 DÉTECTEURS DE NIVEAU D'EAU



Essuyez la poussière de l'unité de contrôle de l'extracteur de poussière avec un chiffon humide. Utilisez de l'eau pour nettoyer le réservoir et les accessoires. N'utilisez pas l'extracteur de poussière à nouveau avant qu'il ne soit complètement sec.

⚠ MISE EN GARDE Certains produits de nettoyage et dissolvants dont la gazoline, le tétrachlorure de carbone, les nettoyeurs chlorés, l'ammoniaque et les détergents ménagers contenant de l'ammoniaque peuvent abîmer les pièces en plastique.

Cordons de rallonge

AVERTISSEMENT Si un cordon de rallonge s'avère nécessaire, vous devez utiliser un cordon avec conducteurs de dimension adéquate pouvant porter le courant nécessaire à votre outil. Ceci préviendra une chute excessive de tension, une perte de courant ou une surchauffe. Les outils mis à la terre doivent utiliser des cordons de rallonge trifilaires pourvus de fiches à trois broches ainsi que des prises à trois broches.

REMARQUE : Plus le calibre du cordon est petit, plus sa capacité est élevée.

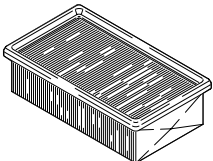
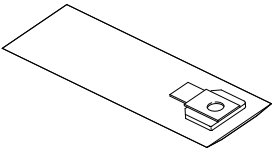
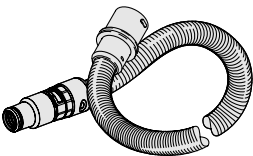
La longueur du cordon de l'extracteur de poussière doit être incluse dans le calcul de la longueur totale du cordon.

DIMENSIONS DE RALLONGES RECOMMANDÉES OUTILS 120 VOLTS COURANT ALTERNATIF

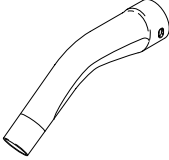
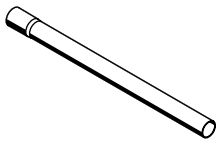
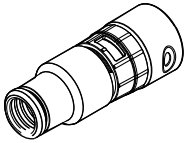
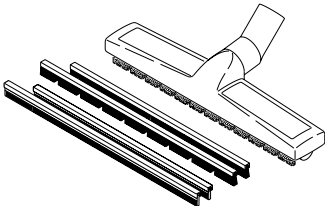

Intensité nominale de l'outil	Calibre A.W.G.				Calibre en mm ²			
	Longueur en pieds				Longueur en mètres			
	25	50	100	150	15	30	60	120
3-6	18	16	16	14	0.75	0.75	1.5	2.5
6-8	18	16	14	12	0.75	1.0	2.5	4.0
8-10	18	16	14	12	0.75	1.0	2.5	4.0
10-12	16	16	14	12	1.0	2.5	4.0	–
12-16	14	12	–	–	–	–	–	–

Attachements

AVERTISSEMENT L'utilisation de quelconques attachements non recommandés dans ce mode d'emploi pourrait créer un danger.





	Modèle Bosch N°	Description du produit
Filtres de l'extracteur de poussière		
	VF100 VF110 VF120H VF130H	Filtre en papier (cellulose) Filtre en polyester/PES Filtre HEPA Filtre HEPA
Sacs filtrants de l'extracteur de poussière		
	VB090 VB140 VB090F VB140F VB090S VB090R	Sac en papier – 9 gallons Sac en papier – 14 gallons Sac en molleton – 9 gallons Sac en molleton – 14 gallons Sac pour boues humides ou matières sèches agglomérées – 9 gallons Sac de filtration en molleton réutilisable – 9 gallons
Sacs non filtrants de l'extracteur de poussière		
	VB000P	Sac en plastique – 9/14 gallons
Tuyaux flexibles de l'extracteur de poussière		
	VH1635 VH1635A VH1035 VH1622A VH1022 VAC005	Tuyau flexible de 16 pi, 35 mm* Tuyau flexible antistatique de 16 pi, 35 mm* Tuyau flexible de 10 pi, 35 mm* Tuyau flexible antistatique de 16 pi, 22 mm* Tuyau flexible de 10 pi, 22 mm* Tuyau flexible à ajustement par friction de 16 pi, 35 mm * Comprend un adaptateur VX120

Attechements

	Modèle Bosch N°	Description du produit
	VX100	Bend, antistatique
	VX110	Tube de rallonge en chrome en trois morceaux (longueur totale : 3 pi)
	VX120	Adaptateur pour tuyaux flexibles 22 pi/35 mm de Bosch
	VX130	Jeu de suceurs pour le sol
Adaptateurs des tuyaux flexibles de l'extracteur de poussière		
	VAC003	Connecte les tuyaux flexibles de 35 mm aux outils ayant des orifices pour les tuyaux flexibles de 1-1/4 po
	VAC004	Connecte les tuyaux flexibles de 35 mm aux outils ayant des orifices pour les tuyaux flexibles de 2-1/2 po
	VAC020	Connecte les tuyaux flexibles de 2-1/2 po aux outils, suceurs et tubes de rallonge ayant des orifices pour les tuyaux flexibles de 35 mm
	VAC024	Connecte les tuyaux flexibles de 1-1/4 po et de 1-1/2 po à la plupart des outils électriques de Bosch ayant des orifices pour tuyaux flexibles

Símbolos de seguridad

Las definiciones que aparecen a continuación describen el nivel de gravedad de cada palabra de señal de seguridad. Por favor, lea el manual y preste atención a estos símbolos.

	Éste es el símbolo de alerta de seguridad. Se utiliza para alertarle a usted de posibles peligros de lesiones corporales. Obedezca todos los mensajes de seguridad que sigan a este símbolo para evitar posibles lesiones o muerte.
	PELIGRO indica una situación peligrosa que, si no se evita, causará la muerte o lesiones graves.
	ADVERTENCIA indica una situación peligrosa que, si no se evita, podría causar la muerte o lesiones graves.
	PRECAUCIÓN, cuando se utiliza con el símbolo de alerta de seguridad, indica una situación peligrosa que, si no se evita, causará lesiones leves o moderadas.

Normas generales de seguridad

ADVERTENCIA Lea y entienda todas las instrucciones. Si no se siguen todas las instrucciones que aparecen a continuación, el resultado podría ser descargas eléctricas, incendio y/o lesiones corporales graves.

GUARDE ESTAS INSTRUCCIONES

Área de trabajo

Mantenga el área de trabajo limpia y bien iluminada. Las áreas desordenadas y oscuras invitan a que se produzcan accidentes.

No utilice extractores de polvo en atmósferas explosivas, tales como las causadas por la presencia de líquidos, gases o polvos inflamables. Los electrodomésticos generan chispas, las cuales pueden incendiar el polvo o los vapores.

Mantenga a las personas que estén presentes, los niños y los visitantes alejados mientras esté utilizando el extractor de polvo. No permita que el extractor de polvo se use como un juguete. Es necesario prestar máxima atención cuando el extractor de polvo sea usada por niños o cuando se utilice cerca de éstos.

Seguridad eléctrica

Este extractor de polvo está diseñado para uso en interiores / exteriores y para recogida de materiales secos o mojados.

El tomacorriente para herramientas eléctricas está conectado a tierra y el extractor de polvo debe enchufarse en un tomacorriente instalado adecuadamente y conectado a tierra apropiadamente de acuerdo con todos los códigos y ordenanzas. No quite nunca el terminal de conexión a tierra ni modifique el enchufe de ningún modo. No use enchufes adaptadores. Consulte con un electricista calificado si tiene dudas sobre si el tomacorriente está conectado a tierra apropiadamente. Si el extractor de polvo tiene algún malfuncionamiento eléctrico o se avería, la conexión a tierra proporciona un camino de baja resistencia para llevar la electricidad alejándola del usuario.

No inserte objetos como sujetapapeles o destornilladores en el tomacorriente para herramientas eléctricas. El

tomacorriente tiene electricidad cuando el extractor de polvo está enchufado en la fuente de alimentación y el interruptor está colocado en el modo de "Activación por herramienta eléctrica" o en el modo de "ENCENDIDO". Es posible que se produzcan descargas eléctricas.

Evite el contacto del cuerpo con las superficies conectadas a tierra, como tuberías, radiadores, estufas y refrigeradores. Hay un riesgo mayor de que se produzcan descargas eléctricas si el cuerpo está conectado a tierra. Si la utilización del extractor de polvo en lugares húmedos es inevitable, se debe usar un interruptor de circuito accionado por corriente de pérdida a tierra para suministrar la alimentación eléctrica al extractor de polvo. Los guantes de goma y el calzado de goma de electricista aumentarán más su seguridad personal.

No exponga el extractor de polvo a la lluvia ni a condiciones mojadas. Este extractor de polvo puede utilizarse para recoger líquidos ininflamables, pero no está diseñado para inmersión o sumersión en un líquido. Podrían producirse descargas eléctricas.

No maneje el enchufe ni el electrodoméstico con las manos mojadas. Podrían producirse descargas eléctricas.

No maltrate el cable de alimentación. No use nunca el cable de alimentación para transportar el extractor de polvo, jalarlo o jalar el enchufe para sacarlo de un tomacorriente. Mantenga el cable de alimentación alejado del calor, el aceite, los bordes afilados o las piezas móviles. Reemplace inmediatamente los cables de alimentación dañados. No maneje un vehículo ni cierre una puerta sobre un cable de alimentación. Los cables de alimentación dañados aumentan el riesgo de que se produzcan descargas eléctricas.

Cuando utilice el extractor de polvo en el exterior, use un cordón de extensión para intemperie marcado con las

letras “W-A” o “W”. Estos cordones tienen capacidad para uso a la intemperie y reducen el riesgo de que se produzcan descargas eléctricas. Consulte la sección Tamaños recomendados de cordones de extensión que se encuentra en la sección Accesorios de este manual.

Seguridad personal y uso del extractor de polvo

Manténgase alerta, fíjese en lo que está haciendo y use el sentido común cuando esté utilizando un extractor de polvo. No use un extractor de polvo cuando esté cansado o bajo la influencia de drogas, alcohol o medicamentos. Un momento de distracción mientras esté utilizando un extractor de polvo puede causar lesiones corporales graves.

Evite el arranque accidental. Asegúrese de que los interruptores del extractor de polvo y de la herramienta estén en la posición de APAGADO antes de enchufar la unidad. Se debe apagar la herramienta antes de poner el interruptor del extractor de polvo en el modo de “Activación por herramienta eléctrica” o de “ENCENDIDO”. No mantenga la herramienta eléctrica enchufada en el tomacorriente para herramientas eléctricas ubicado en el extractor de polvo durante la aspiración normal (interruptor de modo en la posición de “ENCENDIDO”). Si se enchufan extractores de polvo o herramientas que tengan el interruptor en la posición de ENCENDIDO se invita a que se produzcan accidentes.

No intente alcanzar demasiado lejos. Mantenga en todo momento un apoyo de los pies y un equilibrio adecuados, tanto para usted como para el extractor de polvo. Tenga cuidado adicional cuando limpie en escaleras. Un apoyo de los pies y un equilibrio adecuados permiten tener un mejor control del extractor de polvo en situaciones inesperadas.

No use el extractor de polvo para recoger cosas que se estén quemando, que estén humeando o que estén ardiendo sin llama, como cigarrillos, fósforos o cenizas calientes. Es posible que se produzca un incendio dentro del recipiente del extractor de polvo.

No use el extractor de polvo para recoger líquidos, alcoholes o gases inflamables, ni polvos explosivos, como gasolina u otros combustibles, líquido encendedor, barniz, revestimientos de poliuretano, limpiadores, pinturas a base de aceite, gas natural, hidrógeno, polvo de carbón, polvo de magnesio, polvo

de granos o pólvora. Los motores eléctricos generan chispas que pueden incendiar el polvo o los vapores.

Vístase adecuadamente. No use ropa ni joyas holgadas. Sujétese el pelo largo. Mantenga el pelo, la ropa y los guantes alejados de las piezas móviles. La ropa holgada, las joyas holgadas o el pelo largo pueden quedar atrapados en las piezas móviles, la manguera y las boquillas de succión. Mantenga las asas secas, limpias y libres de aceite y grasa.

No sujete la manguera contra cualquier parte del cuerpo durante la utilización. La acumulación de electricidad estática en la manguera durante la utilización podría causar descargas de electricidad estática.

⚠ ADVERTENCIA Utilice equipo de seguridad. Use siempre protección de los ojos y de la audición. Se debe usar una máscara antipolvo, zapatos de seguridad antideslizantes, casco o protección de la audición para las condiciones apropiadas.

Este producto contiene sustancias químicas, incluyendo plomo, que el estado de California sabe que causan cáncer y defectos de nacimiento u otros daños sobre la reproducción. **Lávese las manos después de manejarlo.**

No use el extractor de polvo con el cordón dañado, el enchufe dañado u otras piezas dañadas. Si la aspiradora no funciona como debe, le faltan piezas, se ha caído, ha sido dañada, se ha dejado a la intemperie o se ha caído al agua, llame a servicio al cliente

No ponga ningún objeto en las aberturas de ventilación. No recoja nada con el extractor de polvo cuando cualquiera de las aberturas de ventilación esté bloqueada; mantenga dichas aberturas libres de polvo, pelusa, pelo o cualquier cosa que pueda reducir el flujo de aire.

Apague todos los controles antes de desenchufar la unidad.

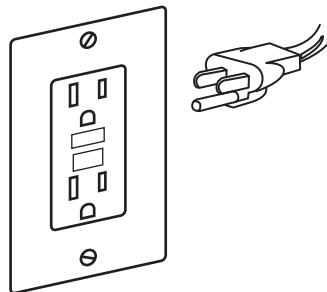
Utilice únicamente aditamentos que estén recomendados por el fabricante para su modelo. Los aditamentos que pueden ser adecuados para un extractor de polvo se pueden volver peligrosos cuando se utilicen en otro extractor de polvo.

Conecte el extractor de polvo solamente a un tomacorriente conectado a tierra adecuadamente. Consulte las instrucciones de conexión a tierra.

Instrucciones de conexión a tierra

Este electrodoméstico se debe conectar a tierra. En caso de mal funcionamiento o avería, la conexión a tierra proporciona una ruta de resistencia mínima para la corriente eléctrica con el fin de reducir el riesgo de sacudidas eléctricas. Este electrodoméstico está equipado con un cordón que tiene un conductor de conexión a tierra del equipo y un enchufe de conexión a tierra. El enchufe debe introducirse en un tomacorriente apropiado que esté instalado correctamente y conectado a tierra adecuadamente, de acuerdo con todos los códigos y ordenanzas locales.

⚠ ADVERTENCIA La conexión incorrecta del conductor de conexión a tierra del equipo puede causar un riesgo de sacudidas eléctricas. Consulte a un electricista calificado o a una persona de servicio competente si tiene dudas sobre si el tomacorriente está conectado a tierra apropiadamente. No modifique el enchufe suministrado con el electrodoméstico. Si el enchufe no cabe en



el tomacorriente, haga que un electricista calificado instale un tomacorriente apropiado.

Este electrodoméstico está diseñado para utilizarse en un circuito de 120 V nominales y tiene un enchufe de conexión a tierra con un aspecto como el del enchufe

que se muestra en la ilustración. Asegúrese de que el electrodoméstico esté conectado a un tomacorriente que tenga la misma configuración que el enchufe. No se debe usar un adaptador con este electrodoméstico.

Normas de seguridad para los extractores de polvo

Cuidado del extractor de polvo

ADVERTENCIA Se deben usar filtros Bosch HEPA cuando se utilice este extractor de polvo para un Programa de Renovación, Reparación y Pintura (RRP) para Pintura a Base de Plomo de la EPA, en lugares en que pueda haber plomo presente. Si no se utilizan filtros Bosch HEPA para un programa RRP de la EPA, el resultado puede ser peligrosos para la salud y ambientales.

ADVERTENCIA Esta unidad no es adecuada para aspirar sustancias o polvos peligrosos o tóxicos, como por ejemplo asbesto. Ni el filtro estándar ni el filtro HEPA opcional son capaces de capturar todas las partículas peligrosas y es posible que dichas partículas causen peligros para la salud.

ADVERTENCIA Una vez que este extractor de polvo se haya usado para un Programa de Renovación, Reparación y Pintura (RRP) para Pintura a Base de Plomo de la EPA en lugares en que pueda haber plomo presente, se recomienda que siempre se use para un programa RRP. Las sustancias residuales peligrosas que queden en el extractor de polvo pueden causar peligros para la salud y ambientales.

ADVERTENCIA Cuando utilice este extractor de polvo para un Programa de Renovación, Reparación y Pintura (RRP) para Pintura a Base de Plomo de la EPA, no se recomienda usarlo para aspirar alfombras y tapices. Puede que el extractor de polvo no sea capaz de retirar por completo todas las sustancias peligrosas y es posible que dichas sustancias causen peligros para la salud y ambientales.

No use el extractor de polvo si el interruptor no lo ENCIENDE o APAGA. Todo extractor de polvo que no pueda controlarse con el interruptor es peligroso y debe ser reparado.

Desconecte el enchufe de la fuente de alimentación antes de hacer cualquier ajuste, cambiar accesorios o almacenar el extractor de polvo. Dichas medidas preventivas de seguridad reducirán el riesgo de arrancar accidentalmente el extractor de polvo.

La suma de los consumos de corriente del extractor de polvo y la herramienta eléctrica conectada no debe exceder 15 A. Si se excede un consumo de corriente de 15 A, el resultado podría ser que el extractor de polvo y el circuito derivado se sobrecalienten, lo cual presenta un riesgo de incendio.

No aspire polvo cuando el recipiente del extractor de polvo contenga líquido/fluido. No aspire líquidos/fluidos cuando haya polvo en el recipiente. En ambos casos vacíe el recipiente y/o retire la bolsa para polvo antes de

usar la unidad, para que el polvo no se aglutine y se endurezca dentro del recipiente.

No use el extractor de polvo para recoger polvo cuando el tanque de el extractor de filtros secos contenga líquido o fluido. No use el extractor de polvo para recoger líquidos o fluidos cuando haya polvo en el tanque. En cualquiera de estos dos casos, vacíe el tanque y/o quite la bolsa para polvo antes de usar el extractor de polvo, para que el polvo no se aglutine y se endurezca dentro del tanque.

Seque completamente los filtros después de usar el extractor de polvo para recoger materiales mojados o use un segundo juego de filtros secos para recoger polvo. En los filtros húmedos o mojados se aglutinará polvo o se formará moho o verdín.

Cuando no se esté usando el extractor de polvo, guárdelo fuera del alcance de los niños y de otras personas que no hayan recibido capacitación para utilizarlo. Los extractores de polvo son peligrosos en manos de los usuarios que no hayan recibido capacitación. **Mantenga el extractor de polvo con cuidado. Mantenga apropiadamente el extractor de polvo para conservar despejada la manguera. No ponga ningún objeto en las aberturas. No use el extractor de polvo si alguna de las aberturas está bloqueada; mantenga las aberturas libres de polvo, pelusa, pelo y cualquier cosa que pueda reducir la circulación de aire.** Cualquier alteración o modificación es un uso incorrecto y puede causar una situación peligrosa.

Compruebe si hay piezas móviles desalineadas o atoradas, si hay piezas rotas y cualquier otra situación que pueda afectar el funcionamiento del extractor de polvo. Si el extractor de polvo está dañado, haga que le realicen servicio de ajustes y reparaciones antes de utilizarlo. Los extractores de polvo mal mantenidos causan muchos accidentes. Desarrolle un programa de mantenimiento periódico para su extractor de polvo.





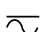


Servicio de ajustes y reparaciones

Solamente personal de reparaciones calificado debe realizar servicio de ajustes y reparaciones en el extractor de polvo. El servicio de ajustes y reparaciones o el mantenimiento realizado por personal no calificado podría causar un riesgo de lesiones. Por ejemplo, los cables internos podrían quedar colocados incorrectamente o pellizcados.

Cuando haga servicio de ajustes y reparaciones en un extractor de polvo, utilice únicamente piezas de repuesto idénticas. El uso de piezas no autorizadas o no seguir las instrucciones de la sección Mantenimiento puede crear un riesgo de que se produzcan descargas eléctricas o lesiones. Ciertos agentes de limpieza, como gasolina, tetracloruro de carbono, amoníaco, etc., pueden dañar las piezas de plástico.

Símbolos

IMPORTANTE: Es posible que algunos de los símbolos siguientes se usen en su herramienta. Por favor, estúdielos y aprenda su significado. La interpretación adecuada de estos símbolos le permitirá utilizar la herramienta mejor y con más seguridad.

Símbolo	Désignación / Explicación
V	Volt (tensión)
A	Ampere (corriente)
Hz	Hertz (frecuencia, ciclos por segundo)
W	Watt (potencia)
kg	Kilogramo (peso)
min	Minuto (tiempo)
s	Segundo (tiempo)
PCM	Pies cúbicos por minuto [o pies ³ /min] (caudal de aire)
∅	Diámetro (tamaño de las brocas taladradoras, muelas, etc)
n_0	Velocidad sin carga (velocidad rotacional sin carga)
n	Velocidad nominal (máxima velocidad obtenible)
.../min	Revoluciones o alternación por minuto (revoluciones, golpes, velocidad de superficie, órbitas, etc., por minuto)
0	Posición "off" (velocidad cero, par motor cero...)
1, 2, 3, ... I, II, III,	Graduaciones del selector (graduaciones de velocidad, par motor o posición. Un número más alto significa mayor velocidad)
	Selector infinitamente variable con apagado (la velocidad aumenta desde la graduación de 0)
	Flecha (Acción en la dirección de la flecha)
	Corriente alterna (tipo o una característica de corriente)
	Corriente continua (tipo o una característica de corriente)
	Corriente alterna o continua (tipo o una característica de corriente)
	Construcción de clase II (designa las herramientas de construcción con aislamiento doble)
	Terminal de toma de tierra (terminal de conexión a tierra)

Símbolos (continuación)

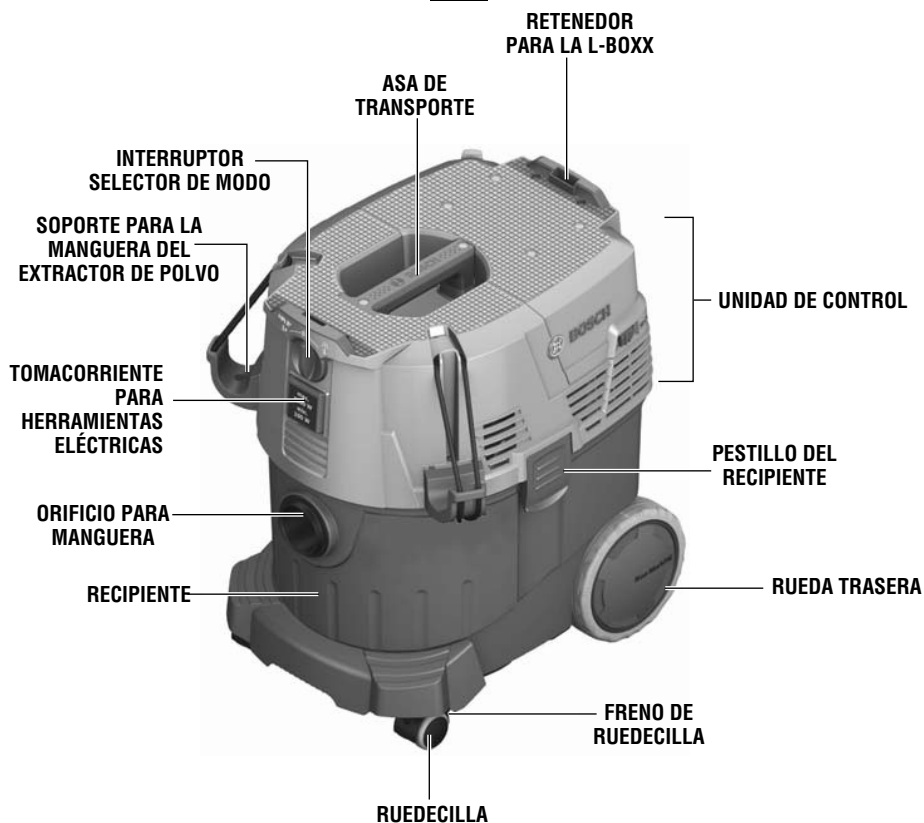
IMPORTANTE: Es posible que algunos de los símbolos siguientes se usen en su herramienta. Por favor, estúdielos y aprenda su significado. La interpretación adecuada de estos símbolos le permitirá utilizar la herramienta mejor y con más seguridad.

Símbolo	Désignación / Explicación
	Designa el programa de reciclaje de baterías de Li-ion.
	Designa el programa de reciclaje de baterías de Ni-Cd.
	Alerta al usuario para que lea el manual.
	Alerta al usuario para que use protección de los ojos.
	Este símbolo indica que esta herramienta está catalogada por Underwriters Laboratories.
	Este símbolo indica que este componente está reconocido por Underwriters Laboratories.
	Este símbolo indica que Underwriters Laboratories ha catalogado esta herramienta indicando que cumple con las normas estadounidenses y canadienses.
	Este símbolo indica que esta herramienta está catalogada por la Canadian Standards Association.
	Este símbolo indica que la Canadian Standards Association ha catalogado esta herramienta indicando que cumple con las normas estadounidenses y canadienses.
	Este símbolo indica que Intertek Testing Services ha catalogado esta herramienta indicando que cumple con las normas estadounidenses y canadienses.
	Este símbolo indica que esta herramienta cumple con la norma mexicana oficial (NOM).

Descripción funcional y especificaciones

Extractor de polvo con limpieza semiautomática del filtro (VAC090S y VAC140S)

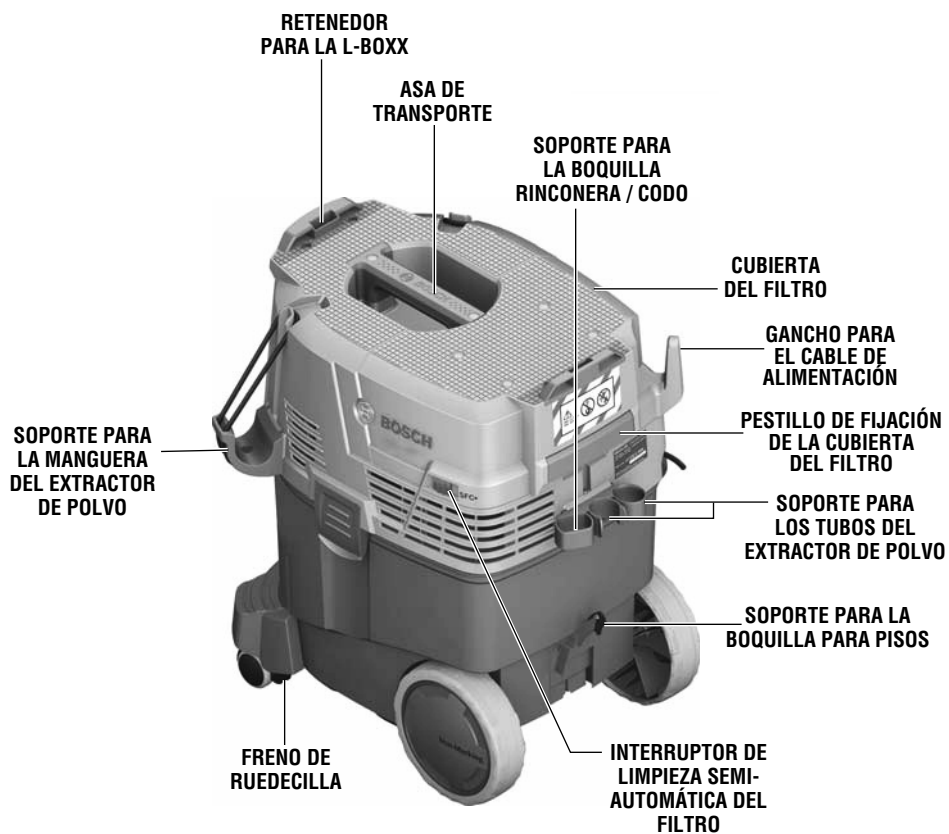
FIG. 1



* Aquí se muestra el recipiente de 9 galones. En la página 47 se muestra el recipiente de 14 galones.

Descripción funcional y especificaciones

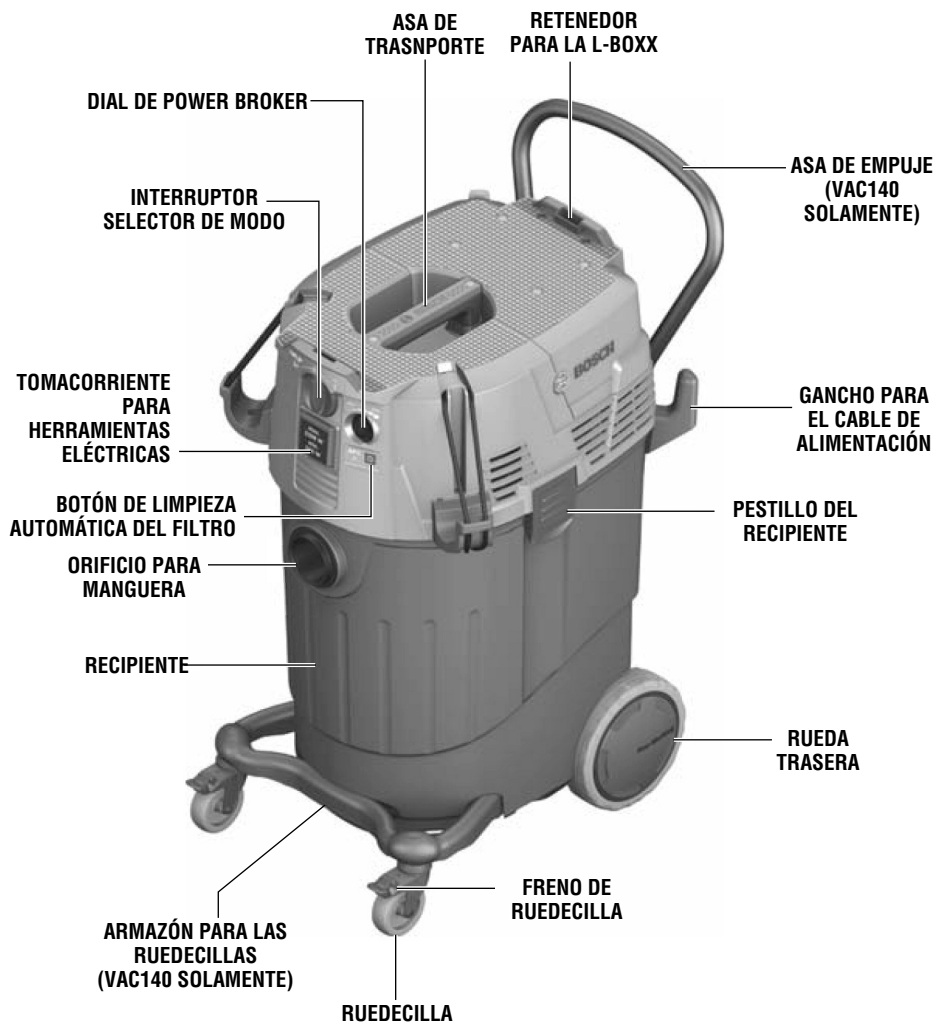
FIG. 2



Descripción funcional y especificaciones

Extractor de polvo con limpieza automática del filtro (VAC090A y VAC140A)

FIG. 3



* Aquí se muestra el recipiente de 14 galones. En la página 45 se muestra el recipiente de 9 galones.

Descripción funcional y especificaciones

FIG. 4



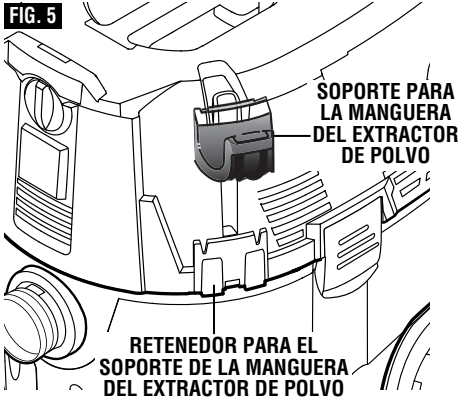
Especificaciones:

Número de modelo	VAC090A	VAC090S	VAC140A	VAC140S
Voltaje	120 V	120 V	120 V	120 V
Frecuencia	60 Hz	60 Hz	60 Hz	60 Hz
Potencia nominal	9.5 A	9.5 A	9.5 A	9.5 A
Consumo máximo de la herramienta eléctrica	7.5 A	5.5 A	7.5 A	5.5 A
Limpieza del filtro	Automática	Semiautomática	Automática	Semiautomática
Volumen del recipiente (bruto)	9 galones	9 galones	14.5 galones	14.5 galones
Flujo de aire (PCM)	150 PCM max*	150 PCM	150 PCM max*	150 PCM
Elevación de agua estática	97 pulgadas*	97 pulgadas	97 pulgadas*	97 pulgadas
Presión de succión	242 mbar*	242 mbar	242 mbar*	242 mbar
Nivel de presión sonora	70 dB*	70 dB	70 dB*	70 dB
Peso	28 lb	28 lb	38 lb	37 lb
Longitud del cordón	16.4 pies (5 m)	16.4 pies (5 m)	16.4 pies (5 m)	16.4 pies (5 m)
Longitud de la manguera	9.84 pies (3 m)	9.84 pies (3 m)	9.84 pies (3 m)	9.84 pies (3 m)

* cuando el dial Power Broker™ esté en la posición de ajuste máximo.

Montaje y preparación

⚠ ADVERTENCIA Desconecte el enchufe de la fuente de alimentación antes de hacer cualquier ensamblaje o ajuste, o cambiar aditamentos. Dichas medidas preventivas de seguridad reducen el riesgo de arrancar la herramienta accidentalmente.



Cuando desempaque la unidad, asegúrese de que todo el equipo estándar esté presente y que no haya daños que se hayan producido durante el transporte.

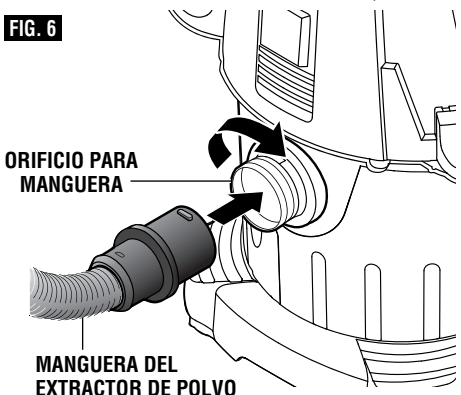
Antes de realizar cualquier trabajo en la propia máquina, desconecte el enchufe de alimentación.

INSTALACIÓN DE LOS SOPORTES PARA LA MANGUERA DEL EXTRACTOR DE POLVO

Deslice cada soporte para manguera firmemente hasta la posición correcta. Los soportes para manguera se ajustarán a presión en el extractor de polvo cuando estén completamente acoplados (Fig. 5).

CONEXIÓN DE LA MANGUERA DEL EXTRACTOR DE POLVO

Inserte la manguera en el orificio y gírela para fijarla (Fig. 6). El orificio para manguera de 2-1/4 pulgadas ubicado en el recipiente también acepta muchas mangueras de extractor de polvo de ajuste por fricción, incluyendo la mayoría de mangueras de 1-1/4 pulgadas, mangueras de 1-1/2 pulgadas, mangueras de 2-1/2 pulgadas y otras mangueras Bosch. (Consulte

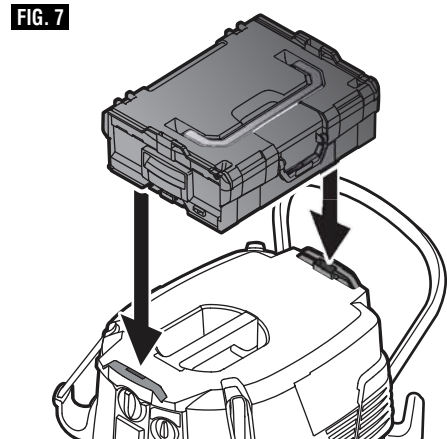


“Aditamentos”, página 56 y 57).

ACOPLAMIENTO DE LA L-BOXX

⚠ ADVERTENCIA Acople solamente una (1) L-BOXX que pese menos de 30 lb a la parte superior de un extractor de polvo modelo VAC. Es posible que más de una (1) L-BOXX o más de 30 lb de peso hagan que el extractor de polvo se vuelva inestable al transportarlo.

⚠ ADVERTENCIA No lleve ni levante el extractor de polvo por el asa de la L-BOXX. Es posible que el asa de la L-BOXX se rompa y cause daños materiales o lesiones corporales.



Para acoplar la L-BOXX al extractor de polvo, alinee la L-BOXX con los retenedores y acople a presión con un clic la L-BOXX sobre el extractor de polvo. Para retirarla, presione simultáneamente las palancas de liberación rojas y levante la L-BOXX hasta separarla del extractor de polvo (Fig. 7).

OPCIONES DE RECOLECCIÓN DE POLVO

Hay cinco opciones de recolección de polvo: bolsa de plástico, bolsa de filtro de vellón, bolsa de papel, bosa para suspensiones mojadas/secas o sin bolsa.

- Debe haber instalado un filtro tanto si se usa alguna de las bolsas como si no.

Notas para aspirar materiales secos:

- Cuando aspire materiales secos, tales como polvo fino procedente de panel de yeso, yeso, cemento, hollín y harina, se deberá insertar una bolsa para polvo. En general, las bolsas de vellón son las mejores bolsas para aspirar materiales secos, porque son duraderas, atrapan el polvo antes de que llegue al filtro y permiten que la cantidad de polvo que escapa sea mínima en el momento de desechar la bolsa.

- El uso de bolsas de papel, de vellón o para suspensiones mojadas/secas prolonga la cantidad de tiempo que la unidad funciona a alto rendimiento y aumenta la cantidad de tiempo que toma para que el filtro se obstruya.
- Las bolsas de plástico y las bolsas de vellón pueden soportar una carga más pesada sin desgarrarse que las bolsas de papel o para suspensiones mojadas/secas.
- El uso de cualquiera de los cuatro tipos de bolsas para polvo Bosch también facilita mucho el desecho de residuos, al eliminar la nube de polvo que se crea cuando el contenido del recipiente simplemente es vertido al exterior, lo cual ayuda a protegerlo a usted y a proteger al medio ambiente contra la exposición a las partículas y los residuos no deseados.

Notas para aspirar materiales mojados:

- Las bolsas para suspensiones mojadas/secas se pueden usar cuando se aspiren materiales mojados. Son las más adecuadas para aplicaciones de succión de suspensiones.
- Las bolsas de vellón y las bolsas de papel no se deberán usar cuando se aspiren materiales mojados, porque el agua hará que la bolsa de rompa en pedazos.
- Las bolsas de plástico no se deberán usar cuando se aspiren materiales mojados, porque es posible que la bolsa se desgarre al retirarla si está completamente llena de líquido.
- Consulte la sección ASPIRACIÓN DE MATERIALES MOJADOS para obtener más información.

PRECAUCIÓN La limpieza semiautomática del filtro y la limpieza automática del filtro se deben apagar cuando se utilicen bolsas de papel. Es posible que la inversión del flujo de aire durante la limpieza del filtro dañe la bolsa de papel.

INSTALACIÓN DE UNA BOLSA PARA POLVO

1. Desbloquee los pestillos del recipiente y retire la unidad de control.
2. Asegúrese de instalar una bolsa que sea adecuada para la aplicación y tenga el tamaño correcto para el recipiente.
3. Agarre por la pestaña una bolsa para polvo nueva. Empújela primero sobre el orificio para polvo interno y luego sobre el anillo en relieve. Asegúrese de que toda la pestaña esté asentada en el área rebajada del orificio para polvo interno. Asegúrese de que la bolsa para polvo no esté doblada sobre sí misma y que toda la longitud de la bolsa esté orientada hacia la parte delantera y la parte inferior del recipiente.
4. Sólo para bolsas de plástico: Después haber acoplado la bolsa de plástico al orificio para polvo interno, doble los bordes superiores de la bolsa de plástico sobre todo el perímetro del reborde ubicado en la parte superior del recipiente. Asegúrese de que la bolsa de plástico no interfiera con los pestillos del recipiente.
5. Reinstale la unidad de control.
6. Cierre los pestillos del recipiente.

REMOCIÓN DE LA BOLSA PARA POLVO

PRECAUCIÓN Independientemente de la bolsa que se utilice, se necesita precaución especial cuando se retiren bolsas llenas de residuos, para reducir la exposición al polvo suspendido en el aire (especialmente al polvo de sílice procedente de aplicaciones en concreto).

- Desbloquee los pestillos del recipiente y retire la unidad de control.

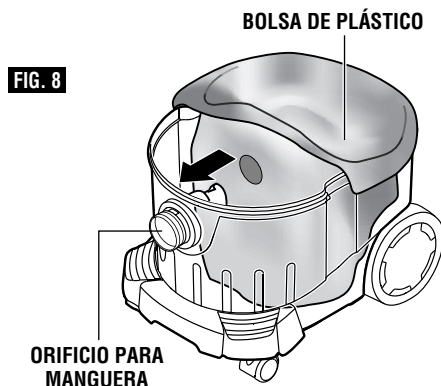
Si se utiliza una bolsa de plástico:

1. Alinee la parte superior de la bolsa de plástico. Desprenda la cubierta de la franja adhesiva y doble dicha franja sobre la bolsa de plástico para cerrar y sellar la parte superior. Guarde la cubierta para usarla en el paso 4.
2. Retire la bolsa de plástico del orificio para polvo interno, jalando la bolsa hacia la parte trasera del recipiente.
3. Saque la bolsa del recipiente y gire la parte superior de la bolsa.
4. Amarre la bolsa de plástico debajo de la abertura del orificio, utilizando la cubierta que se retiró de la franja adhesiva de la bolsa en el paso 1, y deséchela adecuadamente.
5. Limpie el extractor de polvo con un paño húmedo para eliminar los residuos de polvo.

Si se utiliza una bolsa de papel, de vellón o para suspensiones mojadas/secas:

1. Retire la bolsa del orificio para polvo interno jalando la pestaña hacia la parte trasera del recipiente.
2. Jale la lengüeta ubicada en la pestaña hacia arriba hasta que la abertura haya sido cerrada por la cubierta de papel.
3. Saque la bolsa del recipiente y deséchela adecuadamente.
4. Limpie el extractor de polvo con un paño húmedo para eliminar los residuos de polvo.

Nota: Tenga precaución adicional cuando retire las bolsas de papel. Si las bolsas están demasiado llenas, se pueden desgarrar al retirarlas del extractor de polvo.



Instrucciones de utilización

⚠ ADVERTENCIA Desconecte el enchufe de la fuente de alimentación antes de hacer cualquier ensamblaje o ajuste, o cambiar aditamentos. Dichas medidas preventivas de seguridad reducen el riesgo de arrancar la herramienta accidentalmente.

⚠ ADVERTENCIA Cuando utilice este extractor de polvo para un Programa de Renovación, Reparación y Pintura (RRP) para Pintura a Base de Plomo de la EPA, no se recomienda usar este extractor de polvo para aspirar alfombras y tapices. Puede que el extractor de polvo no sea capaz de retirar por completo todas las sustancias peligrosas y es posible que dichas sustancias causen peligros para la salud y ambientales.

⚠ ADVERTENCIA Esta unidad no es adecuada para aspirar sustancias o polvos peligrosos o tóxicos, como p. ej., asbesto. Ni el filtro estándar ni el filtro HEPA opcional son capaces de capturar todas las partículas peligrosas y es posible que dichas partículas causen peligros para la salud.

NOTA: Lea el reglamento OSHA sobre el polvo de sílice y la Tabla 1 relacionada sobre los reglamentos OSHA para la sílice, para entender los requisitos necesarios para reducir la exposición al polvo de sílice en el sitio de construcción. Se aplican reglas específicas al taladrado, la demolición, el corte y el amolado de materiales que contienen sílice. Según la Tabla 1 sobre los reglamentos OSHA para la sílice, cuando se corten en seco o se amolen en seco superficies de materiales tipo concreto utilizando amoladoras de mano, el extractor de polvo (colector de polvo) que se esté usando debe suministrar 25 PCM o más de caudal de aire por pulgada diámetro de la rueda.

Todos los requisitos OSHA se pueden encontrar en el sitio web de la OSHA:

www.osha.gov

Consulte siempre el sitio web de la OSHA para informarse sobre los últimos reglamentos.

Cuando utilice el extractor de polvo en aplicaciones en concreto con herramientas y aditamentos de extracción de polvo relacionados (tales como martillos rotativos / de demolición o amoladoras), siga siempre las instrucciones provistas con las herramientas y los aditamentos para asegurar una recolección de polvo adecuada durante toda la aplicación.

ENCENDIDO Y APAGADO DEL EXTRACTOR DE POLVO

La limpieza automática del filtro (LAF) está activa siempre que se encienda el extractor de polvo VAC090A y VAC140A en el modo de "Activación por herramienta eléctrica" o en el modo de aspiración normal.

MODO DE ASPIRACIÓN NORMAL

Encendido de la unidad: Desenchufe cualquier herramienta eléctrica conectada del tomacorriente para herramientas eléctricas ubicado en el extractor de polvo. Ajuste el interruptor selector de modo a la posición de "ENCENDIDO".

Apagado de la unidad: Ajuste el interruptor selector de modo a la posición de APAGADO.

MODO DE "ACTIVACIÓN POR HERRAMIENTA ELÉCTRICA"

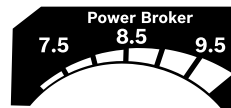
En el modo de "Activación por herramienta eléctrica", al encender la herramienta eléctrica, ésta enciende automáticamente el extractor de polvo.

ENCENDIDO del extractor de polvo

1. Asegúrese de que la herramienta eléctrica esté apagada y luego enchúfela en el tomacorriente para herramientas eléctricas que se encuentra en el extractor de polvo.
2. Ponga el interruptor selector de modo en la posición de "Activación por herramienta eléctrica" (Fig. 9).



FIG. 9



3. Al encender la herramienta eléctrica, ésta enciende automáticamente el extractor de polvo.

APAGADO del extractor de polvo

Para apagar el extractor de polvo, apague la herramienta eléctrica conectada o ponga el interruptor selector de modo en la posición de "APAGADO".

NOTA: Después de apagar la herramienta, para vaciar la manguera, el extractor de polvo se apaga de 10 a 15 segundos más tarde.

CONEXIÓN DE UNA HERRAMIENTA ELÉCTRICA AL EXTRACTOR DE POLVO

⚠ ADVERTENCIA Evite el arranque accidental. Asegúrese de que los interruptores del extractor de polvo y de la herramienta estén en la posición de APAGADO antes de enchufar la unidad. La herramienta se debe apagar antes de poner el interruptor del extractor de polvo en el modo de "Activación por herramienta eléctrica" o en "ENCENDIDO". No mantenga la herramienta eléctrica enchufada en el tomacorriente para herramientas eléctricas que se encuentra en el extractor de polvo durante la aspiración normal (interruptor de modo en la posición de "ENCENDIDO"). Si se enchufan extractores de polvo o herramientas que tengan el interruptor en la posición de ENCENDIDO se invita a que se produzcan accidentes.

⚠ ADVERTENCIA La suma de los consumos de corriente del extractor de polvo y la herramienta eléctrica conectada no debe exceder 15 A. Si se excede el consumo de corriente de 15 A, el resultado podría ser que el extractor de polvo y el circuito derivado se sobrecalienten, con lo cual se presenta un riesgo de incendio.

Modelos VAC090A y VAC140A solamente:
POWER BROKER™
DISPOSITIVO DE ASIGNACIÓN DE POTENCIA

El dispositivo Power Broker™ permite asignar óptimamente la potencia disponible entre el extractos de polvo y la herramienta eléctrica.

Antes de conectar la herramienta eléctrica al tomacorriente para herramientas eléctricas, ajuste el dial POWER BROKER™ de la siguiente manera:

1. Obtenga la capacidad nominal en A de la herramienta que se indica en la placa de datos de la misma.
2. Reste de 15 A la capacidad nominal en A de la herramienta.
3. Ajuste el dial a la diferencia. Los ajustes de A y del dial de la herramienta no deben exceder 15 A

Modelos VAC090S y VAC140S solamente:

Antes de conectar la herramienta al tomacorriente para herramientas eléctricas, asegúrese de que la capacidad nominal de la herramienta no exceda 5,5 A.

Notas:

- El cortacircuito del edificio puede saltar si la combinación de capacidad nominal en A de la herramienta eléctrica y el ajuste del dial excede la capacidad nominal en A del circuito del edificio.
- Si se necesita la potencia completa del extractor de polvo con una herramienta eléctrica que consume muchos amperes, puede que sea necesario enchufar la herramienta eléctrica en un circuito aparte.

CONEXIÓN DEL EXTRACTOR DE POLVO A HERRAMIENTAS ELÉCTRICAS Y SUS ADITAMENTOS

Este extractor de polvo también se puede conectar a

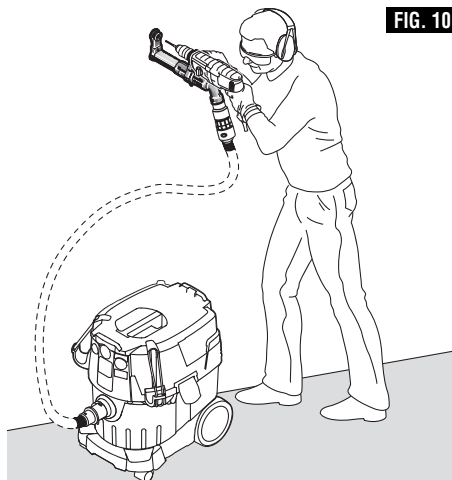


FIG. 10

diversas herramientas eléctricas o sus aditamentos para extraer y recoger fácilmente el polvo. Las aplicaciones incluyen taladrar y demoler concreto utilizando martillos rotativos y de demolición, así como lijar diversos materiales utilizando amoladoras y lijadoras. Otras herramientas eléctricas que se pueden conectar al extractor de polvo incluyen fresadoras, cepilladoras y sierras. Para determinar si se requiere cualquier aditamento y/o adaptador para conectar una herramienta eléctrica dada y una manguera de extractor de polvo, consulte el catálogo Bosch o visite el sitio web de Bosch (www.boschtools.com). Dependiendo del orificio para manguera que se encuentre en la herramienta eléctrica o en el aditamento, el adaptador de manguera para herramienta eléctrica VX120 incluido se puede deslizar hacia el interior del orificio para manguera o se puede acoplar a presión en la posición correcta. Bosch también ofrece una variedad de otros adaptadores de manguera de extractor de polvo (no incluidos) para permitir que la manguera se conecte a orificios para manguera de diversos tamaños. Consulte la página 56.

REMOCIÓN Y REEMPLAZO DEL FILTRO

1. Jale el pestillo de fijación de la cubierta del filtro y abra la cubierta. Cuando la cubierta esté completamente abierta se acoplará a presión con un clic en la posición correcta (Fig. 11).
2. Agarre el filtro por el borde, jálelo hacia arriba y retírelo (Fig. 11).

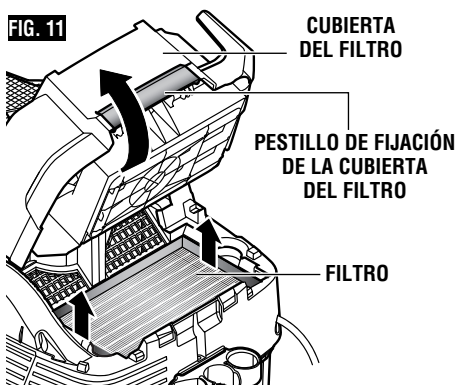
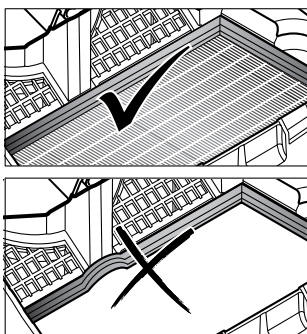
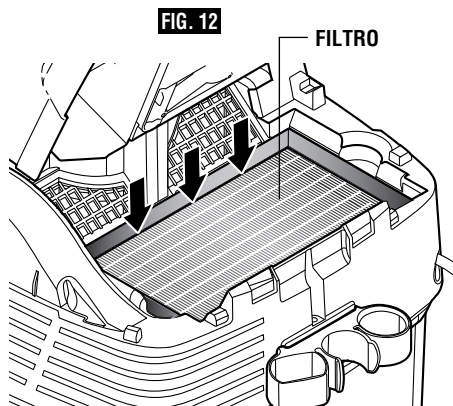


FIG. 11

3. Antes de insertar un filtro nuevo, utilice un paño húmedo y quite todo polvo y residuos que se encuentren en el compartimiento del filtro.
4. Inserte el filtro nuevo y asegúrese de que esté asentado firmemente en la posición correcta (Fig. 12).
5. Cierre la cubierta del filtro, asegurándose de que queda fija en la posición correcta.

SISTEMA DE LIMPIEZA DEL FILTRO

Los extractores de polvo Bosch serie VAC tienen 2 tipos de sistemas de limpieza del filtro: limpieza automática del filtro y limpieza semiautomática del filtro. Se trata de sistemas muy agresivos que maximizan la limpieza del



filtro para mantener un caudal de aire (PCM) elevado incluso en aplicaciones de servicio pesado.

PRECAUCIÓN Compruebe periódicamente el filtro y reemplácelo si está desgastado o dañado. El uso de un filtro dañado puede hacer que el recipiente libere contaminantes no deseados que son transportados por el aire.

PRECAUCIÓN La limpieza semiautomática del filtro y la limpieza automática del filtro deben estar apagadas cuando se utilicen bolsas de papel. Es posible que la inversión del flujo de aire durante la limpieza del filtro dañe la bolsa de papel.

Notas:

- Utilice siempre bolsas de filtro de vellón cuando use filtros HEPA con el extractor de polvo.
- Las bolsas de filtro de vellón en combinación con la limpieza automática o semiautomática del filtro ayudarán a prolongar la vida útil del filtro y mantener la eficiencia de succión del extractor de polvo.
- Con el uso normal del sistema de limpieza del filtro se mantiene más tiempo el máximo rendimiento de aspiración.
- El sistema de limpieza del filtro se debe activar cuando la potencia de succión disminuya hasta el punto de ser insuficiente.

- Es posible que el sonido del sistema de limpieza del filtro sorprenda a las personas que estén cerca del área de trabajo. Antes de utilizar la limpieza del filtro, alerte a las personas que estén en la vecindad del extractor de polvo acerca de esta función y el sonido asociado que hace.
- La frecuencia correcta para activar el sistema de limpieza del filtro depende del tipo y la cantidad de polvo. Con el uso normal, el rendimiento de aspiración máximo se mantiene más tiempo.

Limpieza automática del filtro (LAF) (disponible en los modelos VAC090A y VAC140A)

La limpieza automática del filtro está activa siempre que se enciende el extractor de polvo en el modo de "Activación por herramienta eléctrica" o en el modo de aspiración normal.

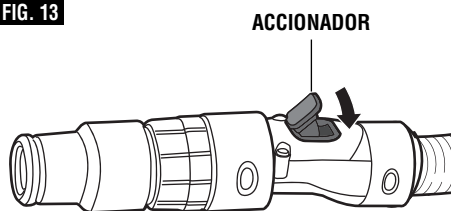
Para desactivar la función de LAF, presione el botón de membrana rojo ubicado en la parte delantera del extractor de polvo. La luz LED se apagará para señalar que esta función está desactivada. Para reactivar la función, presione el botón de membrana rojo una segunda vez y la luz LED verde se encenderá, señalando que la función de LAF está activada (Fig. 3).

Las inversiones del flujo de aire limpiarán los filtros cada 15 segundos, manteniendo el más alto nivel de potencia de succión. La succión del extractor de polvo se mantendrá mientras se estén limpiando los filtros.

Limpieza semiautomática del filtro (LSF) (disponible en los modelos VAC090S y VAC140S)

Las inversiones del flujo de aire limpiarán los filtros cuando se presione el accionador ubicado en la manguera o cuando se bloquee el flujo de aire cubriendo el extremo de la manguera. No habrá succión disponible mientras se estén limpiando los filtros (Fig. 13).

FIG. 13



Para desactivar la función de LSF, deslice el interruptor rojo ubicado en un lado del extractor de polvo hacia la parte delantera del mismo. Para reactivar la función, deslice el interruptor rojo hacia la parte trasera del extractor de polvo (Fig. 2).

ASPIRACIÓN DE MATERIALES SECOS

PRECAUCIÓN Para reducir el riesgo de exposición al polvo de sílice, siga las pautas que se indican a continuación:

- Utilice siempre un filtro HEPA y una bolsa de filtro de vellón.
- En el caso de modelos equipados con limpieza automática del filtro (LAF), deje "ENCENDIDO" el

sistema de LAF. No apague el sistema de LAF.

- En el caso de modelos equipados con sistema de limpieza semiautomática del filtro (LSF), active periódicamente el sistema de LSF para mantener la máxima eficiencia de aspiración.
- Compruebe periódicamente el filtro y reemplácelo si está desgastado o dañado. No utilice nunca aire comprimido, ni sacuda el filtro ni lo golpee contra un objeto para limpiarlo.
- Quite el polvo de la unidad de control del extractor de polvo con un paño húmedo. Use agua para limpiar el recipiente y los aditamentos. No use el extractor de polvo hasta que esté completamente seco.

ASPIRACIÓN DE MATERIALES MOJADOS

⚠ ADVERTENCIA No utilice la unidad para aspirar líquidos o gases inflamables, ni polvos explosivos, tales como gasolina u otros combustibles, líquido encendedor, barniz, revestimientos de poliuretano, limpiadores, pinturas a base de aceite, gas natural, hidrogeno, polvo de carbón, polvo de magnesio, polvo de grano o pólvora. Los motores eléctricos generan chispas, las cuales pueden incendiar el polvo o los vapores.

⚠ PRECAUCIÓN Se debe utilizar un filtro cuando se aspiren materiales mojados. No utilice un filtro HEPA para aspirar materiales mojados. Se recomienda un filtro de poliéster (PES) (vendido por separado) para aspirar materiales mojados. Se puede usar ocasionalmente un filtro de papel para aspirar materiales mojados, pero se debe dejar que se seque completamente después de dicho uso para ayudar a minimizar el deterioro.

⚠ PRECAUCIÓN No utilice una bolsa de papel, de plástico o de vellón cuando aspire. Si se va a usar una bolsa cuando se aspiren materiales mojados, se debe emplear una bolsa para suspensiones mojadas/secas

Notas:

- No active el modo de limpieza del filtro cuando el contenido del recipiente esté mojado.
- La unidad está equipada con sensores del nivel de agua. La unidad se apagará cuando se alcance la altura máxima de llenado. La unidad aún tendrá energía eléctrica, pero no funcionará. La unidad se debe apagar y vaciar antes de que se pueda encender de nuevo.
- Al apagar la unidad, es posible que salga un poco de agua de la manguera.
- Para evitar el sifonamiento o los derrames, levante la manguera de succión para sacarla del líquido antes de drenar el extractor de polvo.
- Antes de abrir y vaciar el extractor de polvo, mueva el interruptor hasta la posición de APAGADO.
- Antes de abrir y vaciar el extractor de polvo, desconecte siempre el cable del extractor de polvo de la fuente de alimentación.
- Para evitar la formación de moho, después de aspirar materiales mojados, retire la bolsa (si hubiera una instalada), retire el filtro y deje que se seque completamente. Seque completamente el filtro y la unidad de control para que el polvo no se pueda adherir a las partes húmedas.
- Use un filtro seco para la aspiración subsiguiente de materiales secos. Sugerimos comprar un filtro adicional cuando se alterne frecuentemente entre aspiración de materiales mojados y secos, y que se intercambien los filtros según sea apropiado.
- Quite el polvo de la unidad de control del extractor de polvo con un paño húmedo. Use agua para limpiar el recipiente y los aditamentos. No use el extractor de polvo hasta que esté completamente seco.

VACIADO DEL RECIPIENTE

1. Apague la unidad.
2. Desconecte la unidad de la fuente de alimentación.
3. Retire la bolsa de filtro (consulte "REMOCIÓN DE LA BOLSA PARA POLVO" en la página 50) o vacíe el recipiente según sea adecuado.

VACIADO DE LÍQUIDOS DEL RECIPIENTE (modelos VAC140A y VAC140S solamente)

1. Apague la unidad.
2. Desconecte la unidad de la fuente de alimentación.
3. Posicione el extractor de polvo en un área en la que el contenido del recipiente se pueda drenar.
4. Desacople la manguera de drenaje de la posición de almacenamiento en el extractor de polvo y ponga dicha manguera en el piso (Fig. 14).
5. Una vez que se haya vaciado el recipiente, asegure la manguera de drenaje y deje que el recipiente se seque al aire.



FIG. 14

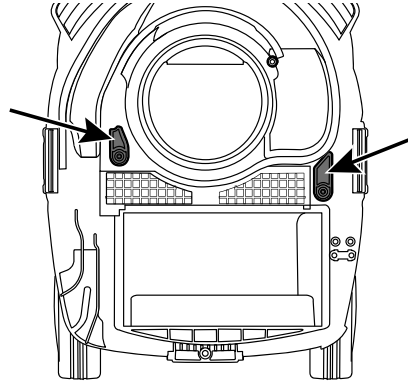
Mantenimiento

MANTENIMIENTO DE LOS SENSORES DEL NIVEL DE AGUA

Limpie ocasionalmente los sensores del nivel de agua:

1. Desbloquee los pestillos del recipiente y retire la unidad de control.
2. Limpie los sensores del nivel de agua con un paño suave.
3. Acople de nuevo la unidad de control.
4. Cierre los pestillos del recipiente.

FIG. 15 SENSORES DEL NIVEL DE AGUA



Servicio

⚠ ADVERTENCIA Recomendamos que todo el servicio de las herramientas sea realizado por un Centro de servicio de fábrica Bosch o por una Estación de servicio Bosch autorizada. El mantenimiento preventivo realizado por personal no autorizado puede dar lugar a la colocación incorrecta de cables y componentes internos que podría causar lesiones graves.

LUBRICACION DE LAS HERRAMIENTAS

Su herramienta Bosch ha sido lubricada adecuadamente y está lista para la utilización.

Limpieza

⚠ ADVERTENCIA Para evitar accidentes desconecte siempre la herramienta de la fuente de energía antes de la limpieza o de la realización de cualquier mantenimiento.

Las aberturas de ventilación y las palancas de interruptor deben mantenerse limpias y libres de materias extrañas. No intente limpiar introduciendo objetos puntiagudos a través de las aberturas.

Quite el polvo de la unidad de control del extractor de polvo con un paño húmedo. Use agua para limpiar el recipiente y los aditamentos. No use el extractor de polvo hasta que esté completamente seco.

⚠ PRECAUCION Ciertos agentes de limpieza y disolventes dañan las piezas de plástico. Algunos de estos son: gasolina, tetracloruro de carbono, disolventes de limpieza clorados, amoníaco y detergentes domésticos que contienen amoníaco.

Cordones de extensión

⚠ ADVERTENCIA Si es necesario un cordón de extensión, se debe usar un cordón con conductores de tamaño adecuado que sea capaz de transportar la corriente necesaria para la herramienta. Esto evitará caídas de tensión excesivas, pérdida de potencia o recalentamiento. Las herramientas conectadas a tierra deben usar cordones de extensión de 3 hilos que tengan enchufes de 3 terminales y receptáculos para 3 terminales.

NOTA: Cuanto más pequeño sea el número de calibre, más alta será la capacidad del cordón.

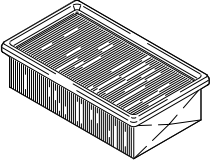
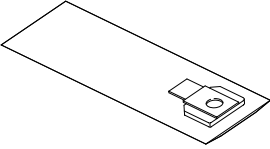
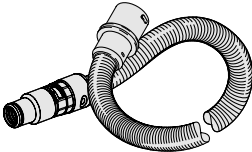
La longitud del cable de alimentación del extractor de polvo se debe incluir en el cálculo de la longitud total del cordón de extensión.

TAMAÑOS RECOMENDADOS DE CORDONES DE EXTENSIÓN HERRAMIENTAS DE 120 V CORRIENTE ALTERNA

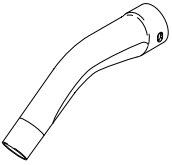
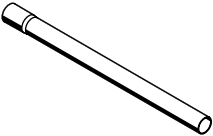
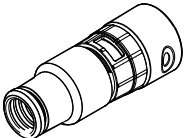
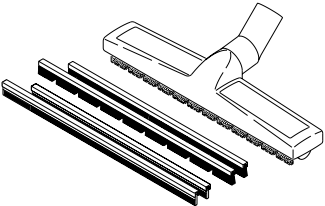

Capacidad nominal en amperes de la herramienta	Tamaño del cordón en A.W.G.				Tamaños del cable en mm ²			
	Longitud del cordón en pies				Longitud del cordón en metros			
	25	50	100	150	15	30	60	120
3-6	18	16	16	14	0.75	0.75	1.5	2.5
6-8	18	16	14	12	0.75	1.0	2.5	4.0
8-10	18	16	14	12	0.75	1.0	2.5	4.0
10-12	16	16	14	12	1.0	2.5	4.0	–
12-16	14	12	–	–	–	–	–	–

Aditamentos

⚠ ADVERTENCIA El uso de cualquier otro aditamento no especificado en este manual puede crear un peligro.

	Núm. de modelo Bosch	Descripción del producto
Filtros de extractor de polvo		
	VF100	Filtro de papel (celulosa)
	VF110	Filtro de poliéster/PES
	VF120H	Filtro HEPA
	VF130H	Filtro HEPA
Bolsas de extractor de polvo filtrantes		
	VB090	Bolsa de papel de 9 gal.
	VB140	Bolsa de papel de 14 gal.
	VB090F	Bolsa de vellón de 9 gal.
	VB140F	Bolsa de vellón de 14 gal.
	VB090S	Bolsa para suspensiones mojadas/secas de 9 gal.
	VB090R	Bolsa de filtro de vellón reutilizable de 9 gal.
Bolsas de extractor de polvo no filtrantes		
	VB000P	Bolsa de plástico de 9/14 de galón
Mangueras de extractor de polvo		
	VH1635	Manguera de 16 pies, 35 mm*
	VH1635A	Manguera antiestática de 16 pies, 35 mm*
	VH1035	Manguera de 10 pies, 35 mm*
	VH1622A	Manguera antiestática de 16 pies, 22 mm*
	VH1022	Manguera de 10 pies, 22 mm*
	VAC005	Manguera de ajuste por fricción de 16 pies, 35mm
		* incluye el adaptador VX120

Aditamentos

	Núm. de modelo Bosch	Descripción del producto
	VX100	Codo antiestático
	VX110	Tubo extensor de cromo de 3 piezas (3 pies de longitud total)
	VX120	Adaptador para mangueras Bosch de 22/35 mm
	VX130	Juego de boquilla para pisos
Adaptadores de manguera de extractor de polvo		
	VAC003	Conecta la manguera de 35mm al orificio de la herramienta de tamaño para mangueras de 1-1/4 pulgadas
	VAC004	Conecta la manguera de 35mm al orificio de la herramienta de tamaño para mangueras de 2-1/2 pulgadas
	VAC020	Conecta la manguera de 2-1/2 pulgadas a tubos extensores, boquillas y orificios de la herramienta de tamaño para mangueras de 35 mm
	VAC024	Conecta mangueras de 1-1/4 y 1-1/2 pulgadas a la mayoría de orificios para manguera de las herramientas eléctricas Bosch



Notes • Remarques • Notas:





Notes • Remarques • Notas:



LIMITED WARRANTY OF BOSCH PORTABLE AND BENCHTOP POWER TOOLS

Robert Bosch Tool Corporation ("Seller") warrants to the original purchaser only, that all BOSCH portable and benchtop power tools will be free from defects in material or workmanship for a period of one year from date of purchase. SELLER'S SOLE OBLIGATION AND YOUR EXCLUSIVE REMEDY under this Limited Warranty and, to the extent permitted by law, any warranty or condition implied by law, shall be the repair or replacement of parts, without charge, which are defective in material or workmanship and which have not been misused, carelessly handled, or misrepaired by persons other than Seller or Authorized Service Station. To make a claim under this Limited Warranty, you must return the complete portable or benchtop power tool product, transportation prepaid, to any BOSCH Factory Service Center or Authorized Service Station. For Authorized BOSCH Power Tool Service Stations, please refer to your phone directory.

THIS LIMITED WARRANTY DOES NOT APPLY TO ACCESSORY ITEMS SUCH AS CIRCULAR SAW BLADES, DRILL BITS, ROUTER BITS, JIGSAW BLADES, SANDING BELTS, GRINDING WHEELS AND OTHER RELATED ITEMS.

ANY IMPLIED WARRANTIES SHALL BE LIMITED IN DURATION TO ONE YEAR FROM DATE OF PURCHASE. SOME STATES IN THE U.S., SOME CANADIAN PROVINCES DO NOT ALLOW LIMITATIONS ON HOW LONG AN IMPLIED WARRANTY LASTS, SO THE ABOVE LIMITATION MAY NOT APPLY TO YOU.

IN NO EVENT SHALL SELLER BE LIABLE FOR ANY INCIDENTAL OR CONSEQUENTIAL DAMAGES (INCLUDING BUT NOT LIMITED TO LIABILITY FOR LOSS OF PROFITS) ARISING FROM THE SALE OR USE OF THIS PRODUCT. SOME STATES IN THE U.S. AND SOME CANADIAN PROVINCES DO NOT ALLOW THE EXCLUSION OR LIMITATION OF INCIDENTAL OR CONSEQUENTIAL DAMAGES, SO THE ABOVE LIMITATION OR EXCLUSION MAY NOT APPLY TO YOU.

THIS LIMITED WARRANTY GIVES YOU SPECIFIC LEGAL RIGHTS, AND YOU MAY ALSO HAVE OTHER RIGHTS WHICH VARY FROM STATE TO STATE IN THE U.S., PROVINCE TO PROVINCE IN CANADA AND FROM COUNTRY TO COUNTRY.

THIS LIMITED WARRANTY APPLIES ONLY TO PORTABLE AND BENCHTOP ELECTRIC TOOLS SOLD WITHIN THE UNITED STATES OF AMERICA, CANADA AND THE COMMONWEALTH OF PUERTO RICO. FOR WARRANTY COVERAGE WITHIN OTHER COUNTRIES, CONTACT YOUR LOCAL BOSCH DEALER OR IMPORTER.

GARANTIE LIMITÉE DES OUTILS ÉLECTRIQUES PORTATIFS ET D'ÉTABLI BOSCH

Robert Bosch Tool Corporation (le « vendeur ») garantit à l'acheteur initial seulement que tous les outils électriques portatifs et d'établi BOSCH seront exempts de vices de matériaux ou d'exécution pendant une période d'un an depuis la date d'achat. LA SEULE OBLIGATION DU VENDEUR ET LE SEUL RECOURS DE L'ACHETEUR sous la présente garantie limitée, et en autant que la loi le permette sous toute garantie ou condition implicite qui en découlerait, sera l'obligation de remplacer ou réparer gratuitement les pièces défectueuses matériellement ou comme fabrication, pourvu que lesdites défectuosités ne soient pas attribuables à un usage abusif ou à quelque réparation bricolée par quelqu'un d'autre que le vendeur ou le personnel d'une station-service agréée. Pour présenter une réclamation en vertu de cette garantie limitée, vous devez renvoyer l'outil électrique portatif ou d'établi complet, port payé, à tout centre de service agréé ou centre de service usine. Veuillez consulter votre annuaire téléphonique pour les adresses.

LA PRÉSENTE GARANTIE NE S'APPLIQUE PAS AUX ACCESSOIRES TELS QUE LAMES DE SCIES CIRCULAIRES, MÊCHES DE PERCEUSES, FERS DE TOUPIES, LAMES DE SCIES SAUTEUSES, COURROIES DE PONÇAGE, MEULES ET AUTRES ARTICLES DU GENRE.

TOUTE GARANTIE IMPLICITE SERA LIMITÉE COMME DURÉE À UN AN À COMPTER DE LA DATE D'ACHAT. CERTAINS ÉTATS AMÉRICAINS, CERTAINES PROVINCES CANADIENNES N'ADMETTANT PAS LE PRINCIPE DE LA LIMITATION DE LA DURÉE DES GARANTIES IMPLICITES, IL EST POSSIBLE QUE LES LIMITATIONS CI-DESSUS NE S'APPLIQUENT PAS À VOTRE CAS.

EN AUCUN CAS LE VENDEUR NE SAURAIT ÊTRE TENU POUR RESPONSABLE DES INCIDENTS OU DOMMAGES INDIRECTS (INCLUANT, MAIS NE SE LIMITANT PAS AUX PERTES DE PROFITS) CONSÉCUTIFS À LA VENTE OU L'USAGE DE CE PRODUIT. CERTAINS ÉTATS AMÉRICAINS ET CERTAINES PROVINCES CANADIENNES N'ADMETTANT PAS LE PRINCIPE DE LA LIMITATION NI L'EXCLUSION DES DOMMAGES INDIRECTS ET CONSÉCUTIFS, IL EST POSSIBLE QUE LES LIMITATIONS OU EXCLUSIONS CI-DESSUS NE S'APPLIQUENT PAS À VOTRE CAS.

LA PRÉSENTE GARANTIE VOUS ACCORDE DES DROITS BIEN DÉTERMINÉS, Y COMPRIS POSSIBLEMENT CERTAINS DROITS VARIABLES DANS LES DIFFÉRENTS ÉTATS AMÉRICAINS, PROVINCES CANADIENNE ET DE PAYS À PAYS.

CETTE GARANTIE LIMITÉE NE S'APPLIQUE QU'AUX OUTILS ÉLECTRIQUES PORTATIFS ET D'ÉTABLI VENDUS AUX ÉTATS-UNIS D'AMÉRIQUE, AU CANADA ET AU COMMONWEALTH DE PORTO RICO. POUR COUVERTURE DE GARANTIE DANS LES AUTRES PAYS, CONTACTEZ VOTRE IMPORTATEUR OU REVENDEUR BOSCH LOCAL.

GARANTIA LIMITADA PARA HERRAMIENTAS MECANICAS PORTATILES Y PARA TABLERO DE BANCO BOSCH

Robert Bosch Tool Corporation ("el Vendedor") garantiza, únicamente al comprador original, que todas las herramientas mecánicas portátiles y para tablero de banco BOSCH estarán libres de defectos de material o de fabricación durante un periodo de un año a partir de la fecha de compra. LA ÚNICA OBLIGACION DEL VENDEDOR Y EL RECURSO EXCLUSIVO QUE USTED TIENE bajo esta Garantía Limitada y, hasta donde la ley lo permita, bajo cualquier garantía o condición implícita por ley, consistirá en la reparación o sustitución sin costo de las piezas que presenten defectos de material o de fabricación y que no hayan sido utilizadas incorrectamente, manejadas descuidadamente o reparadas incorrectamente por personas que no sean el Vendedor o una Estación de servicio autorizada. Para efectuar una reclamación bajo esta Garantía Limitada, usted debe devolver el producto, que consiste en la herramienta mecánica portátil o para tablero de banco completa, con el transporte pagado, a cualquier Centro de servicio de fábrica o Estación de servicio autorizada. Para Estaciones de servicio autorizadas de herramientas mecánicas BOSCH, por favor, consulte el directorio telefónico.

ESTA GARANTIA LIMITADA NO SE APLICA A ARTICULOS ACCESORIOS TALES COMO HOJAS PARA SIERRAS CIRCULARES, BROCAS PARA TALADROS, BROCAS PARA FRESADORAS, HOJAS PARA SIERRAS DE VAIVEN, CORREAS PARA LIJAR, RUEDAS DE AMOLAR Y OTROS ARTICULOS RELACIONADOS.

TODAS LAS GARANTIAS IMPLICITAS TENDRAN UNA DURACION LIMITADA A UN AÑO A PARTIR DE LA FECHA DE COMPRA. ALGUNOS ESTADOS DE LOS EE.UU. Y ALGUNAS PROVINCIAS CANADIENSES NO PERMITEN LIMITACIONES EN CUANTO A LA DURACION DE UNA GARANTIA IMPLICITA, POR LO QUE ES POSIBLE QUE LA LIMITACION ANTERIOR NO SEA APLICABLE EN EL CASO DE USTED.

EL VENDEDOR NO SERA RESPONSABLE EN NINGUN CASO DE NINGUN DAÑO INCIDENTAL O EMERGENTE (INCLUYENDO PERO NO LIMITADO A RESPONSABILIDAD POR PERDIDA DE BENEFICIOS) QUE SE PRODUZCA COMO CONSECUENCIA DE LA VENTA O UTILIZACION DE ESTE PRODUCTO. ALGUNOS ESTADOS DE LOS EE.UU. Y ALGUNAS PROVINCIAS CANADIENSES NO PERMITEN LA EXCLUSION O LIMITACION DE LOS DAÑOS INCIDENTALES O EMERGENTES, POR LO QUE ES POSIBLE QUE LA LIMITACION O EXCLUSION ANTERIOR NO SEA APLICABLE EN EL CASO DE USTED.

ESTA GARANTIA LIMITADA LE CONFIERE A USTED DERECHOS LEGALES ESPECIFICOS Y ES POSIBLE QUE USTED TAMBIEN TENGA OTROS DERECHOS QUE VARIAN DE ESTADO A ESTADO EN LOS EE.UU., DE PROVINCIA A PROVINCIA EN CANADA Y DE UN PAIS A OTRO.

ESTA GARANTIA LIMITADA SE APLICA SOLAMENTE A HERRAMIENTAS ELECTRICAS PORTATILES Y PARA TABLERO DE BANCO VENDIDAS EN LOS ESTADOS UNIDOS DE AMERICA, CANADA Y EL ESTADO LIBRE ASOCIADO DE PUERTO RICO. PARA COBERTURA DE GARANTIA EN OTROS PAISES, PONGASE EN CONTACTO CON SU DISTRIBUIDOR O IMPORTADOR LOCAL DE BOSCH.

© Robert Bosch Tool Corporation 1800 W. Central Road Mt. Prospect, IL 60056-2230

Exportado por: Robert Bosch Tool Corporation Mt. Prospect, IL 60056-2230, E.U.A.

Importado en México por: Robert Bosch, S.A. de C.V., Calle

Robert Bosch No. 405, Zona Industrial, Toluca, Edo. de

México, C.P. 50070, Tel. (722) 2792300



2 6 1 0 0 2 7 6 0 8

2610027608 06/17