



Perdido Outdoor LED Wall Lantern RFSW6300L30RSPC (1001 137 6142) USA

Features

This Outdoor LED Wall Sconce produces 390 lumens using only 5.2 watts of electrical power. It includes a photocell for dusk-to-dawn operation. The Lantern mounts to a standard electrical box. The LEDs are powered by a Class II Low-voltage LED driver.

Construction

The wall plate, arm and diffuser housing are all made from die-cast aluminum with a durable powder coat. Power supply connections must be made in junction box (by others).

Finish

Rustic bronze painted finish.

Diffuser

Clear seeded glass diffuser.

Electrical

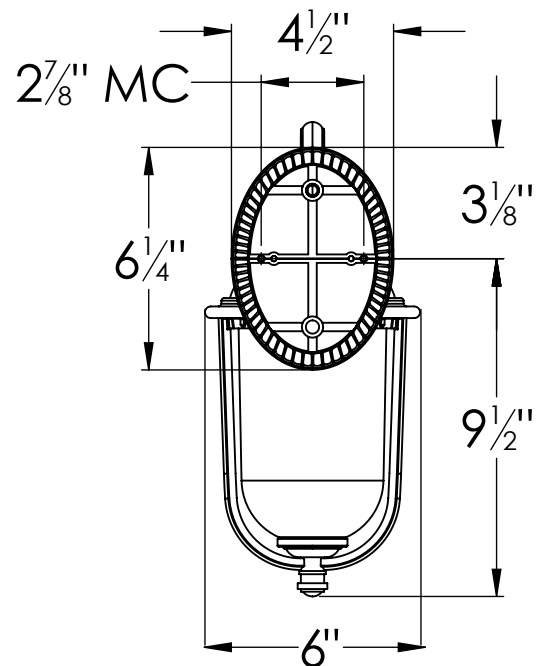
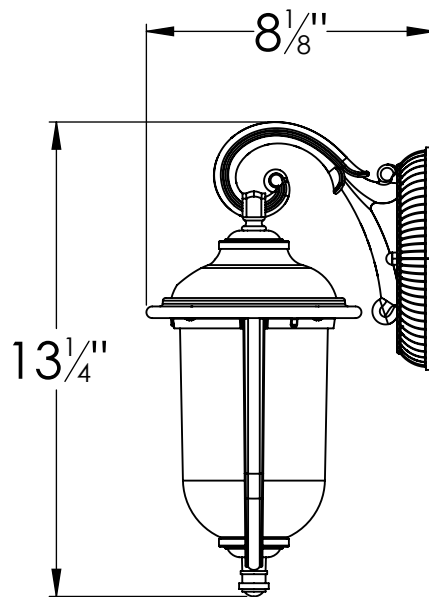
This unit is direct wired with a single 350mA low voltage electronic LED driver. The constant current LED driver is rated 120 VAC/60 Hz. Operating range -40° C to +40° C.

Lamping

Fixture uses a 5.2 watt module producing 390 lumens, 3000K (CCT). Rated for 35,000 hours.

Certification

cETLus listed for wet locations.
ENERGY STAR® qualified.



Model No.	Finish	Lamps		Dimensions		
		Qty	Type	H	W	D
120V RFSW6300L30RSPC	Rustic Bronze	1	LED Array	13-1/4"	6"	8-1/8"