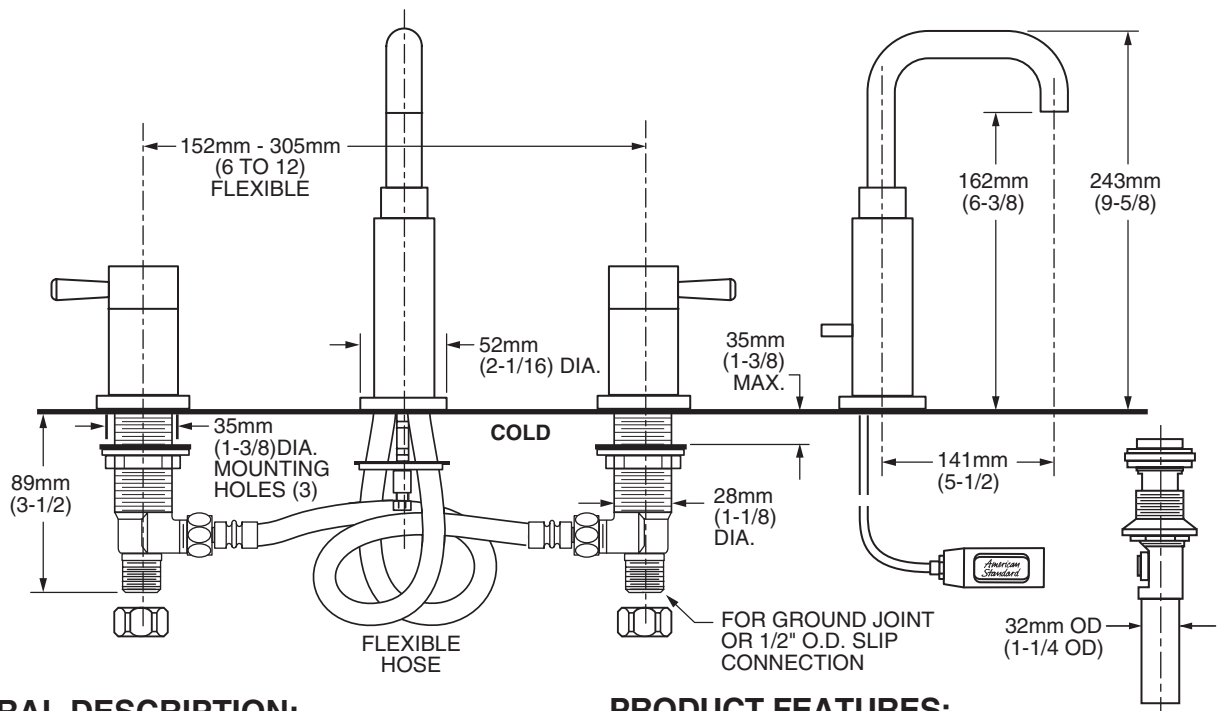




**MODEL NUMBER:**

- ☐ **2064.801 Widespread Lavatory**  
Metal Speed Connect™ Pop-up drain.  
Metal Lever handles.



**GENERAL DESCRIPTION:**

Cast brass valve bodies with flexible hose connections for 6" to 12" (152mm to 305mm) installations. 1/4 turn washerless ceramic disc valve cartridges. Brass spout. One-half inch male inlet shanks with brass coupling nuts. 20 inch (500mm) long flexible stainless steel drain cable is pre-assembled to spout. Metal Speed Connect™ drain body with 1-1/4 inch (32mm) tail piece. 2.2 gpm/8.3L/min. maximum flow rate.

**PRODUCT FEATURES:**

**Brass Construction:** Durable. Ideal for prolonged contact with water. Provides the finest surface for application of colors and finishes.

**Ceramic Disc Valve Cartridges:** Assures a lifetime of drip-free performance.

**Low Lead:** Meets NSF Standard 61/Section 9 & Prop 65 lead requirements.

**Exclusive Speed Connect™ Metal Drain:**

- Fewer parts. Installs in less time.
- No adjustments required - seals the first time, every time.
- Flexible stainless steel cable - installs effortlessly in tight spaces.

**Choice of Finishes:** Available in Polished Chrome or Satin Nickel (PVD).

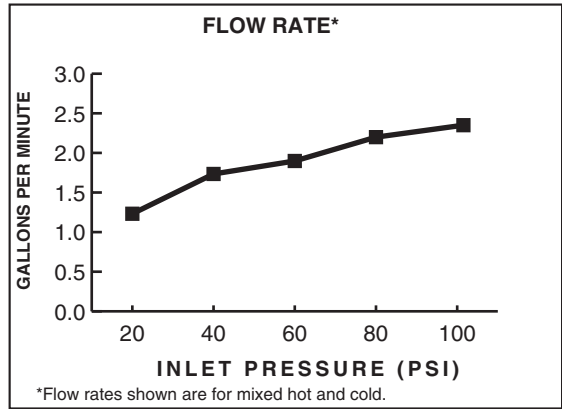
**SUGGESTED SPECIFICATION:**

Two handle widespread lavatory faucet shall feature cast brass valve bodies with flexible hose connections for 6" to 12" installations. Shall also feature 1/4 turn washerless ceramic disc valve cartridges. Shall also feature a metal drain body with stainless steel cable actuation. Fitting shall be American Standard Model #2064.801. \_\_\_\_.


**CODES AND STANDARDS**

These products meet or exceed the following codes and standards:

- ANSI A117.1**
- ASME A112.18.1**
- CSA B 125**
- NSF 61/Section 9**



Product Number	Description	Finish Options*	
		Polished Chrome	Satin Nickel (PVD)
		002	295
2064.801	Lavatory faucet with Metal Speed Connect™ Pop-up drain. Metal Lever handles.		

 Meets the American Disabilities Act Guidelines and **ANSI A117.1** Requirements for the physically challenged.

**\*EverClean™ Finish:**

- Offered on Polished Chrome (002) and Satin Nickel (295).
- One wipe effortlessly removes spots.
- Eliminates the need for cleaners and scrubbing.