

Highlights

- Soap/Lotion Dispenser
- MatchMakers® Accessories Available

MatchMakers®

Accessory

Single Hole Installation

Code Compliance

Price Pfister products are designed and manufactured in compliance with the following standards and codes:

- IAPMO certified
- ASME A112.18.1
- CSA B125 certified
- ANSI A117.1 (Lever handles only)

Finishes	KSD-LCCC	KSD-LCSS	KSD-LCWW
Polished Chrome	X		
White			X
Stainless Steel		X	

Features	KSD-LCCC	KSD-LCSS	KSD-LCWW
Pforever Warranty®	X	X	X



- KSD-LCCC
- KSD-LCSS
- KSD-LCWW

For additional information, please contact your Price Pfister representative, or visit our website at www.pricepfister.com.

Project: _____

Contractor: _____

SS-KSD-02

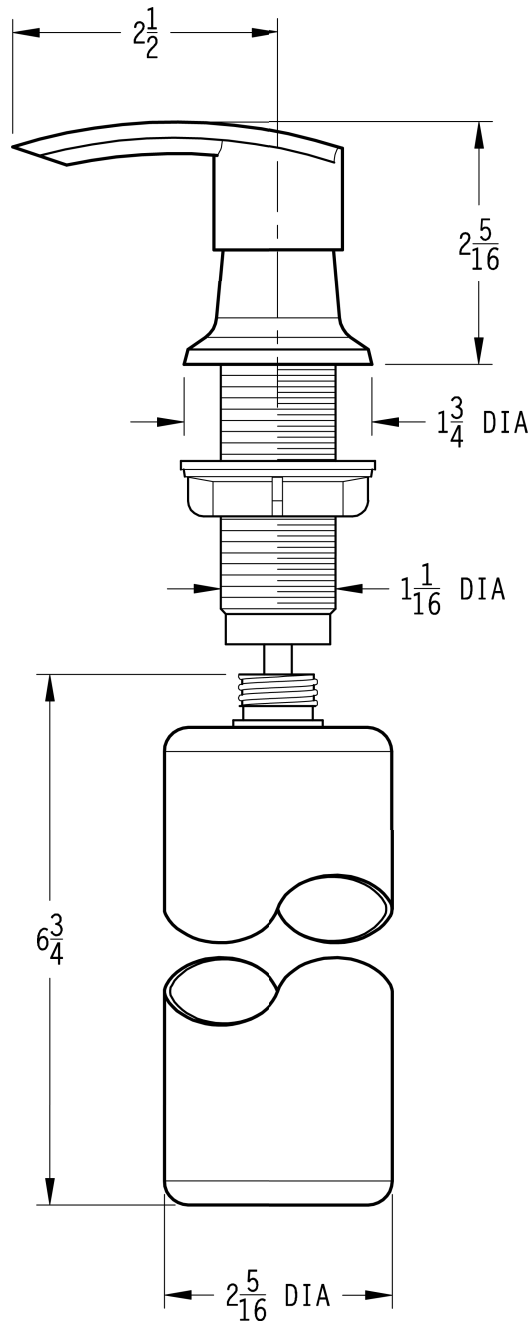
1-800-PFAUCET www.pricepfister.com
 19701 DaVinci, Lake Forest, CA 92610
 02/5/03

Price Pfister®
 Pfreshest Ideas in Pfaucets.

INSTALLATION DIMENSIONS

MatchMakers[®]
Accessory

Critical Dimensions:	
Maximum Deck Thickness	1 13/16



Dimensions are in Inches

1-800-PFAUCET www.pricepfister.com
19701 DaVinci, Lake Forest, CA 92610
01/8/03

Price Pfister[®]
Pf Pfreshet Ideas in Pf faucets.

SS-KSD-02