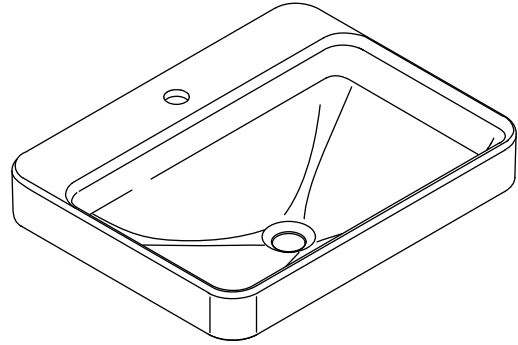


### Features

- Vitreous china
- Above-the-counter
- With overflow
- Single-hole or 8" (203 mm) centers
- 23" (584 mm) x 18-1/8" (460 mm)

### VESSELS BATHROOM SINK K-2660



### Codes/Standards Applicable

Specified model meets or exceeds the following:

- ASME A112.19.2/CSA B45.1

### Colors/Finishes

- 0: White
- Other: Refer to Price Book for additional colors/finishes

### Specified Model

Model	Description	Colors/Finishes	
K-2660-1	Vessels bathroom sink with single faucet hole	<input type="checkbox"/> 0	<input type="checkbox"/> Other ____
K-2660-8	Vessels bathroom sink with 8" (203 mm) centers	<input type="checkbox"/> 0	<input type="checkbox"/> Other ____

### Product Specification

The vessel bathroom sink shall be made of vitreous china. Bathroom sink shall be 23" (584 mm) in length and 18-1/8" (460 mm) in width and mounted above-the-counter. Bathroom sink shall have overflow. Bathroom sink shall be available with single-hole or with 8" (203 mm) centers. Bathroom sink shall be Kohler Model K-2660-\_\_\_\_-\_\_\_\_.

## Technical Information

Fixture*:	
Basin area	22" (559 mm) x 13-1/4" (337 mm)
Water depth	3-3/4" (95 mm)
Drain hole	Ø 1-3/4" (44 mm)
* Approximate measurements for comparison only.	

Holes	<b>K-2660-1</b>	<b>K-2660-8</b>
Spout	Ø 1-3/8" (35 mm)	Ø 1-3/8" (35 mm)
Faucet		Ø 1-3/8" (35 mm)

Included components:	
Cut-out template	1144641-7

## Installation Notes

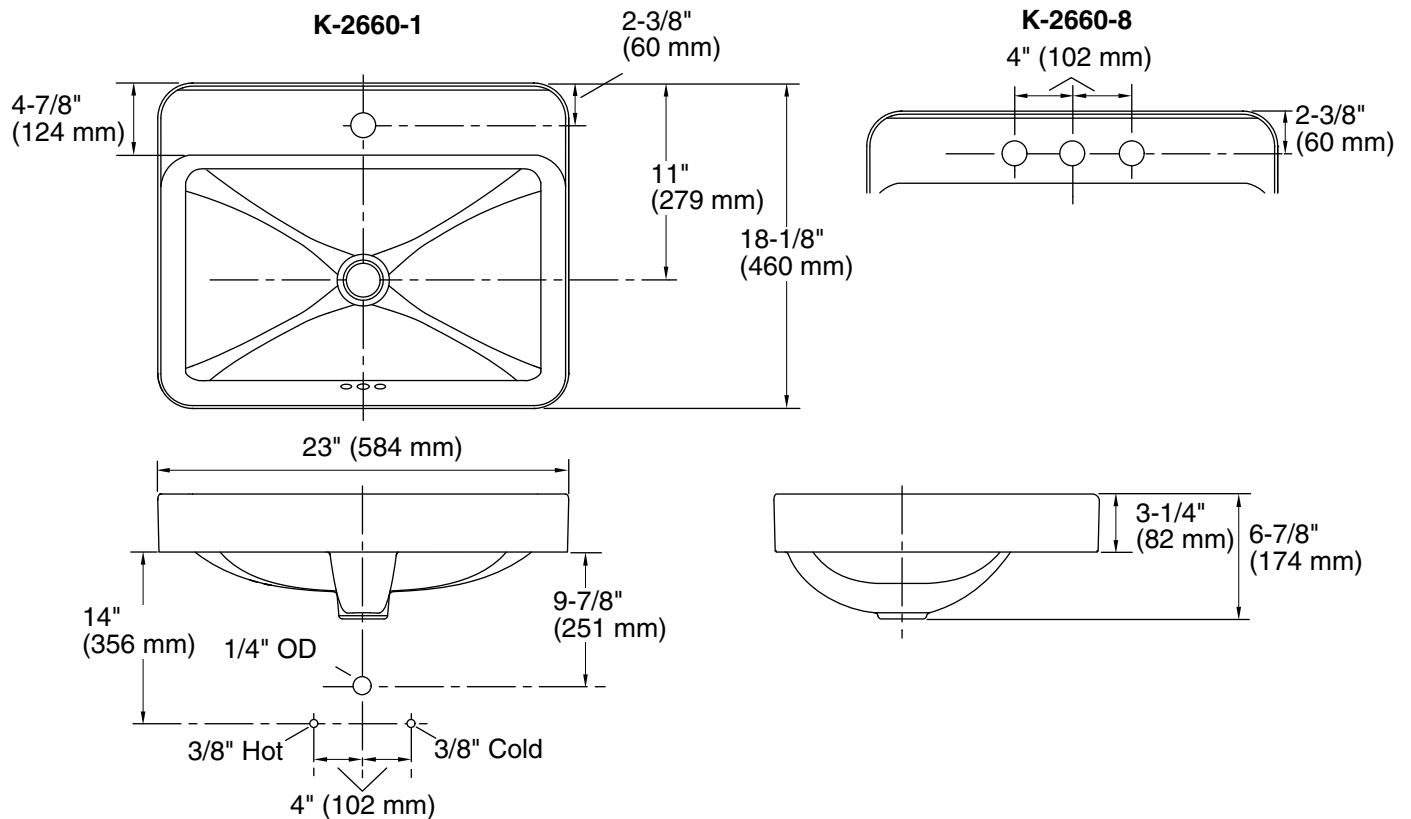
Install this product according to the installation guide.

Choose a faucet that will provide adequate clearance and will direct the water stream to the center of the bathroom sink.

Spout must be mounted high enough to clear 3-1/4" (82 mm) rim height and provide a 1" (25 mm) air gap per ASME A112.1.2.

**NOTICE:** Countertop manufacturer or cutter must use the cut-out template provided with the product or a current one provided by Kohler Co. (call 1-800-4KOHLER). Kohler Co. is not responsible for cut-out errors when incorrect cut-out template is used.

Product rests on countertop. Consider height when designing installation.



## Product Diagram