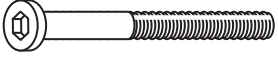

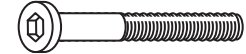


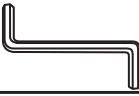





Examine all packaging material for small parts that may have come loose during shipment. Periodic checks are recommended to insure that all components are in proper position, tight and free from damage. Keep this assembly instruction for future reference. Adult assembly is required. The product of Hillsdale Furniture, LLC is designed for residential use only. Customer Service Phone Number: 502-562-0000

HARDWARE LIST

- A (16) Long Bolt 6.3x80
- B (16) Half Round Nut
- C (4) Short Bolt 6.3x35
- D (8) Short Screw Bolt 7x80
- E (62) Screw 4x35
- F (1) Allen Key
- G (16) Screw 4x25
- H (16) Long Screw Bolt 7x100
- I (24) Wood Connect 010x40

PART	QTY	HARDWARE	PART	QTY	HARDWARE
A	16		B	16	
C	4		D	8	
E	62		F	1	
G	16		H	16	
I	24				

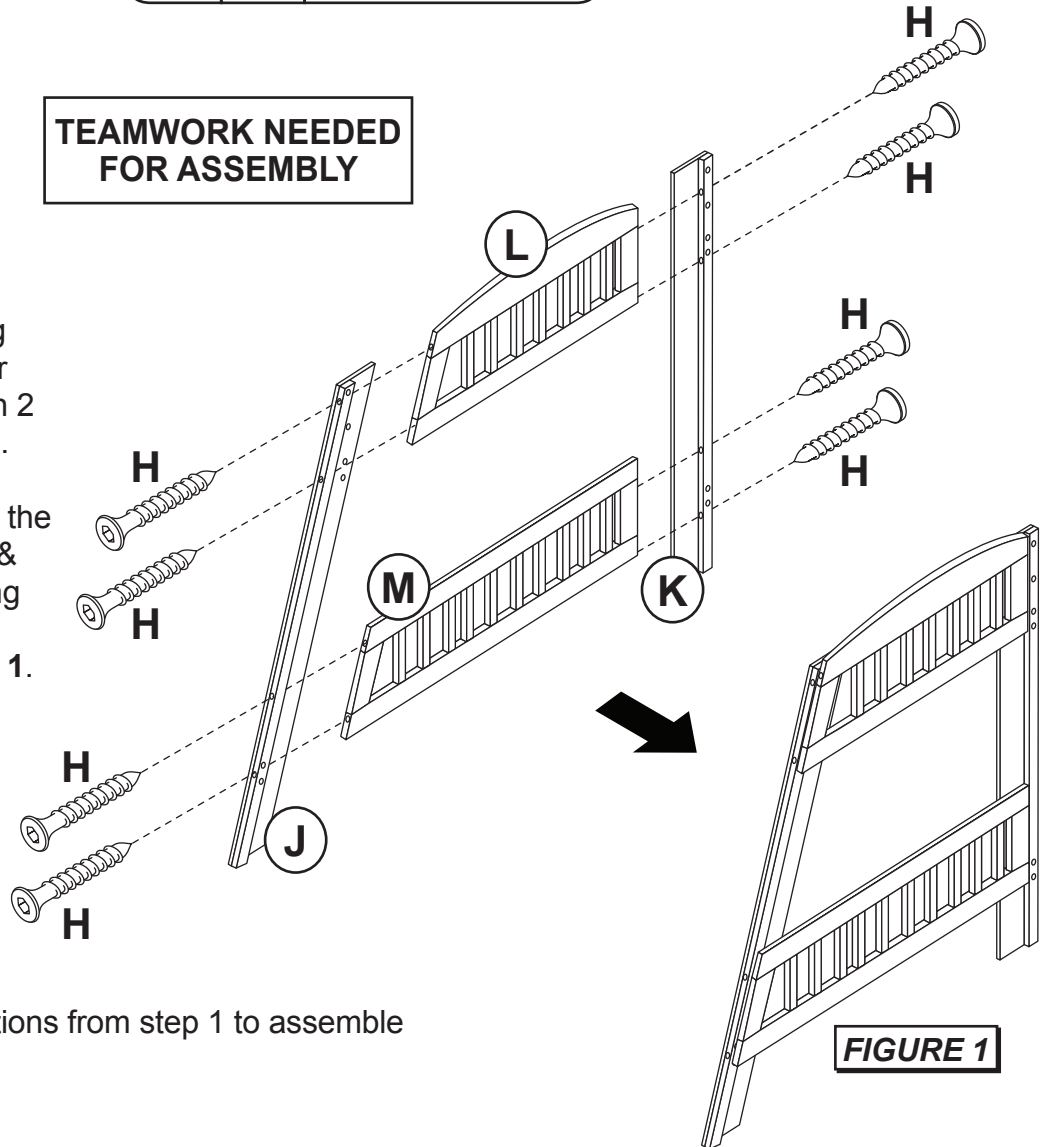
PIECES LIST

- J (2) Front Post
- K (2) Back Post
- L (2) Upper Panel
- M (2) Lower Panel
- N (1) Upper Front Rail
- O (2) Back Rail
- P (4) Guard Rail
- Q (1) Upper Slats
- R (1) Lower Slats
- S (1) Ladder
- T (2) Guard Rail Supports
- U (1) Lower Front Rail
- V (4) Side DRW Panels
- W (2) Back DRW Panels
- X (2) Bottom DRW Panels
- Y (2) Front DRW Panels

TEAMWORK NEEDED FOR ASSEMBLY

STEP 1

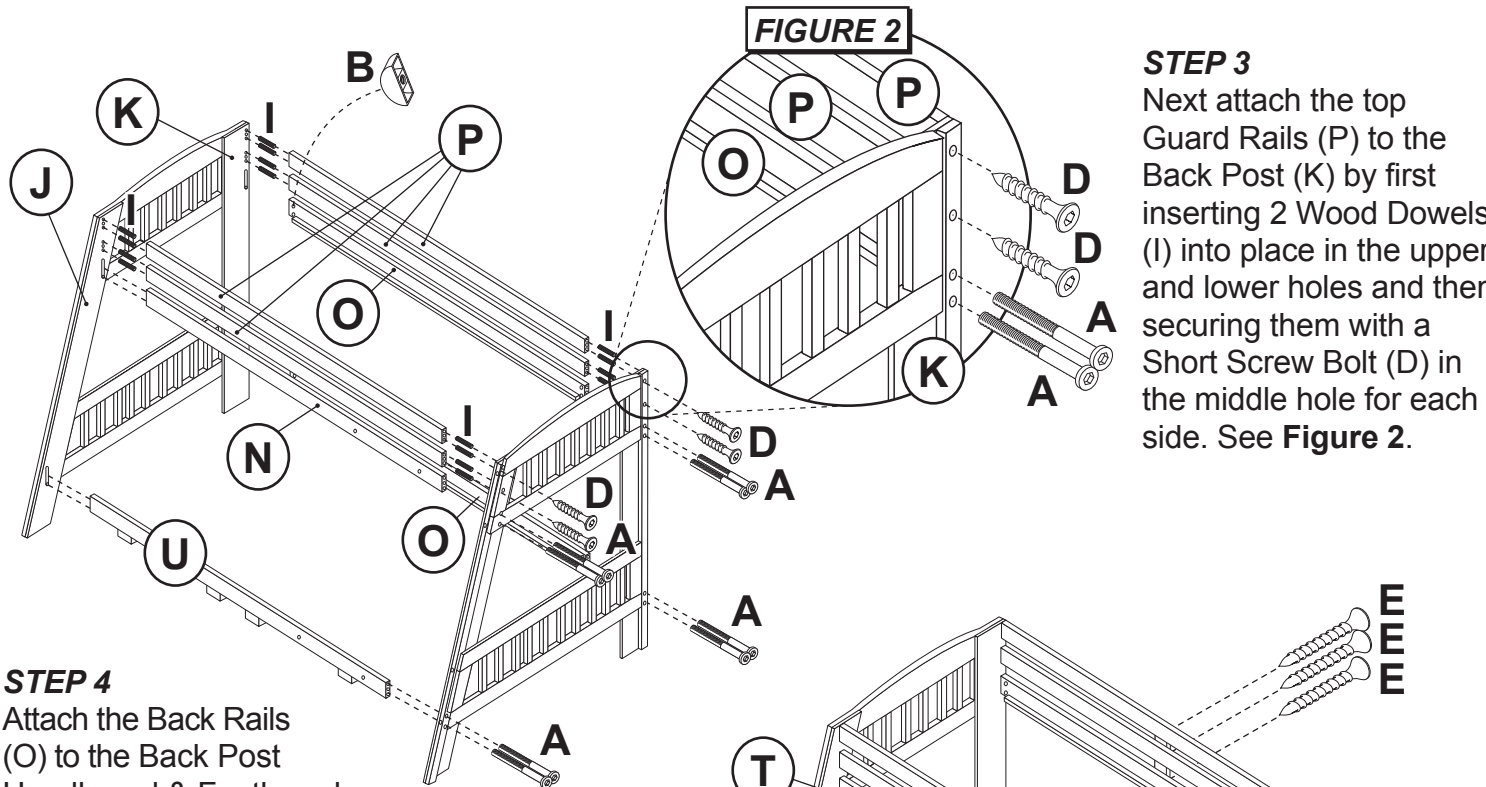
Begin assembly by connecting the Back Post (K) to the Upper and Lower Panels (L & M) with 2 Long Screw Bolts (H) for each. Then attach the Front Post Headboard & Footboard (J) to the Upper and Lower Headboard & Footboards (L & M) with 2 Long Screw Bolts (H) for each. Finished piece seen in **Figure 1**.



STEP 2

Repeat the instructions from step 1 to assemble the second side.

FIGURE 1



STEP 3
Next attach the top Guard Rails (P) to the Back Post (K) by first inserting 2 Wood Dowels (I) into place in the upper and lower holes and then securing them with a Short Screw Bolt (D) in the middle hole for each side. See **Figure 2**.

STEP 4
Attach the Back Rails (O) to the Back Post Headboard & Footboard (K) using 2 Long Bolts (A). See **Figure 2**.

STEP 5
Repeat steps 1-5 to secure the remaining panel to all the rails.

STEP 6
Attach the Upper Front Rail (N) and the Lower Front Rail (U) with 2 Long Bolts (A) on to the Front Post Footboard (J).

STEP 7
Attach the Top Guard Rails (P) to the Front Post (J) by inserting 2 Wood Dowels (I) into place in the upper and lower holes and then securing them with a Short Screw Bolt (D) in the middle hole for each side.

STEP 8
Attach the Guard Rail Supports (T) to the Rails with 3 Long Screws (E).

STEP 9
Attach the Ladder (S) to the Upper Front Rail (N) and Lower Front Rail (U) by using 2 Short Bolts (C). See **Figure 3**.

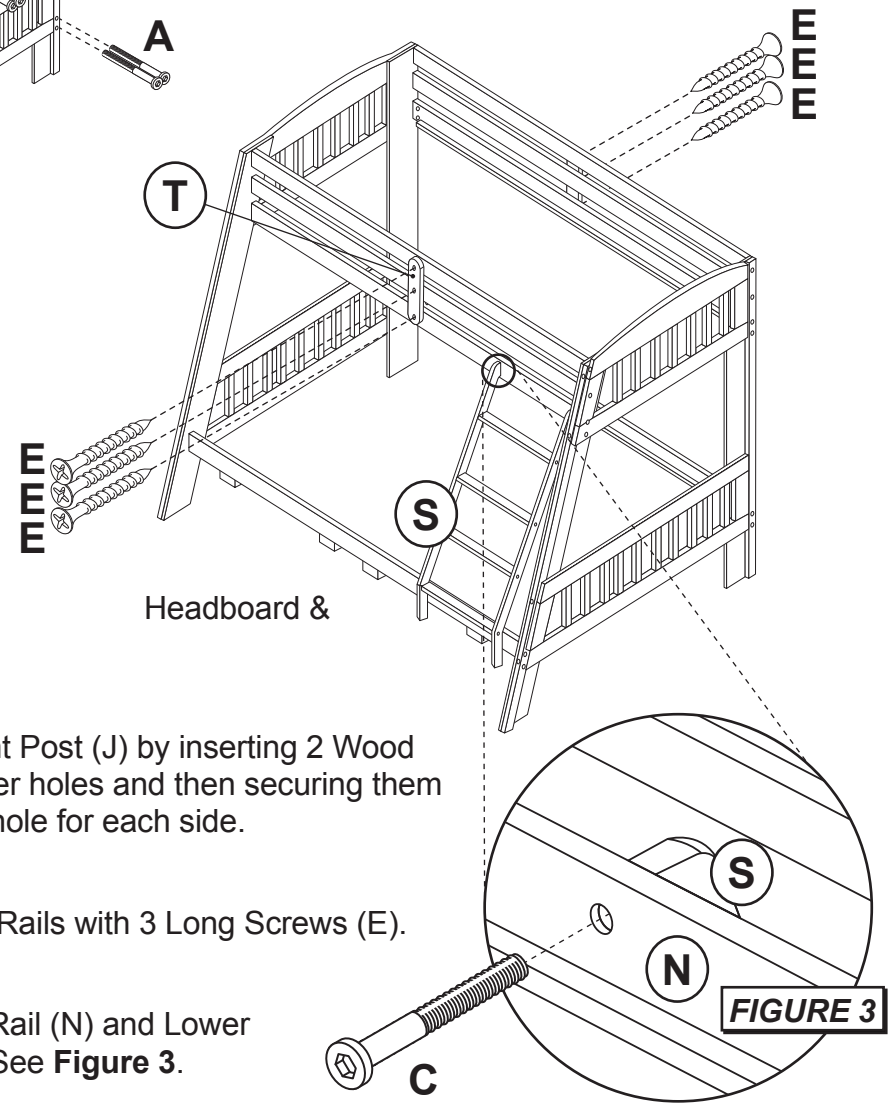
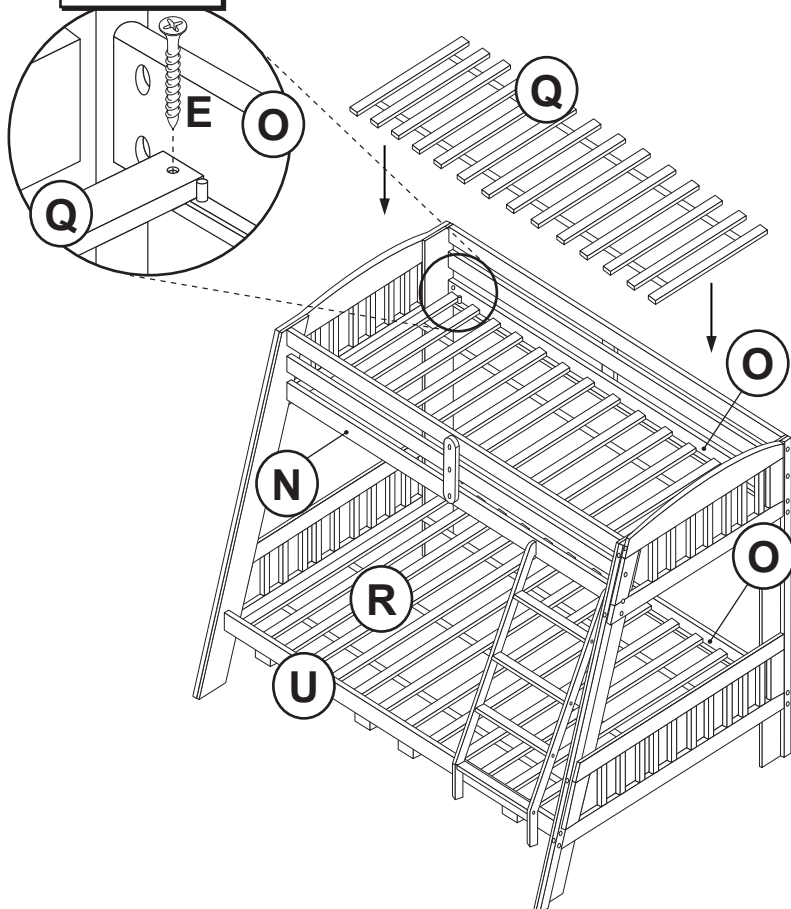


Figure 3 shown from the reverse side of drawing.

FIGURE 4



STEP 10

Next attach the Lower Slats (R) to the Bottom Back Rail (O) and the Lower Front Rail (U) by using 2 Long Screws (E) for each slat.

STEP 11

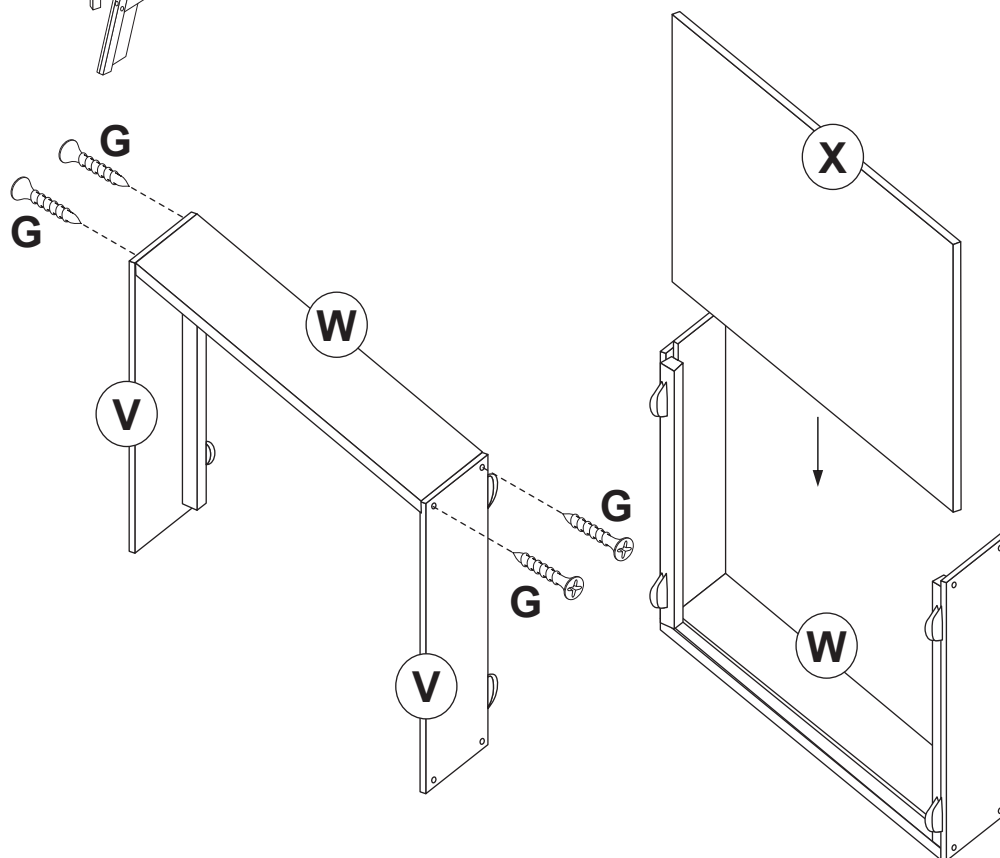
Attach the Upper Slats (Q) to the Upper Back Rail (O) and the Upper Front Rail (N) by using 2 Long Screws (E) for each slat. See **Figure 4**.

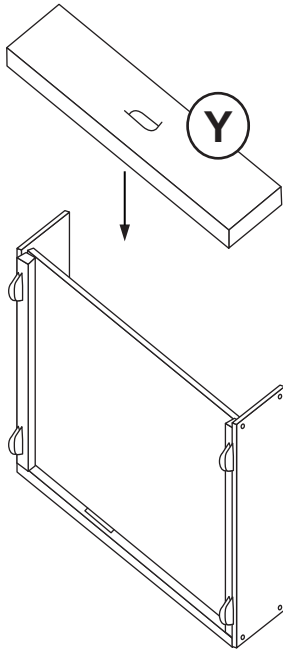
STEP 12

Attach the Side DRW Panels (V) to the Back DRW Panel (W) by using 2 Short Screws (G).

STEP 13

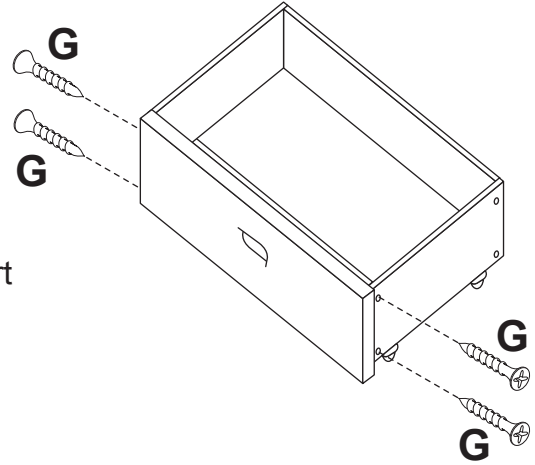
Attach the Bottom DRW Panel (X) to the drawer assembly by sliding it into place until it sits firmly in the groove on the inside of the Back DRW Panel (W).





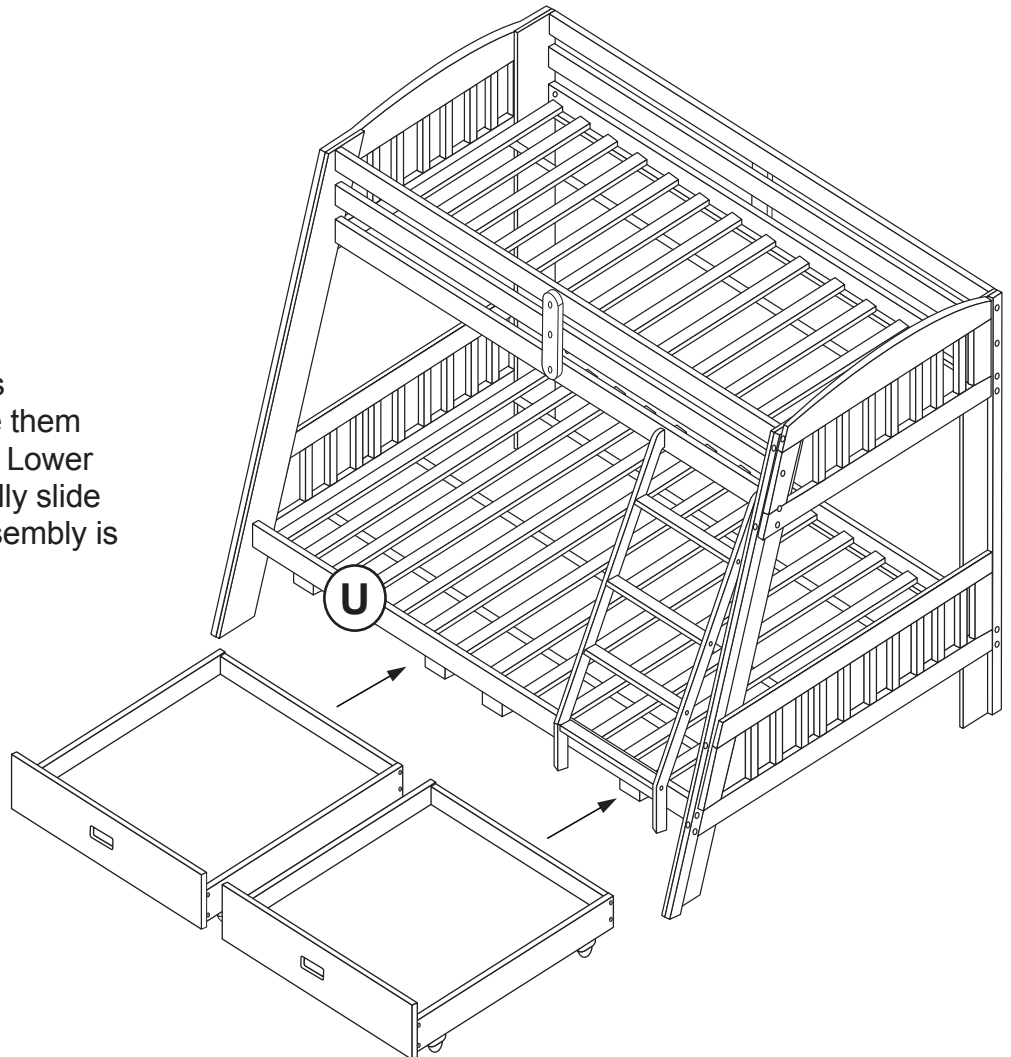
STEP 14

Next place the Front DRW Panels onto the assembled drawers and secure with 2 Short Screws (G) on either side.



STEP 15

Finally place the Drawers underneath the bed. Line them up with the blocks on the Lower Front Rail (U) and carefully slide them into place. The assembly is now complete.



Keep these instructions for future reference.



IMPORTANT



- *To help prevent serious or fatal injuries from entrapment or falls:*
- Follow the information on the warnings appearing on the upper bunk end structure and on the carton. Do not remove warning label from bed.
- Always use the recommended size mattress or mattress support, or both, to help prevent the likelihood of entrapment or falls.
- Use only mattress which is 75 inches long and 39 inches wide on upper bunk; And 75 inches long and 54 inches wide on lower bunk. Ensure thickness of mattress and foundation combined does not exceed 6 inches and that mattress surface is at least 5 inches (127 mm) below the upper edge of guardrails.
- Do not allow children under 6 years of age to use the upper bunk.
- Prohibit more than one person on the upper bunk at all times.
- Periodically check and ensure that the guardrails, ladder, and other components are in their proper position, free from damage, and that all connectors are tight.
- Do not allow horseplay on or under the bed and prohibit jumping on the bed.
- Always use the ladder for entering and leaving the upper bunk.
- Do not use substitute parts. Contact the manufacturer or dealer for replacement parts.
- Use of a night light may provide added safety precaution for a child using the upper bunk.
- Always use guardrails on both sides of the upper bunk. If the bunk bed will be placed next to the wall, the guardrail that runs the full length of the bed should be placed against the wall to prevent entrapment between the bed and wall.
- The use of water or sleep flotation mattresses is prohibited.
- **STRANGULATION HAZARD** - *Never attach or hang items to any part of the bunk bed that are not designed for use with the bed; for example: but not limited to - hooks, belts, and jump ropes.*