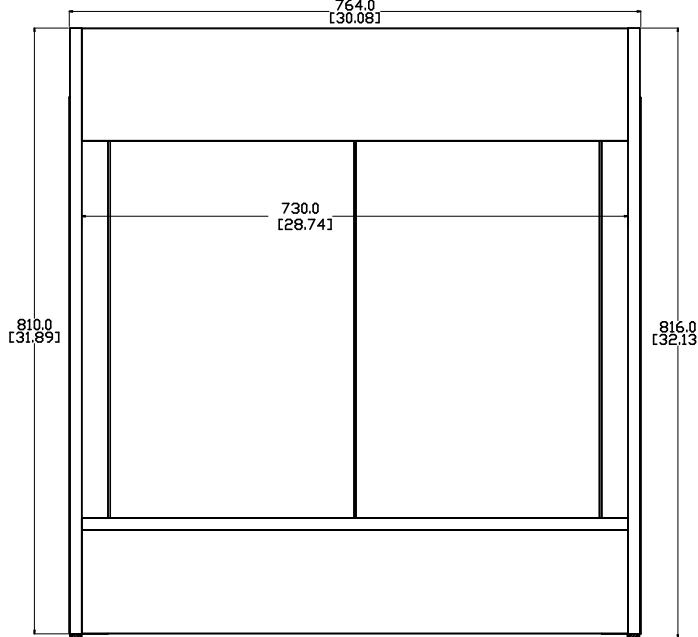


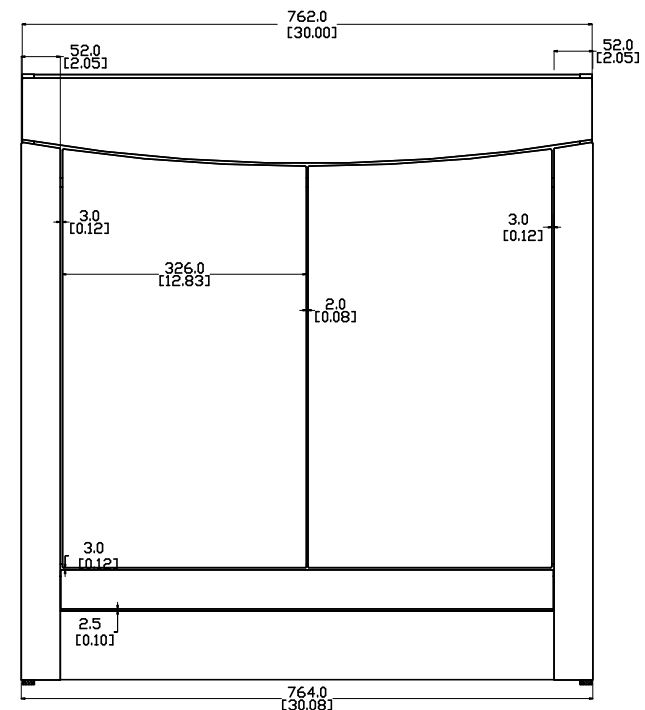
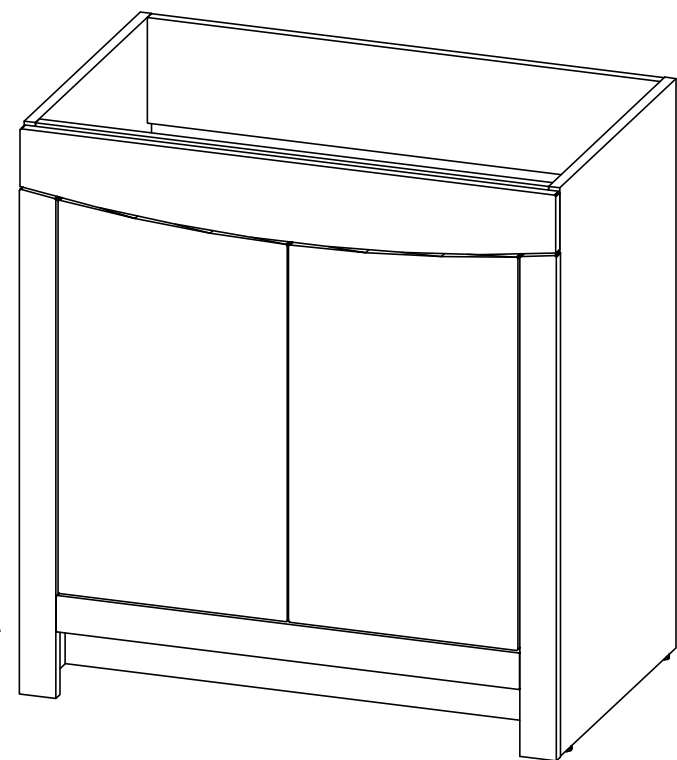
#	ITEM ID	DESCRIPTION
1	S1930P3-EK	Concept 6 30in Vanity w/Vanity Top & Mirror - Elm Sky

REV	ECO#	DESCRIPTION	APRV'D BY DATE
0		Released	DL. 12/17/18

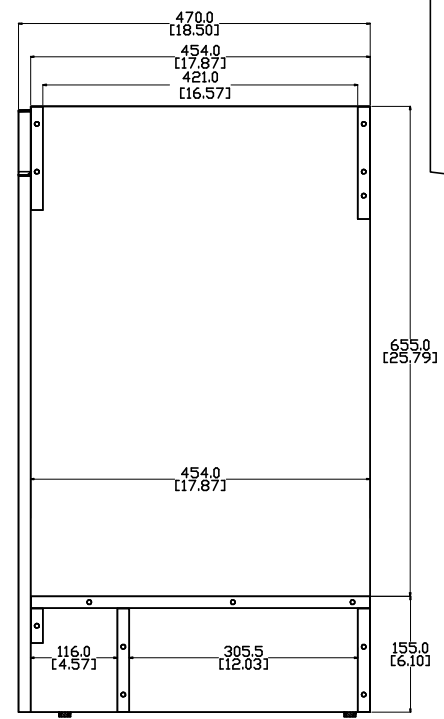


BACK VIEW

ISOMETRIC VIEW



FRONT VIEW



SIDE VIEW
(Without right side)

	Edge Banding	
(A) Surface	Cabinet Exterior	
(B) Surface	Cabinet Interior	
TAG	SIZE	QUANTITY
①	Ø 3 ↓ 3-9	#
②	Ø 5 ↓ 13	#
③	Ø 5 ↓ 30	#
④	Ø 6 ↓ 13	#
⑤	Ø 6 ↓ 19	#
⑥	Ø 7.5 ↓ THRU	#
⑦	Ø 8 ↓ 11.7	#
⑧	Ø 35 ↓ 11.7	#



PROPRIETARY AND CONFIDENTIAL
THE INFORMATION CONTAINED IN THIS DRAWING IS THE
SOLE PROPERTY OF WOODCRAFTERS HOME PRODUCTS
L.L.C. ANY REPRODUCTION IN PART OR AS A WHOLE
WITHOUT THE WRITTEN PERMISSION OF WOODCRAFTERS
HOME PRODUCTS L.L.C. IS PROHIBITED.

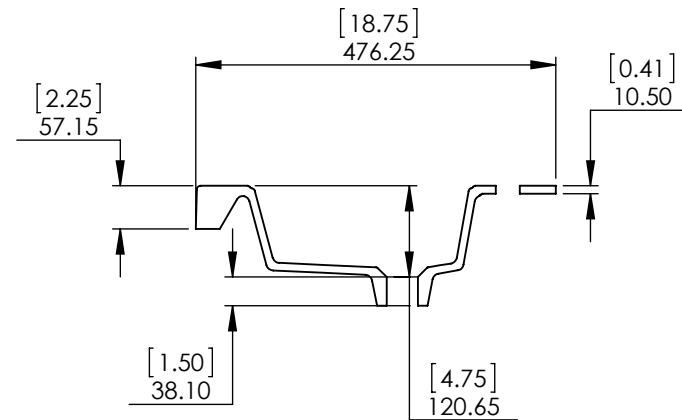
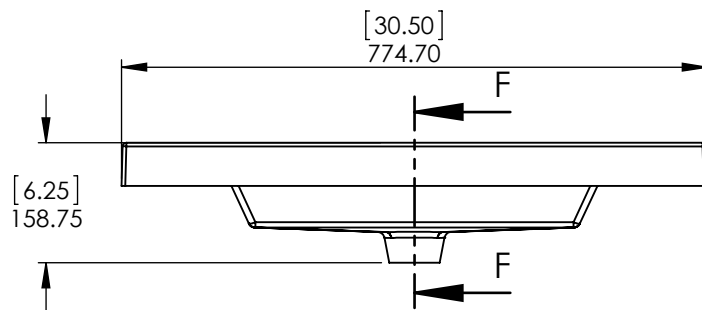
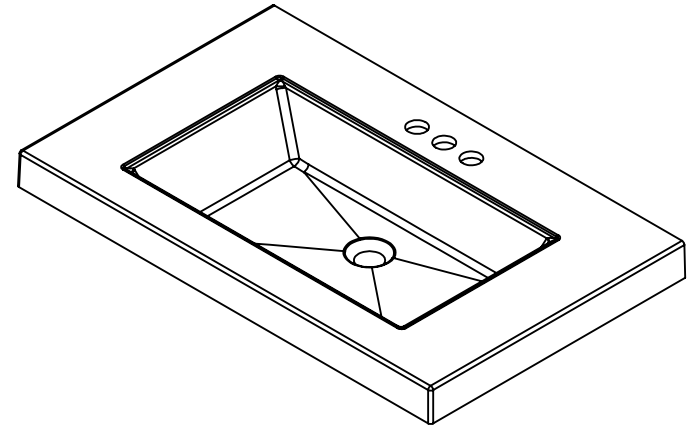
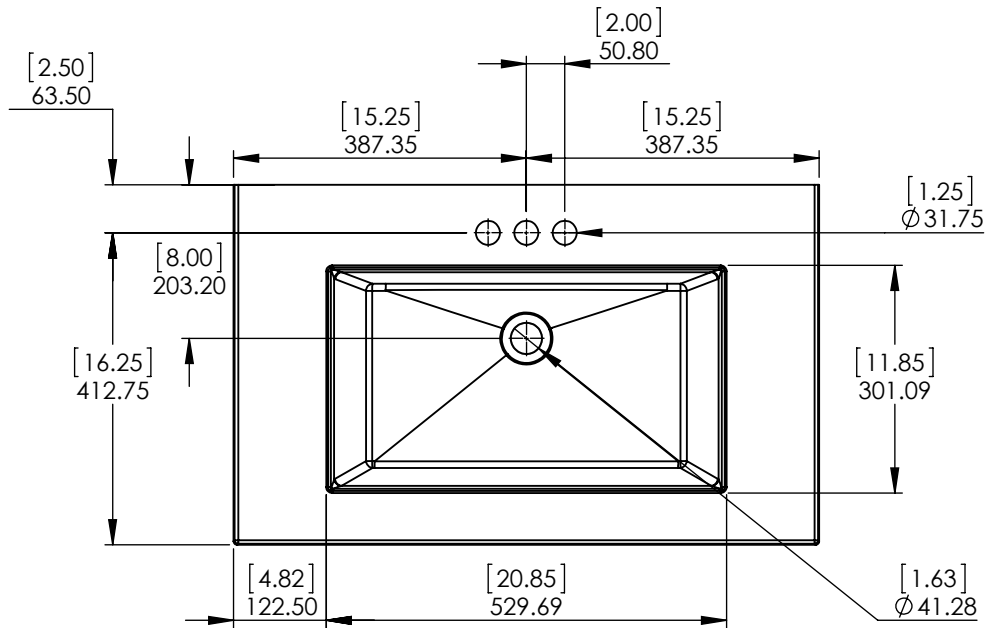
UNLESS OTHERWISE SPECIFIED
DIMENSIONS ARE IN mm
and[inches]
AND TOLERANCES ARE
+/- 1 [0.04]

DRAWN BY:	Dmar Leal
CHECKED BY:	Juan Sanchez
APPROVED BY:	Alexandra H.
DO NOT SCALE DRAWING	SCALE:

TITLE: Concept 6 30in Vanity w/Vanity Top & Mirror - Elm Sky			
SIZE: A	PART NO: PAGE	1 OF 1	REV: 0

ID	Description	Technology	Status
595471	Vtop Oslo 30.5x18.75 White 4in	Solid White	Approved for production

Rev #	Approved by	Change
0	R. Rubio	Released



NOTE: MAX. WARPAGE
TOLERANCE 1/8"

PROPRIETARY AND CONFIDENTIAL

THE INFORMATION CONTAINED IN THIS DRAWING IS THE SOLE PROPERTY OF WOODCRAFTERS. ANY REPRODUCTION IN PART OR AS A WHOLE WITHOUT THE WRITTEN PERMISSION OF WOODCRAFTERS IS PROHIBITED.

UNLESS OTHERWISE SPECIFIED

DIMENSIONS ARE IN MM. AND (INCHES)

TOLERANCES ARE
+0.125 [3.175] -0.125 [-3.175]

SCALE:1:10

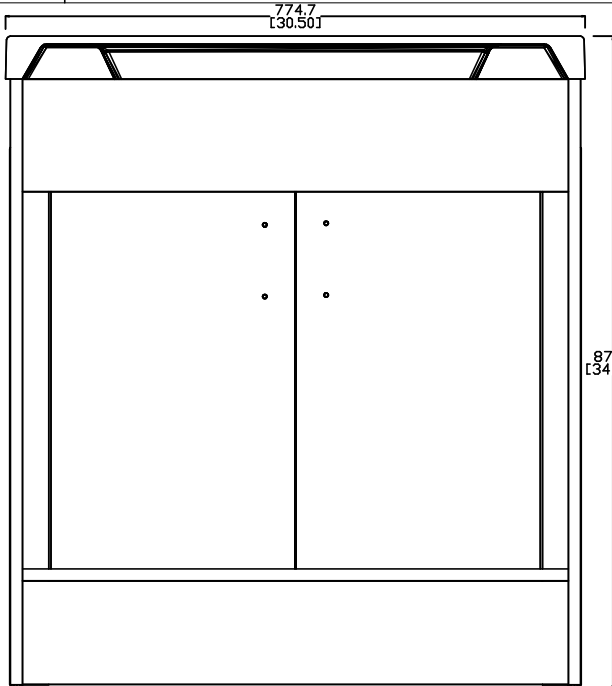
	NAME	DATE
DRAWN	J. Martinez	7/08/16
CHECKED	E. Sandoval	7/08/16
ENG APPR.	R. Rubio	7/08/16
MFG APPR.	C. Leal	7/08/16



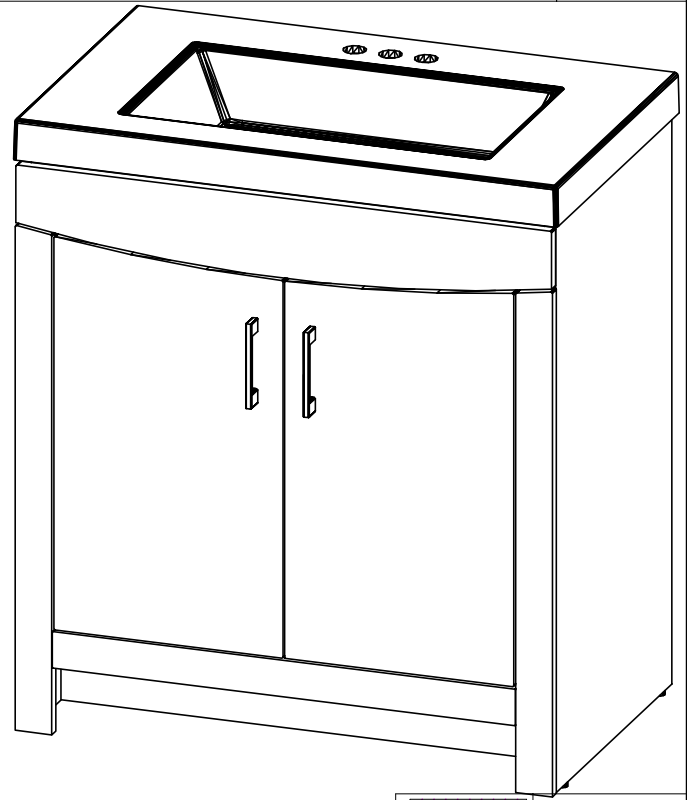
SIZE	DWG. NO.	SHEET 1 OF 1
A	Vtop Oslo 30.5x18.75 4in	REV: 0

#	ITEM ID	DESCRIPTION
1	S1930P3-EK	Concept 6 30in Vanity w/Vanity Top & Mirror - Elm Sky

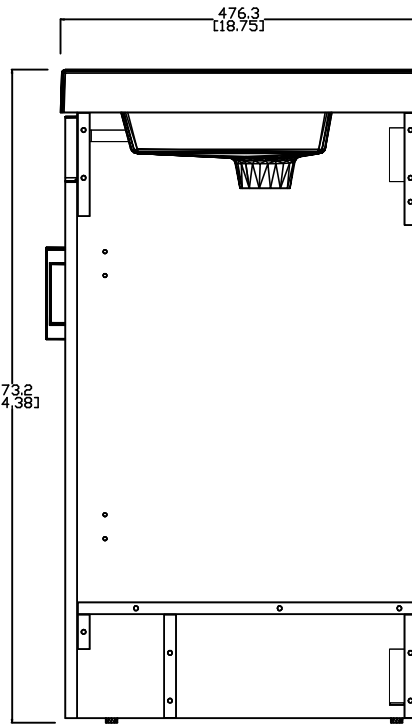
REV	ECO#	DESCRIPTION	APRV'D BY DATE
0		Released	D.L. 12/17/18



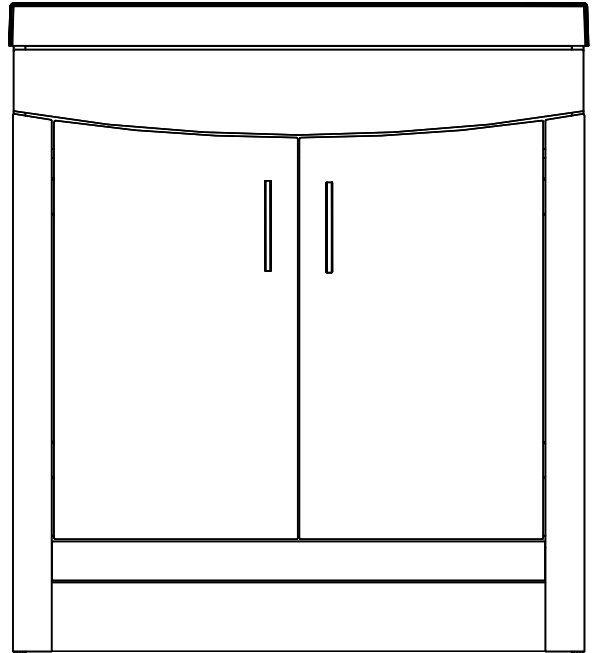
BACK VIEW



ISOMETRIC VIEW



SIDE VIEW
(Without right side)



FRONT VIEW

	Edge Banding	
(A)	Surface Cabinet Exterior	
(B)	Surface Cabinet Interior	
TAG	SIZE	QUANTITY
①	∅ 3 ↓ 3-9	#
②	∅ 5 ↓ 13	#
③	∅ 5 ↓ 30	#
④	∅ 6 ↓ 13	#
⑤	∅ 6 ↓ 19	#
⑥	∅ 7.5 ↓ THRU	#
⑦	∅ 8 ↓ 11.7	#
⑧	∅ 35 ↓ 11.7	#

PROPRIETARY AND CONFIDENTIAL
THE INFORMATION CONTAINED IN THIS DRAWING IS THE
SOLE PROPERTY OF WOODCRAFTERS HOME PRODUCTS
L.L.C. ANY REPRODUCTION IN PART OR AS A WHOLE
WITHOUT THE WRITTEN PERMISSION OF WOODCRAFTERS
HOME PRODUCTS L.L.C. IS PROHIBITED.

UNLESS OTHERWISE SPECIFIED
DIMENSIONS ARE IN mm
and[inches]
AND TOLERANCES ARE
+/- 1 [0.04]

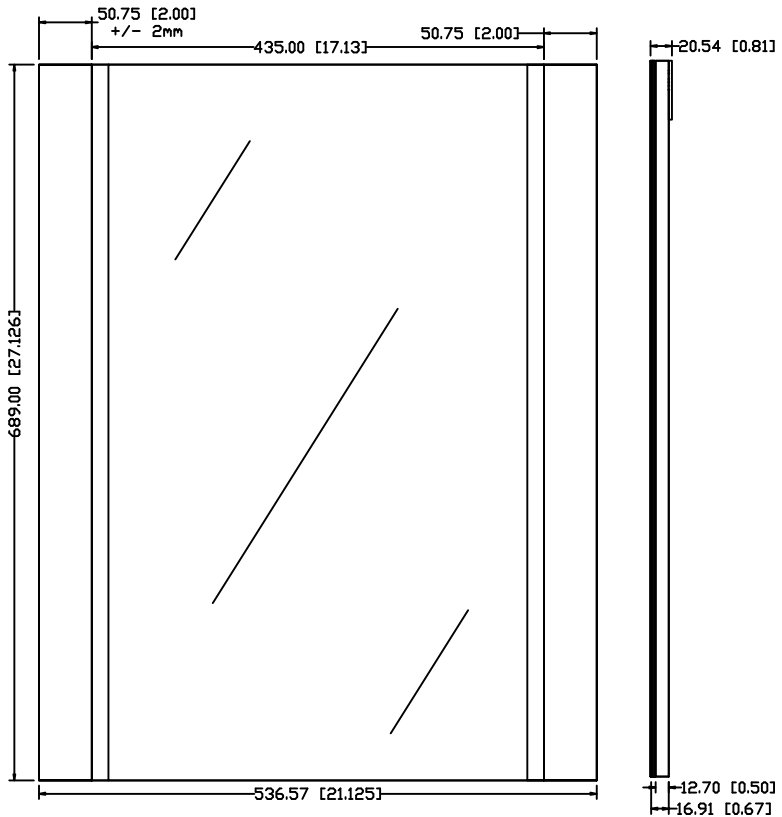
DRAWN BY:	Omar Leal
CHECKED BY:	Juan Sanchez
APPROVED BY:	Alexandra H.
DO NOT SCALE DRAWING	SCALE:

Wood Crafters

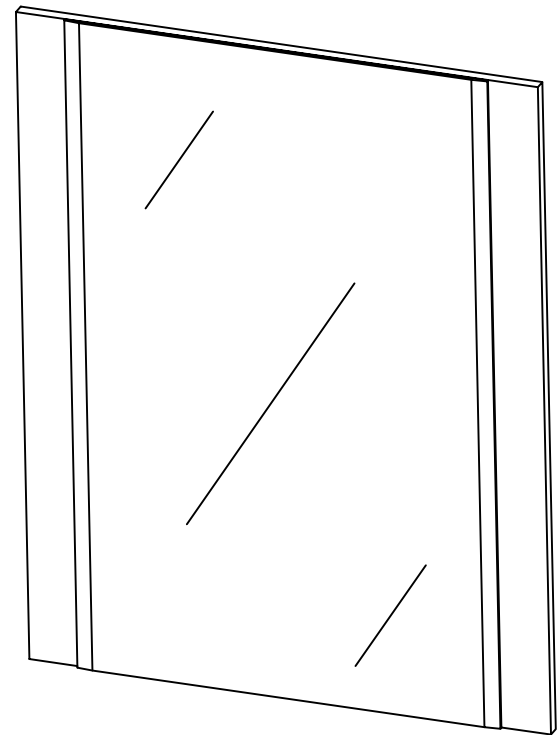
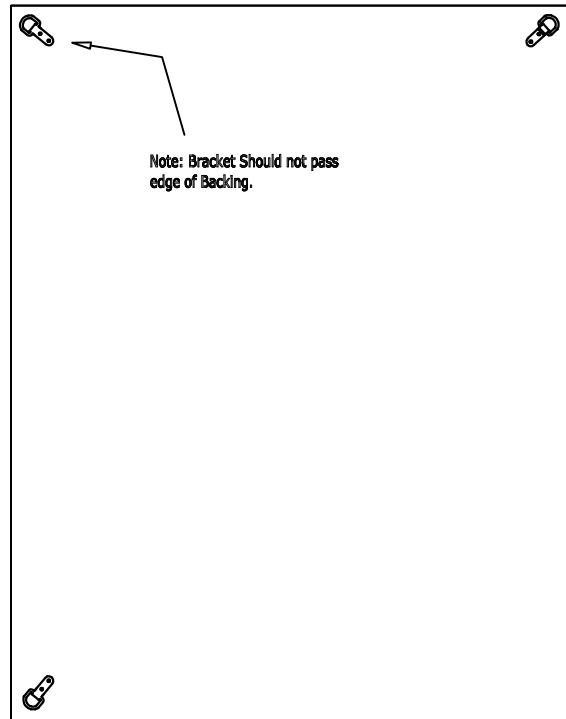
TITLE:			
Concept 6 30in Vanity w/Vanity Top & Mirror - Elm Sky			
SIZE	PART NO	PAGE	REV
A		1 OF 1	0

N.-	N.- Parte	Descripcion
1	294259	Mirror PB, 27.125 x 21.125 x .5in, SEK Int.

Front View



Back View



Isometric View



UNLESS OTHERWISE SPECIFIED DIMENSIONS ARE IN mm AND [inches] 1.5mm [.06]

Drawn:	C.R.H	Name:	Date:	TITLE: PB Wall Mirror	Rev 0
Checked:	J.S.	Approved:	A.H.		
Form: VH-FEN004		PAGE	1 OF 1		