

FLOOD LIGHT

SPEC SHEET



Catalog No. : PWRF152-PC-4K-BZ

Type : Flood Light

Project Name :

Location :

Qty :

Date :



Probrite's Architectural Series LED Outdoor Security Floodlight with Disk-to-Dawn photocell is packaged in a robust and stunningly designed die-cast aluminum housing featuring the latest high-performance LED chips providing 85% energy savings.

APPLICATIONS

The wide mounting flexibility makes this the ideal light for landscape lighting, building facade and signage, entry ways, garages, corners, building perimeters, architectural wall lighting, loading bays and general illumination.



PRODUCT PERFORMANCE AT A GLANCE

| SYSTEM WATTAGE | LED WATTAGE | LUMENS | LPW | CRI | REPLACES (MH) |
|----------------|-------------|----------|----------|-----|---------------|
| 152W | 148W | 18447 lm | 121 lm/w | ≥70 | 400W |

HOUSING

Single piece die cast aluminum housing, which also acts as a heat sink, designed to ensure high efficacy and abundant cooling by natural convection passive airflow to maximize LEDs and driver performance and life.

IP RATING & LISTINGS

LED light engine is weather proof rated IP66.

DLC, cULus, FCC Certified

OPTICS

Wide beam flood distribution. Optimized to target lumens evenly on target and provide superior lighting uniformity. LEDs and refractor are protected by a heat and impact resistant tempered glass lens.

MOUNTING

Integral die cast aluminum adjustable knuckle with 1/2" NPS male threads, made of a low copper-content aluminum alloy for resistance to corrosion. Has locking teeth and bolt to lock in aiming angle. Ships fully assembled, ready to install.

Mounts to most domed junction box cover plates with center hole or most standard landscape posts.

Can be mounted in upward or downward orientation.

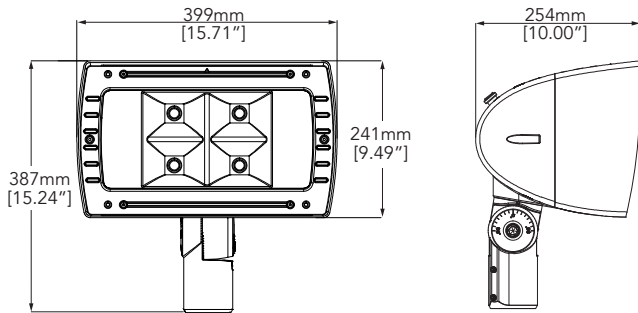
FINISH

Fade, weather, and abrasion resistant, electrostatically applied, thermally cured, triglycidal isocyanurate (TGIC) textured polyester powdercoat finish. Paint is dark bronze.

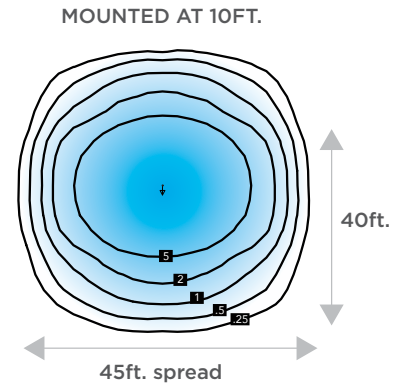
WARRANTY

Fixture is covered by a 5-year limited warranty. See probrite.com/warranty for details.

PRODUCT LINE DRAWING

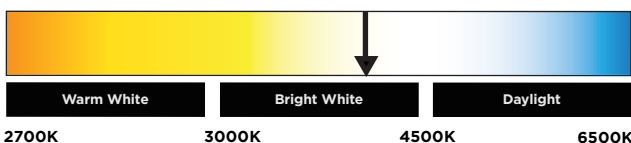


2D PHOTOMETRIC VIEW



PRODUCT SPECIFICATIONS

| | |
|---------------------------------|-------------------------------|
| Product Dimensions | : 15.71" x 9.49" x 10.00" |
| Weight | : 26.43 lbs |
| Lumens | : 18447 |
| System Wattage | : 152W |
| LED Wattage | : 148W |
| Efficacy | : 121 |
| CRI | : 70 |
| Replaces (MH) | : 400W |
| Mounting | : Knuckle |
| Frequency | : 50-60Hz |
| THD (Total Harmonic Distortion) | : <20% |
| PF (Power Factor) | : >0.9 |
| Ambient Operating Temperature | : (-30) - 40°C |
| Input Voltage | : 120-277V |
| LED Chip | : HL-AT-2835FVW-S1-08-PCT-HR3 |
| Photocell | : Yes |
| Driver | : 0-10V Dimming |
| Standard Lifetime | : L70 >50,000hrs |
| Standard Warranty | : 5 Years |
| Water Proofing Grade | : IP66 |
| CCT | : 4000K |
| Certifications | : DLC, UL/cUL |



APPLICATION

