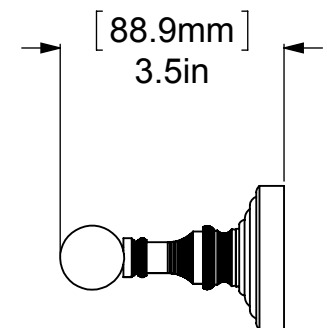
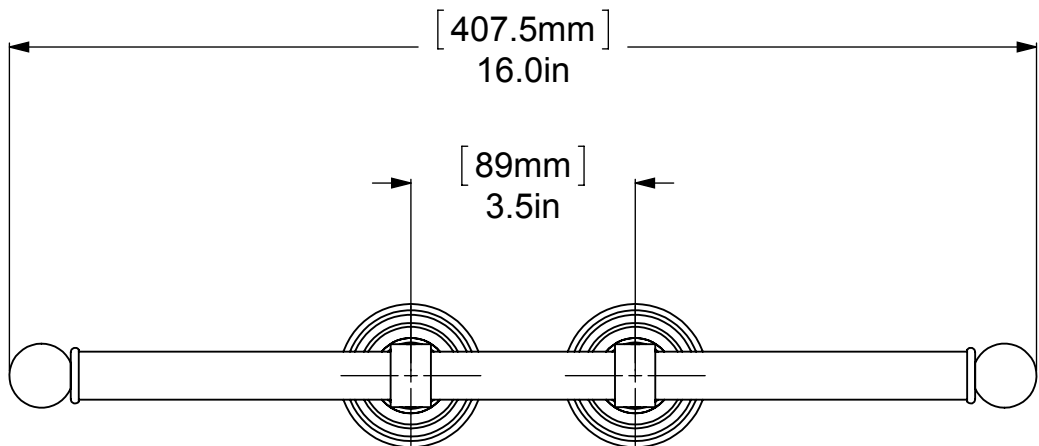
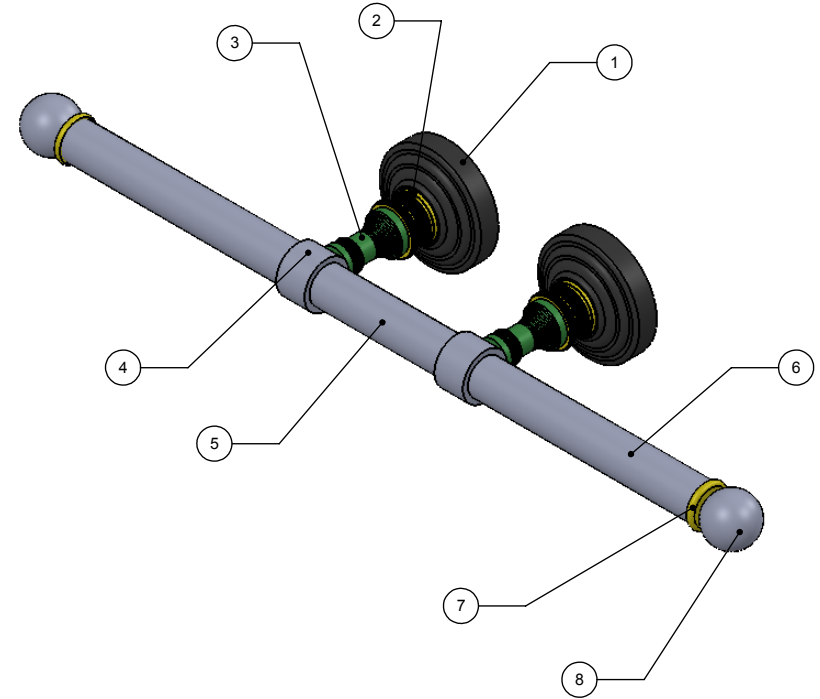
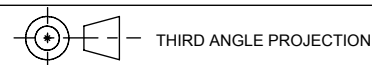


ITEM NO.	P/N	Description	QTY.
1	BPWV	BACKPLATE	2
2	NKSL-58	Neck	2
3	NKSL-25	SUPPORT	2
4	HB1T-1	HUB	2
5	TU34-3	MID TUBE	1
6	TU34-5	SIDE TUBE	2
7	CRRD-34	CHECK RING	2
8	BL1T-1	END BALL	2



UNLESS OTHERWISE STATED	
.X	±.3mm
.XX	±.15mm
.XXX	±.008mm

COPYRIGHT © Allied Brass 2016



DRAWN	6/11/2016	I.M
CHECKED	6/11/2016	P.D
APPROVED	6/11/2016	R.A

MATERIAL:	BRASS
DESCRIPTION:	TOILET TISSUE HOLDER

FINISH	TBD
QUANTITY	TBD
DRAWING No.	WP-24-2
REV	0
SCALE	1:3
SHEET: 01	A4