



LED LAMPS



Halco HID High Bay Retrofit Series



UL Rated



5 Year Warranty



DLC Qualified

The ProLED® HID High Bay Retrofit Series lamps are an easy to install LED replacement for 400W Metal Halide lamps. Designed specifically for high bay luminaires, this new HID Retrofit Lamp is only 90W and offers an efficacy up to 137 LPW. The directional design offers the most effective way to deliver an equal amount of light to the work plane, when compared to omnidirectional metal halide sources. The unique passive cooling design, uses louvered heat sink to minimize dust intrusion, and allows this lamp to be rated for enclosed fixture use. A 50,000 hour useful life, combined with the ability to eliminate the ballast ensures that luminaire maintenance is a thing of the past.

Replaces 400W Metal Halide Lamps for over 80% Energy Savings

EX39 Base

Directional Optical Design Maximizes Lighting Performance

Unique Passive Cooling Design Cools Efficiently while Minimizing Dust Intrusion

Backed By a 5-Year Warranty

Applications:

High Bay Luminaires

Markets:

Commercial
Industrial



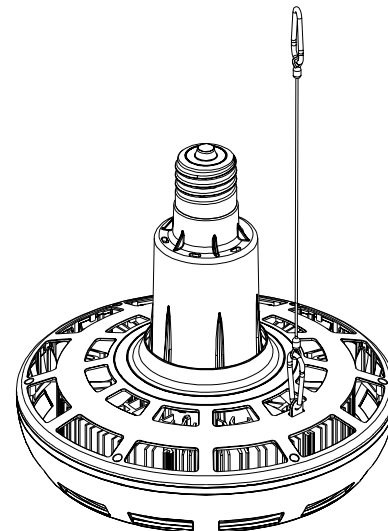
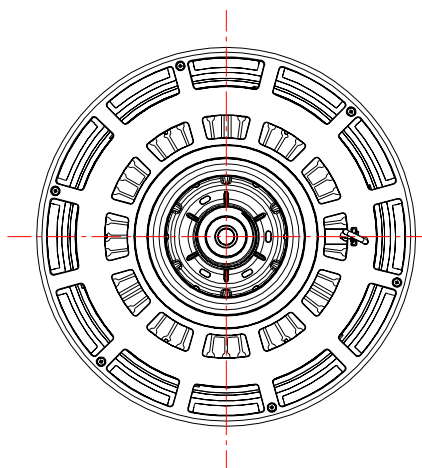
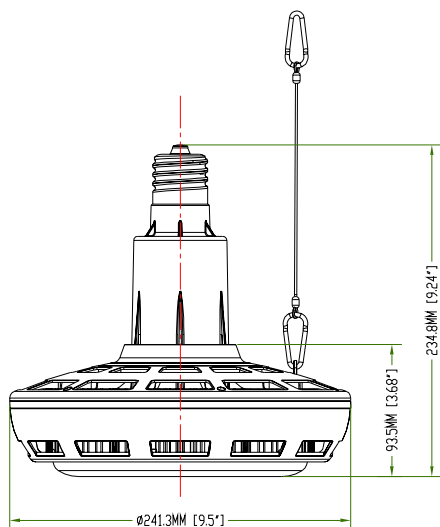
Contact Your Customer Care Specialist For Pricing, Orders And Technical Support.
800.677.3334 www.halcolighting.com

Halco HID High Bay Retrofit Series

Product #: _____ Type: _____

Project: _____ Date: _____

Comments: _____ Initials: _____



Performance

CRI	_____	84
Rated Life	_____	50,000 hour life
Watt	_____	90
Lumens per Watt (LPW)	_____	>135
Input Line Voltage	_____	100-277V

* On standard (0.88 BF) ballast

Min. Start Temp.	_____	-4°F(-20°C)
Max. Operating Temp.	_____	122°F(50°C)
Power Factor	_____	0.99
Warranty	_____	5-Year Limited
Control	_____	Non-Dimmable
Weight	_____	4.8 lbs.

Energy Savings

Lamp	System Wattage	Replacement LED	System Wattage	Energy Savings
400W Metal Halide	458W	HID90/850/EX39/LED	90W	80%

Installation

- Requires simple ballast bypass/removal to operate directly on line voltage
- UL Classified 1598C Retrofit Kit for high bay luminaires (maintains system UL compliance after luminaire modification)
- UL Listed for damp locations
- Rated for Use in ambient temperatures up to 50°C (122°F)
- Directional design offers superior delivered light when compared to omni-directional options

Construction

- Replaces 400W Metal Halide lamps
- Includes safety cable for additional security
- EX39 base
- Passive cooling heat sink (no internal fan)
- Unique louvered heat sink shield avoids dust accumulation and heat buildup
- Isolated driver enclosure helps maintain optimal thermal performance

Electrical

- 100V-277V input range
- Non-Dimmable
- Integral 4KV surge protection
- 50/60 Hz operating frequency
- High power factor for optimal energy efficiency
- Superior efficacy - 135 lumens per watt

Ordering Information

Product Code	Product Number	Base	Wattage	Color Temp.	Lumens	CRI	Voltage
HID90/840/EX39/LED	84113	EX39	90W	4000K	11970	84	100-277V
HID90/850/EX39/LED	84114	EX39	90W	5000K	12150	84	100-277V

Halco HID High Bay Retrofit Series

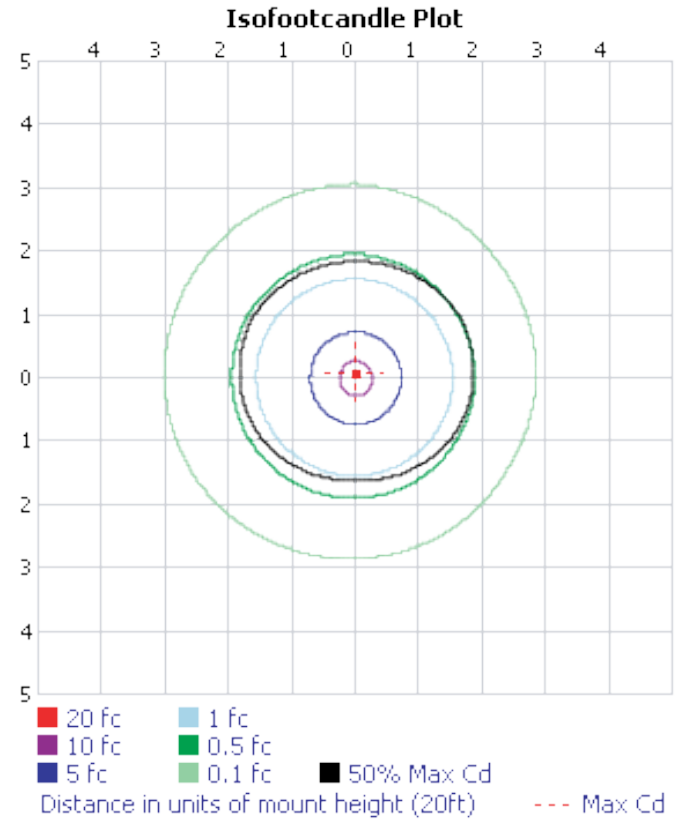
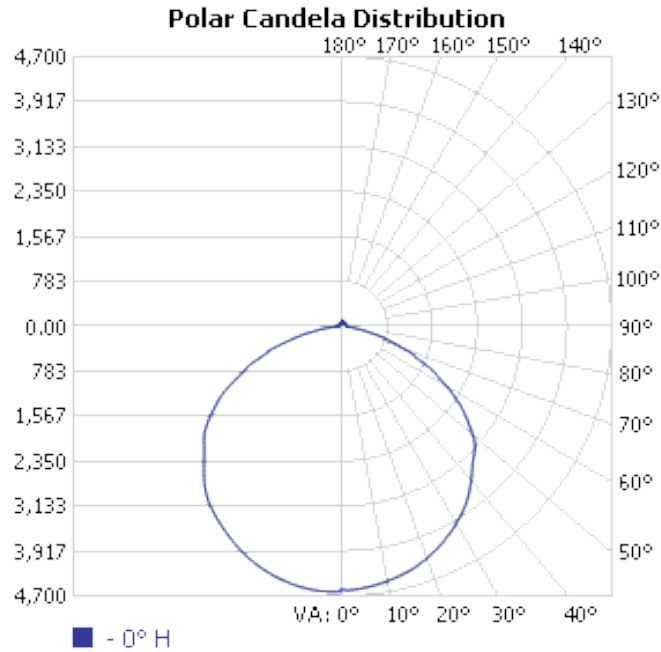
Product #: _____ Type: _____
 Project: _____ Date: _____
 Comments: _____ Initials: _____

ISO Footcandle Plots

Each gridline represents the mounting height shown. The grid scale is based on the mounting height.

For mounting heights other than noted, use the formula on the right.

$$\text{Factor} = \frac{(\text{Chart's Mtg. Height})}{(\text{Actual Mtg. Height})}$$



ZONAL LUMEN SUMMARY

ZONE	LUMENS	LAMP%	LUMINAIRE
0-30	3,605.5	25.3%	25.3%
0-40	5,985.7	41.9%	41.9%
0-60	10,936.5	76.6%	76.6%
60-90	2,908.1	20.4%	20.4%
70-100	1,218.4	8.5%	8.5%
90-120	210.8	1.5%	1.5%
0-90	13,844.6	97%	97%
90-180	426.4	3%	3%
0-180	14,271.0	100%	100%

LUMENS PER ZONE

ZONE	LUMENS	% TOTAL	ZONE	LUMENS	% TOTAL
0-10	433.0	3.0%	90-100	78.8	0.6%
10-20	1,249.5	8.8%	100-110	68.9	0.5%
20-30	1,923.0	13.5%	110-120	63.1	0.4%
30-40	2,380.2	16.7%	120-130	55.1	0.4%
40-50	2,552.2	17.9%	130-140	50.8	0.4%
50-60	2,398.6	16.8%	140-150	44.2	0.3%
60-70	1,768.6	12.4%	150-160	34.9	0.2%
70-80	905.4	6.3%	160-170	22.7	0.2%
80-90	234.1	1.6%	170-180	7.8	0.1%

