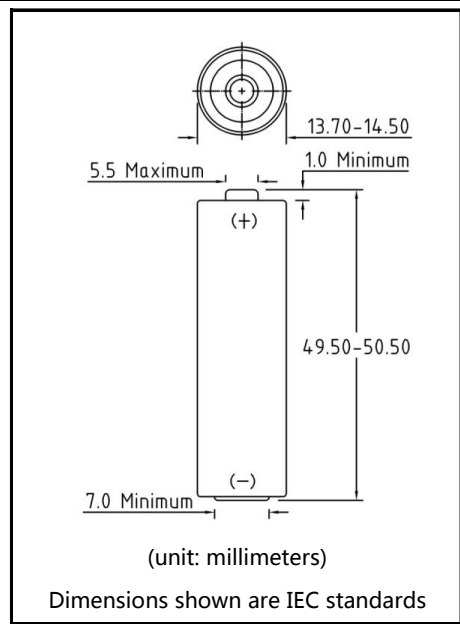


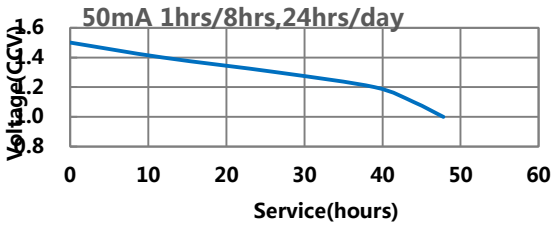
Size: AA (LR6)
Alkaline-Manganese Dioxide
Battery



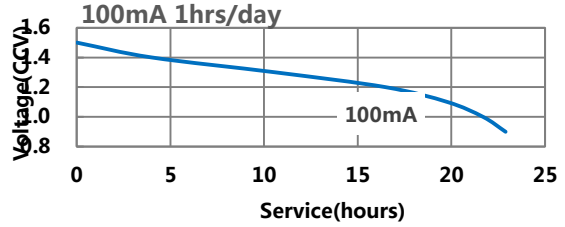
Nominal voltage	1.5 V
Impedance	90 m-ohm @ 1 kHz
Typical weight	23.0 g (0.8 oz)
Typical volume	8.3 cm ³ (0.5 in ³)
Terminals	Flat
Storage temperature range	5°C to 30°C(41°F to 86°F)
Operating temperature range	-20°C to 54°C(-4°F to 130°F)
Designation	ANSI: 15A IEC: LR6



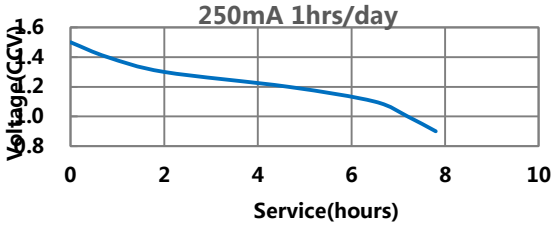
Remote control



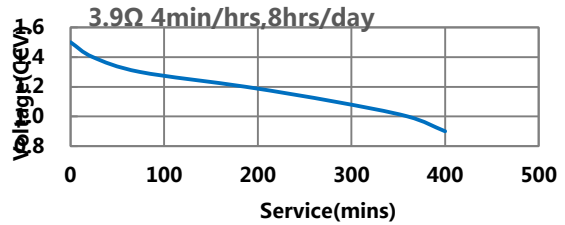
Digital audio



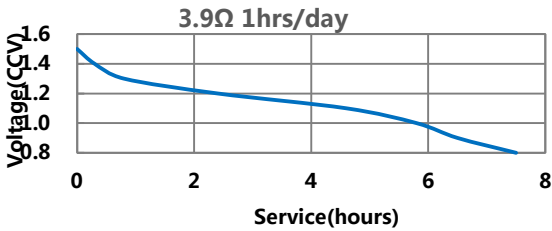
Toy, non-motorized



Portable lighting



Motor/toy



Digital still camera

