

# GROHFLEX SHOWER SET

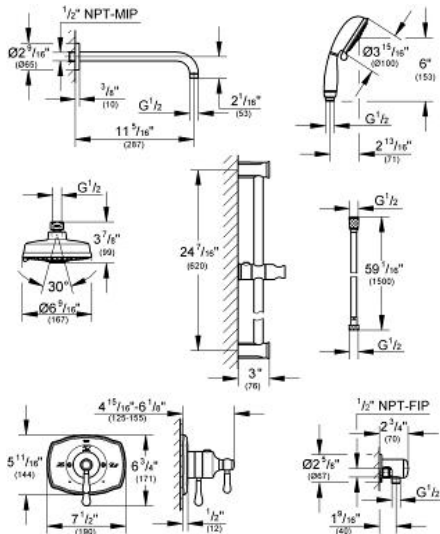
## Thermostat valve

MODEL # 35054

Pure Freude an Wasser



GROHE America, Inc | 200 North Gary Avenue, Suite G, Roselle, IL 60172  
 Phone: +1 (800) 444-7643 | Fax: +1 (800) 225-2778 | us-customerservice@grohe.com



### Product Description:

#### Thermostat valve

### Standard Specification:

- Shower combination
  - Consisting of:
    - Rainshower™ Rustic 160 shower head - 4 spray, 2.5 gpm (27 130)
    - Rainshower™ 12" shower arm (28 577)
    - GroFlex® THM Authentic dual function (19 825)
    - New Tempesta® Rustic 100 shower set - 4 spray, 2.5 gpm (27 609)
    - Relaxa® wall union (28 672 000 / 28 627 EN0)
- Requires GroFlex® Universal Rough-In Box (35 026)

### Applicable Codes & Standards:

- Energy Policy Act of 1992
- ASME A112.18.1/CSA B125.1

### Color:

- 35054 EN0 chrome
- 35054 000 chrome