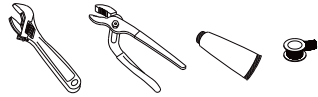


installation

Tools

- Adjustable wrench
- Groove joint plier
- Plumber's putty
- Pipe tape



For Models: BF505

Maintenance

Your new bar faucet is designed for years of trouble-free performance. Keep it looking new by cleaning it periodically with a soft cloth. Avoid abrasive cleaners, steel wool and harsh chemicals as these will dull the finish and void your warranty.

Safety Tips

- If you use soldering for the installation of the faucet, the seats, cartridges and washers will have to be removed before using flame. Otherwise, warranty will be void on these parts.
- Protect your eyes with safety glasses when cutting or soldering water supply line.
- Cover your drain to avoid losing parts.

Important Points

Prior to beginning installation, turn off the cold and hot water lines and open the old faucet to release built-up pressure. When installing your new faucet, turn the connector nuts finger-tight, then use one wrench to anchor the fitting and a second wrench to tighten the nut one additional turn. Connections that are too tight will reduce the integrity of the system. Wrap all threaded connections with Teflon tape available at your local hardware or plumbing supply store. Always wrap in a clockwise direction. The fittings should be installed by the State-licensed plumber.

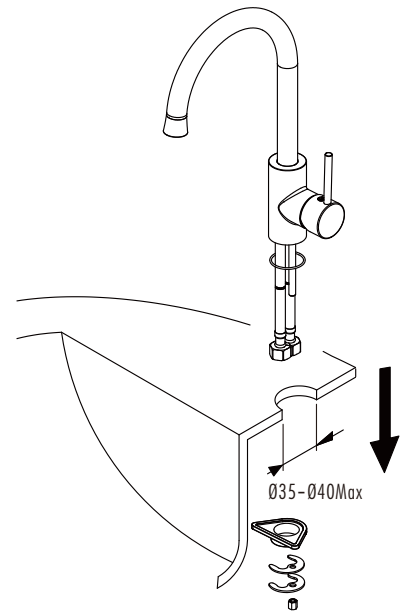
Things You May Need

All installations can vary depending on how your previous faucet was installed. Necessary supplies to install your faucet are not all included; however, they are available wherever plumbing supplies are sold. When choosing your installation supplies, make sure they are IAPMO and/or CSA approved products.

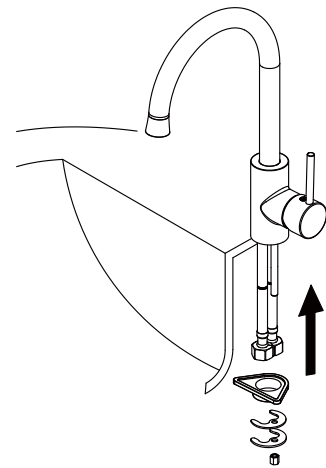


Preparation/Assembly

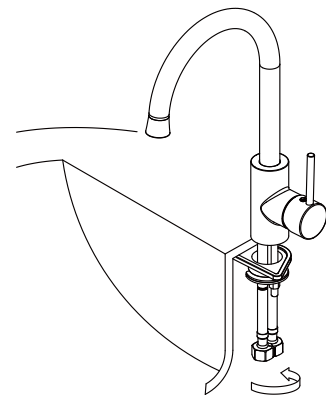
- 1** Make sure there is a $\text{Ø}35\text{-}\text{Ø}40$ Hole on the basin before fix the mixer, Unscrew the fitting ASSY from the bottom of the body, then get the body through the hole, don't forget to fix the o-ring between the bottom of the body and the basin.



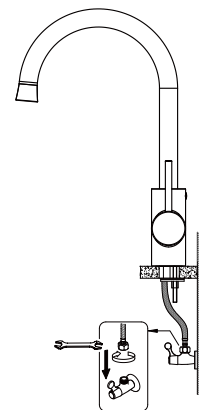
- 2** According the remove step to screw up the fixing set to the mixer below the basin.



- 3** Use hand to screw up the locknut, then use install tool for fixing strengthen.

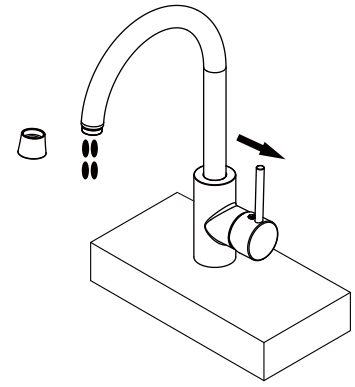


- 4** Connect the inlet hose from the body, "Red" for connecting to the hot water, and "Blue" for connecting to the cold water.

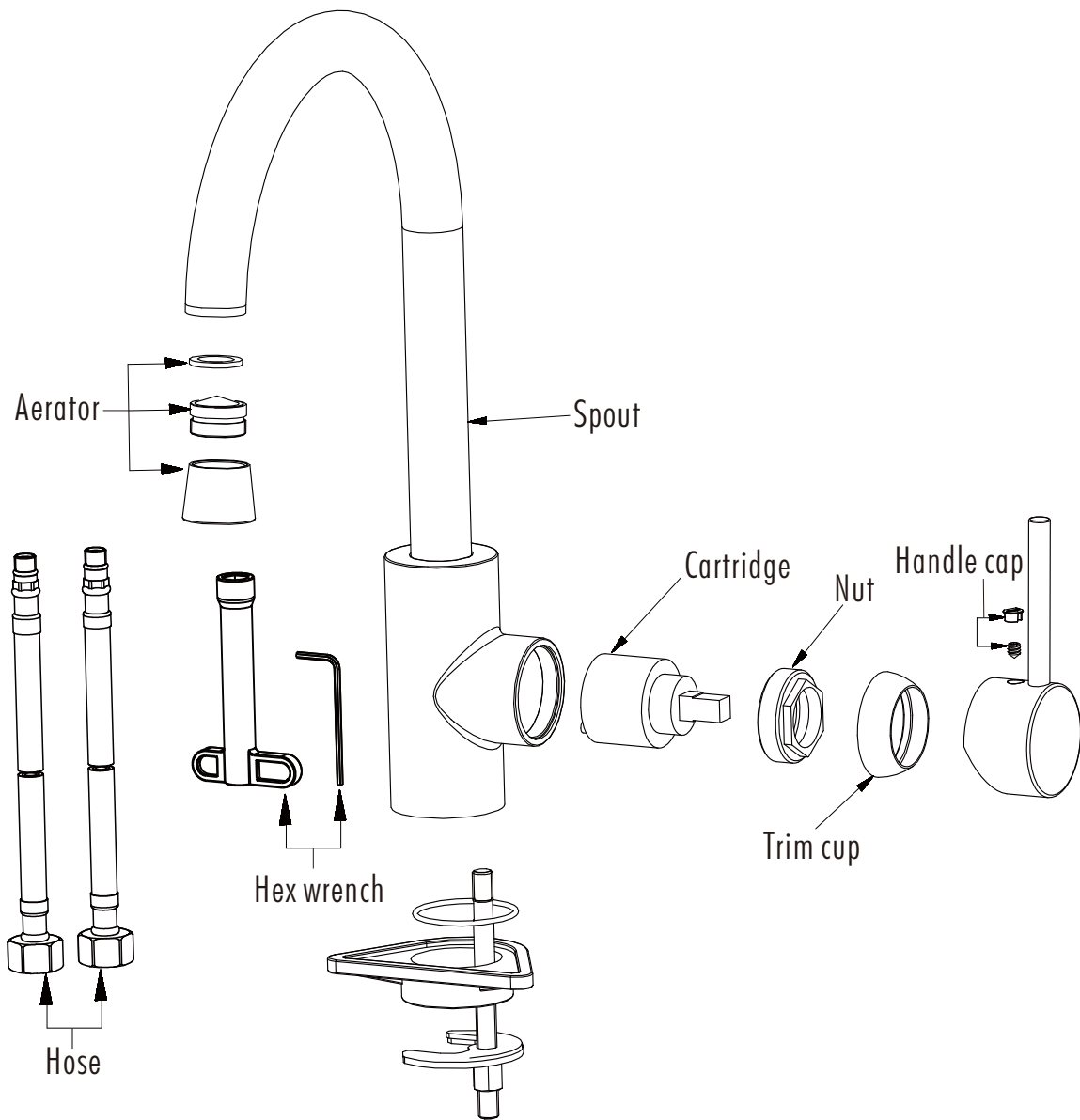


Installation

- 5 Pull the handle right is open, the angle you pull are more, the flow rate is becoming large, conversely the angle you pull are small, the flow rate is becoming little till close.



Parts Breakdown



Parts Diagram