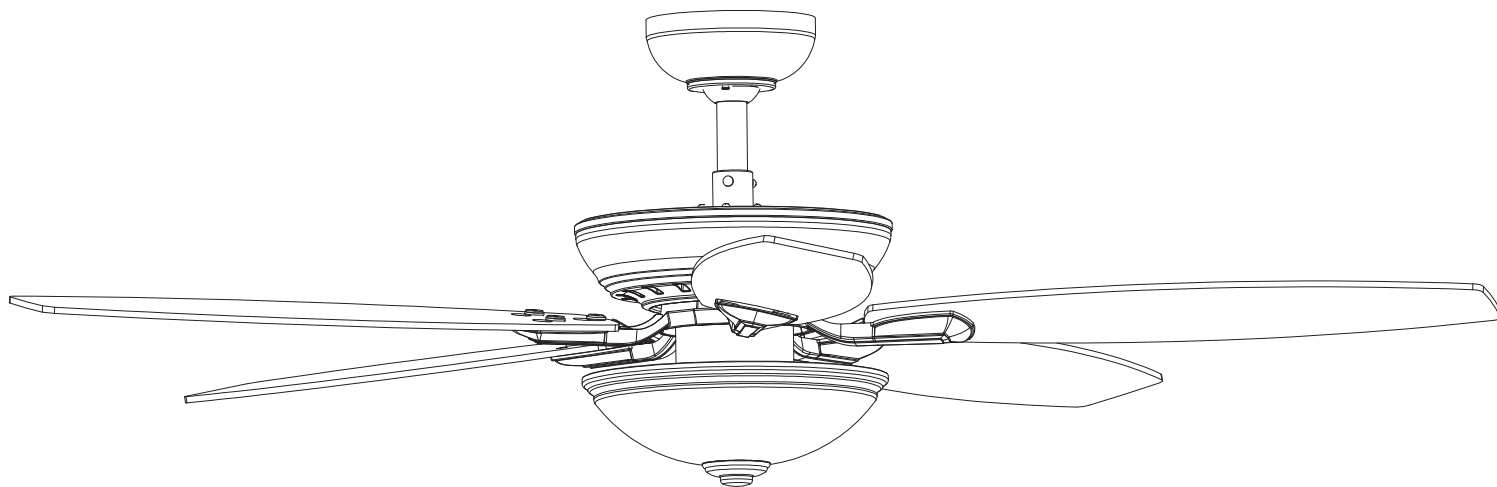


USE AND CARE GUIDE

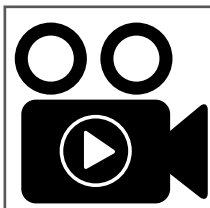
CONNOR 54-INCH CEILING FAN



Questions, problems, missing parts? Before returning to the store,
call Home Decorators Collection Customer Service
8 a.m. - 7 p.m., EST, Monday-Friday, 9 a.m. - 6 p.m., EST, Saturday

1-800-986-3460

HOMEDEPOT.COM/HOMEDECORATORS



To view an instructional video on how to install this product:

1. Go to www.homedepot.com and enter either the Item or Model number, found in the top right corner of the cover of this instruction manual, in the search field.
2. Click on your product from the list of search results and click on the video link in the "Product Overview" section.

THANK YOU

We appreciate the trust and confidence you have placed in Home Decorators Collection through the purchase of this ceiling fan. We strive to continually create quality products designed to enhance your home. Visit us online to see our full line of products available for your home improvement needs. Thank you for choosing Home Decorators Collection!

Table of Contents

Table of Contents	2	Assembly	7
Safety Information	2	Operation	14
Warranty	3	Care and Cleaning	16
Pre-Installation	3	Troubleshooting	16
Installation.....	6		

Safety Information

READ AND SAVE THESE INSTRUCTIONS.

1. To reduce the risk of electric shock, ensure the electricity has been turned off at the circuit breaker or fuse box before you begin.
2. All wiring must be in accordance with the National Electrical Code ANSI/NFPA 70 and local electrical codes. Electrical installation should be performed by a qualified licensed electrician.
3. The outlet box and support structure must be securely mounted and capable of reliably supporting 35 lbs. (15.9 kg). Use only UL Listed outlet boxes marked "Acceptable for Fan Support of 35 lbs. (15.9 kg) or less".
4. The fan must be mounted with a minimum of 7 ft (2.1 m) clearance from the trailing edge of the blades to the floor.
5. Do not operate the reversing switch while the fan blades are in motion. You must turn the fan off and stop the blades before you reverse the blade direction.
6. Do not place objects in the path of the blades.
7. To avoid personal injury or damage to the fan and other items, use caution when working around or cleaning the fan.
8. Electrical diagrams are for reference only. Light kits that are not packed with the fan must be UL-listed and marked suitable for use with the model fan you are installing. Switches must be UL General Use Switches. Refer to the instructions packaged with the light kits and switches for proper assembly.
9. After making electrical connections, spliced conductors should be turned upward and pushed carefully up into the outlet box. The wires should be spread apart with the grounded conductor and the equipment-grounding conductor on one side of the outlet box.
10. All setscrews must be checked and retightened where necessary before installation.



WARNING: To reduce the risk of personal injury, do not bend the blade brackets (also referred to as flanges) during assembly or after installation. Do not insert objects in the path of the blades.



WARNING: To avoid possible electrical shock, turn the electricity off at the main fuse box before wiring. If you feel you do not have enough electrical wiring knowledge or experience, contact a licensed electrician.



WARNING: Electrical diagrams are for reference only. Optional use of any light kit shall be UL-listed and marked suitable for use with this fan.



CAUTION: To reduce the risk of personal injury, use only the screws provided with the outlet box.



CAUTION: Changes or modifications not expressly approved by the party responsible for compliance could void the user's authority to operate the equipment.



CAUTION: Do NOT use this fan with a dimmer switch or wall control. Using a dimmer switch or wall control will damage the fan.

This equipment has been tested and found to comply with the limits for a Class B digital device, pursuant to Part 15 of the FCC Rules. These limits are designed to provide reasonable protection against harmful interference in a residential installation. This equipment generates, uses and can radiate radio frequency energy and, if not installed and used in accordance with the instructions, may cause harmful interference to radio communications. However, there is no guarantee that interference will not occur in a particular installation. If this equipment does cause harmful interference to radio or television reception, which can be determined by turning the equipment off and on, the user is encouraged to try to correct the interference by one or more of the following measures:

- Reorient or relocate the receiving antenna.
- Increase the separation between the equipment and receiver.
- Connect the equipment into an outlet on a circuit different from that to which the receiver is connected.
- Consult the dealer or an experienced radio/TV technician for help.

CAUTION:

Any changes or modifications not expressly approved by the grantee of this device could void the user's authority to operate the equipment.

This device complies with Part 15 of the FCC Rules. Operation is subject to the following two conditions: (1) This device may not cause harmful interference, and (2) this device must accept any interference received, including interference that may cause undesired operation.

Warranty

The supplier warrants the fan motor to be free from defects in workmanship and material present at time of shipment from the factory for a lifetime after the date of purchase by the original purchaser. The supplier also warrants that all other fan parts, excluding any glass or acrylic blades, to be free from defects in workmanship and material at the time of shipment from the factory for a period of two years after the date of purchase by the original purchaser. We agree to correct such defects without charge or at our option replace with a comparable or superior model if the product is returned. To obtain warranty service, you must present a copy of the receipt as proof of purchase. All costs of removing and reinstalling the product are your responsibility. Damage to any part such as by accident or misuse or improper installation or by affixing any accessories, is not covered by this warranty. Because of varying climatic conditions this warranty does not cover any changes in brass finish, including rusting, pitting, corroding, tarnishing, or peeling. Brass finishes of this type give their longest useful life when protected from varying weather conditions. A certain amount of "wobble" is normal and should not be considered a defect. Servicing performed by unauthorized persons shall render the warranty invalid. There is no other express warranty. Home Decorators Collection hereby disclaims any and all warranties, including but not limited to those of merchantability and fitness for a particular purpose to the extent permitted by law. The duration of any implied warranty which cannot be disclaimed is limited to the time period as specified in the express warranty. Some states do not allow a limitation on how long an implied warranty lasts, so the above limitation may not apply to you. The retailer shall not be liable for incidental, consequential, or special damages arising out of or in connection with product use or performance except as may otherwise be accorded by law. Some states do not allow the exclusion of incidental or consequential damages, so the above exclusion or limitation may not apply to you. This warranty gives specific legal rights, and you may also have other rights which vary from state to state. This warranty supersedes all prior warranties. Shipping costs for any return of product as part of a claim on the warranty must be paid by the customer.

Contact the Customer Service Team at 1-800-986-3460 or visit www.HomeDepot.com/homedecorators.

Pre-Installation

SPECIFICATIONS

Size	Speed	Volts	Watts	Amps	RPM	CFM	Net Weight	Gross Weight	Cube Feet
54 in.	Low	120	13	0.27	53	2527	18.30 lbs. (8.3 kg)	20.72 lbs. (9.4 kg)	1.77 cu.ft.
	Medium		29	0.39	98	3733			
	High		65	0.54	140	5065			



NOTE: These are approximate measures. They do not include the Amps and Wattage used by the light kit.



TOOLS REQUIRED



Phillips screwdriver



Flat blade screwdriver



Adjustable wrench



Electrical tape



Wire cutter



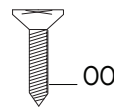
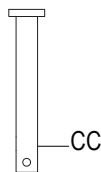
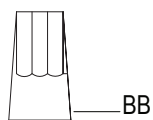
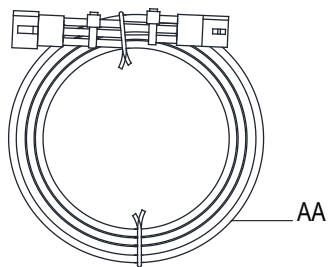
Step ladder

Pre-Installation (continued)

HARDWARE INCLUDED



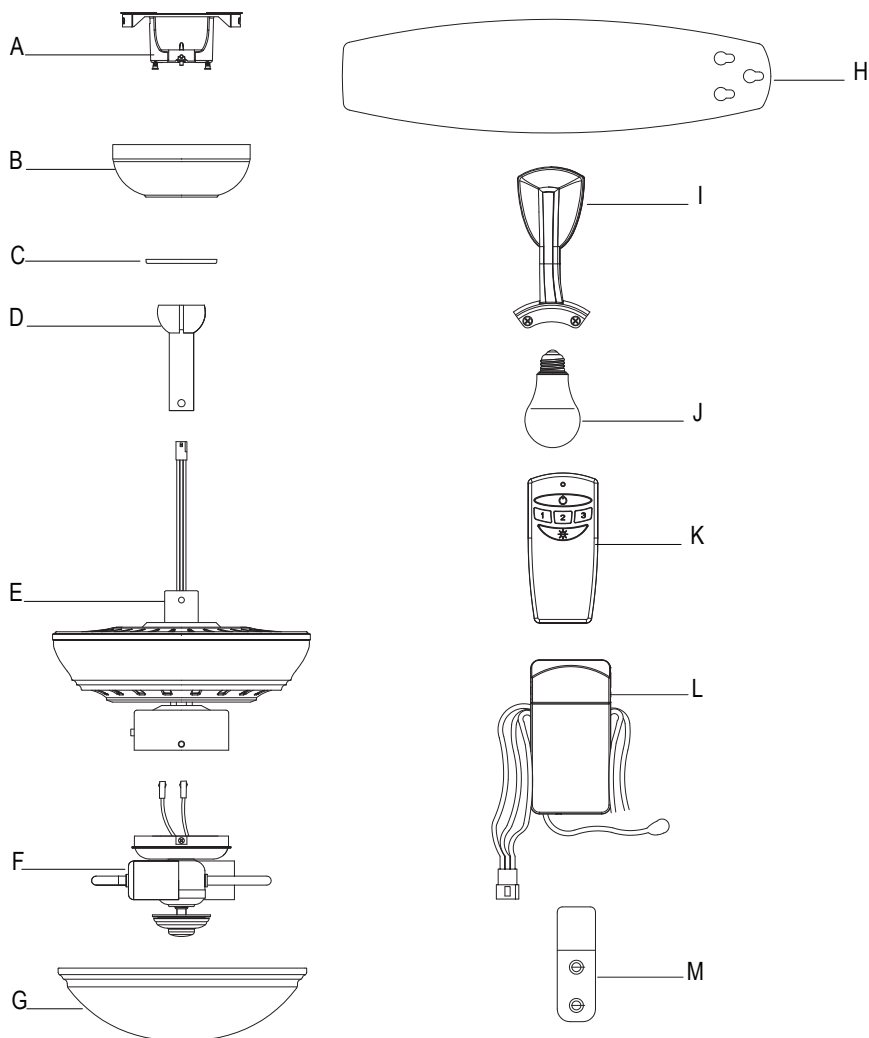
NOTE: Hardware not shown to actual size.



Part	Description	Quantity
AA	Leadwire	1
BB	Plastic wire connector	3
CC	Hanging pin	1
DD	Locking pin	1
OO	Wall mount screws	2
PP	Plug	1

Pre-Installation (continued)

PACKAGE CONTENTS



Part	Description	Quantity
A	Slide-on mounting bracket (inside canopy)	1
B	Canopy	1
C	Canopy bottom cover	1
D	Ball/downrod assembly	1
E	Fan-motor assembly	1
F	Light kit fitter assembly	1
G	Glass bowl	1

Part	Description	Quantity
H	Blade	5
I	Blade arm	5
J	LED bulb	2
K	Remote control (battery included)	1
L	Receiver	1
M	Wall bracket	1



IMPORTANT: This product and/or components are governed by one or more of the following U.S. Patents: 5,947,436; 5,988,580; 6,010,110; 6,046,416; 6,210,117 and other patents pending.

Installation

MOUNTING OPTIONS

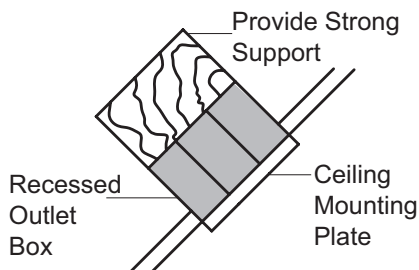
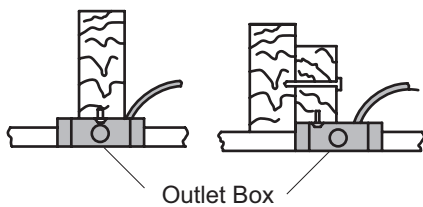
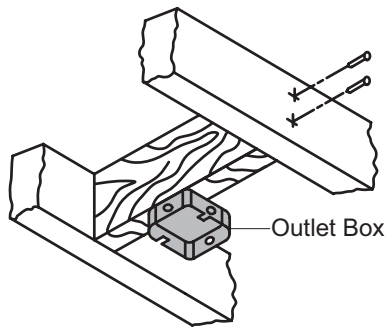


WARNING: To reduce the risk of fire, electric shock, or personal injury, mount the fan to an outlet box marked "Acceptable for fan support of 35 lbs. (15.9kg) or less" and use the screws provided with the outlet box. An outlet box commonly used for the support of lighting fixtures may not be acceptable for fan support and may need to be replaced. If in doubt, consult a qualified electrician.

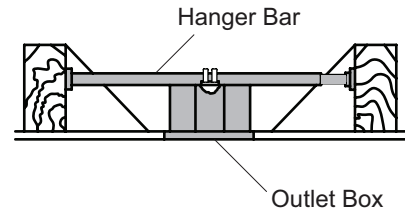
If your ceiling fan does not have an existing UL-listed mounting box, then install one using the following instructions:

- Disconnect the power by removing the fuses or turning off the circuit breakers.
- Secure the outlet box directly to the building structure. Use the appropriate fasteners and materials. The outlet box and its bracing must be able to fully support the weight of the moving fan (at least 35 lbs.). Do not use a plastic outlet box.

The illustrations below show three different ways to mount the outlet box.



NOTE: You may need a longer downrod to maintain proper blade clearance when installing on a steep, sloped ceiling. The maximum angle allowable is 30° away from horizontal.



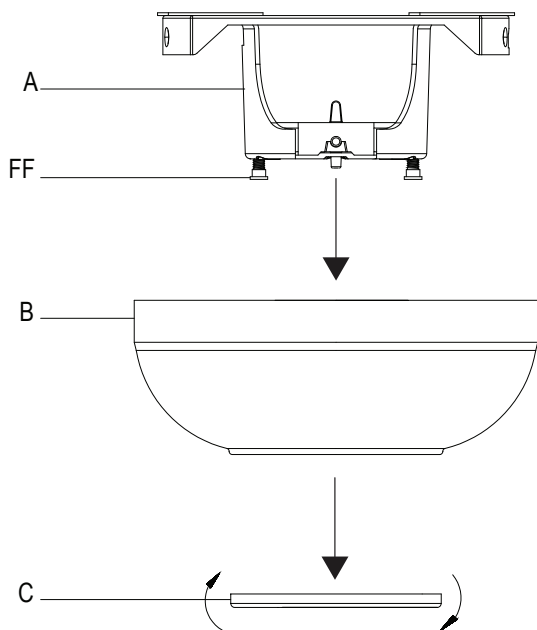
If the canopy (B) touches the ball/downrod assembly (D), then remove the decorative canopy bottom cover (C) and turn the canopy (B) 180° before attaching the canopy (B) to the mounting plate.

To hang your fan where there is an existing fixture but no ceiling joist, you may need an installation hanger bar as shown above (available at any Home Depot store).

Assembly - Standard Ceiling Mount

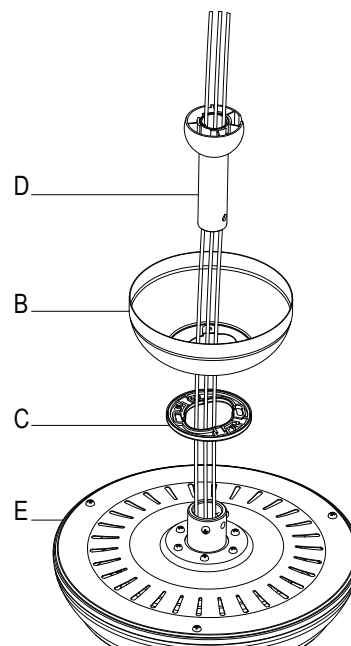
1 Preparation for standard mounting

- Remove the canopy bottom cover (C) from the canopy (B) by turning the bottom cover counterclockwise until it unlocks.
- Loosen the two canopy screws (FF) located in the bottom of the mounting bracket (A), and turn the canopy counterclockwise to remove the mounting bracket (A) from the canopy (B).



2 Routing the wires

- Route the wires exiting the top of the fan motor assembly (E) through the center of the canopy bottom cover (C).
- Make sure the opening of the canopy (B) is on top and insert the ball/downrod (D) through the canopy (B).
- Route the wires exiting the top of the fan motor assembly (E) through the downrod as shown.

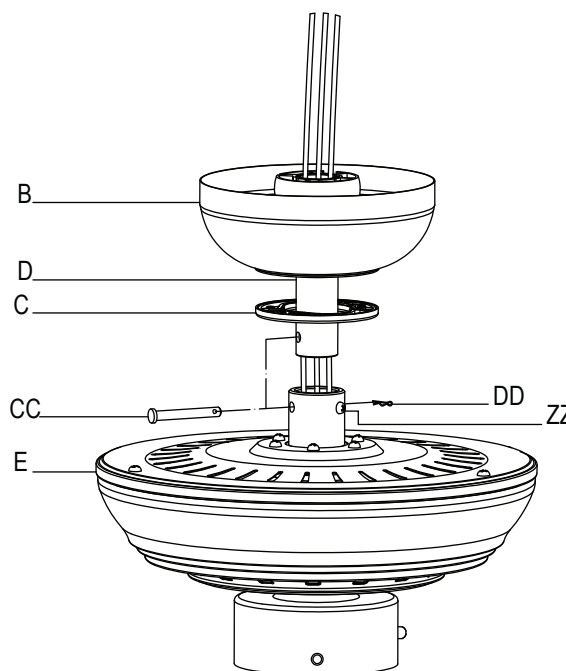


3 Assembling the fan



WARNING: Failure to properly install the locking pin could result in the fan becoming loose and possibly falling.

- Loosen, but do not remove, the 2 setscrews (ZZ) on the collar on top of the motor housing (E).
- Align the holes at the bottom of the downrod (D) with the holes in the collar on top of the motor housing (E).
- Carefully insert the hanger pin (CC) through the holes in the collar and downrod (D). Be careful not to jam the hanger pin (CC) against the wiring inside the downrod (D).
- Insert the locking pin (DD) through the hole near the end of the hanger pin (CC) until it snaps into its locked position.
- Re-tighten the 2 setscrews (ZZ) on the collar on top of the motor housing (E).



Assembly - Hanging the Fan

1 Attaching the fan to the electrical box

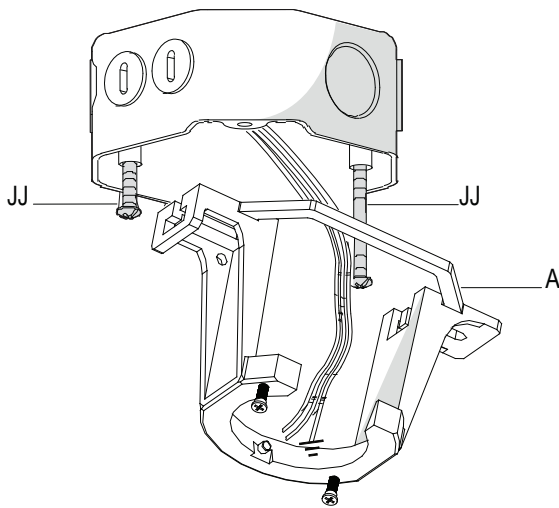


WARNING: To reduce the risk of fire, electric shock, or other personal injury, mount the fan to an outlet box or supporting system marked "Acceptable for fan support of 35 lbs. (15.9kg) or less" and use the mounting screws provided with the outlet box.



NOTE: The mounting bracket (A) is designed to slide into place on an outlet box with the outlet box screws (JJ).

- Pass the 120-Volt supply wires through the center hole in the slide-on mounting bracket (A).
- Install the ceiling slide-on mounting bracket (A) on the outlet box by sliding the slide-on mounting bracket (A) over the two screws (JJ) provided with the outlet box. If necessary, use leveling washers (not included) between the slide-on mounting bracket (A) and the outlet box. Note that the flat side of the slide-on mounting bracket (A) is toward the outlet box.
- Securely tighten the two mounting screws (JJ).

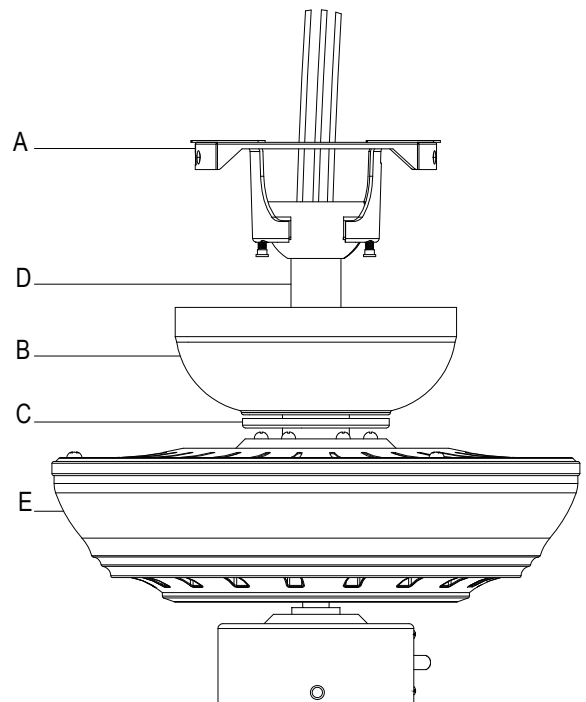


2 Hanging the fan



WARNING: When using the standard ball/downrod mounting, the tab in the ring at the bottom of the mounting bracket must rest in the groove of the hanger ball. Failure to properly seat the tab in the groove may result in fan wobble issues and potentially damage the wiring.

- Carefully lift the fan-motor assembly (E) up to the slide-on mounting bracket (A).
- Seat the hanger ball portion of the ball/downrod assembly (D) in the mounting bracket socket. Ensure that the tab on the slide-on mounting bracket (A) socket is properly seated in the groove in the hanger ball.



Assembly - Hanging the Fan (continued)

3 Installing the receiver

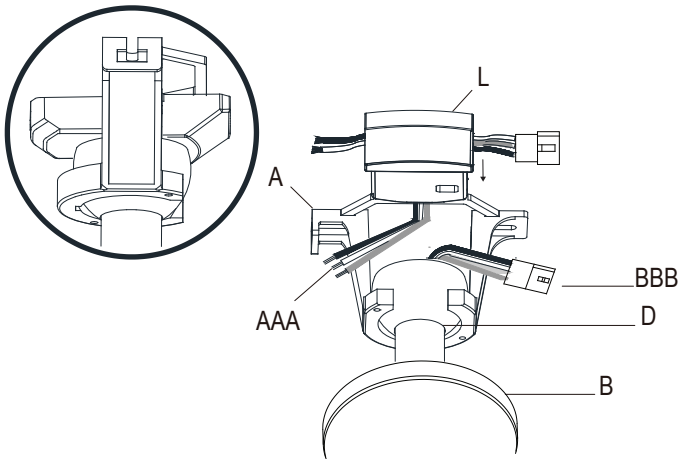


WARNING: To reduce the risk of fire or electric shock, remember to disconnect power. The electrical wiring must meet all local and national electrical code requirements. The electrical source and fan must be 110/120 volt, 60Hz. Do not use this product in conjunction with any variable wall control. Incorrect wire connection can damage this receiver.



CAUTION: Do not immerse in water. Do not pull on or cut the receiver leads shorter. Do not drop or bump the unit.

- Position the house supply wires (AAA) to one side of the slide-on mounting bracket (A); position the fan wires (BBB) to the opposite side.
- Insert the narrow end of the receiver (L) (as shown, flat side towards the ceiling) into the slide-on mounting bracket (A) until it rests on top of the ball/downrod assembly (D).



4 Wiring the receiver to the household wiring



WARNING: To avoid possible electrical shock, turn the electricity off at the main fuse box before wiring. If you feel you do not have enough electrical wiring knowledge or experience, contact a licensed electrician.

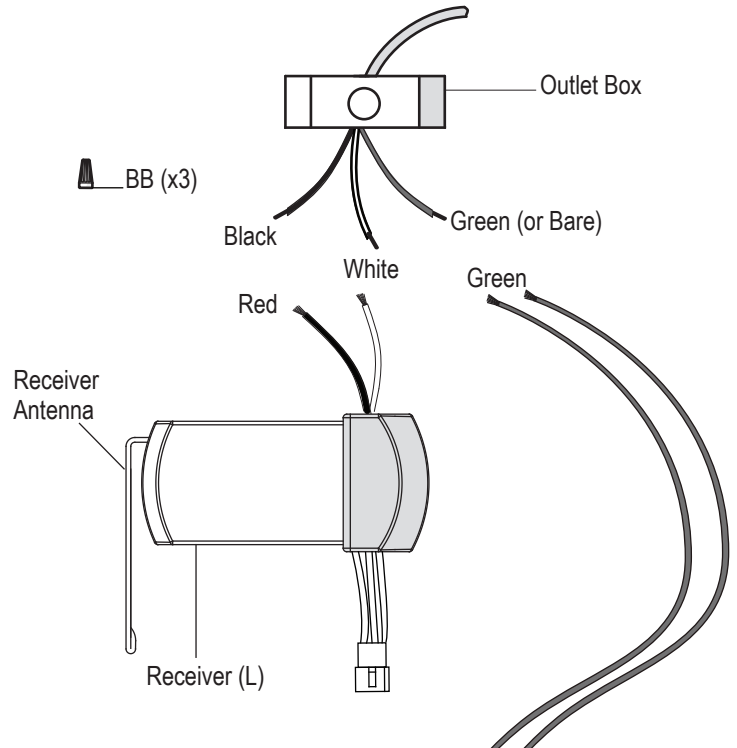


WARNING: Each wire nut supplied with this fan is designed to accept up to one 12-gauge house wire and two wires from the fan. If you have larger than 12-gauge house wiring or more than one house wire to connect to the fan wiring, consult an electrician for the proper size wire nuts to use.



IMPORTANT: Use the wire connecting nuts (BB) supplied with your fan. Secure the connectors with electrical tape and ensure there are no loose strands or connections.

- Spread the wires apart so that the green and white wires are on one side of the outlet box and the black wire is on the other side.
- Connect the green fan wires to the household ground wire (this may be a green or bare wire) using a wire connecting nut (BB).
- Connect the receiver (L) red wire to the household black (hot) wire using a wire connecting nut (BB).
- Connect the receiver (L) white wire to the household white wire (neutral) using a wire connecting nut (BB).
- Secure each wire connecting nut using electrical tape.



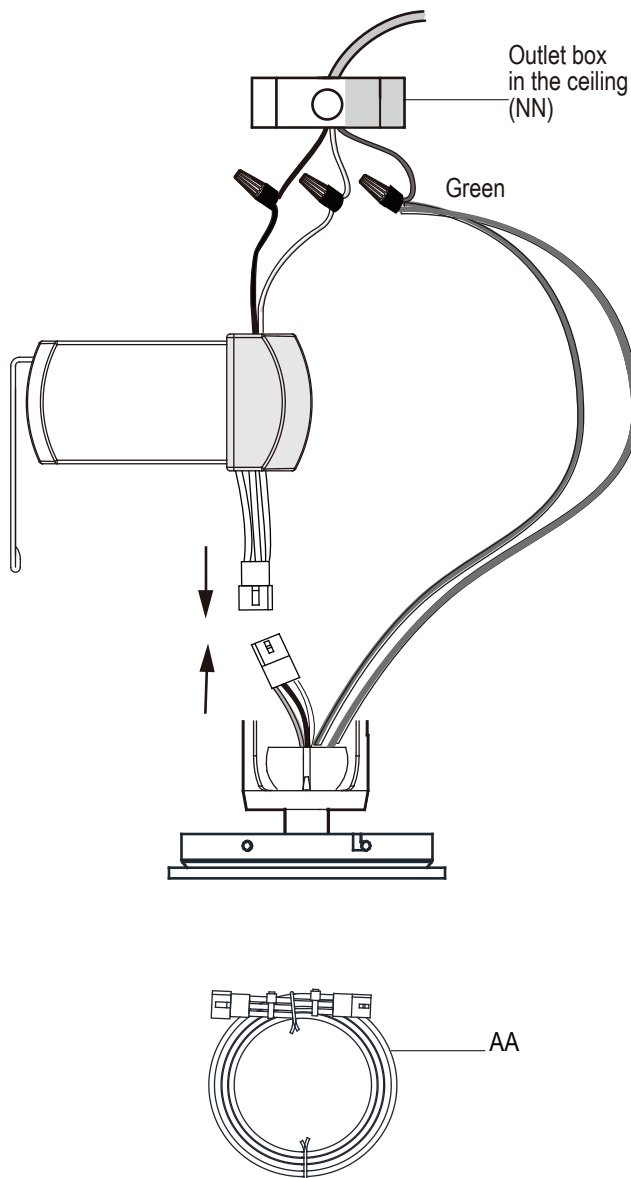
Assembly - Hanging the Fan (continued)

5 Wiring the fan to the receiver



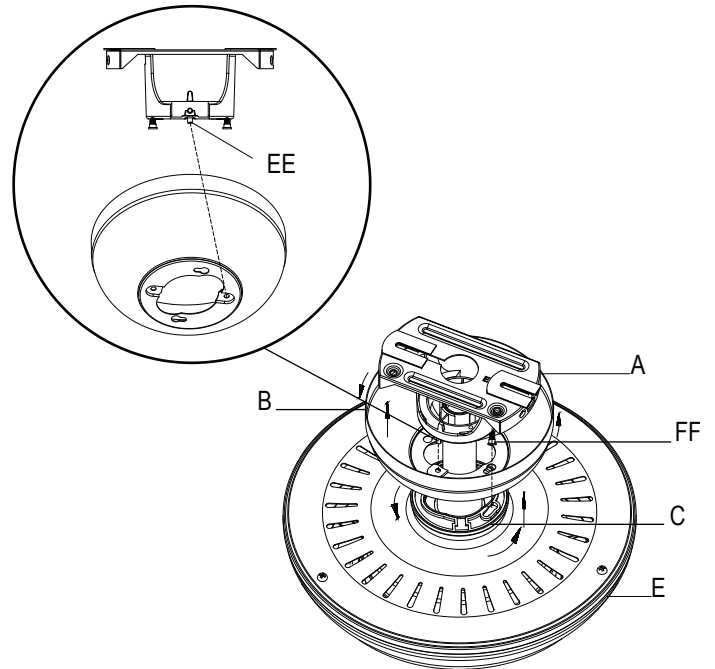
NOTE: The fan comes with 12 in. lead wires for use with the provided 4.5 in. ball downrod assembly (D), if you wish to use longer downrod, you can use the extension lead wire (42 in.) (AA) provided.

- If using the 4.5 in. ball downrod assembly (D) provided, wire the receiver to the fan wires by connecting the molded adaptor plug from receiver (L) with molded adaptor of the fan motor assembly (E) together.
- If you wish to use longer downrod, you can use the extension lead wire (42 in.) (AA) provided by connecting the molded adaptor together.



6 Attaching the Canopy

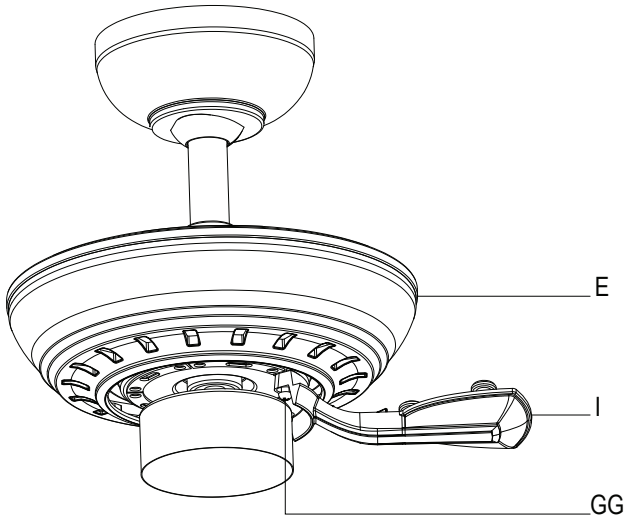
- Align the locking slots of the canopy (B) with the two screws (FF) and alignment post (EE) in the mounting bracket (A).
- Push up the canopy (B) and turn clockwise until the alignment post (EE) engages to the round hole and the screws (FF) engage to the key slots.
- Firmly tighten the two mounting screws (FF).
- Install the decorative bottom cover (C) by aligning the cover slots with screws in the bottom of the canopy (B). Rotate the bottom cover (C) clockwise to lock in place.



Assembly - Attaching the Blades

1 Attaching the blade bracket

- Fasten the blade bracket (I) to the motor (E) by inserting the alignment post into the slot on the bottom of the fan-motor assembly (E) and tightening the motor screws (GG) that are pre-assembled to the blade bracket (I).
- Repeat for the remaining four blade brackets (I).

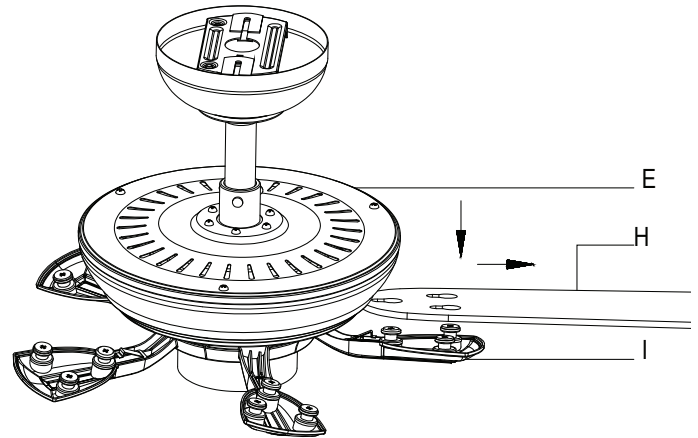


2 Attaching the fan blades



NOTE: This fan features QuickInstall™ blades for fast and easy blade installation.

- Mount the fan blade (H) to the blade bracket (I) by aligning the three key-slot holes in the blade (H) with the three posts on the top of the blade brackets (I).
- Hold the blade (H) close to the blade bracket (I) and press the blade (H) down firmly. Ensure the key-slot holes are properly seated on the blade arm posts.
- While still holding the blade (H) down, firmly slide the blade (H) away from the bracket (I) side until the blade (H) engages in the locking mechanism.
- Make sure the locking mechanism at the rear of the blade bracket (I) springs upward and butts against the edge of the blade (H) indicating a secure connection.
- Visually inspect the top of the blade bracket (I) to ensure the locking mechanism is securely in place.
- Repeat for the remaining blades (H).



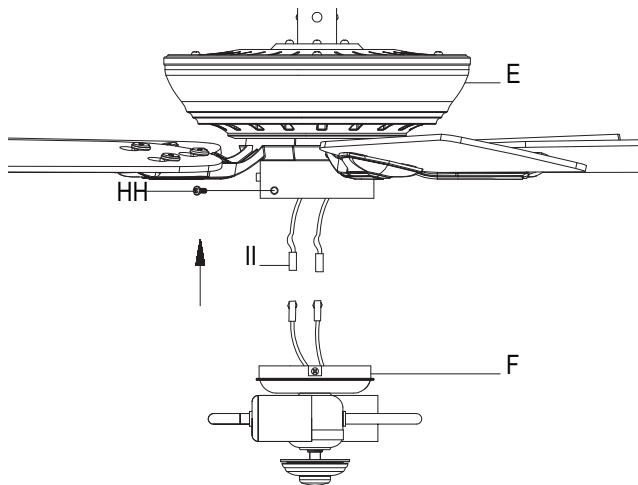
Assembly - Attaching the Light Kit

1 Attaching the light kit



CAUTION: To reduce the risk of electric shock, disconnect the electrical supply circuit to the fan before installing the light kit.

- Remove and save the three screws (HH) from the light kit fitter assembly (F).
- Connect the wires exiting the bottom of the motor assembly (E) by connecting the molded adaptor plugs together (II) (blue to blue, white to white).
- Slide the light kit (F) into the switch housing and secure it using the three screws (HH) that were removed in the first step.



2 Installing the glass bowl

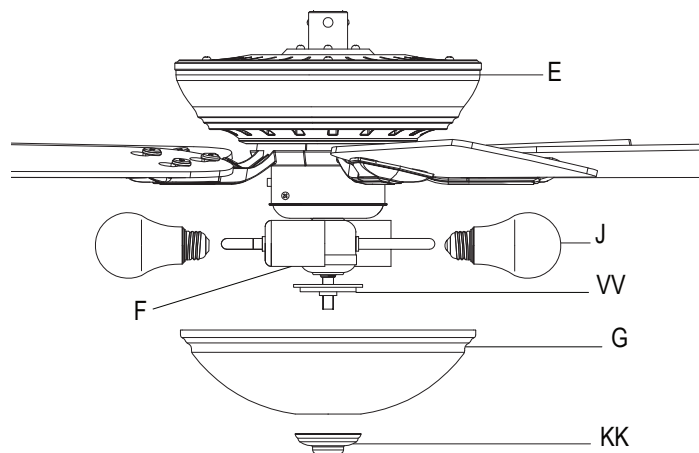


CAUTION: Make sure the power is off before attaching or removing the glass bowl.



WARNING: Allow the glass bowl to cool completely before removing.

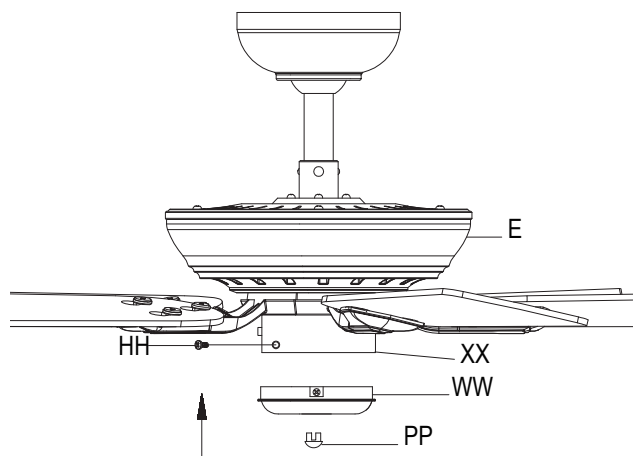
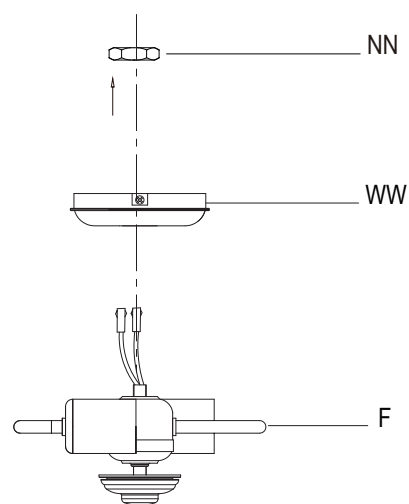
- Remove the glass bowl holder (KK) from the threaded nipple of the light kit fitter assembly (F).
- With the power off, install the two LED bulbs (J) by screwing them into the light bulb sockets.
- Position the glass bowl (G) over the threaded nipple and through the guide (VV).
- Install glass bowl holder (KK) to the threaded nipple to secure the glass bowl (G) properly.



Assembly - Attaching the Fan without the Light Kit

1 Assembling the fan without the light kit

- In order to use the fan without the light kit, remove the switch cap (WW) from the top of the light kit fitter assembly (F) by removing the center hex nut (NN) inside the switch cap (WW), and then thread the switch cap (WW) off the threaded nipple on the top of the light kit fitter assembly (F).
- Press the plastic plug (PP) (provided) into the center hole of the switch cap (WW).
- Remove and save the three light kit mounting screws (HH) on the switch cap (WW).
- Slide the switch cap (WW) into the switch housing (XX) and reinstall the three light kit mounting screws (HH).



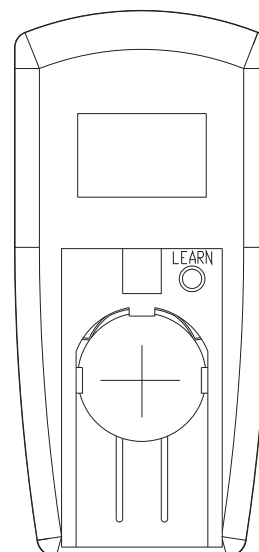
Preparing the Remote Control

Pairing the Remote Control



NOTE: The remote control has already been paired to the ceiling fan for your convenience. If you have two of the same model fans in your home, please follow the steps below to control each fan independently.

- ❑ Confirm that the power to the fan is off at either the wall switch or breaker box.
- ❑ Return power to the fan at the wall switch or breaker box.
- ❑ Install one 3V Lithium Battery (included).
- ❑ Press and release the “Learn” button located in the remote’s battery compartment within 30 seconds.
- ❑ If pairing is successful, the fan’s light kit will flash and the blades will begin to spin.

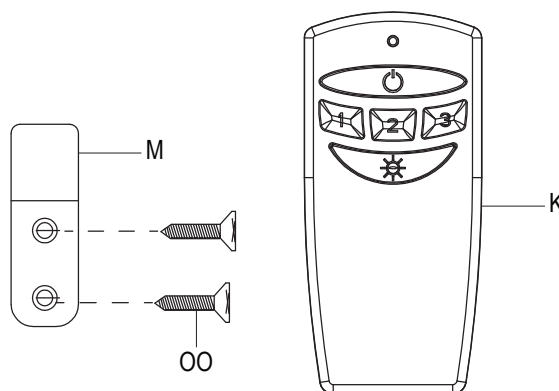


Assembly - Attaching the Wall Bracket (Optional)

Installing the remote control wall bracket

If desired, the wall bracket can be installed to house the remote control.

- ❑ Use the screws to secure the wall bracket at the desired mounting location.
- ❑ Rest the remote control into the wall bracket.



Operating Your Fan

Your fan is equipped with a remote control to operate the fan speed and lights of your new ceiling fan.

The appropriate speed settings for warm or cool weather depends on factors such as the room size, ceiling height, and number of fans.

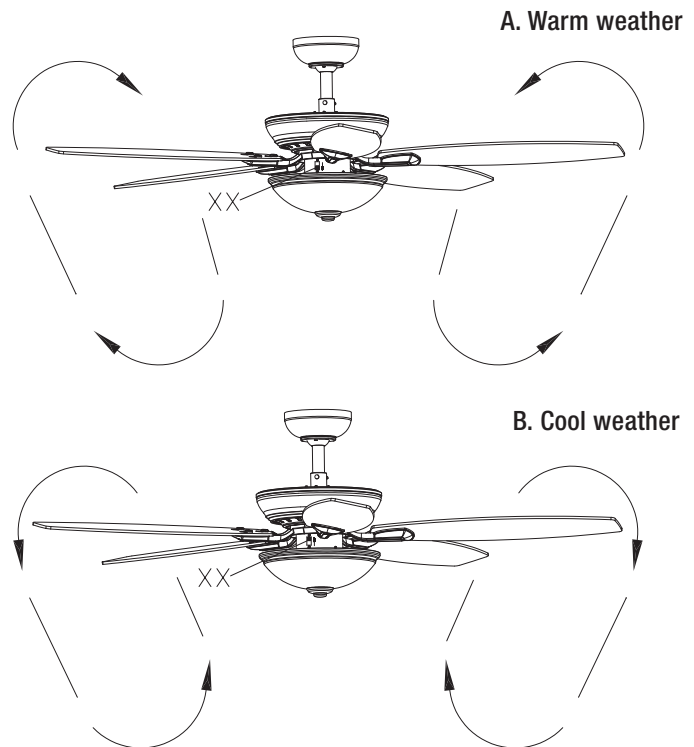
The fan is shipped from the factory with the reversing switch positioned to circulate air downward. If airflow is desired in the opposite direction, turn your fan off and wait for the blades to stop turning, then slide the reversing switch (XX) (located in switch cup) to the opposite position, and turn the fan on again. The fan blades will turn in the opposite direction and reverse airflow.



NOTE: Wait for the fan to stop before reversing the direction of the blade rotation.

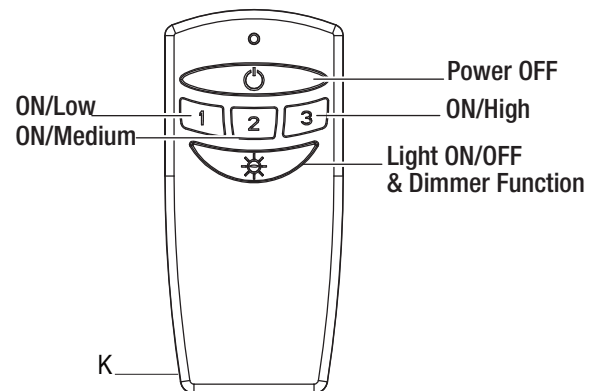
Warm weather - (Forward) A downward airflow creates a cooling effect. This allows you to set your air conditioner on a warmer setting without affecting your comfort.

Cool weather - (Reverse) An upward airflow moves warm air off of the ceiling. This allows you to set your heating unit on a lower setting without affecting your comfort.



USING THE REMOTE CONTROL

- Press the desired button on the remote control (J) to operate the fan:
 - “1” button: Press to turn the fan on and set the fan speed to low.
 - “2” button: Press to turn the fan on and set the fan speed to medium.
 - “3” button: Press to turn the fan on and set the fan speed to high.
 - Power button: Press to turn the fan off.
 - Light button: Press and release immediately to turn the light on or off. Press and hold to dim or brighten the bulbs to the desired level and then release (the dimmer function is for Tungsten bulbs only).



Care and Cleaning



WARNING: Make sure the power is off before cleaning your fan.

- Because of the fan's natural movement, some connections may become loose. Check the support connections, brackets, and blade attachments twice a year. Make sure they are secure. It is not necessary to remove the fan from the ceiling.
- Clean your fan periodically to help maintain its new appearance over the years. Do not use water when cleaning, as this could damage the motor, or the wood, or possibly cause an electrical shock. Use only a soft brush or lint-free cloth to avoid scratching the finish. The plating is sealed with a lacquer to minimize discoloration or tarnishing.
- You can apply a light coat of furniture polish to the wood for additional protection and enhanced beauty. Cover small scratches with a light application of shoe polish.
- You do not need to oil your fan. The motor has permanently-lubricated sealed ball bearings.

Troubleshooting

Problem	Solution
The fan will not start.	<ul style="list-style-type: none">□ Check the main and branch circuit fuses or breakers.□ Check to make sure the wall switch is in the on position if applicable.□ Check the line wire connections to the fan and switch wire connections in the switch housing.□ Check the battery in the transmitter.□ Ensure you are in the normal range of 10-20 feet.
The fan is noisy.	<ul style="list-style-type: none">□ Ensure all motor housing screws are snug.□ Ensure the screws that attach the fan blade bracket to the motor hub are tight.□ Ensure the wire nut connections are not rattling against each other or the interior wall of the switch housing.□ Allow a 24-hour "breaking in" period. Most noises associated with a new fan disappear during this time.□ If you are using the ceiling fan light kit, ensure the screws securing the glassware are tight. Check that the light bulbs are also secure.□ Ensure the canopy is a short distance from the ceiling. It should not touch the ceiling.
The fan wobbles.	<ul style="list-style-type: none">□ Check that all blade and blade arm screws are secure.□ Most fan wobble problems are caused when blade levels are unequal. Check this level by selecting a point on the ceiling above the tip of one of the blades. Measure from a point on the center of each blade to the point on the ceiling. Rotate the fan until the next blade is positioned for measurement. Repeat for each blade. Any measurement deviation should be within 1/8 in. Run the fan for ten minutes. If the fan continues to wobble please contact Customer Service and a balancing kit will be sent to you at no charge.

HOME DECORATORS COLLECTION

Questions, problems, missing parts? Before returning to the store,
call Home Depot Customer Service
8 a.m. - 7 p.m., EST, Monday-Friday, 9 a.m. - 6 p.m., EST, Saturday

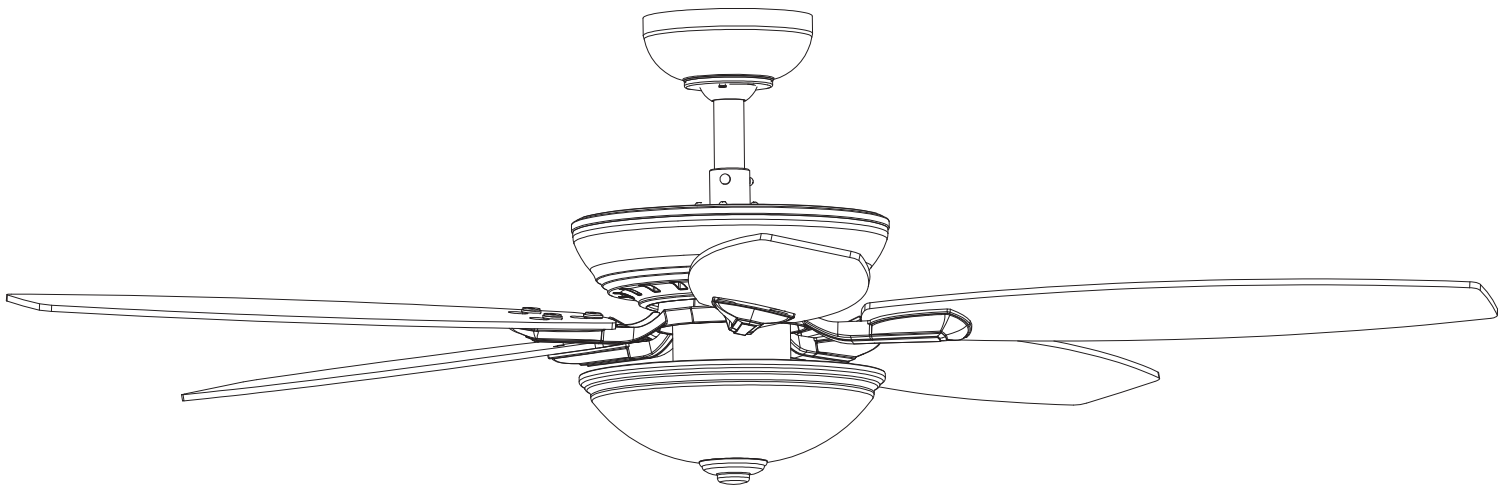
1-800-986-3460

[HOMEDEPOT.COM/HOMEDECORATORS](https://www.homedepot.com/homedecorators)

Retain this manual for future use.

GUÍA DE USO Y MANTENIMIENTO

VENTILADOR DE TECHO CONNOR, 54 PLG (1.3 M)

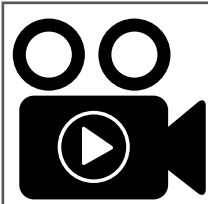


¿Preguntas, problemas o piezas en falta? Antes de devolver a la tienda,
llamar al servicio al cliente de Home Decorators Collection.

De lunes a viernes, entre 8:00 a.m. y 7:00 p.m. (Este), y los sábados de 9:00 a.m. a 6:00 p.m. (Este).

1-800-986-3460

HOMEDEPOT.COM/HOMEDECORATORS



To view an instructional video on how to install this product:

1. Go to www.homedepot.com and enter either the Item or Model number, found in the top right corner of the cover of this instruction manual, in the search field.
2. Click on your product from the list of search results and click on the video link in the "Product Overview" section.

GRACIAS POR COMPRAR

Apreciamos la plena confianza depositada en Home Decorators Collection al comprar este ventilador de techo. Nos esforzamos en crear continuamente productos de calidad diseñados para mejoras del hogar. Visítanos por Internet para ver nuestra línea completa de productos disponibles a fin de satisfacer la necesidades de mejoras de tu hogar. ¡Gracias por elegir Home Decorators Collection!

Tabla de contenido

Tabla de contenido	2	Ensamblaje.....	7
Información de seguridad.....	2	Funcionamiento	14
Garantía	3	Mantenimiento y limpieza.....	16
Preinstalación	3	Solución de problemas	16
Instalación.....	6		

Información de seguridad

LEE Y GUARDA ESTAS INSTRUCCIONES.

1. Para disminuir el riesgo de descarga eléctrica hay que garantizar el corte de electricidad en el cortacircuitos o en la caja de fusibles antes de comenzar.
2. Todo el cableado tiene que cumplir con el Código Nacional de Electricidad ANSI/NFPA 70 y con los códigos locales correspondientes. La instalación eléctrica debe hacerse por un electricista calificado con licencia.
3. La caja eléctrica y la estructura de soporte tienen que montarse de forma segura para poder sostener con confianza 35 lb (15.9 kg). Usar solo cajas eléctricas aprobadas por UL y marcadas como “apropiadas para sostener ventiladores de 35 lb (15.9 kg) o menos”.
4. El ventilador tiene que montarse con separación mínima de 7 pies (2.1 m) entre sus bordes de salida y el piso.
5. No usar el interruptor de reversa mientras las aspas del ventilador estén en movimiento. Tienes que apagar el ventilador y detener las aspas antes de invertir su sentido de giro.
6. No colocar objetos en la trayectoria de las aspas.
7. Para evitar lesiones personales o daños al ventilador y otros artículos, hay que tener cuidado al limpiarlo o al trabajar cerca de él.
8. Los diagramas eléctricos son sólo para referencia. Los kits de luces no empacutados con el ventilador tienen que estar aprobados por UL y marcados como apropiados para usar con el modelo de ventilador que se instala. Los interruptores tienen que estar clasificados de uso general por UL. Para ensamblar bien hay que consultar las instrucciones adjuntas a los kits de luces e interruptores.
9. Después de hacer las conexiones eléctricas, los conductores empalmados deben voltearse hacia arriba y empujarse con cuidado hacia dentro de la caja eléctrica. Los cables deben quedar separados, con el cable y el conductor a tierra del equipo hacia uno de los lados de la caja eléctrica y el conductor sin conexión a tierra hacia el lado opuesto.
10. Antes de instalar, todos los tornillos de fijación tienen que comprobarse y reajustarse donde sea necesario.



ADVERTENCIA: Para reducir el riesgo de lesiones personales, no dobles los soportes de las aspas (también llamados “bridas”) durante ni después de la instalación. No colocar objetos en la trayectoria de las aspas.



ADVERTENCIA: Para evitar una posible descarga eléctrica hay que desconectar la electricidad en la caja principal de fusibles antes cablear. En caso de no tener suficiente experiencia o conocimientos sobre cableado eléctrico, hay que contratar a un electricista con licencia.



ADVERTENCIA: Los diagramas eléctricos son solo para referencia. Cualquier juego de luces opcional debe estar aprobado por UL y marcado como adecuado para usar con este ventilador.



PRECAUCIÓN: Para reducir el riesgo de lesiones personales hay que usar sólo los tornillos incluidos con la caja eléctrica.



PRECAUCIÓN: Los cambios o modificaciones sin previa aprobación expresa de la parte responsable de su cumplimiento podrían anular el derecho del usuario a operar el equipo.



PRECAUCIÓN: NO usar este ventilador con control de pared ni con interruptor provisto de regulador de intensidad luminosa. Usar un control de pared o un interruptor con regulador de intensidad luminosa dañará este ventilador.

Este equipo ha sido comprobado y se determinó que cumple con los límites establecidos para un dispositivo digital Clase B, de acuerdo con la Parte 15 de las Normas FCC. Estos límites fueron establecidos para dar protección razonable contra la interferencia dañina en uso residencial. Este equipo genera, consume y puede irradiar energía de radiofrecuencia; si no se instala y usa de acuerdo con las instrucciones, puede causar interferencia nociva a comunicaciones radiales. Sin embargo, no hay garantía de que no ocurrirá interferencia en cierta instalación particular. Si este equipo causa interferencia perjudicial a la recepción de radio o televisión, que puede determinarse encendiendo y apagando el equipo, se recomienda al usuario tratar de corregir la interferencia con una o más de las siguientes medidas:

- Reorientar o reubicar la antena receptora.
- Incrementar la distancia entre los equipos y el receptor.
- Conectar el equipo a un tomacorriente en circuito distinto del receptor.
- Consultar para ayuda al concesionario o a un técnico de radio/TV con experiencia.

PRECAUCIÓN:

Los cambios o modificaciones sin aprobación expresa del responsable de este dispositivo podrían anular el derecho del usuario a operar el equipo.

Este dispositivo cumple con la Parte 15 de las Normas FCC. Su operación está sujeta a las dos condiciones siguientes: (1) Este dispositivo no debe causar interferencia dañina y (2) tiene que aceptar cualquier interferencia, incluso aquella que pudiera afectar su funcionamiento.

Garantía

El proveedor garantiza de por vida, a partir de la fecha de adquisición por el comprador original, que el motor del ventilador no presenta defectos de fabricación ni de materiales al momento del envío desde la fábrica. El proveedor también garantiza, por dos años a partir de la fecha de adquisición por el comprador original, que todas las demás piezas del ventilador, excepto las aspas de vidrio o acrílicas, no presentarán ningún defecto de fabricación ni de material al momento del envío desde la fábrica. Si el producto es devuelto, aceptamos reparar sus defectos sin cargo alguno o, a nuestra discreción, reemplazarlo por modelo similar o superior. Para obtener servicio de garantía tiene que presentarse una copia del recibo como comprobante de compra. Todos los costos de retiro y reinstalación del producto correrán por cuenta del cliente. No están cubiertos por esta garantía los daños a ninguna de las piezas como resultado de accidente, instalación o uso incorrectos, ni por fijación de cualquier accesorio. Puesto que las condiciones climáticas pueden variar, esta garantía no cubre ningún cambio del acabado en latón, como óxido, perforación, corrosión, manchas o descascamiento. Este tipo de acabados en latón alargan la vida útil al proteger contra las condiciones climáticas cambiantes. Cierta "oscilación" es normal y no debe considerarse un defecto. Cualquier servicio prestado por personal no autorizado invalidará la garantía. No hay ninguna otra garantía expresa. Por este medio Home Depot Decorators Collection se exime de cualquier garantía en el alcance permitido por la ley, incluso pero sin limitarse a, aquellas de comercialización e idoneidad para determinado propósito. La duración de cualquier garantía implícita que no pueda exonerarse se limita al período especificado en la garantía explícita. Algunos estados no permiten limitar la duración de la garantía, así que la limitación anterior pudiera no aplicarse a su caso. El minorista no será responsable por daños directos, indirectos o especiales que resulten o deriven del uso o funcionamiento del producto, excepto en los casos que pudieran estar estipulados de otro modo por ley. Algunos estados no permiten excluir ni limitar daños directos o indirectos, así que la limitación o exclusión anterior pudiera no aplicarse a su caso. Esta garantía otorga derechos legales específicos y es posible que usted tenga también otros derechos, que varían de un estado a otro. Esta garantía sustituye todas las garantías anteriores. Los costos de envío en cualquier devolución de productos como parte de una reclamación de garantía corren por cuenta del cliente.

Comuníquese con el equipo de servicio al cliente por el 1-800-986-3460 o visite www.HomeDepot.com/homedecorators.

Preinstalación

ESPECIFICACIONES

Tamaño	Velocidad	Voltios	Vatios	Amperios	RPM	CFM	Peso neto	Peso bruto	Pies cúbicos
54 plg (137 cm)	Baja	120	13	0.27	53	2527	18.30 lb (8.3 kg)	20.72 lb (9.4 kg)	1.77 pies ³ (0.05 m ³)
	Media		29	0.39	98	3733			
	Alta		65	0.54	140	5065			



NOTA: Estas medidas son aproximadas. No incluyen el amperaje ni el vataje consumido por el kit de luces.



HERRAMIENTAS NECESARIAS



Destornillador
Phillips



Destornillador
plano



Llave
ajustable



Cinta de
electricista



Cortacables



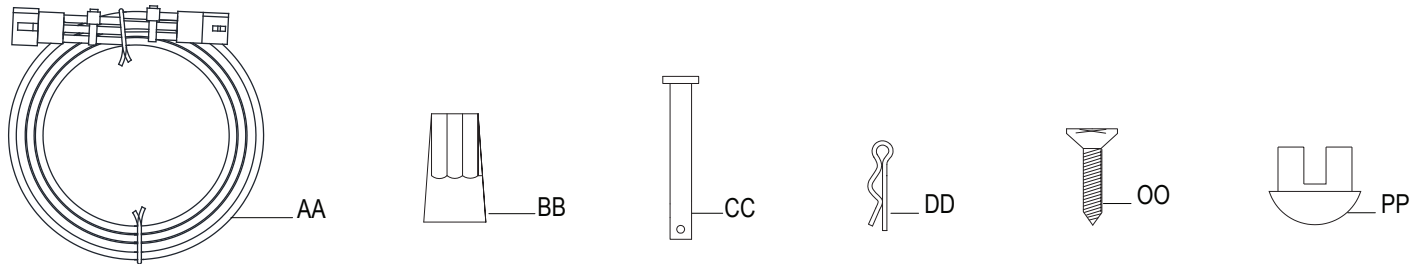
Escalera de tijera

Preinstalación (continuación)

SE INCLUYEN LOS HERRAJES



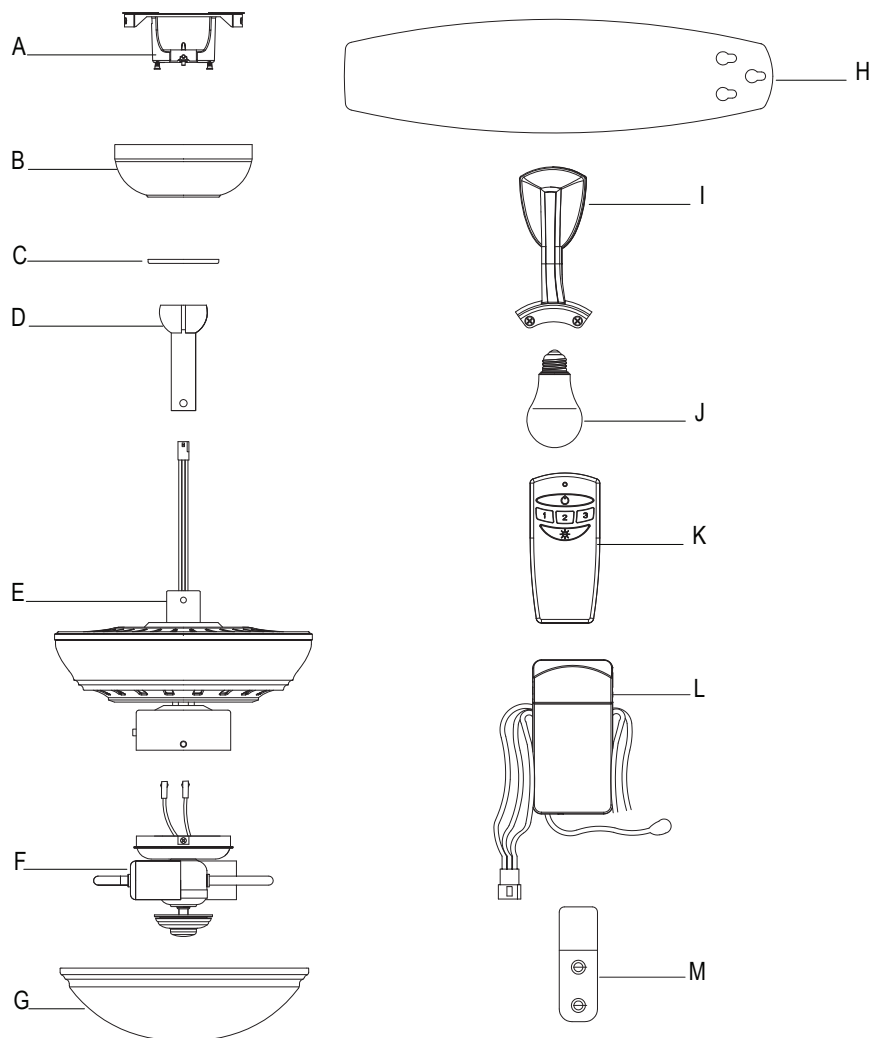
NOTA: Los herrajes no se muestran en tamaño real.



Pieza	Descripción	Cantidad
AA	Cable conductor	1
BB	Conector plástico para cables	3
CC	Pasador de soporte	1
DD	Pasador de cierre	1
OO	Tornillo para el soporte de pared	2
PP	Conector	1

Preinstalación (continuación)

CONTENIDO DEL PAQUETE



Pieza	Descripción	Cantidad
A	Soporte de montaje deslizante (dentro de la cubierta)	1
B	Cubierta	1
C	Tapa del fondo de la cubierta	1
D	Conjunto del tubo bajante/bola	1
E	Conjunto motor-ventilador	1
F	Conjunto del soporte del kit de luces	1
G	Tazón de vidrio	1

Pieza	Descripción	Cantidad
H	Aspa	5
I	Brazo del aspa	5
J	Bombilla LED	2
K	Control remoto (incluye batería)	1
L	Receptor	1
M	Soporte de pared	1



IMPORTANTE: Este producto y/o sus componentes están protegidos por una o más de las siguientes patentes de los EE. UU.: 5,947,436; 5,988,580; 6,010,110; 6,046,416, 6,210,117, así como otras patentes pendientes.

OPCIONES DE MONTAJE

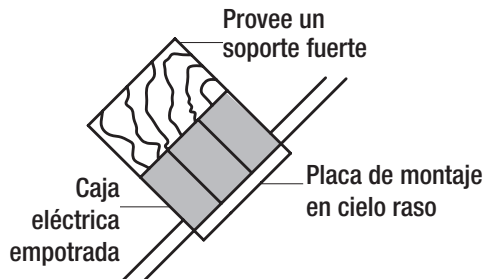
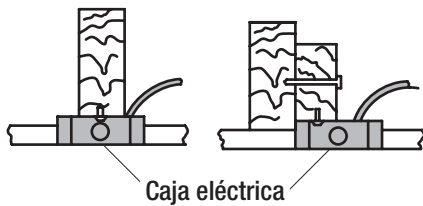
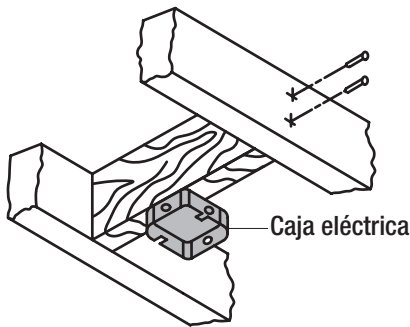


ADVERTENCIA: Para reducir el riesgo de incendio, descarga eléctrica o lesiones personales, instalar en una caja eléctrica clasificada como "apropiada para sostener ventiladores de 35 lb (15.9 kg) o menos" y usar los tornillos que vienen con ella. Una caja eléctrica utilizada comúnmente para soporte de lámparas puede no servir como soporte de ventilador y tal vez deba reemplazarse. En caso de duda, consultar a un electricista calificado.

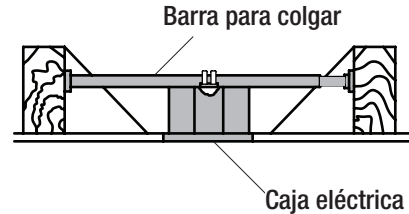
Si el ventilador de techo no tiene una caja de montaje aprobada por UL, instalar una siguiendo las instrucciones a continuación:

- Desconectar la energía retirando los fusibles o apagando los cortacircuitos.
- Asegurar la caja eléctrica directamente a la estructura de la edificación. Usar los sujetadores y materiales apropiados. La caja eléctrica y su soporte tienen que ser aptos para sostener completamente el peso en movimiento del ventilador (al menos 35 lb = 15.9 kg). No usar una caja eléctrica de plástico.

Las ilustraciones más abajo muestran tres formas distintas de montar la caja eléctrica.



NOTA: Tal vez necesites un tubo bajante más largo para mantener la altura mínima adecuada de las aspas al instalar el ventilador en un techo muy inclinado. El ángulo máximo permitido es 30° desde la horizontal.



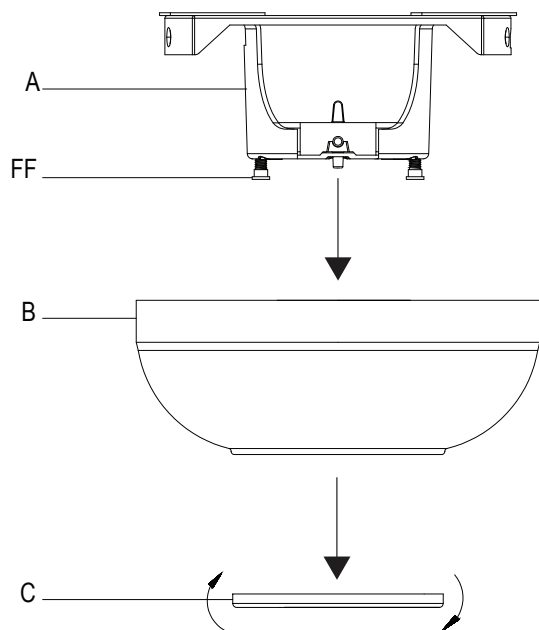
Si la cubierta (B) toca el conjunto del tubo-bola bajante (D), hay que retirar la tapa inferior decorativa (C) de la cubierta y girar esta (B) 180° antes de fijarla (B) a la placa de montaje.

Para colgar el ventilador donde hay una lámpara, pero ninguna viga de techo, tal vez se necesite una barra colgante como se muestra más arriba (disponible en cualquier tienda de The Home Depot).

Ensamblaje - Montaje estándar en techo

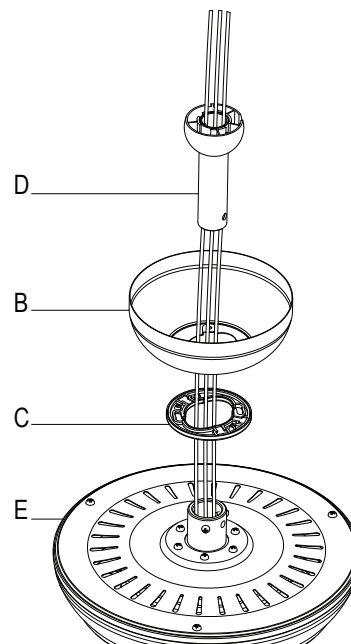
1 Preparación para montaje estándar

- Retirar la tapa inferior (C) de la cubierta (B) girándola hacia la izquierda hasta liberarla.
- Aflojar los dos tornillos de la cubierta (FF) en la parte inferior del soporte de montaje (A) y girar la cubierta hacia la izquierda para quitarla (A) de esta (B).



2 Cómo tender los cables

- Insertar los cables que salen por la parte superior del conjunto motor-ventilador (E) a través del centro de la tapa inferior de la cubierta (C).
- Asegurar que la abertura de la cubierta (B) esté sobre la parte superior e insertar el tubo bajante/bola (D) a través de aquella (B).
- Insertar los cables que salen por la parte superior del conjunto motor-ventilador (E) a través del tubo bajante, como se muestra.

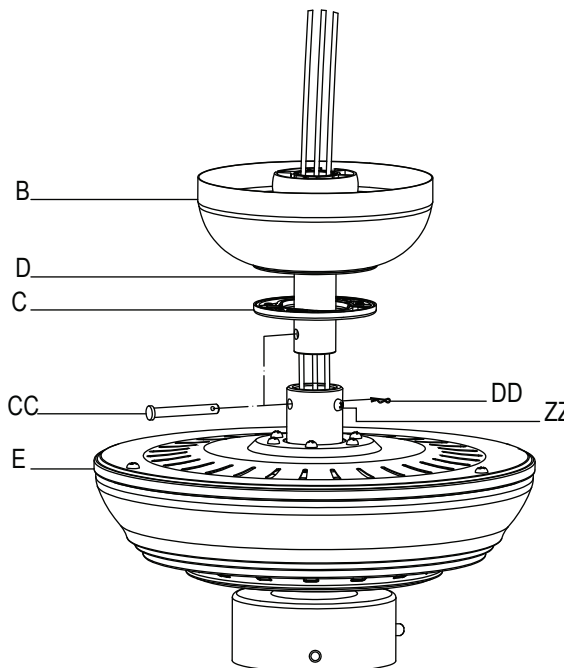


3 Cómo ensamblar el ventilador



ADVERTENCIA: Si no se instala correctamente el pasador de cierre, es posible que el ventilador se afloje y se caiga.

- Aflojar, sin quitarlos, los 2 tornillos de fijación (ZZ) del collarín en la parte superior de la carcasa de motor (E).
- Alinear los orificios en la parte inferior del tubo bajante (D) con aquellos del collarín en la parte superior de la carcasa de motor (E).
- Insertar con cuidado el pasador de soporte (CC) a través de los orificios del collarín y del tubo bajante (D). Tener cuidado de no apretar el pasador de soporte (CC) contra el cableado dentro del tubo bajante (D).
- Insertar el pasador de cierre (DD) en el orificio cercano al extremo del pasador de soporte (CC) hasta quedar bloqueado en su posición.
- Volver a apretar los 2 tornillos de fijación (ZZ) del collarín en la parte superior de la carcasa de motor (E).



Ensamblaje - Cómo colgar el ventilador

1 Cómo fijar el ventilador a la caja eléctrica

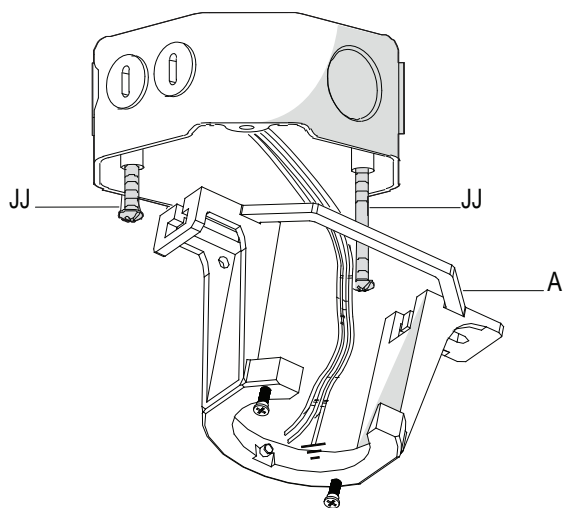


ADVERTENCIA: Para reducir el riesgo de incendio, descarga eléctrica o lesiones personales, instalar sólo en una caja eléctrica o sistema de soporte clasificado como "apropiado para sostener ventiladores de 35 lb (15.9 kg) o menos", y usar sólo los tornillos de montaje incluidos con la caja eléctrica.



NOTA: El soporte de montaje (A) está diseñado para deslizarse en su lugar sobre una caja eléctrica con los tornillos de esta (JJ).

- Pasar los cables de suministro de 120 V a través del orificio central en el soporte de montaje deslizante (A).
- Instalar el soporte de montaje de techo deslizante (A) sobre la caja eléctrica deslizando aquel (A) sobre los dos tornillos (JJ) incluidos con la caja. Si es necesario, usar arandelas niveladoras (no incluidas) entre el soporte de montaje deslizante (A) y la caja eléctrica. El lado plano del soporte de montaje deslizante (A) tiene que quedar apuntando hacia la caja eléctrica.
- Ajustar firmemente los dos tornillos de montaje (JJ).

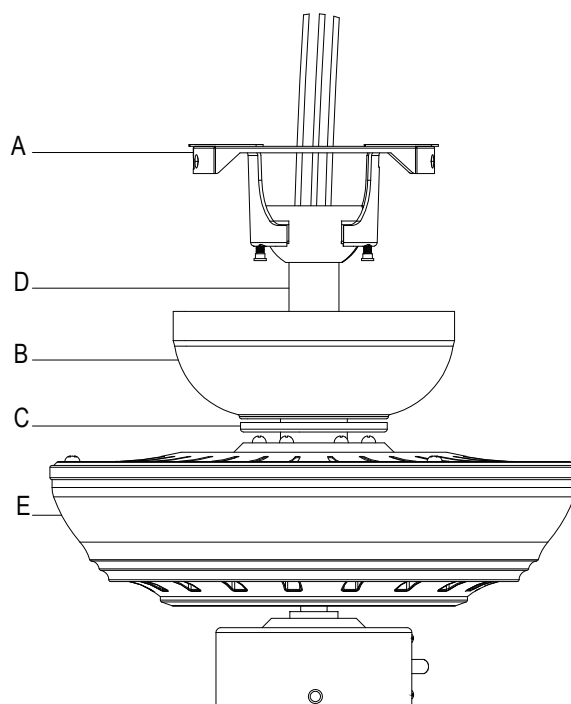


2 Cómo colgar el ventilador



ADVERTENCIA: Al usar el conjunto del tubo bajante/bola estándar, la pestaña en el aro en la parte inferior del soporte de montaje tiene que encajar en la ranura de la bola de soporte. Si la pestaña no queda bien asentada en la ranura, el ventilador pudiera afrontar problemas de bamboleo y dañarse el cableado.

- Hay que levantar con cuidado el conjunto motor-ventilador (E) hasta el soporte de montaje deslizante (A).
- Colocar la bola de soporte del conjunto del tubo bajante/bola (D) en el casquillo del soporte de montaje. Asegurar que la pestaña en el casquillo del soporte de montaje deslizante (A) encaje bien dentro de la ranura de la bola de soporte.



Ensamblaje - Cómo colgar el ventilador (continuación)

3 Cómo instalar el receptor

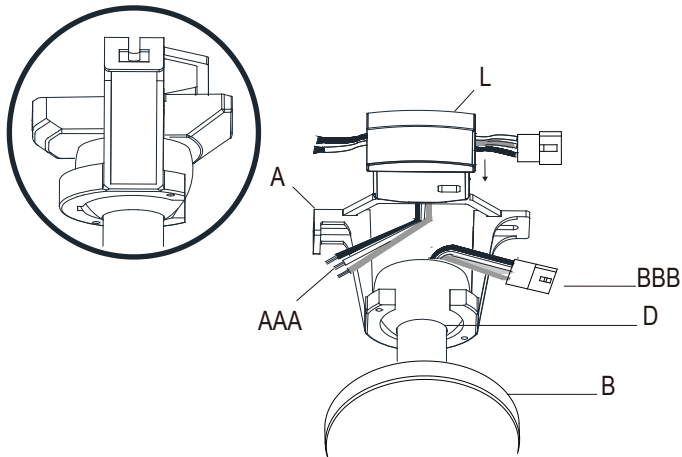


ADVERTENCIA: Para reducir el riesgo de incendio o de descarga eléctrica, recuerda desconectar la electricidad. El cableado eléctrico tiene que cumplir todos los requisitos de los códigos eléctricos nacionales y locales. La fuente de energía y el ventilador tienen que ser de 110/120 V y 60 Hz. No utilizar este producto con ningún control variable de pared. Conectar el cableado de manera incorrecta dañará este receptor.



PRECAUCIÓN: No sumergir en agua. No halar ni recortar los cables terminales del receptor. No dejar caer ni golpear la unidad.

- Colocar los cables de suministro doméstico (AAA) a un lado del soporte de montaje deslizante (A) y los cables del ventilador (BBB), en el lado opuesto.
- Insertar el extremo angosto del receptor (L) —como se muestra, con el lado plano hacia el techo— en el soporte de montaje deslizante (A) hasta dejarlo apoyado en la parte superior del conjunto tubo bajante/bola.



4 Cómo cablear el receptor al cableado del hogar



ADVERTENCIA: Para evitar una posible descarga eléctrica hay que desconectar la electricidad en la caja principal de fusibles antes de cablear. En caso de no tener suficiente conocimiento o experiencia sobre cableado eléctrico, contactar a un electricista certificado.

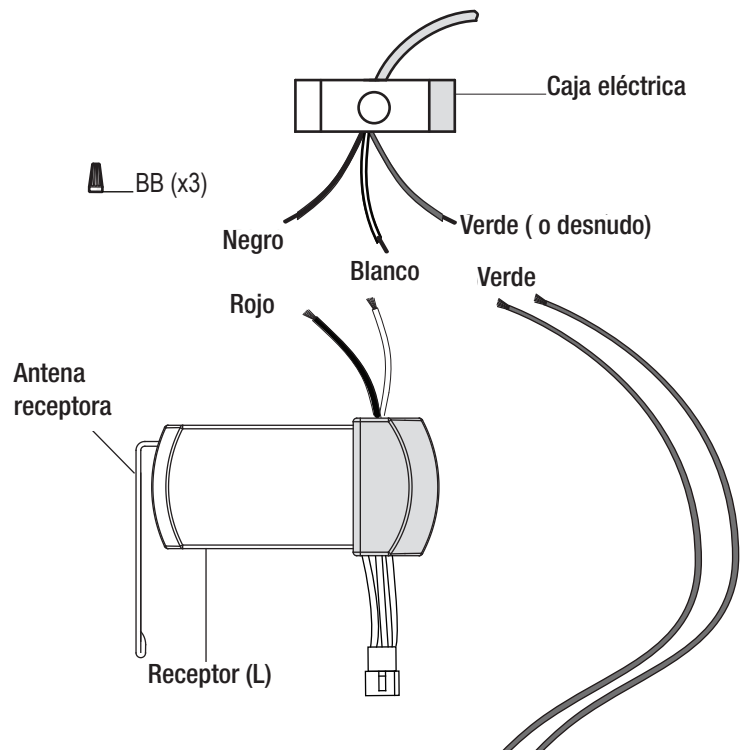


ADVERTENCIA: Cada tuerca para cable suministrada con este ventilador está diseñada para aceptar un cable doméstico de calibre 12 o menos y dos cables del ventilador. Si el cableado doméstico excede del calibre 12 o tiene más de un cable para conectar al cableado del ventilador, consultar a un electricista para determinar el tamaño adecuado de las tuercas a usar.



IMPORTANTE: Usar las tuercas de conexión de cables (BB) que vienen con el ventilador. Sujetar los conectores con cinta de electricista y garantizar que no haya conexiones ni cables sueltos.

- Separar los cables de manera que los cables verde y blanco queden a un lado de la caja eléctrica y el cable negro, al otro lado.
- Conectar los cables verdes del ventilador al cable con conexión a tierra del hogar (puede ser verde o pelado) con una tuerca de conexión de cables (BB).
- Conectar el cable rojo del receptor (L) al cable negro (positivo) del hogar con una tuerca de conexión de cables (BB).
- Conectar el cable blanco del receptor (L) al cable blanco (neutro) del hogar con una tuerca de conexión de cables (BB).
- Asegurar cada tuerca de conexión de cables con cinta de electricista.



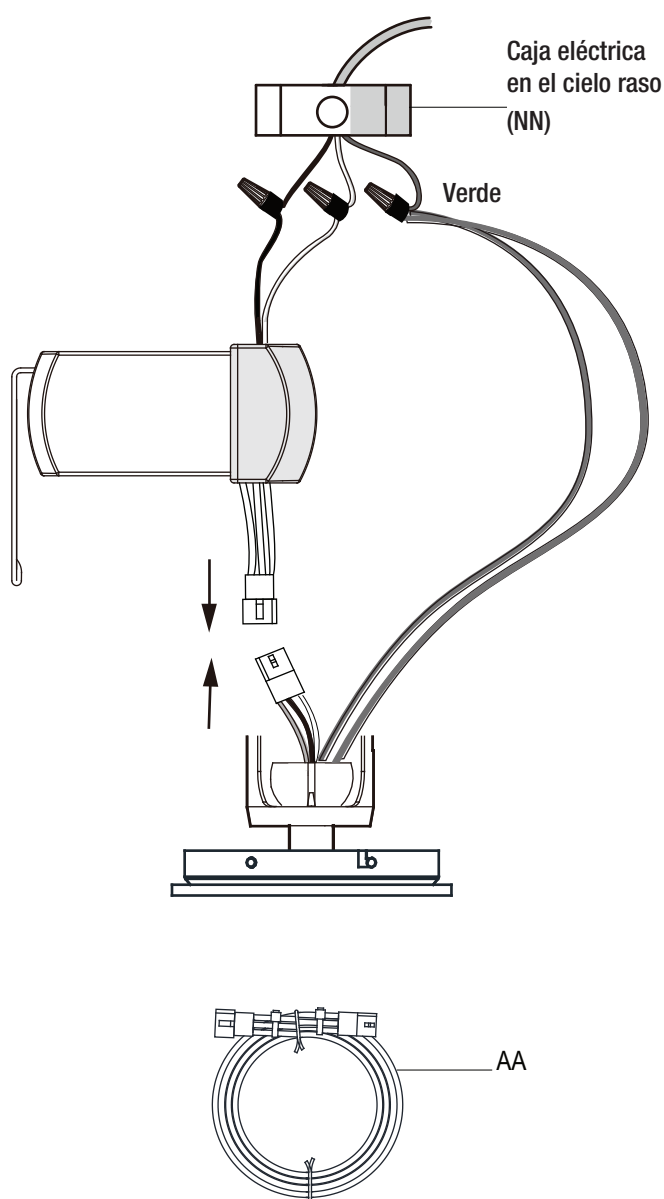
Ensamblaje - Cómo colgar el ventilador (continuación)

5 Cómo cablear el ventilador al receptor



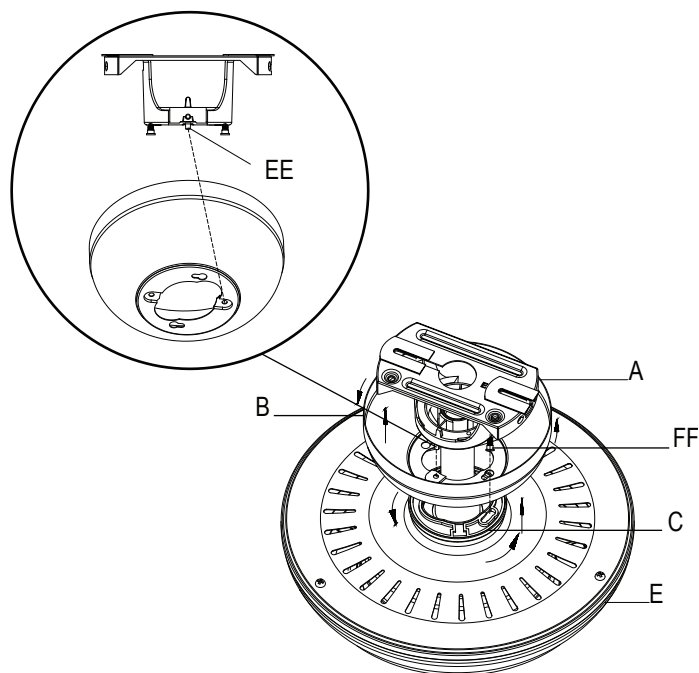
NOTA: El ventilador viene con cables terminales de 12 plg (30.5 cm) para usar con el conjunto del tubo bajante/bola (D) de 4.5 plg (11.4 cm); si se desea un tubo bajante más largo, puede usarse la extensión de cable conector de 42 plg (1.07 m) incluida.

- Al usar el conjunto del tubo bajante/bola (D) de 4.5 plg (11.4 cm) incluido, hay que conectar los cables del receptor a los cables del ventilador uniendo el enchufe del adaptador moldeado del receptor (L) con el adaptador moldeado del conjunto motor-ventilador (E).
- Si se desea un tubo bajante más largo, puede usarse la extensión de cable conductor (A) de 42 plg (1.07 m) incluida conectando el adaptador moldeado.



6 Cómo montar la cubierta

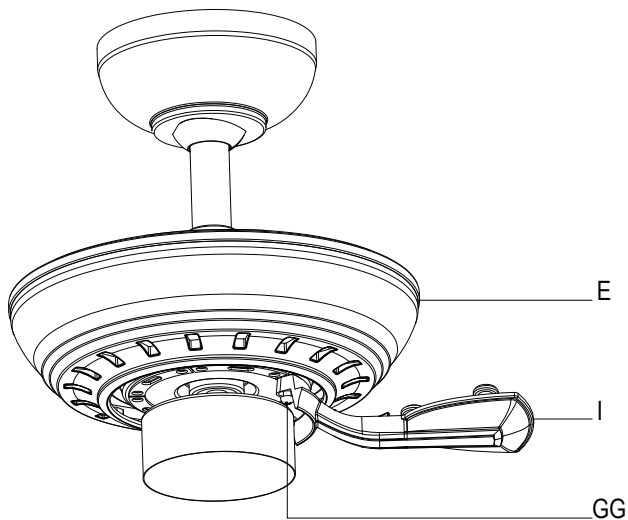
- Alinear las ranuras de cierre de la cubierta (B) con los dos tornillos (FF) y el poste de alineación (EE) del soporte de montaje (A).
- Empujar hacia arriba la cubierta (B) y girarla hacia la derecha hasta que el poste de alineación (EE) se enganche en el orificio redondo y los tornillos (FF) en las ranuras tipo ojo de cerradura.
- Apretar firmemente los dos tornillos de montaje (FF).
- Instalar la tapa inferior decorativa (C) alineando sus ranuras con los tornillos en la parte inferior de la cubierta (B). Girar la tapa inferior (C) hacia la derecha para fijarla en su lugar.



Ensamblaje – Cómo montar las aspas

1 Cómo montar el soporte de aspas

- Ajustar el soporte del aspa (I) al motor (E) insertando el poste de alineación dentro de la ranura de la parte inferior del conjunto motor-ventilador (E) y ajustando los tornillos del motor (GG), que están preensamblados, al soporte de aspa (I).
- Repetir este procedimiento con los restantes soportes de aspas (I).

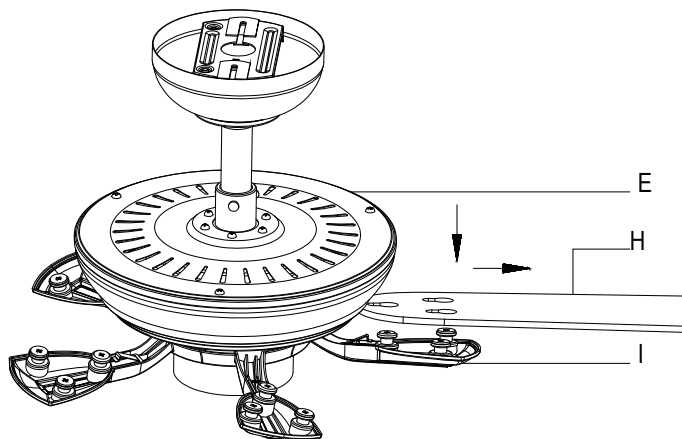


2 Cómo fijar las aspas del ventilador



NOTA: Este ventilador viene con aspas QuickInstall™ para su rápida y fácil instalación.

- Montar el aspa del ventilador (H) a su soporte (I) alineando los tres orificios tipo ojo de cerradura en aquella (H) con los tres postes de la parte superior de este (I).
- Sostener el aspa (H) cerca de su soporte (I) y presionarla (H) hacia abajo con firmeza. Asegurar que los orificios tipo ojo de cerradura queden bien apoyados sobre los postes del brazo del aspa.
- Mientras se sujeta el aspa (H), deslizarla (H) hacia el lado opuesto del soporte (I) con firmeza hasta que aquella (H) se acople al mecanismo de cierre.
- Asegurar que el mecanismo de cierre en la parte posterior del soporte del aspa (I) se eleve y tope contra el borde de esta (H) para indicar así conexión segura.
- Revisar la parte superior del soporte del aspa (I) para garantizar que el mecanismo de cierre esté asegurado en su lugar.
- Repetir el procedimiento para las restantes aspas (H).



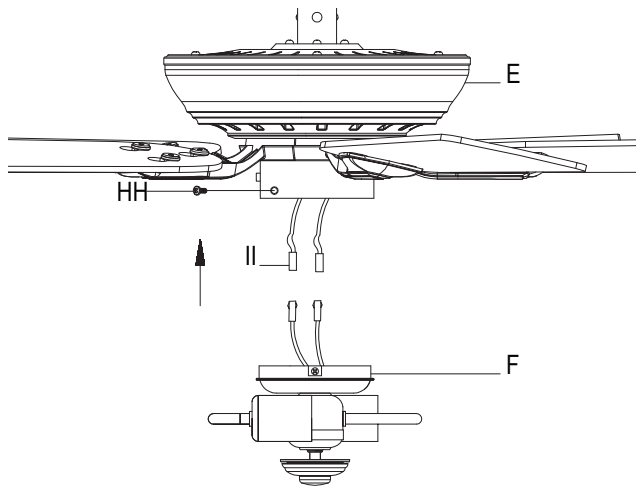
Ensamblaje - Cómo instalar el kit de luces

1 Cómo instalar el kit de luces



PRECAUCIÓN: Para disminuir el riesgo de descarga eléctrica, desconectar el circuito de energía del ventilador antes de instalar el kit de luces.

- Quitar y guardar los tres tornillos (HH) del conjunto del soporte del kit de luces (F).
- Conectar los cables que salen de la parte inferior del ensamblaje del motor (E) uniéndolos a los enchufes de adaptador moldeado (II) (azul con azul, blanco con blanco).
- Deslizar el conjunto del kit de luces (F) dentro de la carcasa del interruptor y asegurarlo con los tres tornillos (HH) que se quitaron en el primer paso.



2 Cómo instalar el tazón de vidrio

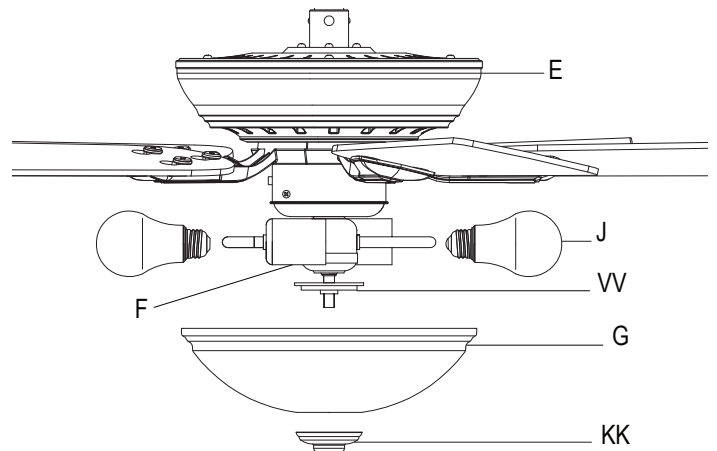


PRECAUCIÓN: Asegurar que la corriente esté cortada antes de montar o retirar el tazón de vidrio.



ADVERTENCIA: Esperar que el tazón de vidrio se enfríe completamente antes de retirarlo.

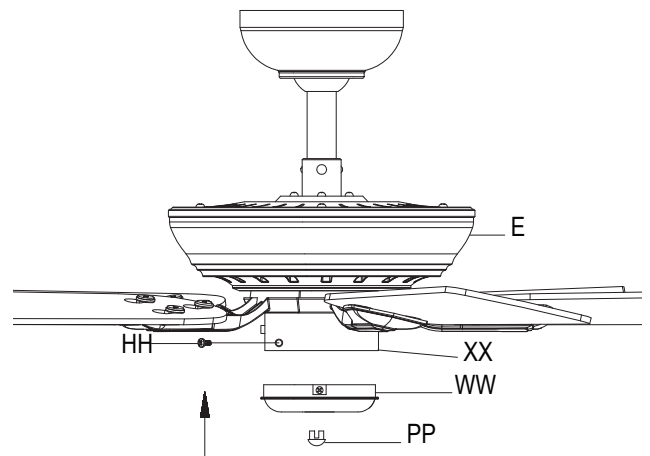
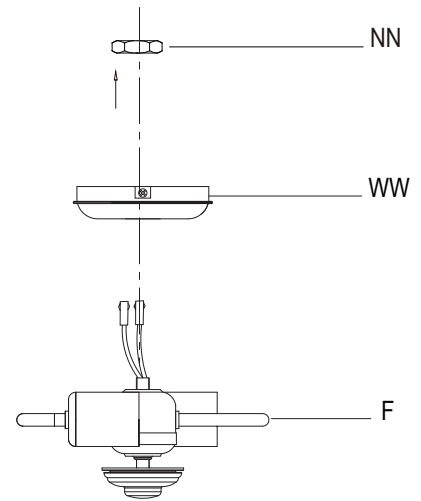
- Retira el soporte del tazón (KK) del ensamblaje del soporte del kit de luces (F).
- Con la electricidad apagada, instala las dos bombillas LED (J), enroscándolas en los portabombillas.
- Colocar el tazón de vidrio (G) sobre la boquilla roscada y a través de la guía (VV).
- Instala el soporte del tazón (KK) a la boquilla roscada para asegurar bien el tazón de vidrio (G).



Ensamblaje - Cómo instalar el ventilador sin el kit de luces

1 Cómo ensamblar el ventilador sin el kit de luces

- Para usar el ventilador sin el kit de luces, retirar la cubierta de la caja del interruptor (WW) de la parte superior del conjunto del soporte del kit de luces (F) quitando la tuerca hexagonal del centro (NN) dentro de dicha cubierta (WW) y desenroscándola (WW) de la boquilla roscada en la parte superior del conjunto del soporte del kit de luces (F).
- Presionar el tapón plástico (PP) incluido dentro del orificio central de la cubierta de la caja del interruptor (WW).
- Quitar y guardar los tres tornillos de montaje del kit de luces (MM) de la cubierta de la caja del interruptor (WW),
- Deslizar la cubierta de la caja del interruptor (WW) dentro de la carcasa de este (XX) y volver a instalar los tres tornillos de montaje del kit de luces (HH).



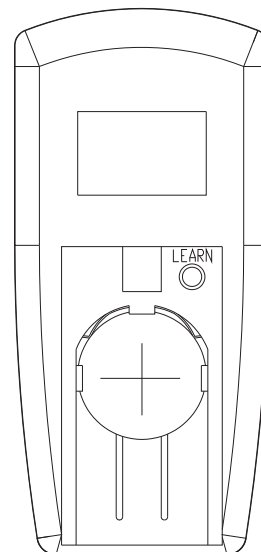
Cómo preparar el control remoto

Cómo configurar el control remoto



NOTA: El control remoto ya ha sido configurado con el ventilador de techo para tu conveniencia. Si tienes dos ventiladores del mismo modelo en tu hogar, sigue los pasos más abajo para controlar cada ventilador por separado.

- Confirmar que la electricidad del ventilador está desconectada en el interruptor de pared o en la caja de cortacircuitos.
- Conectar la electricidad al ventilador usando el interruptor de pared o en la caja de cortacircuito.
- Instala una batería litio de 3V (incluida).
- Presionar y soltar el botón "Learn" en el compartimiento de la batería del control remoto antes de transcurrir 30 segundos.
- Si la configuración es exitosa, el kit de luces del ventilador parpadeará y las aspas comenzarán a girar.

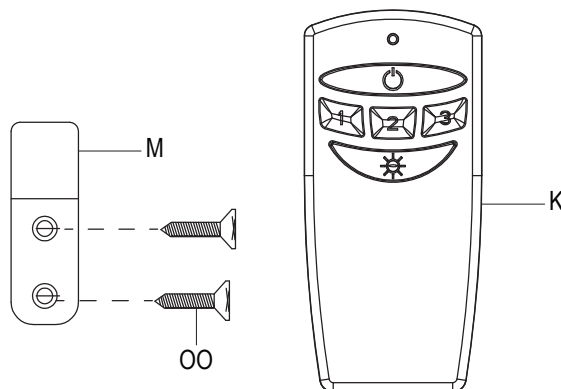


Ensamblaje - Cómo fijar el soporte en la pared (Opcional)

Cómo instalar el soporte de pared del control remoto

Si se desea, puede instalarse un soporte en la pared para el control remoto.

- Usar los tornillos para asegurar el soporte en el lugar deseado para el montaje en la pared.
- Colocar el control remoto dentro del soporte en la pared.



Cómo usar el ventilador

El ventilador está equipado con un control remoto que controla la velocidad y las luces de tu nuevo ventilador de techo.

Las configuraciones de velocidad apropiadas para clima cálido o frío dependen de factores como tamaño de la habitación, altura del techo y cantidad de ventiladores.

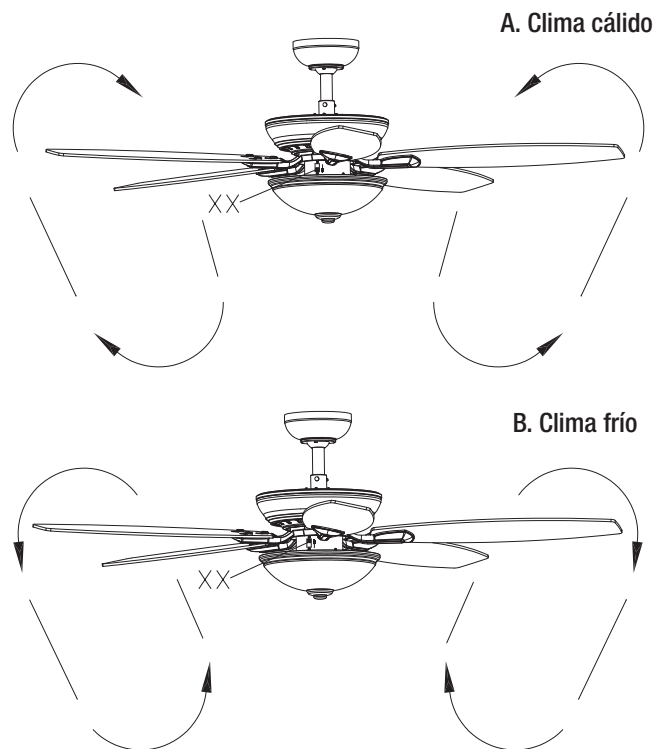
El ventilador se envía desde la fábrica con el interruptor de reversa en posición de hacer circular el aire hacia abajo. Si se desea el flujo de aire en sentido contrario, apagar el ventilador y esperar que las aspas se detengan. Enseguida deslizar el interruptor de reversa (XX), ubicado en la caja del interruptor, hacia el sentido opuesto y volver a encender el ventilador. Las aspas del ventilador girarán en sentido contrario e invertirán el flujo del aire.



NOTA: Esperar a que se detenga el ventilador antes de invertir el sentido de giro de las aspas.

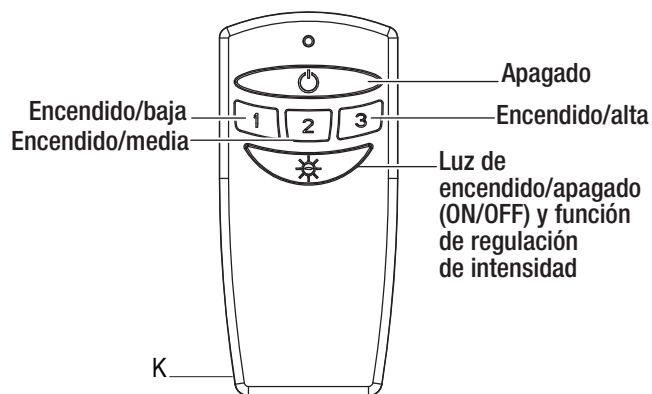
Clima cálido - (Hacia adelante) Un flujo de aire descendente surte efecto refrescante. Esto permite configurar el equipo de aire acondicionado a temperatura más alta sin afectar el confort.

Clima frío - (Reversa) Un flujo de aire hacia arriba desplaza el aire cálido del cielo raso. Esto te permite fijar la unidad de calefacción en configuración más baja sin afectar el confort.



CÓMO USAR EL CONTROL REMOTO

- Oprime el botón deseado del control remoto (J) para usar el ventilador:
 - Botón "1": Oprime para encender el ventilador a velocidad baja.
 - Botón "2": Oprime para encender el ventilador a velocidad media.
 - Botón "3": Oprime para encender el ventilador a velocidad alta.
 - Botón de encendido: Oprime para apagar el ventilador.
 - Botón para luces: Oprime y suelta el botón inmediatamente para encender o apagar la luz. Manténlo presionado para regular la intensidad de la luz de las bombillas al nivel deseado y, luego, suéltalo (la función de regulación de intensidad es solo para bombillas de tungsteno).



Mantenimiento y limpieza



ADVERTENCIA: Antes de limpiar el ventilador hay que asegurar que la electricidad esté cortada.

- Por causa del movimiento natural del ventilador, algunas conexiones pueden aflojarse. Revisar dos veces al año las conexiones de soporte, los soportes y los accesorios de las aspas. Comprobar que estén seguros. No es necesario desmontar el ventilador del cielo raso.
- Hay que limpiar el ventilador con frecuencia para que luzca como nuevo al paso de los años. No usar agua al limpiarlo. Esto puede dañar el motor o la madera e incluso provocar descarga eléctrica. Usar sólo un cepillo suave o un paño sin pelusas para evitar arañar el acabado. El revestimiento está sellado con laca para minimizar la decoloración u opacidad.
- Puedes aplicar a la madera una fina capa de pulimento para muebles y asegurar así mayor protección y superior belleza. Cubrir los arañazos diminutos con una leve aplicación de lustrador para calzado.
- No necesitas lubricar tu ventilador. El motor tiene cojinetes de bola sellados y permanentemente lubricados.

Solución de problemas

Problema	Solución
El ventilador no enciende.	<ul style="list-style-type: none"><input type="checkbox"/> Verificar los fusibles o cortacircuitos principales y secundarios.<input type="checkbox"/> Asegurar que el interruptor de pared esté en posición de encendido (ON), si corresponde.<input type="checkbox"/> Verificar las conexiones de cables en línea al ventilador y de cables del interruptor en la caja correspondiente.<input type="checkbox"/> Revisar la batería del transmisor.<input type="checkbox"/> Garantizar que estén en el rango normal de 10-20 pies (3 a 6 metros).
El ventilador hace ruido.	<ul style="list-style-type: none"><input type="checkbox"/> Garantizar que todos los tornillos de la carcasa del motor estén ajustados.<input type="checkbox"/> Garantizar que los tornillos que unen el soporte de aspa al cuerpo del motor estén bien apretados.<input type="checkbox"/> Garantizar que las conexiones de tuerca de cable no choquen unas con otras ni con la pared interior de la caja del interruptor.<input type="checkbox"/> Dejar que pasen 24 horas como período de “adaptación”. La mayoría de los ruidos asociados a un ventilador nuevo desaparecen en ese lapso.<input type="checkbox"/> Al usar el kit de luces de ventilador de techo, asegurar que los tornillos que sujetan el vidrio estén bien ajustados. Verificar que también las bombillas estén seguras.<input type="checkbox"/> Garantizar que la cubierta esté a corta distancia del cielo raso. No debe tocarlo.
El ventilador oscila.	<ul style="list-style-type: none"><input type="checkbox"/> Verificar que todas las aspas y los tornillos de sus brazos estén bien ajustados.<input type="checkbox"/> La mayoría de los problemas de oscilación del ventilador se deben a que las aspas no están al mismo nivel. Verificar este nivel seleccionando un punto en el cielo raso sobre la punta de una de las aspas. Medir desde un punto en el centro de cada aspa al punto en el cielo raso. Girar el ventilador hasta que la siguiente aspa quede en posición para medir. Repetir el procedimiento con cada aspa. Las desviaciones de la medición no deben pasar de 1/8 plg (0.3 cm). Dejar que el ventilador funcione durante diez minutos. Si continúa oscilando, comunicarlo al servicio al cliente y te enviarán un kit de compensación de aspas sin costo alguno.

HOME DECORATORS COLLECTION

¿Preguntas, problemas o piezas en falta? Antes de devolver a la tienda,
llamar al servicio al cliente de The Home Depot.
De lunes a viernes, entre 8:00 a.m. y 7:00 p.m. (Este),
y los sábados de 9:00 a.m. a 6:00 p.m. (Este).

1-800-986-3460

[HOMEDEPOT.COM/HOMEDECORATORS](https://www.homedepot.com/homedecorators)

Conservar este manual para uso futuro.