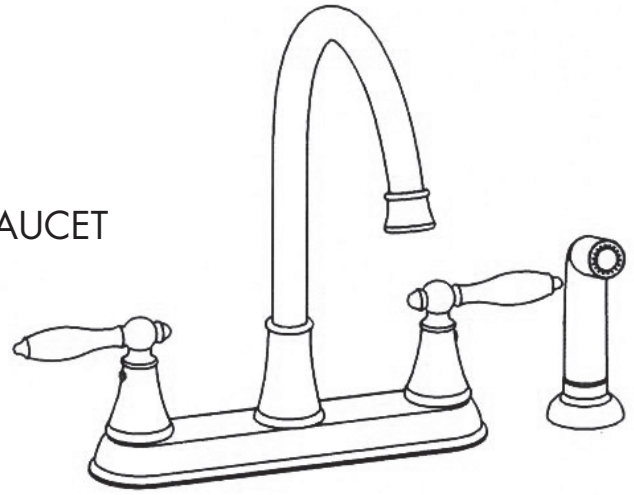


## INSTALLATION GUIDE: WIDESPREAD KITCHEN FAUCET



### PRODUCT SPECS AND STANDARDS:

#### DESCRIPTION:

- Surface Thickness 1-1/8" Max
- With Spray - Four (4) Holes; 4" on center, Ø 1-1/8" Min to Ø 1-1/2" Max.
- Chrome plated brass spout
- 1/2" IPS threaded brass shanks 8" on centers
- Plastic putty plate
- Twin lever handles

#### OPERATION:

- Requires less than 5LB force to operate valve
- Flow adjustment: 90° turn from full off to full on
- 1.8 GPM (6.8 L/min) Aerator

### PRODUCT SPECS AND STANDARDS:

#### STANDARDS:

- IAPMO/UPC Certified:
- ASME A112.18.1-2012/CSA B 125.1-12
- NSF/ANSI 61-2012
- NSF/ANSI 372-2011 (Lead Free)

#### WARRANTY:

- 100 Year drip-free warranty
- Product to be free of defects in material or workmanship

### NOTE:

While your faucet may differ in appearance to item shown, it will install with in the same manner.

### CLEANING INSTRUCTIONS:

Use only a clean, soft cloth, water, and mild hand soap to clean unit.

**WARNING:** Do NOT use abrasive cleaners, chemicals, or abrasive cleaning pads to clean fixture. A very hard protective coating has been applied to this product to maintain it's appearance, but this product could be damaged with improper cleaning. Failure to follow cleaning instructions will void product warranty.

### PRODUCT WARRANTY:

Windon Bay faucets have been manufactured to our high quality standards and workmanship. **The warranty covers defects in materials and/ or workmanship to the original purchaser/home owner (warranty is not transferable to another person).** The faucet is warranted to remain drip-free during normal use. All parts and finishes will be free from manufacturing defects. With the exception of items listed below, this product has a limited warranty against defects in materials or workmanship for a period of 1 year from the date of purchase. The warranty is voided if the product is found to be misused or the following cleaning instructions were not followed. Damage due to accidents or installation is not warranted.

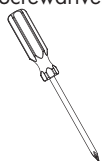
1. Faucet valve cartridges have a limited warranty for a period of 100 years from the date of purchase. This date is stamped on the valve cartridge.
2. Product finish has a limited warranty for a period of 100 years from the date of purchase. Failure to follow the cleaning instructions listed below voids all finish warranty. Damage due to accidents or installation is not warranted.

**This warranty covers replacement of cartridges, parts and finish only.** It does not include labor charges and/or damage incurred during installation. Windon Bay will provide free of charge all parts and cartridges found to be covered under the warranty; any part that proves defective in material and/or workmanship under normal installation, use and service. Finish warranty is not covered if finish is exposed to extreme use of cleaners containing abrasives and alcohol, extreme cleaning, extreme chemical use, or any damage due to abuse or neglect (Oil Rubbed Bronze and Matte Black finish is warranted for 1 year).

\*\*Please see cleaning instructions provided with each faucet. This warranty excludes all industrial, commercial, and business usage of faucets and only pertains to single dwelling residential use. Faucets used for other than single dwelling residential use are covered by a 1-year limited warranty from the date of purchase.

### HELPFUL TOOLS

Phillips  
Screwdriver



Adjustable  
Wrench



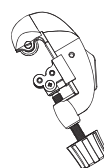
Safety  
Glasses



Plumber's  
Putty



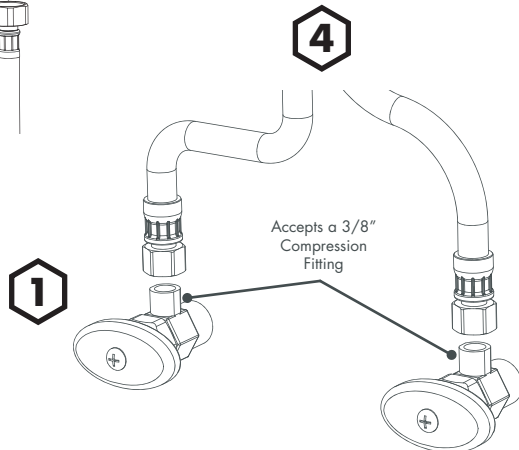
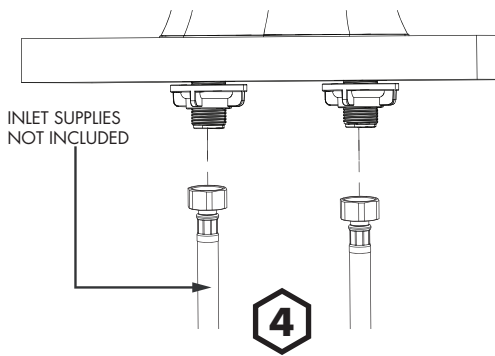
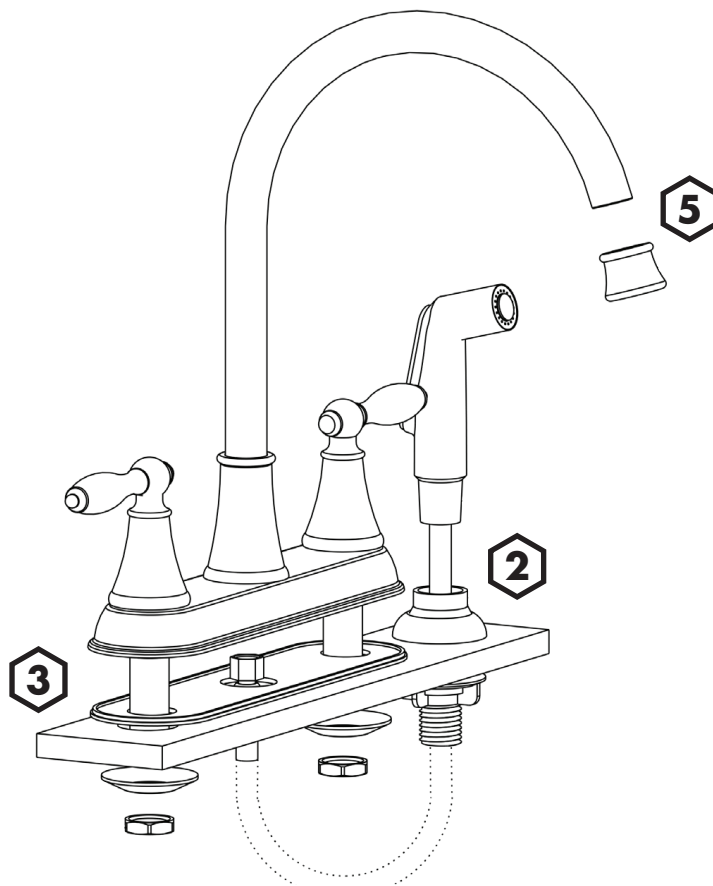
Tubing  
Cutter



Supply  
Hoses



# INSTALLATION GUIDE: WIDESPREAD KITCHEN FAUCET

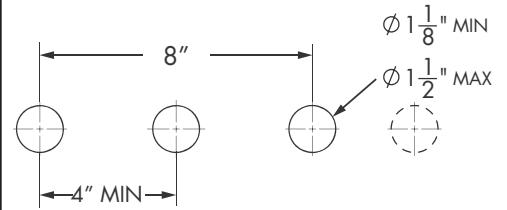


**1**

## TURN OFF WATER SUPPLIES.

Ensure mounting surface requirements are as follows:

- With Spray - Four (4) Holes;
- 4" on center,  $\varnothing$  1-1/8" Min to  $\varnothing$  1-1/2" Max.
- Surface Thickness 1-1/8" Max



**2**

## SIDE SPRAY HOSE INSTALLATION (IF EQUIPPED)

- Mount Spray Hose Holder onto sink and secure with Hose Holder Nut.
- Insert Spray Hose into Hose Holder.
- From bottom side of sink, insert end of Spray Hose through center mounting hole of sink.
- Assemble Spray Hose to Faucet and tighten. (DO NOT OVER TIGHTEN CONNECTIONS).

**3**

## MOUNT UNIT ON SINK BASIN.

Position Faucet and Putty Plate on sink. Assemble Mount Washers and Locknuts onto Faucet Shanks and tighten. (DO NOT OVER TIGHTEN LOCKNUTS).

**4**

## ASSEMBLE WATER SUPPLY LINES.

Use 1/2" IPS faucet connections (not supplied). Use wrenches to tighten connections. Do not overtighten. Caution: Use wrench or pliers to hold faucet inlet adapters when tightening supply line nuts to prevent twisting copper tubing or damaging solder joints.

**5**

## TURN ON WATER AND FLUSH THE SYSTEM.

Remove aerator (if installed) using aerator key and flush thoroughly to remove any debris. Re-install aerator.

**6**

## CONFIRM PROPER INSTALLATION

Check for leaks and proper operation of faucet.



### CALIFORNIA PROPOSITION 65:

**WARNING:** This product can expose you to chemicals including lead, which is known to the State of California to cause cancer and birth defects or other reproductive harm. For more information go to [www. P65Warnings.ca.gov](http://www.P65Warnings.ca.gov).

**Wash hands after installation, repair, or removal of this product.**