

Model LS1019L Parts List

A = Standard Equipment

○ = Circuit Diagram

Item#	Part#	Description	Q'ty Unit
001	265995-6	TAPPING SCREW 4X18	6 PC.
002	183H23-2	HANDLE SET	1
	C10 810483-4	CAUTION LABEL	1 PC.
	C20 808641-4	SWITCH INDICATION LABEL	1 PC.
	D10	INC. 14	
003	638652-3	LASER SWITCH UNIT	1 PC.
004	620723-0	POWER SUPPLY CIRCUIT	1
005	451412-4	CASE	1 PC.
006	451003-1	SWITCH LEVER	1 PC.
007	416356-5	LOCK-OFF LEVER	1 PC.
008	650687-4	SWITCH TGC32B	1 PC.
009	231026-3	COMPRESSION SPRING 4	1 PC.
013	265995-6	TAPPING SCREW 4X18	4 PC.
014	183H23-2	HANDLE SET	1
	C10 810483-4	CAUTION LABEL	1 PC.
	C20 808641-4	SWITCH INDICATION LABEL	1 PC.
	D10	INC. 2	
015	451037-4	SWITCH BUTTON	1 PC.
016	451000-7	LEAD COVER HOLDER	1 PC.
017	265995-6	TAPPING SCREW 4X18	1 PC.
018	265995-6	TAPPING SCREW 4X18	2 PC.
019	457652-2	REAR COVER	1
020	664463-0	POWER SUPPLY CORD AWG#14-2-2.8	1 PC.
021	265995-6	TAPPING SCREW 4X18	2 PC.
022	687124-5	STRAIN RELIEF	1 PC.
023	631863-9	CONTROLLER	1 PC.
024	911948-0	PAN HEAD SCREW M6X80 WITH WR	4 PC.
025	853H90-8	LS1019L NAME PLATE	1
026	144532-8	MOTOR HOUSING COMPLETE	1
	C10 643653-8	BRUSH HOLDER 6.5-13.5	2 PC.
027	CB154	CARBON BRUSH CB-154 (194986-9)	1 SET
028	643650-4	BRUSH HOLDER CAP 6.5-13.5	2 PC.
029	590023-1	FIELD ASS'Y 115V	1 PC.
	C10 654020-2	RING TERMINAL	2 PC.
	C20 654502-4	CONNECTOR P-2	2 PC.
030	266418-7	TAPPING SCREW 5X55	2 PC.
031	211097-6	BALL BEARING 600ZZ	1 PC.
032	681642-5	INSULATION WASHER	1 PC.
033	240001-8	FAN 80	1 PC.
034	510143-5	ARMATURE ASS'Y 115V	1 PC.
	D10	INC. 31-33	
035	451001-5	BAFFLE PLATE	1 PC.
036	319591-3	MOTOR BRACKET	1
037	961057-5	RETAINING RING S-17	1 PC.
038	210301-0	BALL BEARING 6003DDW	1 PC.
039	922331-6	HEX. SOCKET HEAD BOLT M6X20	1 PC.
040	253804-1	FLAT WASHER 6	1 PC.
041	257163-5	RING 6	1 PC.
042	457704-9	DUST NOZZLE	1
043	687042-7	STRAIN RELIEF	1 PC.
044	266026-4	TAPPING SCREW BIND CT 4X12	1 PC.

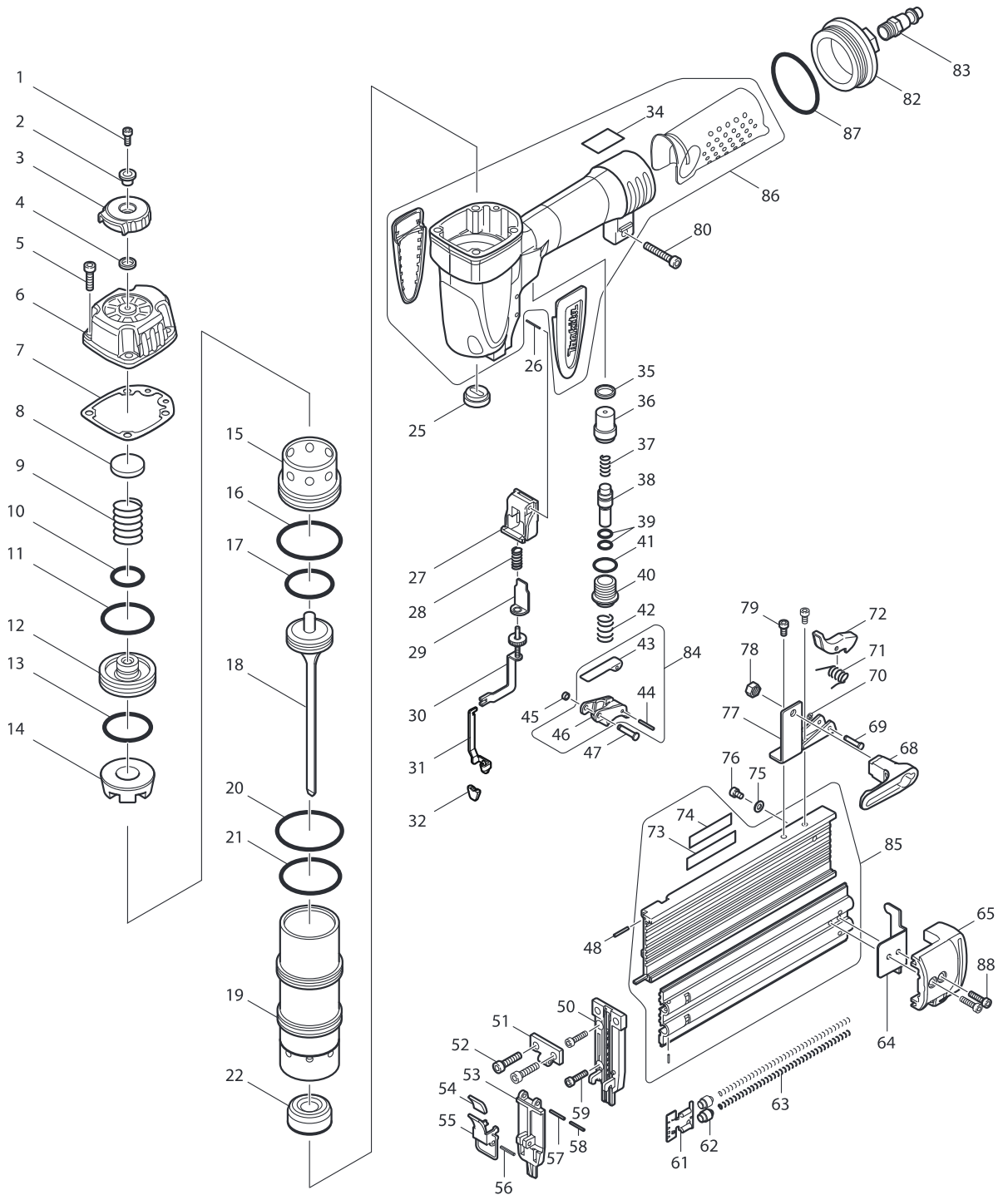
045	251554-2	THUMB SCREW M6X40	1
046	922332-4	HEX. SOCKET HEAD BOLT M6X20	1 PC.
047	457667-9	LOGO PLATE	1
048	961018-5	STOP RING E-5	1 PC.
049	251547-9	HEX.SOCKET HEAD BOLT M8X25	1
050	922226-3	HEX. SOCKET HEAD BOLT M5X18	1 PC.
051	266034-5	TAPPING SCREW CT 4X16	3 PC.
052	144529-7	LINK PLATE COMPLETE	1
053	257163-5	RING 6	1 PC.
054	253804-1	FLAT WASHER 6	1 PC.
055	262001-8	URETHANE RING 5	1 PC.
056	942151-2	SPRING WASHER 6	1 PC.
057	257785-1	SLEEVE 6	1 PC.
058	266321-2	H.S.SET SCREW(FLAT POINT)M6X16	1 PC.
059	911114-9	PAN HEAD SCREW M4X10	2 PC.
060	232412-1	TORSION SPRING 11	1
061	457764-1	DUST GUIDE PLATE	1
062	161647-6	GUARD HOLDER	1
063	231928-3	RING SPRING 8	1 PC.
064	251544-5	SHOULDER HEX. BOLT M4	1
065	144631-6	BLADE CASE COMPLETE	1
	C10 263005-3	RUBBER PIN 6	3 PC.
	C20 810496-5	LASER BEAM CAUTION LABEL	1 PC.
	C30 810497-3	LASER BEAM CAUTION LABEL	1 PC.
066	231240-1	COMPRESSION SPRING 7	1 PC.
067	256633-1	PIN 6	1 PC.
068	457659-8	LEAD COVER	1
069	265028-7	+ PAN HEAD SCREW M4X11	1 PC.
070	422155-5	GUARD	1
071	347215-1	GUARD PLATE	1
072	266283-4	HEX. SOCKET HEX. BOLT M8X20	1 PC.
073	266020-6	TAPPING SCREW 4X12	1 PC.
074	961052-5	RETAINING RING S-12	1 PC.
075	210005-4	BALL BEARING 608DDW	1 PC.
076	261104-5	RUBBER WASHER 12	1 PC.
077	253744-3	FLAT WASHER 12	1 PC.
078	254001-2	WOODRUFF KEY 4	1 PC.
079	227550-2	SPIRAL BEVEL GEAR 32	1 PC.
080	253744-3	FLAT WASHER 12	1 PC.
081	253313-0	THIN WASHER 14	1 PC.
082	451002-3	GREASE HOLDER	1 PC.
083	266026-4	TAPPING SCREW BIND CT 4X12	2 PC.
084	325643-0	GEAR SHAFT	1 PC.
085	216024-8	STEEL BALL 4	1 PC.
086	227702-5	HELICAL GEAR 27	1 PC.
087	227701-7	HELICAL GEAR 14	1 PC.
088	211097-6	BALL BEARING 6000ZZ	1 PC.
089	442147-8	GASKET	1 PC.
090	961055-9	RETAINING RING S-15	1 PC.
091	210005-4	BALL BEARING 608DDW	1 PC.
092	911223-4	PAN HEAD SCREW M5X16	3 PC.
093	227703-3	HELICAL GEAR 28	1 PC.
094	267010-2	FLAT WASHER 5	1 PC.
095	210005-4	BALL BEARING 608DDW	1 PC.
096	158957-0	BEARING BOX COMPLETE	1 PC.
	C10 263002-9	RUBBER PIN 4	1 PC.
097	285847-5	BEARING RETAINER 14-23	1 PC.

098	931202-6	HEX. NUT M5	1 PC.
099	942101-7	SPRING WASHER 5	1 PC.
100	325644-8	SPINDLE	1 PC.
101	211236-8	BALL BEARING 6002DDW	1 PC.
102	285732-2	BEARING RETAINER 51	1 PC.
103	224428-0	INNER FLANGE 46	1 PC.
104	224429-8	OUTER FLANGE 46	1 PC.
106	265034-2	+ COUNTERSUNK HEAD SCREW M5X16	2 PC.
107	266755-9	HEX.SOCKET HEAD BOLT M10X20	1 PC.
108	941051-3	FLAT WASHER 4	2 PC.
109	266020-6	TAPPING SCREW 4X12	2 PC.
110	418104-8	LENS	1 PC.
111	419378-4	BLOCK B	1 PC.
112	911003-8	PAN HEAD SCREW M3X6	2 PC.
113	231664-1	TORSION SPRING 9	1 PC.
114	266318-1	H.S.SET SCREW(FLAT POINT)M4X6	1 PC.
115	266306-8	SHOULDER SCREW M5	1 PC.
116	419379-2	BLOCK C	1 PC.
117	233471-8	COMPRESSION SPRING 6	1 PC.
118	638651-5	LASER CIRCUIT COMPLETE	1 PC.
119	231664-1	TORSION SPRING 9	1 PC.
120	266318-1	H.S.SET SCREW(FLAT POINT)M4X6	1 PC.
121	266229-0	H.S.SET SCREW(CUP POINT)M5X8	2 PC.
122	457660-3	LASER COVER	1
123	266034-5	TAPPING SCREW CT 4X16	2 PC.
124	457664-5	PROTECTOR	1
125	265753-0	THUMB SCREW M5X24	1 PC.
126	253807-5	FLAT WASHER 5	1 PC.
127	424193-3	ROLLER	2 PC.
128	266385-6	TAPPING SCREW 4X14	3 PC.
129	457499-4	SEAFTY COVER B	1
130	266385-6	TAPPING SCREW 4X14	1 PC.
131	347213-5	CENTER PLATE	1
132	231634-0	TORSION SPRING 45	1 PC.
133	424190-9	CUSHION	1 PC.
134	347214-3	CENTER COVER	1
135	265985-9	HEX.SOCKET HEAD BOLT M6	1 PC.
136	253932-2	WAVE WASHER 10	1 PC.
137	210168-6	BALL BEARING 6805DDW	1
138	457498-6	SAFETY COVER A	1
139	123980-4	DUST NOZZLE ASSEMBLY	1
	D10	INC. 140-145,147,148	
140	265995-6	TAPPING SCREW 4X18	3 PC.
141	183G68-4	DUST NOZZLE CONNECTOR SET	1
	D10	INC. 148	
142	245041-1	HOSE 28-0.45	1 PC.
143	457672-6	SLEEVE	2
144	457673-4	STOPPER	2
145	457669-5	DUST NOZZLE	1
147	457703-1	ELBOW	1
148	183G68-4	DUST NOZZLE CONNECTOR SET	1
	D10	INC. 141	
149	266034-5	TAPPING SCREW CT 4X16	3 PC.
150	457665-3	SLEEVE 17	1
151	457665-3	SLEEVE 17	1
152	233537-4	TORSION SPRING 35	1 PC.
153	251267-5	+ PAN HEAD SCREW M6	1 PC.

154	253948-7	WAVE WASHER 8	1 PC.
155	253835-0	FLAT WASHER 8	1 PC.
156	347221-6	STOPPER ARM	1
157	347222-4	FRONT ARM PLATE	1
158	262076-7	FELT RING 30	2 PC.
159	326994-4	ROD 16	1
160	271437-0	KNOB 22	1
161	961013-5	STOP RING E-7	1 PC.
162	266034-5	TAPPING SCREW CT 4X16	4 PC.
163	144655-2	FRONT ARM COMPLETE	1
	C10 263005-3	RUBBER PIN 6	2 PC.
	C20 816787-2	INDICATION LABEL	1 PC.
164	233151-6	COMPRESSION SPRING 4	1 PC.
165	256364-2	PIN 4	1
166	232384-0	COMPRESSION SPRING 10	1
167	326977-4	STOPPER PIN	1
168	457653-0	ARM COVER	1
169	144658-6	HOLDER COMPLETE	1
	C10 812X89-8	INDICATION LABEL	1
170	265008-3	+ FLAT HEAD SCREW M5	1 PC.
171	222191-9	PULLEY 17-19.3	1
172	210167-8	BALL BEARING 6900LLB	1
173	267804-5	WAVE WASHER 15	1 PC.
174	326975-8	SHAFT	1
175	210167-8	BALL BEARING 6900LLB	1
176	687042-7	STRAIN RELIEF	1 PC.
177	913416-9	SET SCREW M8X12	2 PC.
178	416536-3	WRENCH HOLDER	1 PC.
179	266026-4	TAPPING SCREW BIND CT 4X12	1 PC.
180	951107-4	SPRING PIN 4-14	2 PC.
181	273016-0	GRIP 50 B	1
182	265919-2	HEX. SOCKET HEAD BOLT M5X30	1 PC.
183	251545-3	SHOULDER HEX. BOLT M6	1
184	144657-8	STOPPER LEVER COMPLETE	1
	C10 812X87-2	INDICATION LABEL	1
185	253948-7	WAVE WASHER 8	1 PC.
186	253835-0	FLAT WASHER 8	1 PC.
187	251267-5	+ PAN HEAD SCREW M6	1 PC.
188	326987-1	PIN 9-365	1
189	253194-2	FLAT WASHER 5	1 PC.
190	257426-9	SLEEVE 5	1
191	253165-9	FLAT WASHER 8	1 PC.
192	457666-1	SLEEVE 20	1
193	326977-4	STOPPER PIN	1
194	222192-7	PULLEY 17-87.8	1
195	326980-5	HEX.LOCK NUT M10-19	1
196	225101-5	SYNCHRO BELT 15-756	1
197	232384-0	COMPRESSION SPRING 10	1
198	253388-9	FLAT WASHER 10	1
199	252244-0	HEX.LOCK NUT M10-17	1 PC.
200	253024-7	FLAT WASHER 10	1 PC.
202	216413-7	THRUST NEEDLE CAGE 1024	1 PC.
203	253024-7	FLAT WASHER 10	1 PC.
204	216413-7	THRUST NEEDLE CAGE 1024	1 PC.
205	961013-5	STOP RING E-7	1 PC.
206	271437-0	KNOB 22	1
207	253024-7	FLAT WASHER 10	1 PC.

208	144530-2	ARM COMPLETE	1
	C10 812X88-0	INDICATION LABEL	1
209	251547-9	HEX.SOCKET HEAD BOLT M8X25	1
210	457871-0	INDICATION PLATE R	1
211	266026-4	TAPPING SCREW BIND CT 4X12	1 PC.
212	266034-5	TAPPING SCREW CT 4X16	4 PC.
213	415208-7	RELEASE BUTTON	1 PC.
214	233031-6	COMPRESSION SPRING 12	1 PC.
215	457654-8	DUST GUIDE HOLDER	1
216	457870-2	INDICATION PLATE L	1
217	266026-4	TAPPING SCREW BIND CT 4X12	1 PC.
218	253389-7	WASHER 94	1
219	422156-3	DUST GUIDE	1
220	319593-9	STOPPER	1
221	231646-3	TORSION SPRING 14	1 PC.
222	253744-3	FLAT WASHER 12	1 PC.
223	961052-5	RETAINING RING S-12	1 PC.
224	266026-4	TAPPING SCREW BIND CT 4X12	2 PC.
225	457668-7	HOLDER	2
226	144647-1	UPPER FENCE R COMPLETE	1
	C10 812X80-6	CAUTION LABEL	1
227	144643-9	UPPER FENCE L COMPLETE	1
	C10 812X80-6	CAUTION LABEL	1
228	922458-2	H.S.H.BOLT M8X35 WITH WR	4
229	251887-5	SCREW M6X10	2 PC.
230	251561-5	H.SOCKET HEAD SET SCREW M10X12	2
231	319584-0	GUIDE FENCE	1
232	266026-4	TAPPING SCREW BIND CT 4X12	4 PC.
233	451013-8	KERF BOARD	2 PC.
234	812X83-0	CAUTION LABEL	1
235	265442-7	HEX. BOLT M8X40	1 PC.
236	253852-0	FLAT WASHER 8	2 PC.
237	216413-7	THRUST NEEDLE CAGE 1024	1 PC.
239	812X86-4	BEVEL SCALE LABEL	1
240	251547-9	HEX.SOCKET HEAD BOLT M8X25	1
241	251547-9	HEX.SOCKET HEAD BOLT M8X25	1
243	813L22-1	CAUTION LABEL	2
244	266026-4	TAPPING SCREW BIND CT 4X12	2 PC.
245	457702-3	INDICATION PLATE	2
246	326970-8	LOCK PIN 8	1
247	234122-6	COMPRESSION SPRING 6	1 PC.
249	457657-2	LEVER 25	1
250	253804-1	FLAT WASHER 6	1 PC.
251	961018-5	STOP RING E-5	2 PC.
252	144651-0	TURN BASE COMPLETE	1
	D10	INC. 234,239,243,253	
253	812X82-2	CAUTION LABEL	1
254	326973-2	ROD 12	1
255	286039-9	CAP	2
256	326976-6	CENTER SHAFT	1
257	911113-1	PAN HEAD SCREW M4X10 WITH WR	2 PC.
258	231325-3	COMPRESSION SPRING 6	1 PC.
259	310803-7	TURN STOPPER	1
260	347217-7	LEVER PLATE	1
261	256186-0	PIN 5	1 PC.
262	911231-5	PAN HEAD SCREW M5X20	2 PC.
263	347219-3	STOPPER HOLDER	1

264	326971-6	LOCK ROD	1
265	457656-4	LOCK LEVER	1
266	326969-3	LOCK PIN 6	1
267	256158-5	PIN 3	1 PC.
268	231325-3	COMPRESSION SPRING 6	1 PC.
269	347237-1	CAM PLATE	1
270	319592-1	PIN HOLDER	1
271	922231-0	HEX. SOCKET HEAD BOLT M5X20	2 PC.
272	347216-9	LOCK PLATE	1
274	326972-4	ROD 6	1
275	961011-9	STOP RING E-4	1 PC.
276	257425-1	RING 5	2
277	253194-2	FLAT WASHER 5	2 PC.
278	922231-0	HEX. SOCKET HEAD BOLT M5X20	2 PC.
279	911113-1	PAN HEAD SCREW M4X10 WITH WR	1 PC.
280	144656-0	LEVER 25 COMPLETE	1
C10	263005-3	RUBBER PIN 6	1 PC.
281	911008-8	PAN HEAD SCREW M3X8	1 PC.
282	345272-3	LOCK LEVER PLATE	1 PC.
283	273015-2	GRIP 50A	1
284	266026-4	TAPPING SCREW BIND CT 4X12	2 PC.
285	457655-6	SLIDE PLATE	1
286	347223-2	MITER SCALE PLATE	1
287	251546-1	+ PAN HEAD SCREW M5	4
288	347218-5	MITER LOCK PLATE	1
289	265786-5	SCREW M5X16	2 PC.
290	319560-4	BASE	1
291	421845-7	FOOT	4 PC.
292	267195-4	FLAT WASHER 4	4 PC.
293	266026-4	TAPPING SCREW BIND CT 4X12	4 PC.
294	326978-2	HOLDER 200	2
295	961015-1	STOP RING E-9	2 PC.
296	266026-4	TAPPING SCREW BIND CT 4X12	1 PC.
297	266318-1	H.S.SET SCREW(FLAT POINT)M4X6	1 PC.
298	931102-0	HEX. NUT M4	1 PC.
A01	122852-0	DUST BAG ASS'Y	1 PC.
C10	410602-8	FASTENER	1 PC.
A02	126617-2	WISE ASS'Y	1
A03	762001-3	TRIANGULAR RULE	1 PC.
A04	A-95043	T.C.T.SAW BLADE 255X15.88X60T	1 PC.
A05	781044-6	HEX. WRENCH 6	1
A06	783208-8	HEX. WRENCH 2.5	1 PC.



Model AF505N Parts List

A = Standard Equipment

O = Circuit Diagram

Item#	Part#	Description	Q'ty	Unit
001	HY00000001	HEX.SOCKET HEAD BOLT M4X1	1	PC.
002	HY00000002	SLEEVE4	1	PC.
003	HY00000003	EXHAUST COVER	1	PC.
004	HY00000004	RUBBER WASHER 7	1	PC.
005	HY00000005	HEX.SOCKET HEAD BOLT M5X2	4	PC.
006	HY00000006	TOP CAP	1	PC.
007	HY00000007	TOP CAP GASKET	1	PC.
008	HY00000008	CUSHION V	1	PC.
009	HY00000009	COMPRESSION SPRING 7	1	PC.
010	HY00000010	O-RING 12	1	PC.
011	HY00000011	O-RING 33	1	PC.
012	HY00000012	HEAD VALVE	1	PC.
013	HY00000013	O-RING 29	1	PC.
014	HY00000014	CUSHION P	1	PC.
015	HY00000015	CYLINDER SEPARATER	1	PC.
016	HY00000016	O-RING 46	1	PC.
017	HY00000017	O-RING 24	1	PC.
018	HY00000018	DRIVER COMPLETE	1	PC.
019	HY00000019	CYLINDER	1	PC.
020	HY00000020	O-RING 36	2	PC.
021	HY00000021	O-RING 31	1	PC.
022	HY00000022	CUSHION F	1	PC.
025	HY00000023	FRONT SEAL	1	PC.
026	HY00000024	SPRING PIN 3-26	1	PC.
027	HY00000025	HOLDER	1	PC.
028	HY00000026	COMPRESSION SPRING 5	1	PC.
029	HY00000027	STOPPER	1	PC.
030	HY00000028	CONTACTARM COMPLETE	1	PC.
031	HY00000377	CONTACT TOP	1	
032	HY00000378	NOSE ADAPTER	1	
034	HY00000093	CAUTION LABEL	1	
035	HY00000033	RUBBER RING 8	1	PC.
036	HY00000034	TRIGGER VALVE GUIDE	1	PC.
037	HY00000035	COMPRESSION SPRING 4	1	PC.
038	HY00000036	TRIGGER VALVE STEM	1	PC.
039	HY00000037	O-RING 3	2	PC.
040	HY00000038	TRIGGER VALVE CASE	1	PC.
041	HY00000039	O-RING 11	1	PC.
042	HY00000040	COMPRESSION SPRING 10	1	PC.
043	HY00000041	IDLER	1	PC.
044	HY00000042	SPRING PIN 2.5-17	1	PC.
045	HY00000043	RUBBER RING 2	1	PC.
046	HY00000044	TRIGGER	1	PC.
047	HY00000045	PIN 3	1	PC.
048	HY00000046	PIN 2	2	PC.
050	HY00000047	DRIVER GUIDE	1	PC.
051	HY00000048	PLATE	1	PC.
052	HY00000049	HEX.SOCKET HEAD BOLT M5X2	2	PC.
053	HY00000050	DOOR	1	PC.
054	HY00000051	CAP	1	PC.

055	HY00000052	LEVER COMPLETE	1 PC.
056	HY00000053	SPRING PIN 2.5-16	1 PC.
057	HY00000054	SPRING PIN 2.5-18	1 PC.
058	HY00000055	SPRING PIN 1.5-18	1 PC.
059	HY00000056	HEX.SOCKET HEAD BOLT M4X1	4 PC.
061	HY00000057	PUSHER	1 PC.
062	HY00000058	PIN 7	2 PC.
063	HY00000059	COMPRESSION SPRING 6	2 PC.
064	HY00000060	MAGAZINE PLATE	1 PC.
065	HY00000061	SLIDE DOOR COVER	1 PC.
068	HY00000062	HOOK	1 PC.
069	HY00000063	PIN 3	1 PC.
070	HY00000064	STOP RING (EXT) E-2.5	1 PC.
071	HY00000065	TORSION SPRING	1 PC.
072	HY00000066	LOCK LEVER	1 PC.
073	HY00000067	CAUTION LABEL	1 PC.
074	HY00000069	CAUTION LABEL	1 PC.
075	HY00000070	WASHER	1 PC.
076	HY00000071	HEX.SOCKET HEAD BOLT M4X6	1 PC.
077	HY00000072	JOINT	1 PC.
078	HY00000073	HEX.LOCK NUT M5	1 PC.
079	HY00000074	HEX.SOCKET HEAD BOLT M4X8	2 PC.
080	HY00000075	HEX.SOCKET HEAD BOLT M5X3	1 PC.
082	HY00000076	INLET CAP	1 PC.
083	HY00000079	ONE TOUCH JOINT	1 PC.
084	HY00000083	TRIGGER COMPLETE (43 44 46)	1 PC.
	D10	INC. 43,44,46	
085	HY00000084	MAGAZING ASSY	1 PC.
	D10	INC. 73,74	
086	HY00000087	HOUSING COMPLETE	1 PC.
	D10	INC. 34	
087	HY00000020	O-RING 36	1 PC.
088	HY00000056	HEX.SOCKET HEAD BOLT M4X1	4 PC.
A01	HY00000090	PLASTIC CASE	1 PC.
A02	195246-2	SAFETY GOGGLE	1 PC.
A03	181434-7	OIL SUPPLY 30CC	1 PC.