

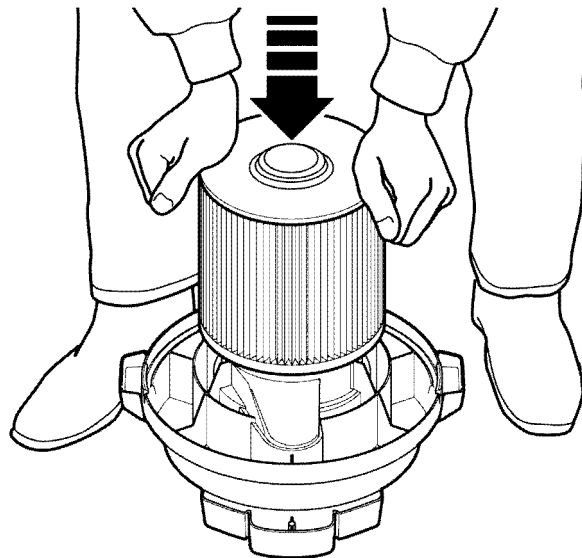
Installation Instructions

CleanStream® Filter

For Ridgid® & Craftsman® Wet/Dry Vacs

Remove old filter and clean sealing surface on lid. Do not use filter plate supplied with vac. Carefully slide opening of filter over cage. Push bottom of filter firmly down until it seats on motor housing.

Press Firmly



Notice

Important: For liquid pick-up, do not fill above inlet or spillage will occur.

Warning: DO NOT vacuum oily or hazardous materials such as asbestos, lead paint dust, pesticides or other dangerous materials. DO NOT vacuum burning objects, embers or warm fireplace debris.

Warning: Remove plug from outlet before removing the tank cover.