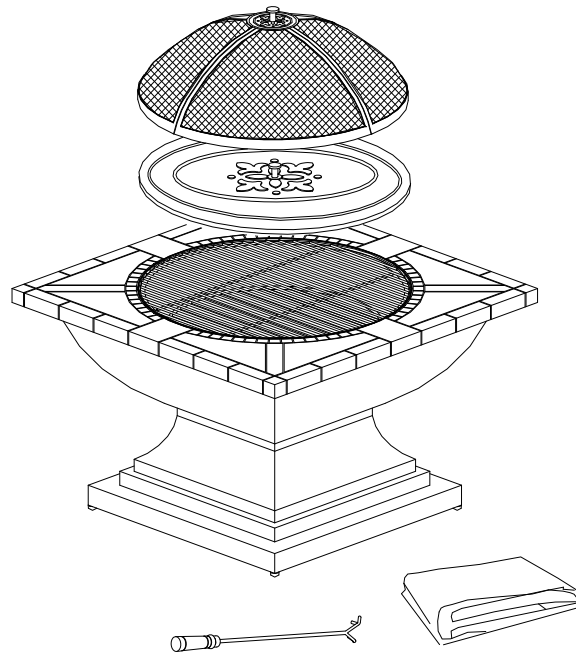


Assembly Instructions

ITEM#: L-FT710PST

IMPORTANT, RETAIN FOR FUTURE REFERENCE: READ CAREFULLY



WARNINGS:

- Cook pit is intended for outdoor use only. For use on nonflammable surfaces such as slate, stone or brick.
- Do not use on wood decks or any wooden surface.
- Cook pit is intended to burn wood logs only. Do not burn coal, leaves or other combustible materials.
- Keep flammable or combustible objects away from cook pit.
- Not for use by children. Keep children and pets a safe distance from the cook pit.
- Cook pit is hot. Use with caution. Never touch hot cook pit with bare hands.
- Never leave burning cook pit unattended. Always extinguish the fire completely before leaving the cook pit.
- When the cook pit is in use, the handle on the mesh screen can reach extreme temperatures that will cause injury to an unprotected hand. Please use poker or an appropriate heat resistant glove or pad when handling.

WARNING: The protective fabric cover shall not be used while the unit is in operation and shall not be installed until this unit is cool.

For customer service call:

1-866-578-1111

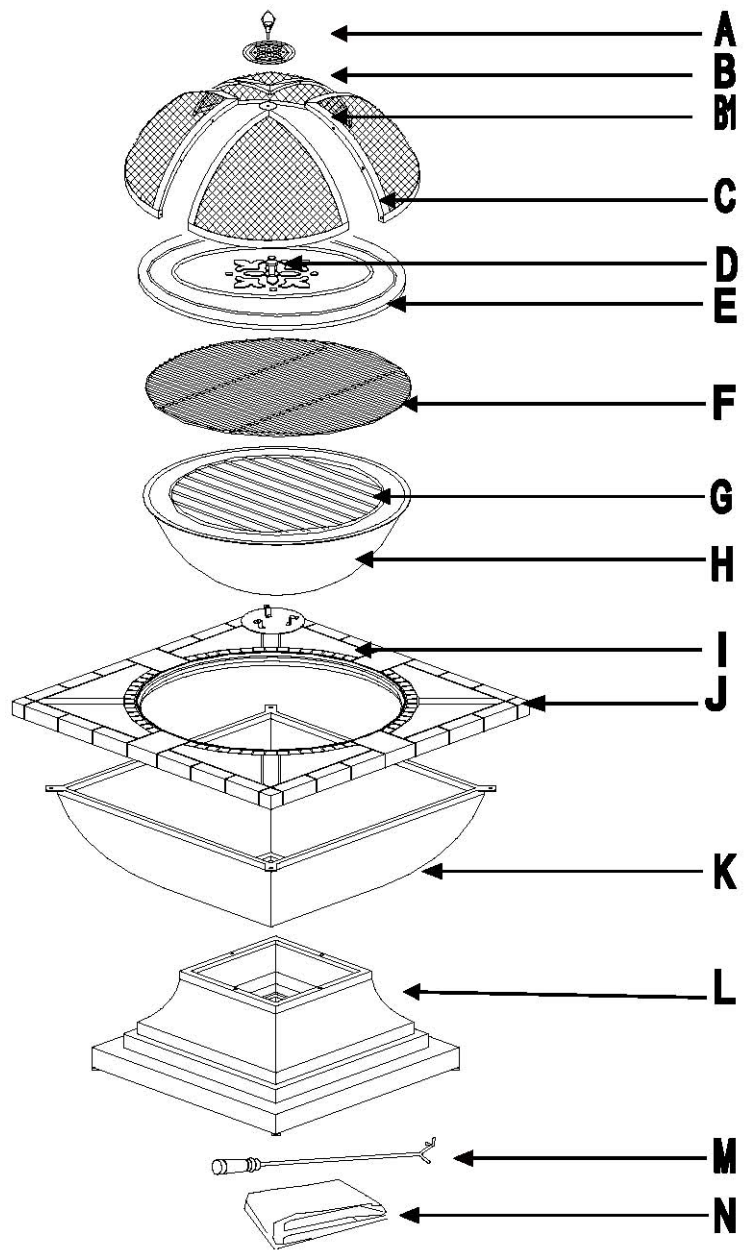
customer.care@sunjoydirect.com

Monday - Friday, 8:30 am - 5:30 pm, Eastern Time

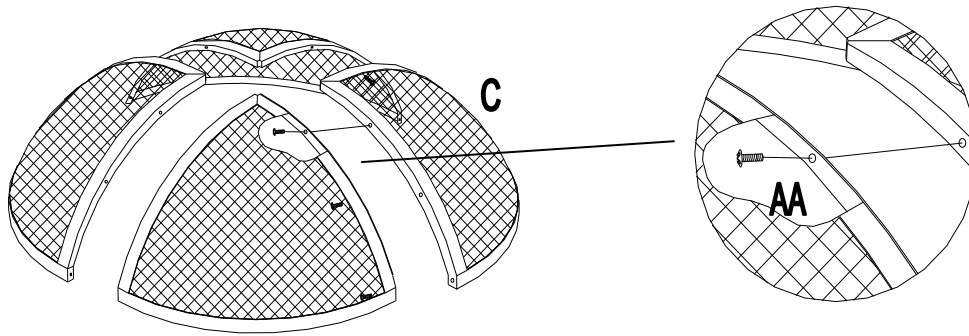


Part list

No.	Description	Qty
A	Handle	1
B	Top decorative	1
B1	Decorative connect	1
C	Mesh screen	4
D	Handle	1
E	Table top lid	1
F	Cooking grate	1
G	Log grate	1
H	Fire bowl	1
I	Ash tray	1
J	Table top	1
K	Base top	1
L	Base bottom	1
M	Poker	1
N	Protective cover	1
AA	Bolt M5*10	12
BB	Nut M5	3
CC	Nut M6	5
DD	Bolt M5*12	3
EE	Bolt M6*20	1
FF	Bolt M6*15	4
GG	Bolt M6*35	4
HH	Flat washer M6	12
II	Wrench M5/M6	2

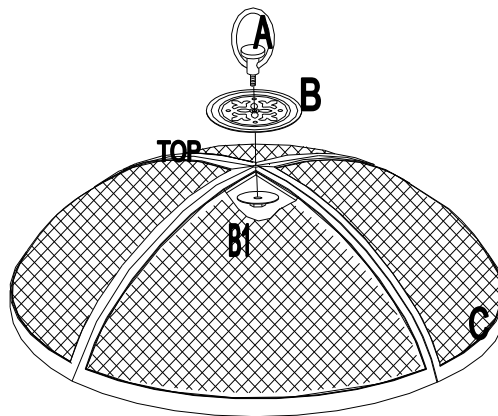


Step 1



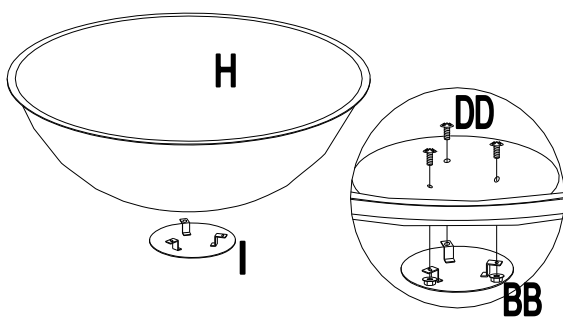
Connect the mesh screens (C) with bolts (AA). Do not fully tighten.

Step 2



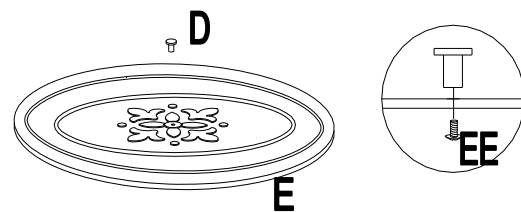
Insert handle (A) into decorative connect (B) and mesh screens (C) connect with top decorative (B1). Tighten all the bolts.

Step 3



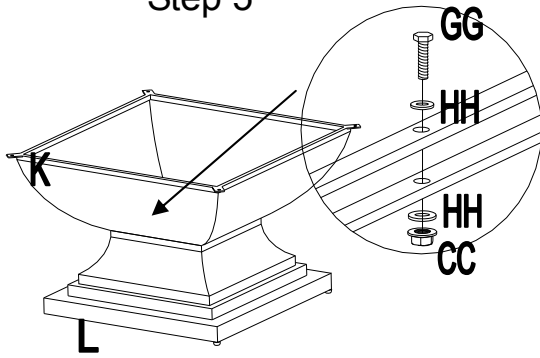
Attach ash tray (I) to fire bowl (H), using bolts (DD) and nuts (BB).

Step 4



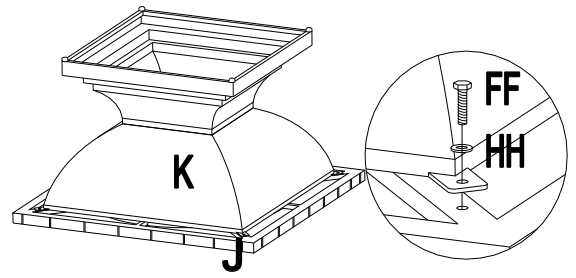
Attach handle (D) to table top lid (E) with bolts (EE).

Step 5



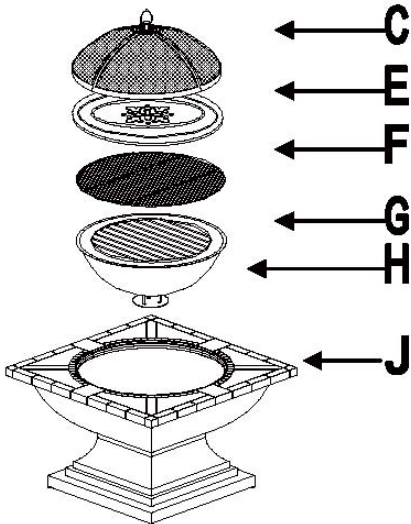
Connect base top (K) and base bottom (L), using bolts (GG), flat washers (HH) and nuts (CC).

Step 6



Carefully turn over the assembled base top (K), attach base top (K) to table top (J) with bolts (FF) and flat washers (HH).

Step 7



Turn over the assembled table top (J), put on fire bowl (H), log grate (G), cooking grate (F), table top lid (E), mesh screen (C).

Your cook pit is ready for use now.

Cleaning and care of the cooking grate. After cooking on your grate you can allow any accumulated residue to burn off, this will reduce the amount of cleaning required for the grill and inside of the cooking pit. Once the fire and embers have died down and cooled off, brush any loose particles from the grate with a grill brush, do not attempt while the grate is hot! Let it cool first. For a more thorough cleaning you can use mild soap and water and gently scrub the grate with fine steel wool.

Remove ashes from the fire bowl. It is important to remove the accumulated ashes from the fire bowl when they are cold. Ashes absorb moisture and may promote premature rusting and will also prevent the proper air flow required for grilling.

Protective fabric cover. After the unit has fully cooled, place the protective fabric cover over the cook pit to help protect it from the outdoor elements.

Cook pit poker. The poker is not intended for food use.