

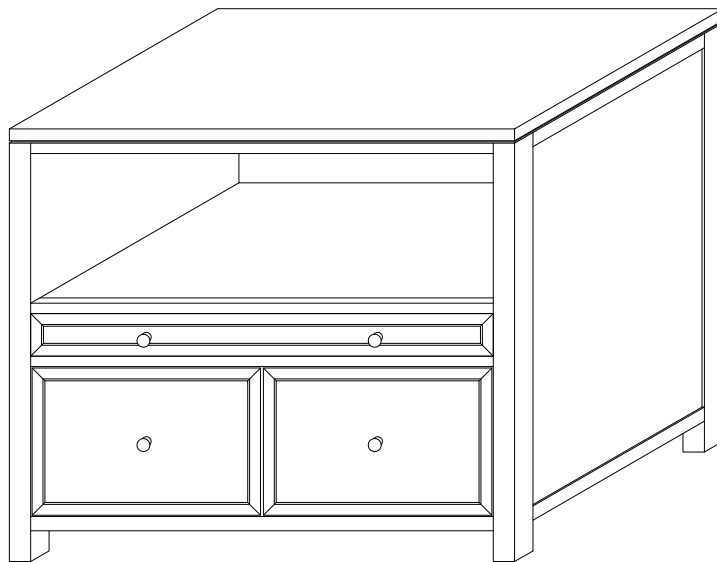
# HOME DECORATORS COLLECTION

BF-25140 COMBINATION FILE STORAGE WITH  
OPEN STORAGE BASE 36"H×42"W×20"D

INV#16062

ASSEMBLY INSTRUCTIONS


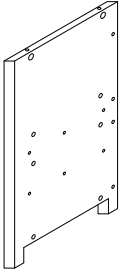
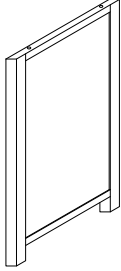


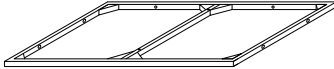
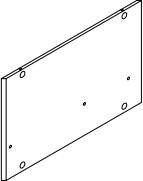
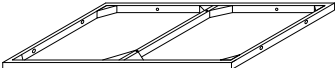
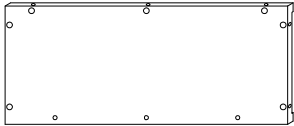
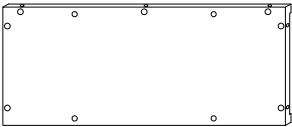
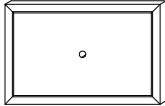
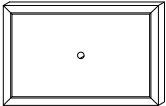
Made In China



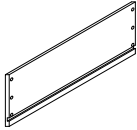
Thank you for purchasing this quality product. Be sure to check all packing material carefully for small parts, which may have came loose inside the carton during shipment. Count all parts and material hardware, then compare with parts list to be sure all parts are present. If any parts are missing or damaged, phone, fax, or mail to our Customer Service Department for efficient and speedy service. Please indicate the model number and code letter of part(s) needed.

**IMPORTANT NOTE:** Follow instructions listed below in proper sequence as numbered to assure fast, easy and correct assembly.

## PARTS LIST

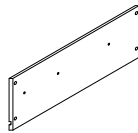
<b>A</b>	<b>B</b>	<b>C</b>
 <p>TOP PANEL-1PC</p>	 <p>LEFT SIDE PANEL-1PC</p>	 <p>RIGHT SIDE PANEL-1PC</p>
<b>D</b>	<b>E</b>	<b>F</b>
 <p>ADORNING PANEL-1PC</p>	 <p>ACROSS PANEL-1PC</p>	 <p>ACROSS FRAME-1PC</p>
<b>G</b>	<b>H</b>	<b>I</b>
 <p>STADND PANEL-1PC</p>	 <p>BOTTOM FRAME-1PC</p>	 <p>UP BACK PANEL-1PC</p>
<b>J</b>	<b>K</b>	<b>L</b>
 <p>DOWN BACK PANEL-1PC</p>	 <p>SMALL LEFT DRAWER PANEL FRONT-1PC</p>	 <p>SMALL RIGHT DRAWER PANEL FRONT-1PC</p>

**M**



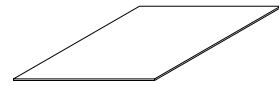
SMALL LEFT  
DRAWER PANEL SIDES-2PCS

**N**



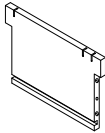
SMALL RIGHT  
DRAWER PANEL SIDES-2PCS

**O**



SMALL  
DRAWER PANEL BOTTOMS-2PCS

**P**



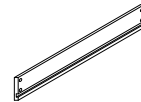
SMALL  
DRAWER PANEL BACK-1PC

**Q**



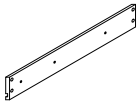
LARGE  
DRAWER PANEL FRONT-1PC

**R**



LARGE LEFT  
DRAWER PANEL SIDE-1PC

**S**



LARGE RIGHT  
DRAWER PANEL SIDE-1PC

**T**



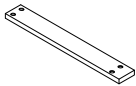
LARGE  
DRAWER PANEL BOTTOM-1PC

**U**



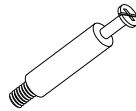
LARGE  
DRAWER PANEL BACK-1PC

**V**



DRAWER SUPPORT PANELS-2PCS

**W**



CAM-BOLTS-25PCS

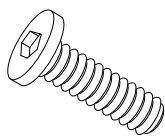
**X**



CAM-LOCKS-25PCS

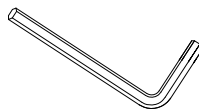
**Y**

11mm x 1"



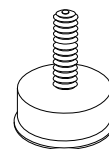
BOLTS-8PCS

**Z**



ALLEN WRENCH-1PC

**A1**



FEET-4PCS

**B1**



KNOBS-4PCS

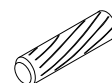
**C1**

8mm x 5/8"

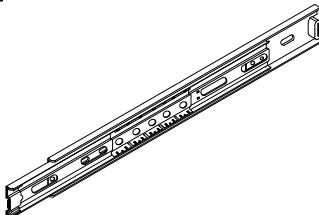
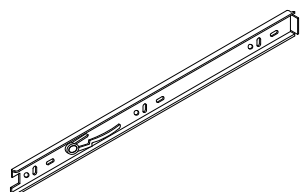
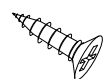
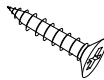

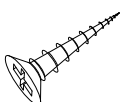

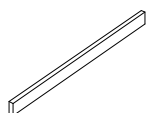
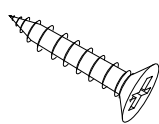
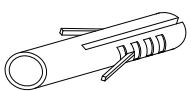
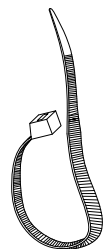
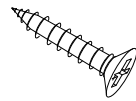
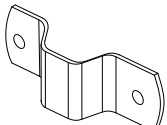
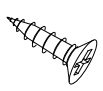
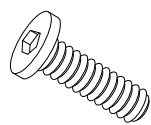
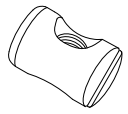


SCREWS-4PCS

**D1**

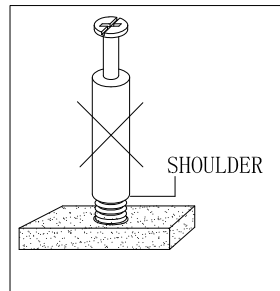
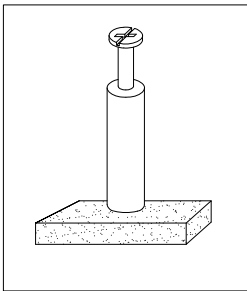


DOWELS-8PCS

<p><b>E1</b></p>  <p>OUTER SLIDES-6PCS</p>	<p><b>F1</b></p>  <p>INNER SLIDES-6PCS</p>	<p><b>G1</b> 6mm × 1/2"</p>  <p>SCREWS-30PCS</p>
<p><b>H1</b> 6mm × 1"</p>  <p>SCREWS-32PCS</p>	<p><b>I1</b></p>  <p>CAM-LOCK CAPS-11PCS</p>	<p><b>J1</b> 8mm × 1"</p>  <p>SCREWS-3PCS</p>
<p><b>K1</b></p>  <p>CAM-TOOL-1PC</p>	<p><b>L1</b></p>  <p>FILE HANGERS-4PCS</p>	<p><b>M1</b> 7mm × 7/8"</p>  <p>SCREWS-4PCS</p>
<p><b>N1</b></p>  <p>GECKOS-4PCS</p>	<p><b>O1</b></p>  <p>PLASTIC BELTS-2PCS</p>	<p><b>P1</b> 6mm × 3/4"</p>  <p>SCREWS-4PCS</p>
<p><b>Q1</b></p>  <p>HOOKS-4PCS</p>	<p><b>R1</b> 6mm × 3/8"</p>  <p>SCREWS-6PCS</p>	<p><b>S1</b> 11mm × 1-1/2"</p>  <p>BOLTS-4PCS</p>
<p><b>T1</b></p>  <p>NUTS-4PCS</p>		

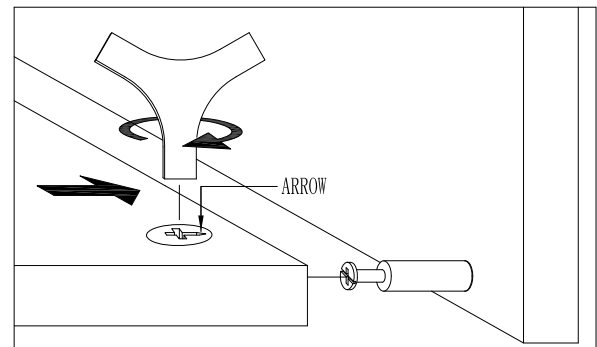
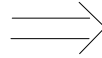
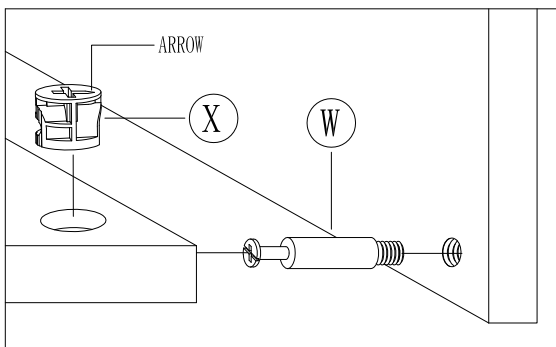
NOTE: THE SURFACE WITH THE STICKER IS THE BACK SIDE.

NOTE: ● UPON OPENING, THOROUGHLY CLEAN ALL WOOD SURFACES TO REMOVE DUST AND DIRT THAT MAY HAVE SETTLED ONTO FINISH DURING SHIPMENT. IN ORDER TO PREVENT DAMAGE DURING ASSEMBLY, PLEASE ASSEMBLE THIS ITEM WITH AT LEAST TWO PEOPLE.

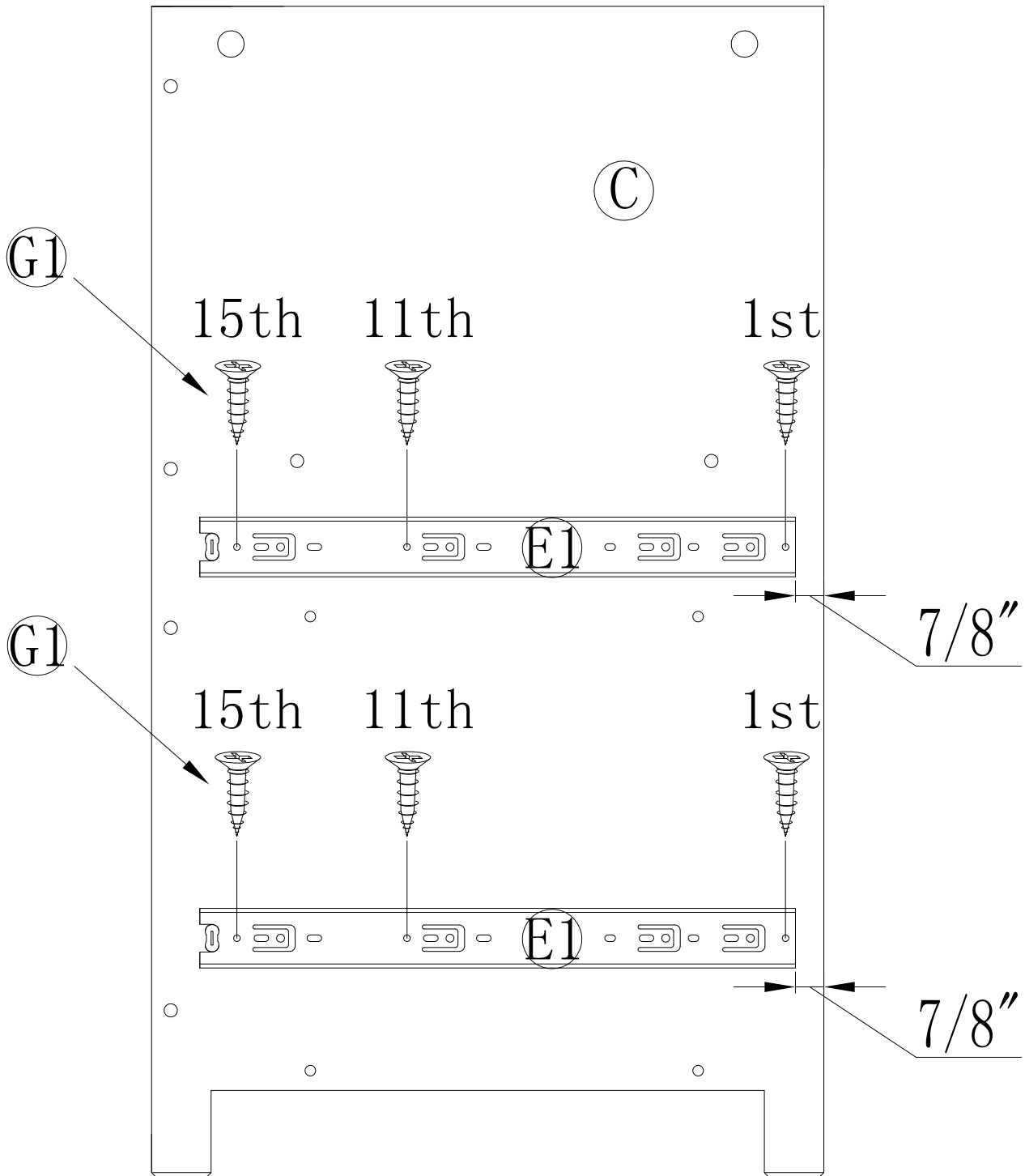


NOTE: TURN THE CAM-BOLT SCREWS UNTIL THEY ARE TIGHT, THE SHOULDER SHOULD BE AGAINST THE SURFACE OF THE PART.

### HOW TO USE THE CAM-TOOL

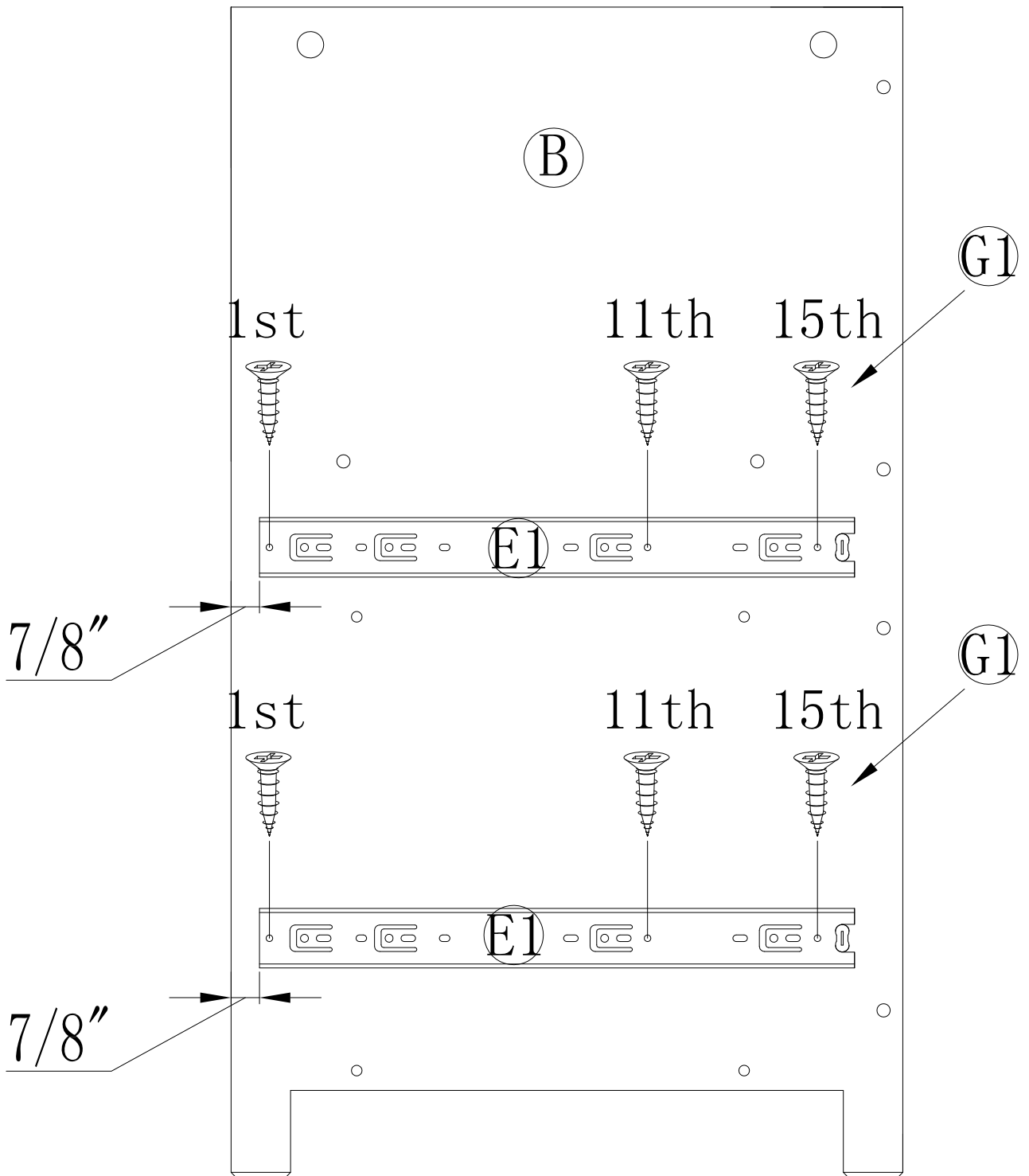


NOTE: ● THE ARROWS ON THE HIDDEN CAM-LOCKS SHOULD POINT TO THE CAM-BOLTS



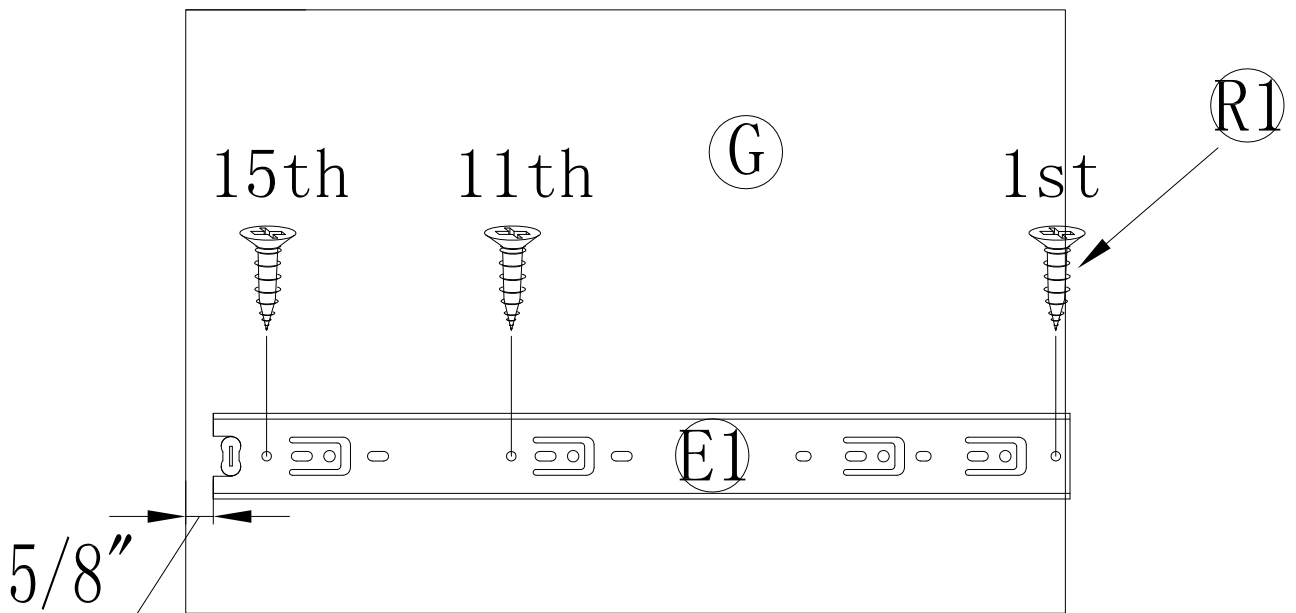
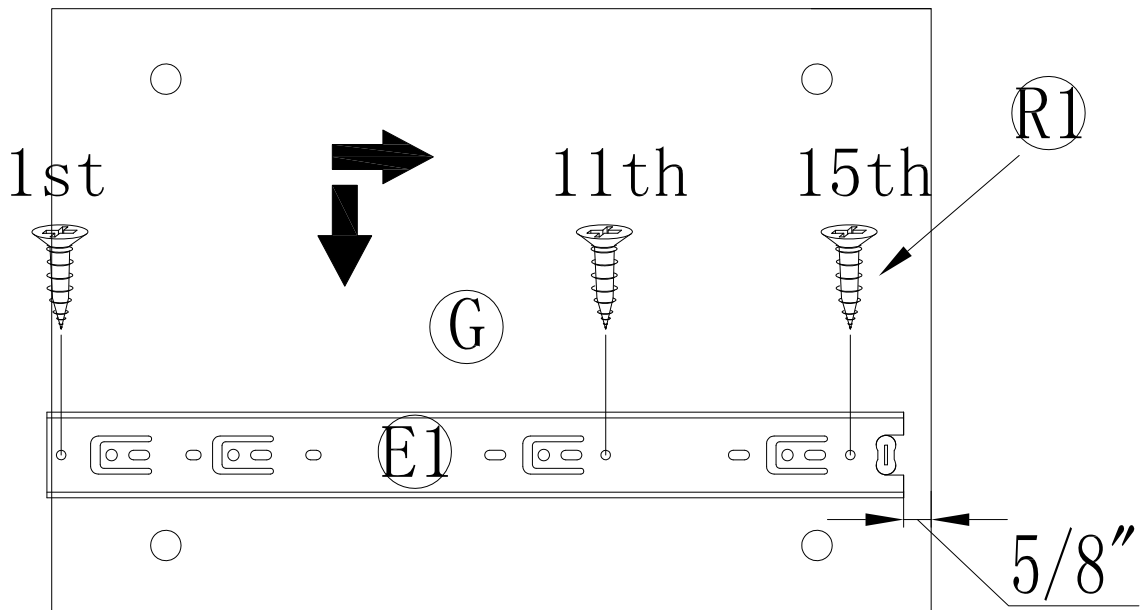
1). ASSEMBLE THE OUTER SLIDES (E1).

- ATTACH THE OUTER SLIDES (E1) TO RIGHT SIDE PANEL (C) USING 6 SCREWS (G1).



2). ASSEMBLE THE OUTER SLIDES (E1).

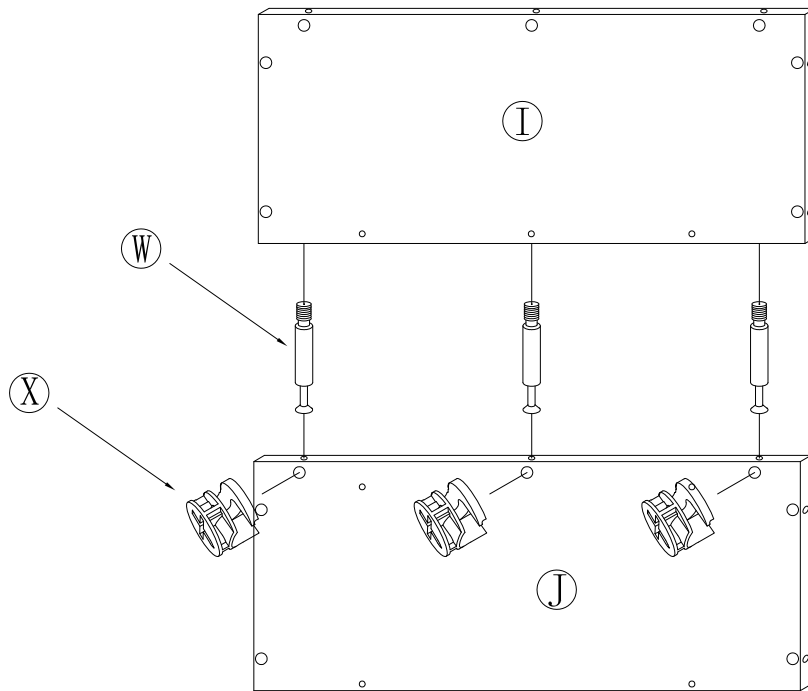
- ATTACH THE OUTER SLIDES (E1) TO LEFT SIDE PANEL (B) USING 6 SCREWS (G1).



3). ASSEMBLE THE OUTER SLIDES (E1).

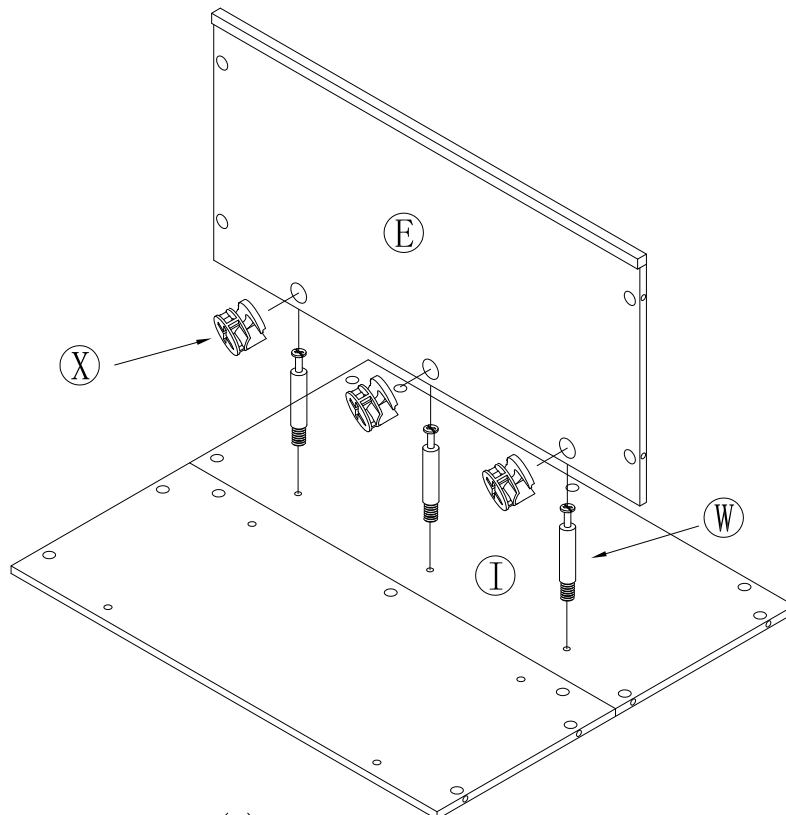
- ATTACH THE OUTER SLIDES (E1) TO STAND PANEL (G) USING 6 SCREWS (R1).





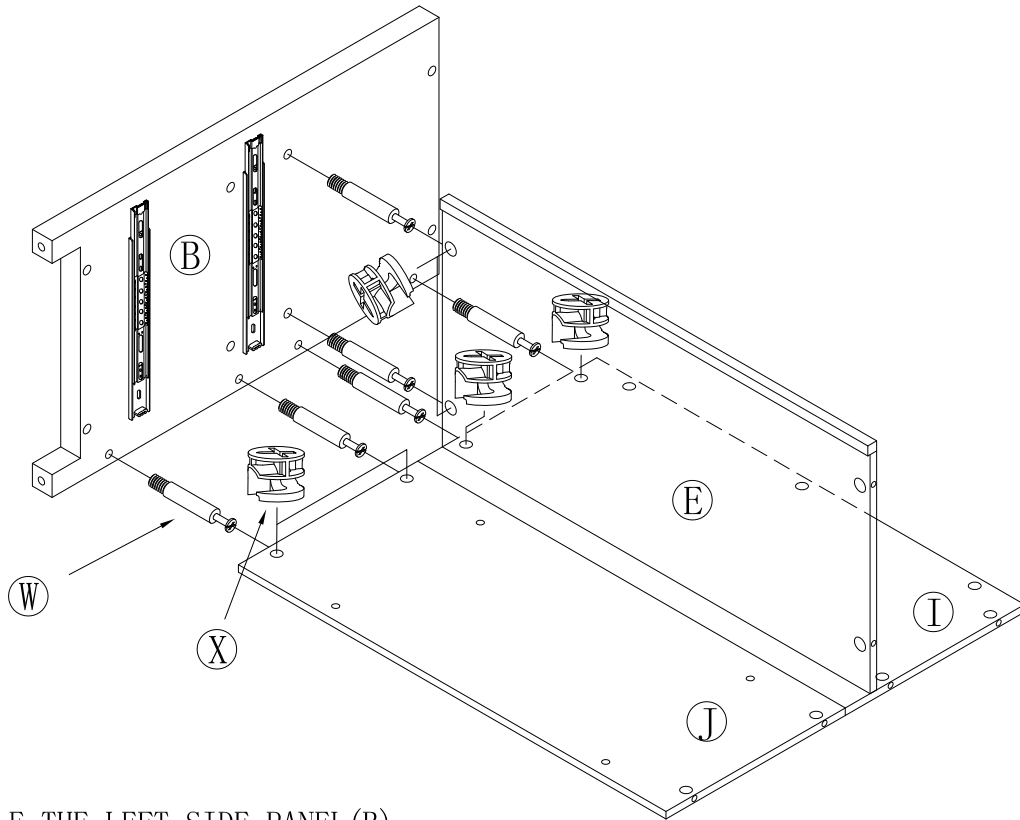
4). ASSEMBLE THE BACK PANEL (I/J).

- ROTATE 3 CAM-BOLTS(W) INTO THE HOLES IN THE UP BACK PANEL (I).
- PLACE 3 CAM-BOLTS(W) INTO THE HOLES IN THE DOWN BACK PANEL (J) AND ATTACH USING 3 CAM-LOCKS(X).



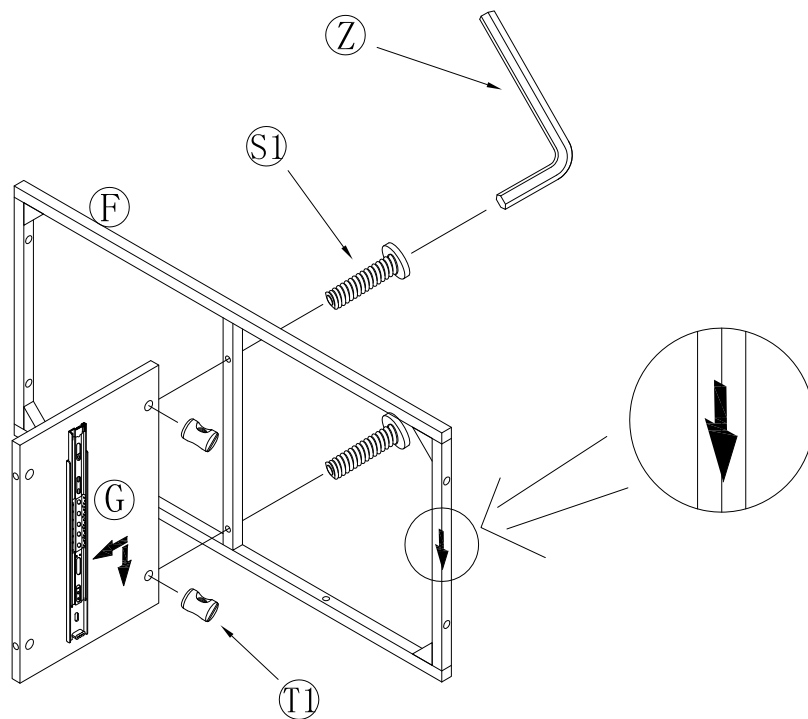
5). ASSEMBLE THE ACROSS PANEL (E).

- ROTATE 3 CAM-BOLTS(W) INTO THE HOLES IN THE UP BACK PANEL (I).
- PLACE 3 CAM-BOLTS(W) INTO THE HOLES IN THE ACROSS PANEL (E) AND ATTACH USING 3 CAM-LOCKS(X).



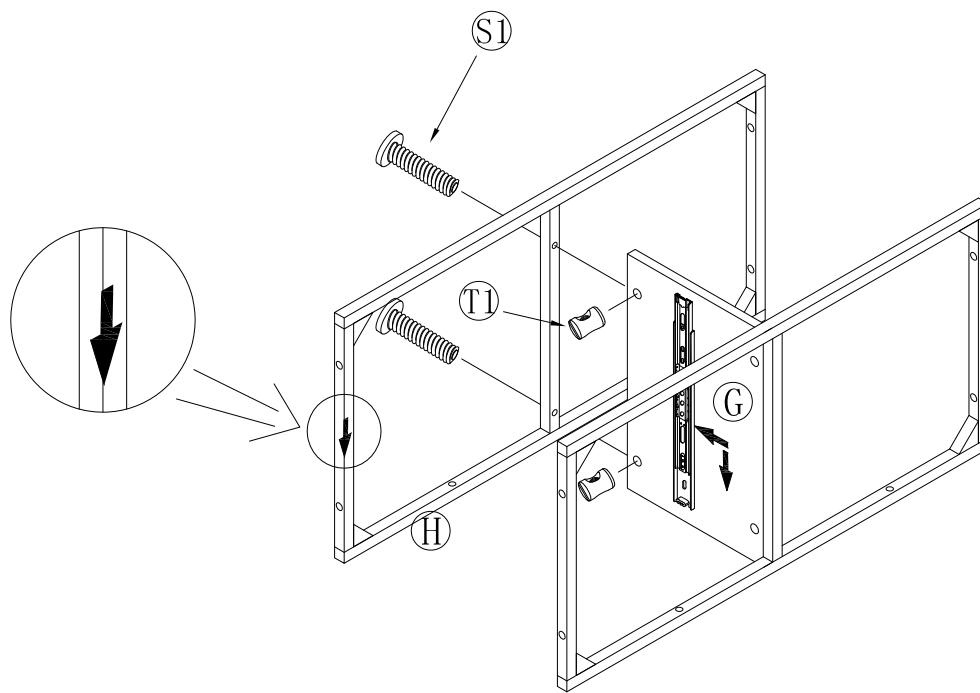
6). ASSEMBLE THE LEFT SIDE PANEL (B).

- ROTATE 6 CAM-BOLTS (W) INTO THE HOLES IN THE LEFT SIDE PANEL (B).
- PLACE 6 CAM-BOLTS (W) INTO THE HOLES IN THE PANEL (E/I/J) AND ATTACH USING 6 CAM-LOCKS (X).



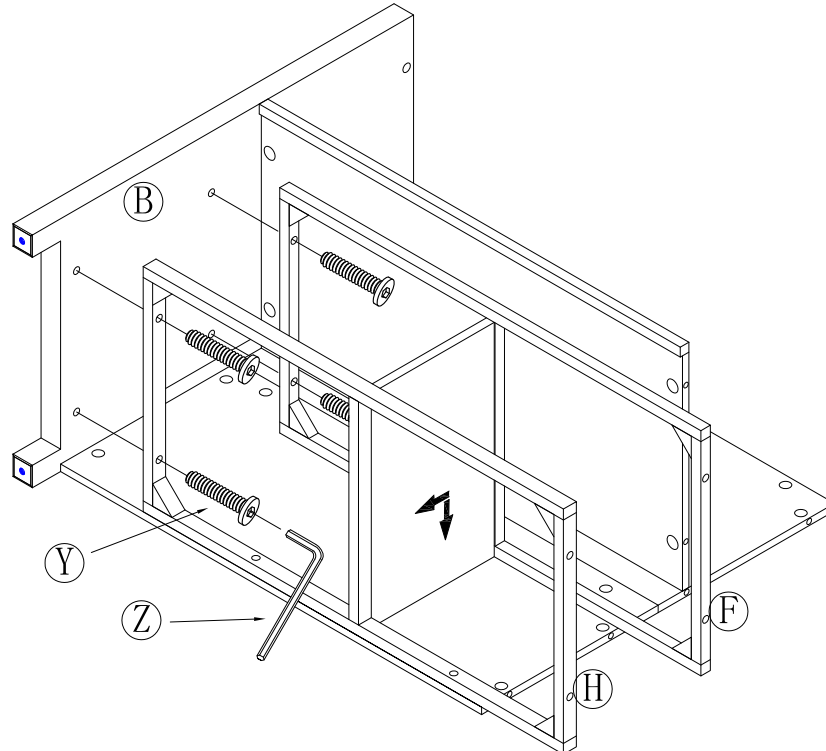
7). ASSEMBLE THE STAND PANEL (G).

- INSERT 2 NUTS (T1) INTO THE HOLES IN THE STAND PANEL (G).
- ATTACH THE STAND PANEL (G) TO ACROSS FRAME (F) USING 2 BOLTS (S1).



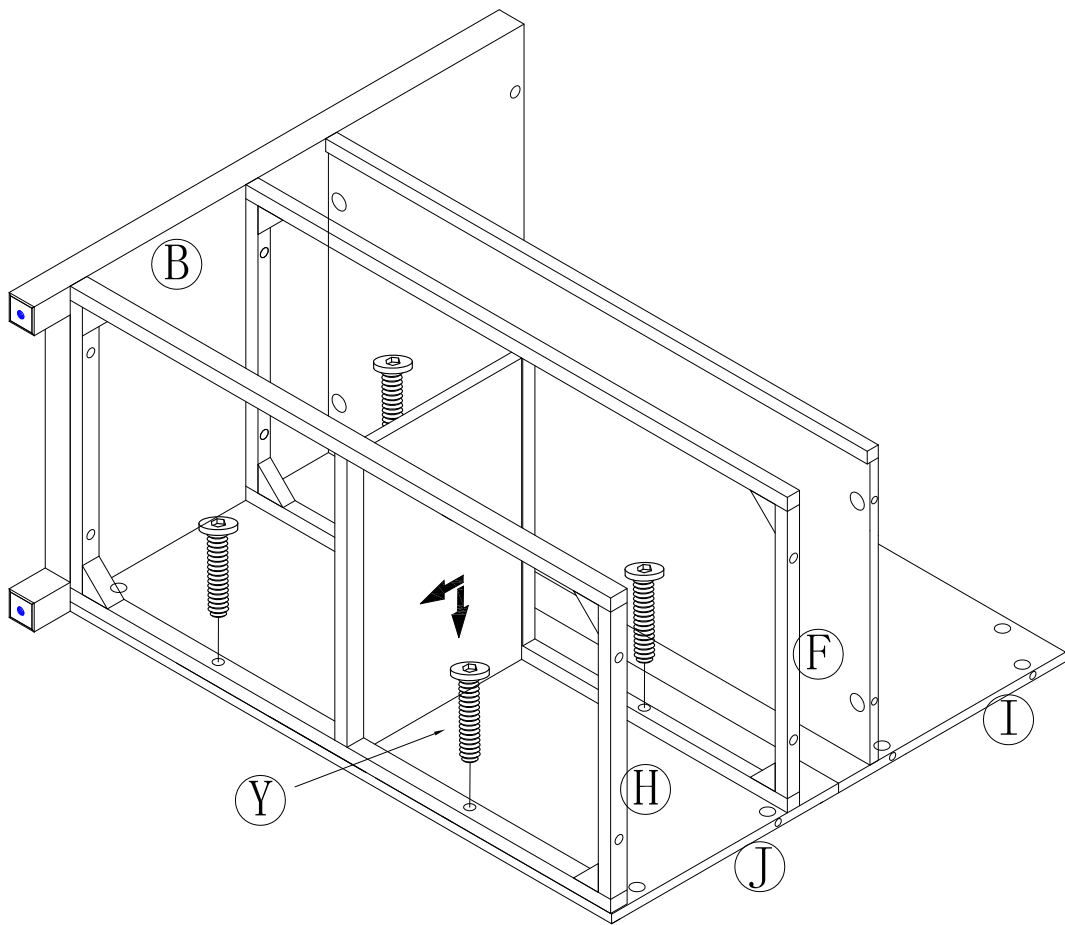
8). ASSEMBLE THE BOTTOM FRAME (H).

- INSERT 2 NUTS (T1) INTO THE HOLES IN THE STAND PANEL (G).
- ATTACH THE BOTTOM FRAME (H) TO STAND PANEL (G) USING 2 BOLTS (S1).



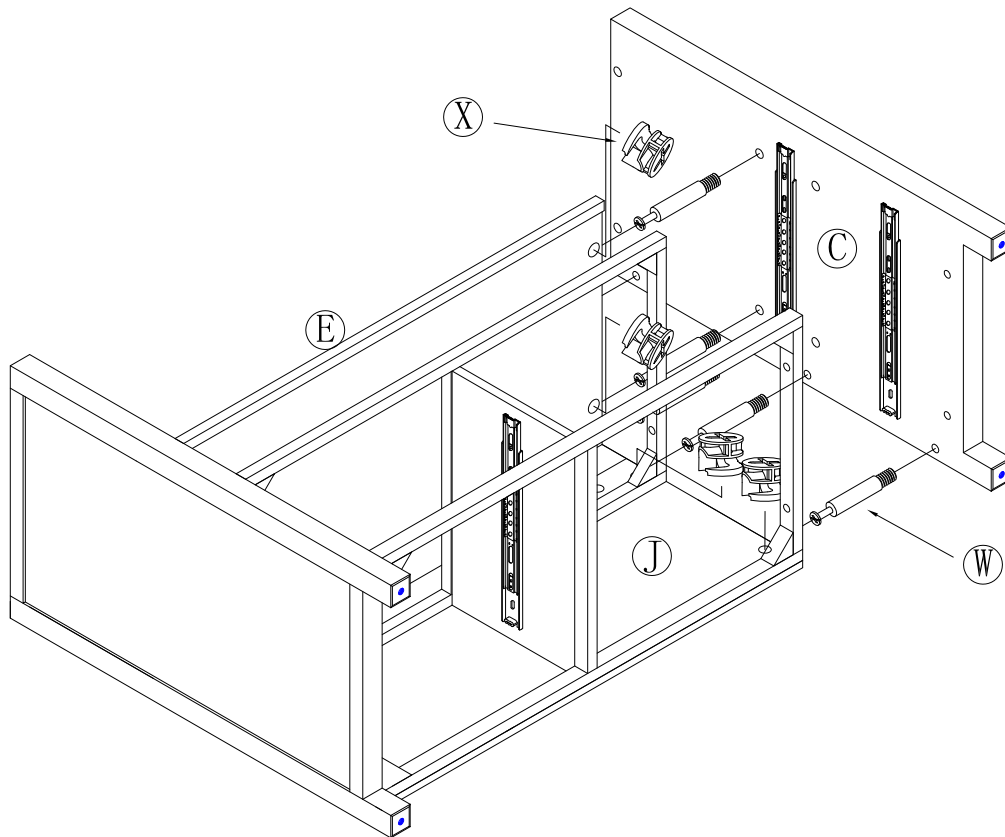
9). ASSEMBLE THE FRAME (F/H).

- ATTACH THE FRAME (F/H) TO LEFT SIDE PANEL (B) USING 4 BOLTS (Y).



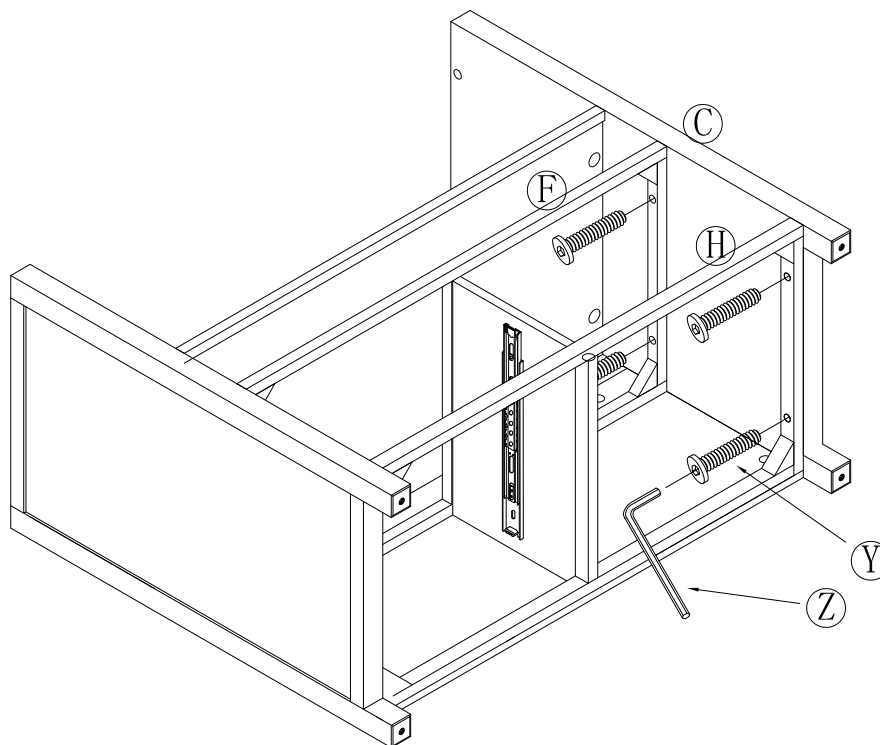
10). ASSEMBLE THE FRAME (F/H).

- ROTATE 4 BOLTS (Y) INTO THE HOLES IN THE FRAME (F/H).



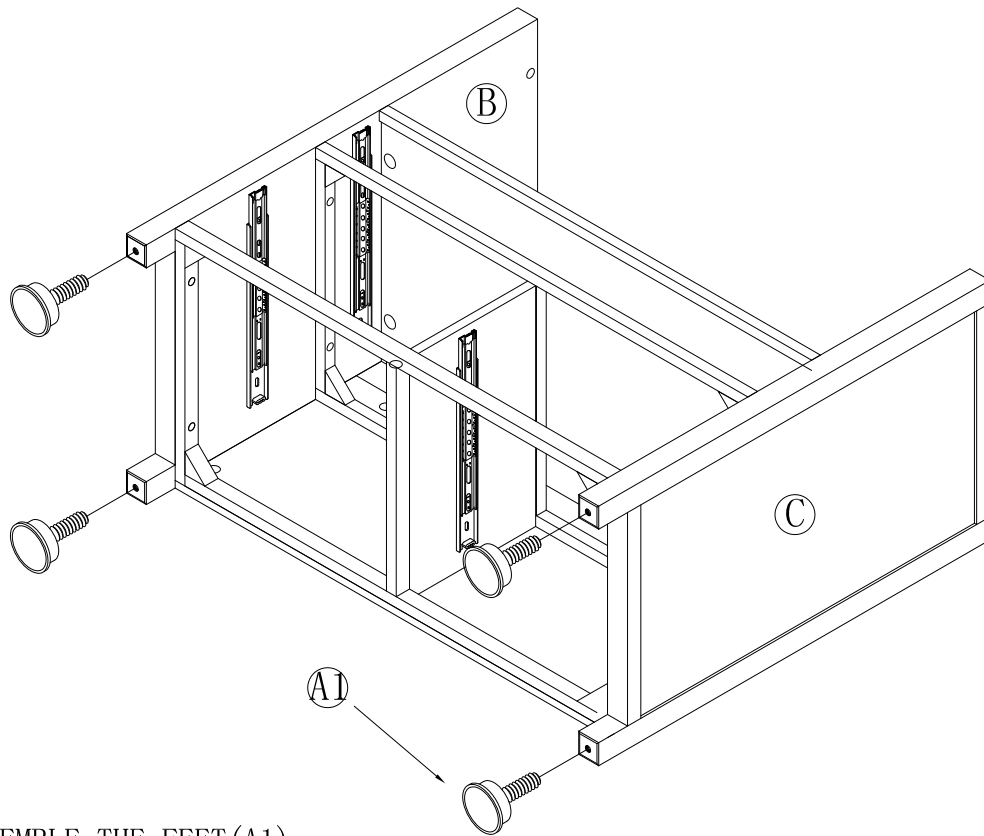
11). ASSEMBLE THE RIGHT SIDE PANEL (C).

- ROTATE 6 CAM-BOLTS (W) INTO THE HOLES IN THE RIGHT SIDE PANEL (C).
- PLACE 6 CAM-BOLTS (W) INTO THE HOLES IN THE PANEL (E/I/J) AND ATTACH USING 6 CAM-LOCKS (X).



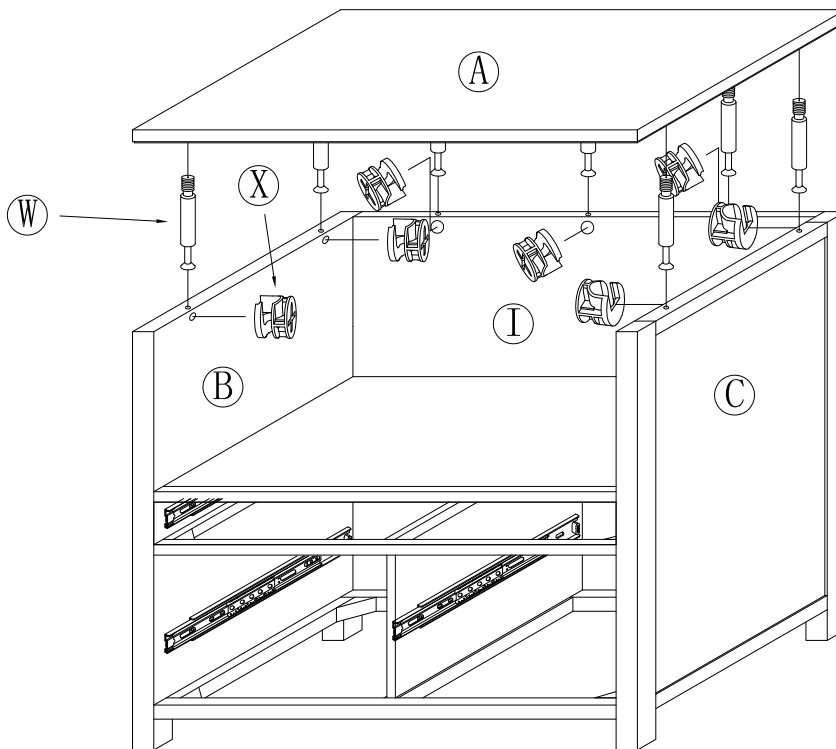
12). ASSEMBLE THE FRAME (F/H).

- ROTATE 4 BOLTS (Y) INTO THE HOLES IN THE FRAME (F/H).



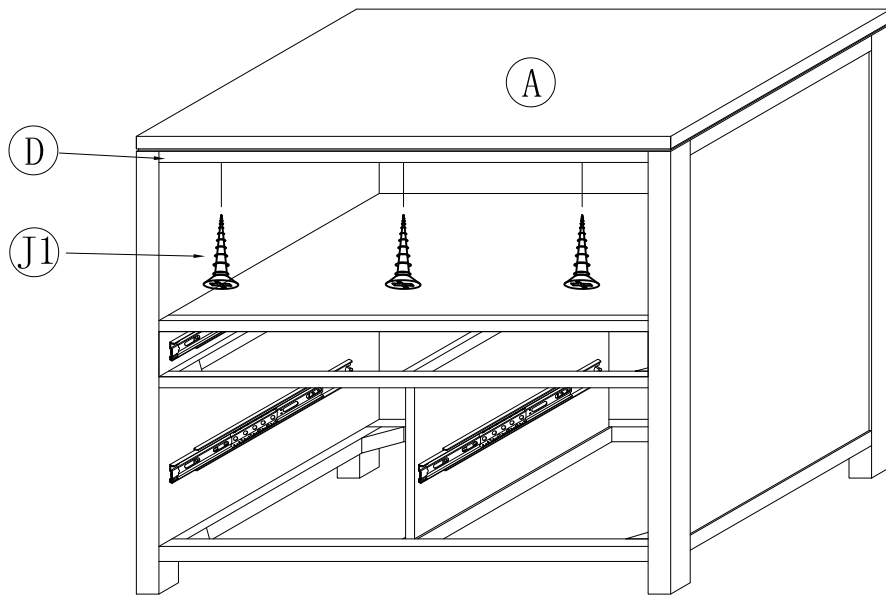
13). ASSEMBLE THE FEET (A1).

- ROTATE 4 FEET (A1) INTO THE HOLES IN THE SIDE PANEL (B/C).



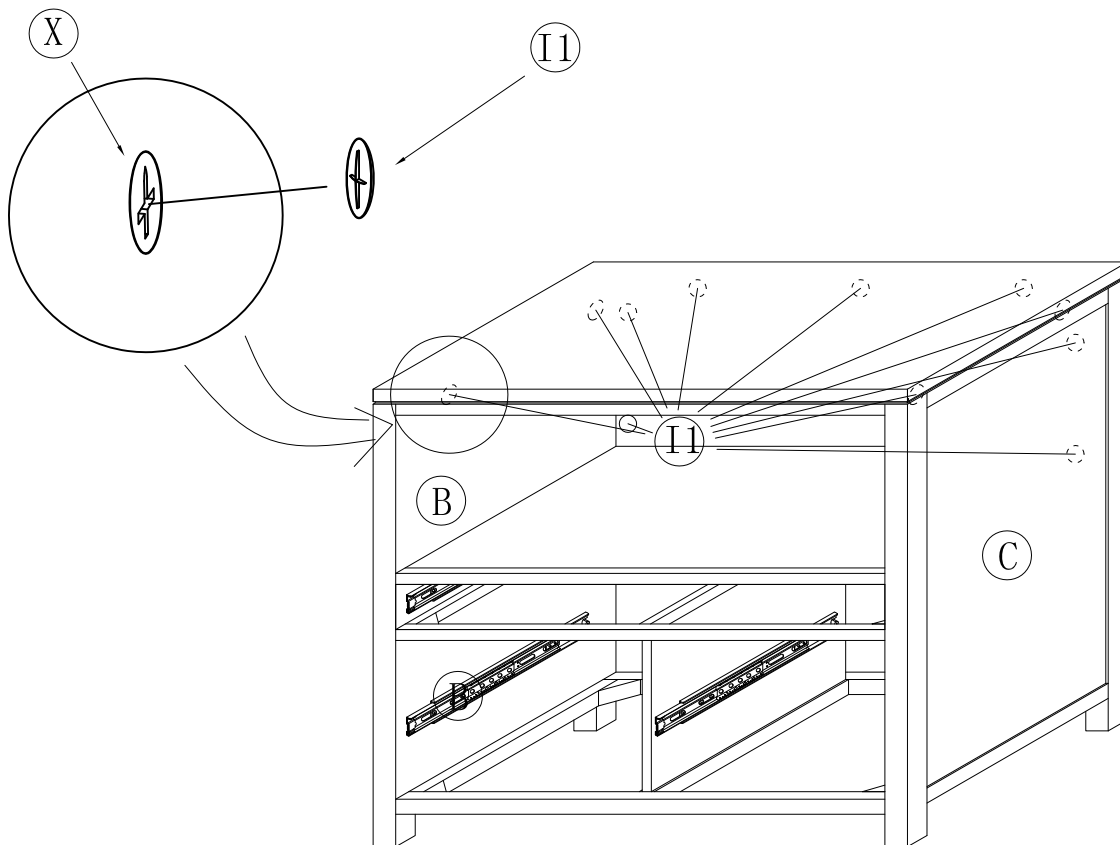
14). ASSEMBLE THE TOP PANEL (A).

- ROTATE 7 CAM-BOLTS (W) INTO THE HOLES IN THE TOP PANEL (A).
- PLACE 7 CAM-BOLTS (W) INTO THE HOLES IN THE PANEL (B/C/I) AND ATTACH USING 7 CAM-LOCKS (X).



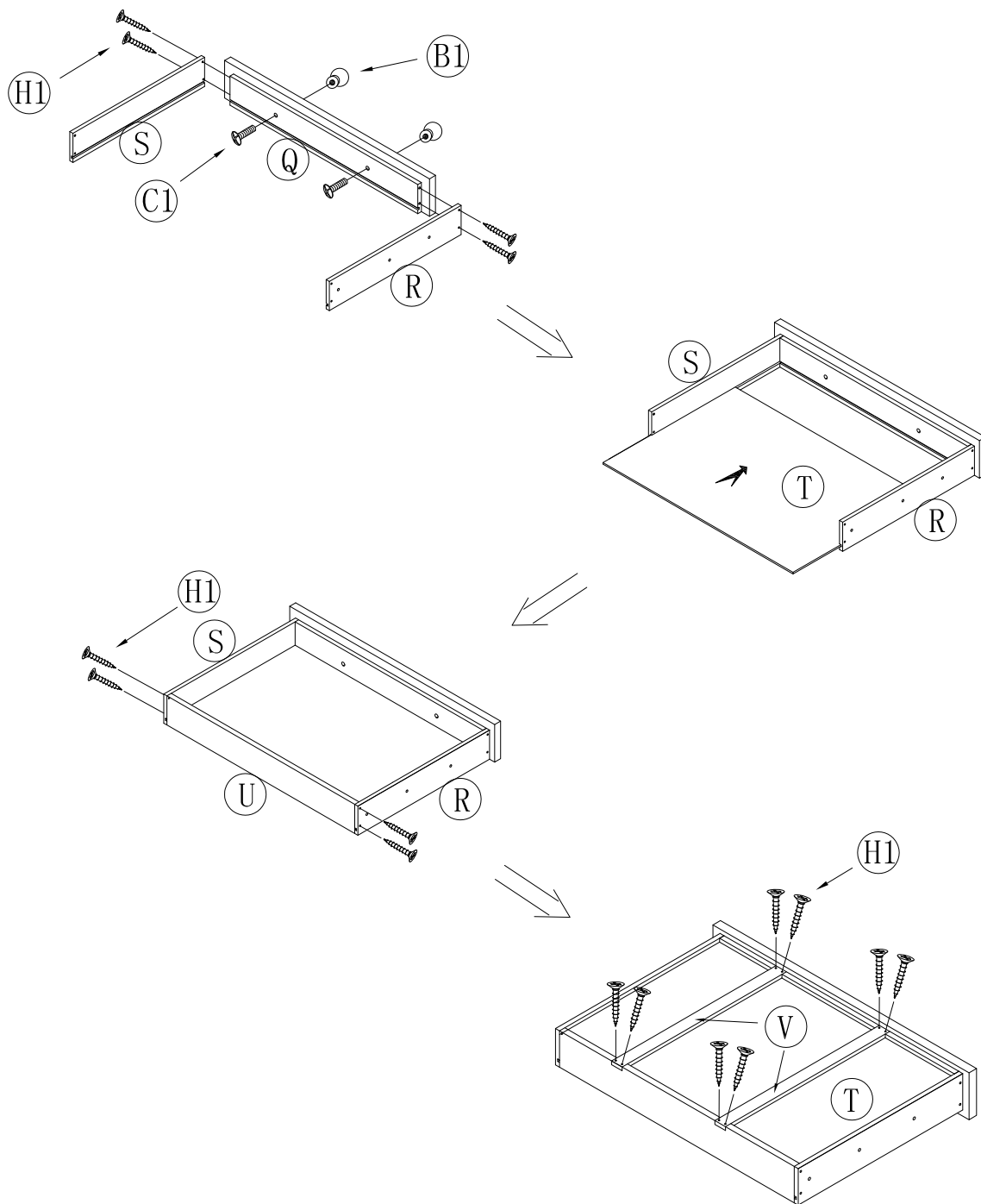
15). ASSEMBLE THE ADORNING PANEL (D).

- ATTACH THE ADORNING PANEL(D) TO TOP PANEL(A) USING 3 SCREWS(J1).



16). ASSEMBLE THE CAM-LOCK CAPS (I1).

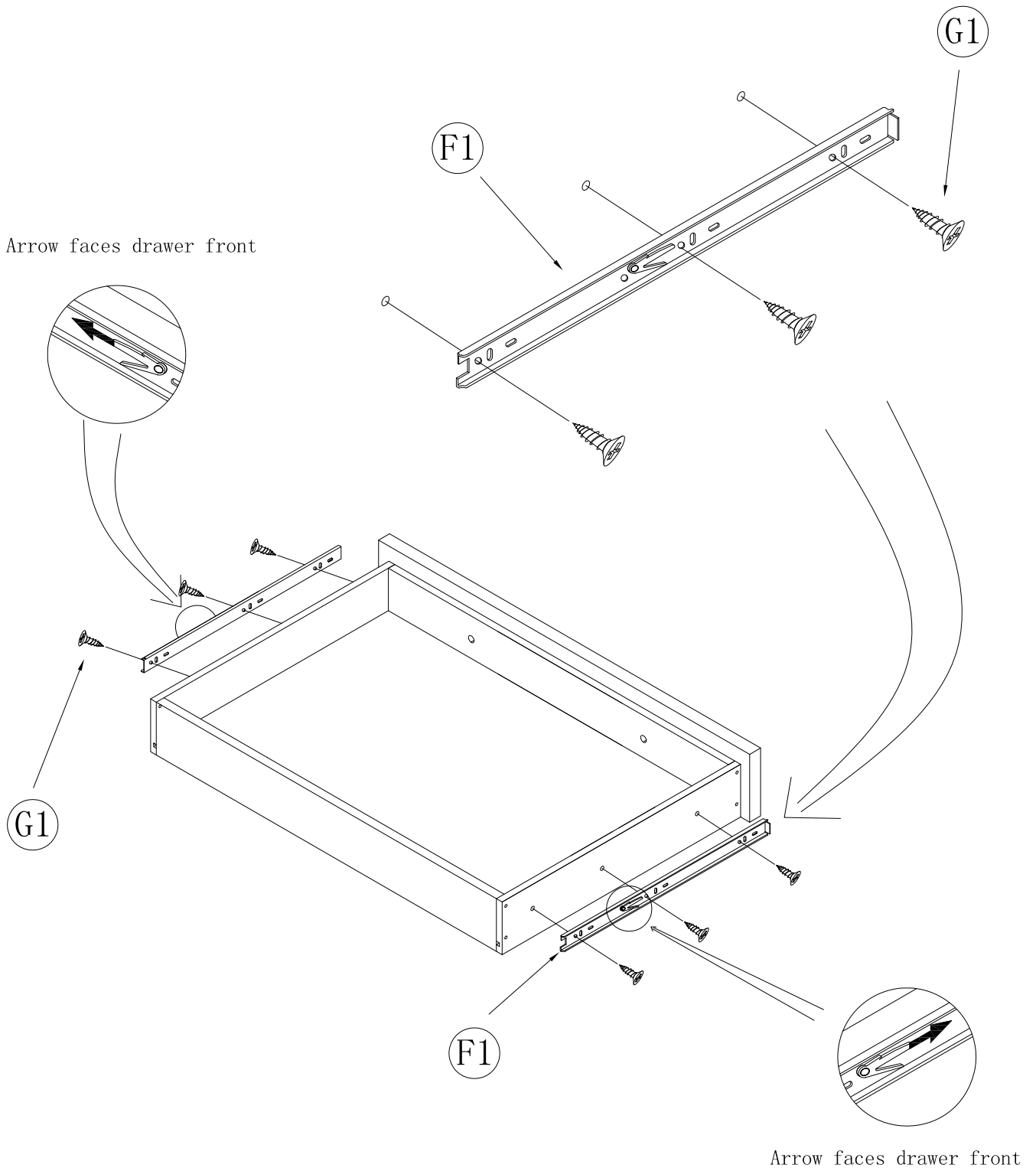
- ATTACH THE 11 CAM-LOCK CAPS(I1) ONTO THE 11 CAM-LOCKS(X).



17). ASSEMBLE THE LARGE DRAWER.

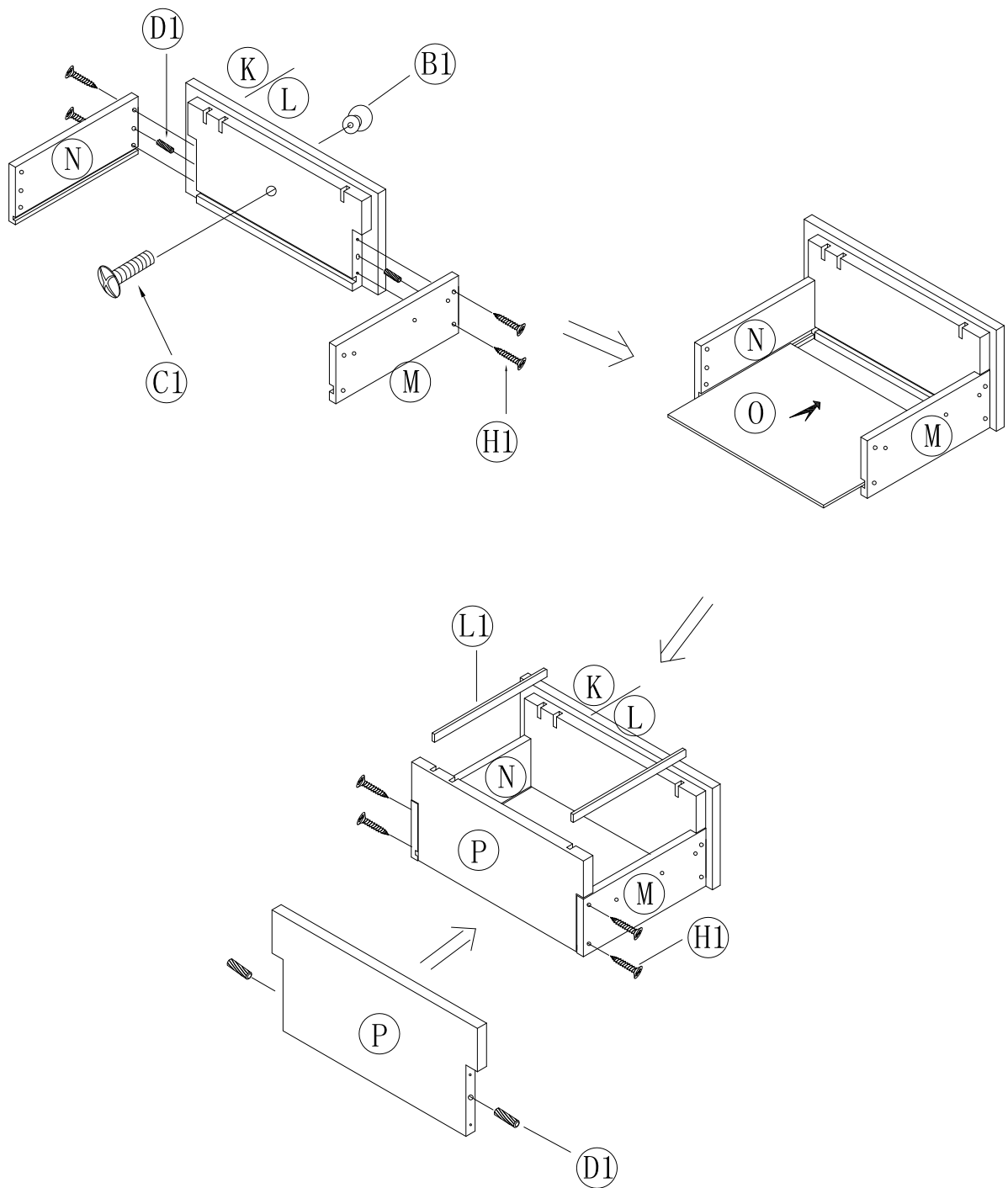
- ATTACH LARGE SIDE PANEL (R/S) USING 4 SCREWS (H1).
- ATTACH 2 KNOBS (B1) TO LARGE DRAWER PANEL FRONT (Q) USING 2 SCREWS (C1).
- INSERT THE LARGE DRAWER PANEL BOTTOM (T) INTO THE SLOTS IN THE LARGE DRAWER PANEL SIDES (R/S).
- ATTACH LARGE DRAWER PANEL BACK (U) BETWEEN LARGE LEFT DRAWER PANEL SIDE (R) AND LARGE RIGHT PANEL SIDE (S) USING 4 SCREWS (H1).
- ATTACH 2 DRAWER SUPPORT PANELS (V) TO BOTTOM PANEL (T) USING 8 SCREWS (H1).





18). ASSEMBLE THE INNER SLIDES (F1).

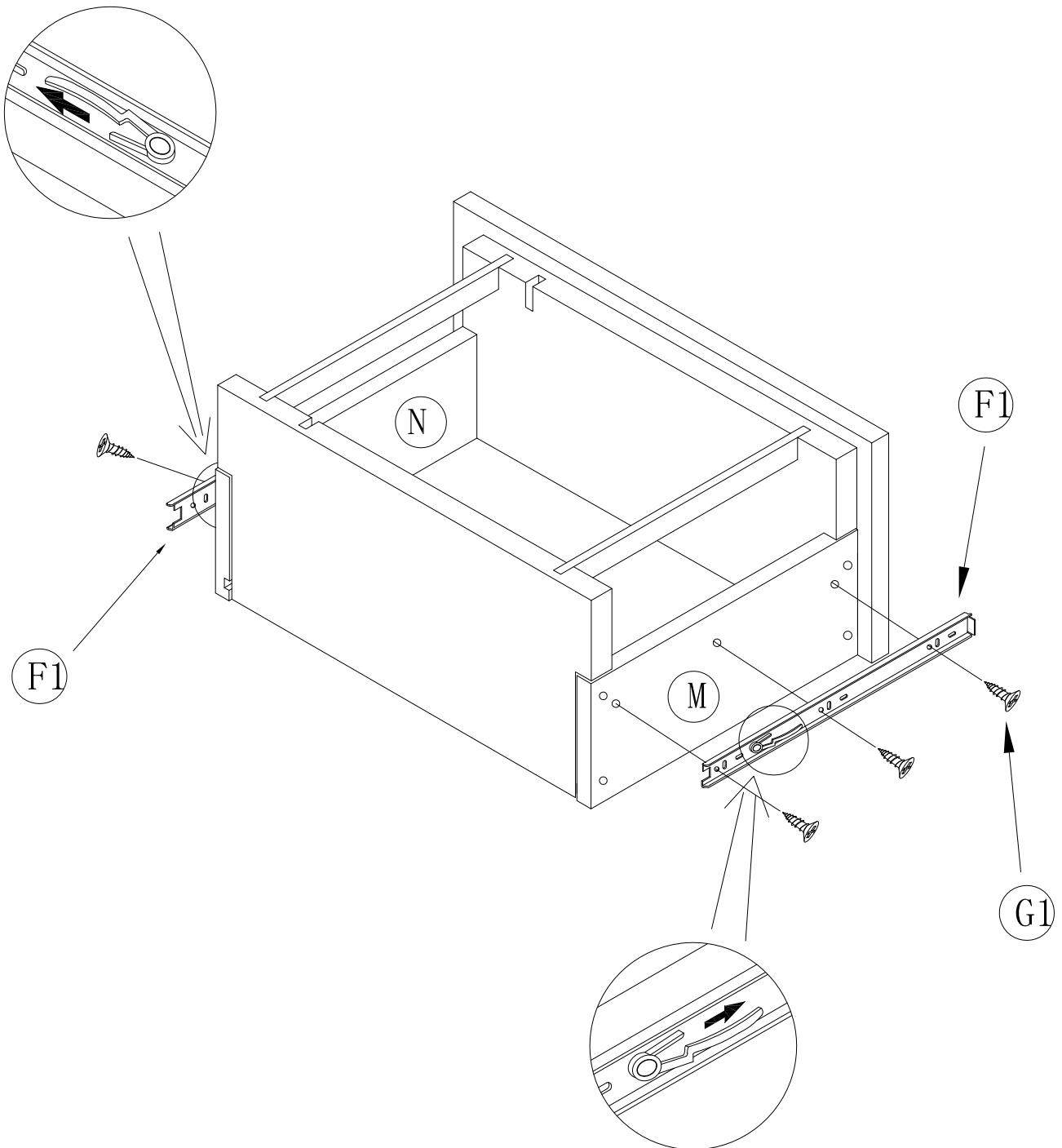
- ATTACH THE 2 INNER SLIDES (F1) TO LARGE DRAWER PANEL SIDE (R/S) USING 6 SCREWS (G1).



19). ASSEMBLE THE SMALL DRAWER.

- INSERT 2 DOWELS(D1) INTO THE HOLES IN THE SMALL DRAWER PANEL FRONT(K/L) AND ATTACH SMALL DRAWER PANEL SIDE(M/N) USING 4 SCREWS(H1).
- ATTACH THE KNOB(B1) TO SMALL DRAWER PANEL FRONT(K/L) USING 1 SCREW(C1).
- INSERT SMALL DRAWER PANEL BOTTOM(O) INTO THE SLOT IN THE SMALL DRAWER PANEL SIDE(M/N).
- INSERT 2 DOWELS(D1) INTO THE HOLES IN THE SMALL DRAWER PANEL BACK(P) USING 4 SCREWS(H1).
- INSERT THE FILE HANGERS(L1) INTO THE CUT-OUT OF THE FRONT & BACK DRAWER PANELS.

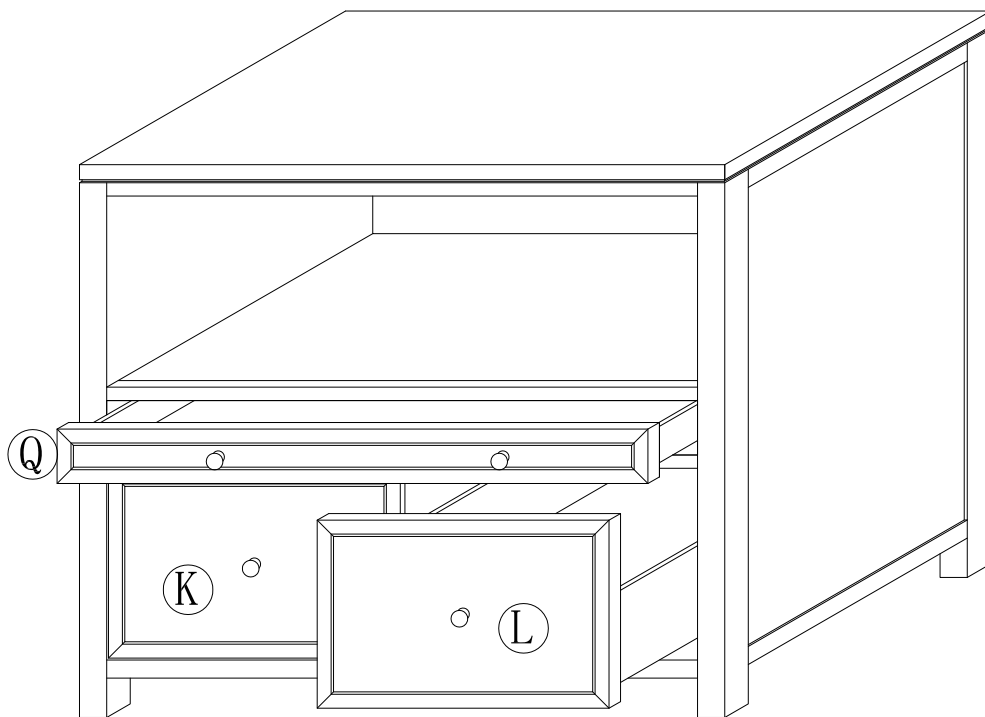
ARROW FACES DRAWER FRONT



ARROW FACES DRAWER FRONT

20). ASSEMBLE THE INNER SLIDES (F1).

- ATTACH THE 2 INNER SLIDES (F1) TO SMALL DRAWER PANEL SIDE (M/N) USING 6 SCREWS (G1).

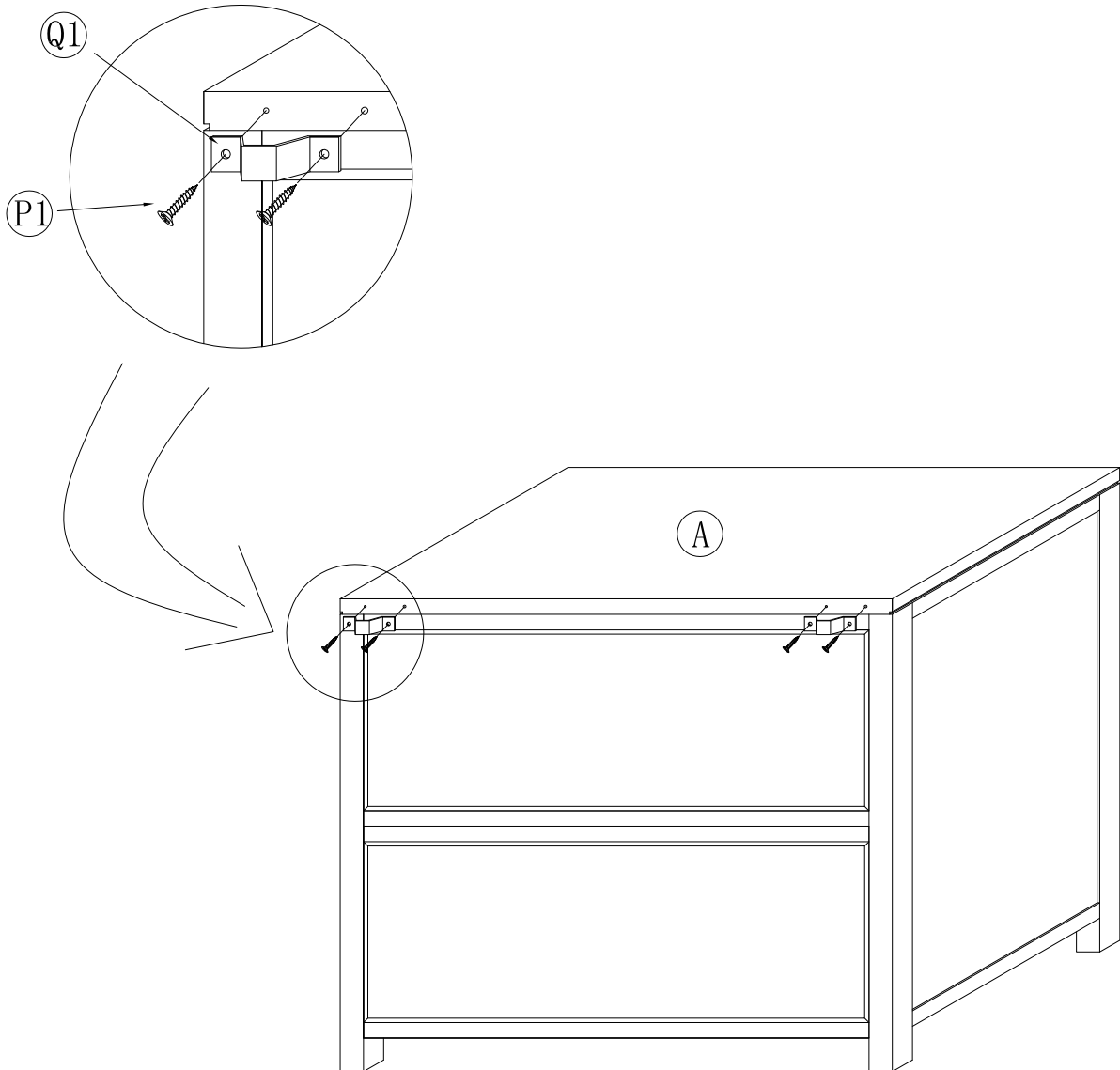


21). ASSEMBLE THE DRAWERS.

- INSERT 3 DRAWERS INTO THE SLIDERS.

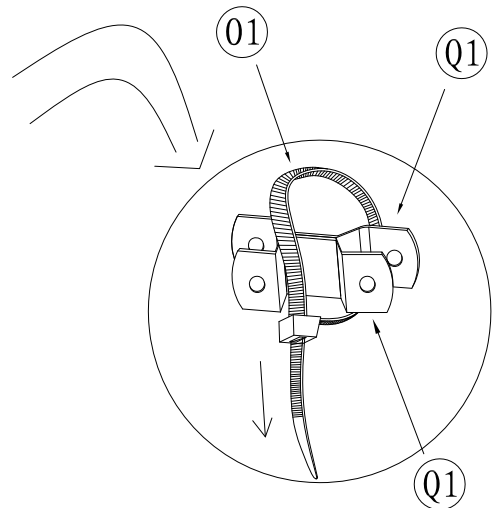
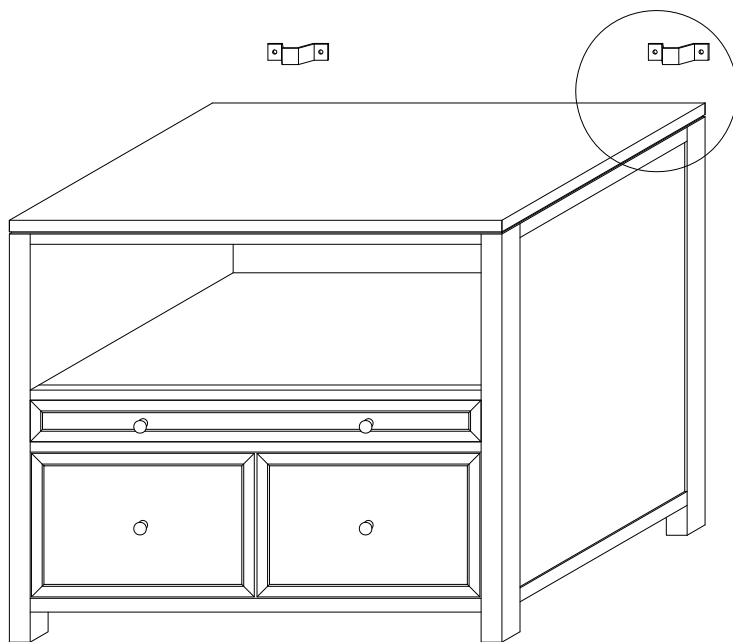
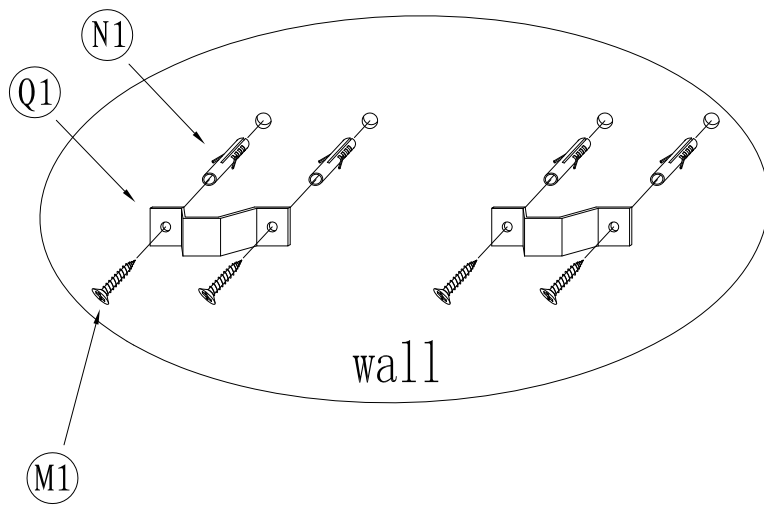
# Warning

The anti-tip hardware must be used as part of assembly!



22). ASSEMBLE THE HOOKS(Q1).

- ATTACH 2 HOOKS(Q1) USING 4 SCREWS(P1) IN THE PREDRILLED HOLES OF REAR TOP PANEL (A).



23). ASSEMBLE THE ANTI-TIP HARDWARE.

- DRILL 4 HOLES INTO WALL, PLEASE REFER TO THE REAR TOP PANEL'S HOLES DISTANCE AND HEIGHT.
- PUT 4 GECKOS(N1) INTO HOLES IN THE WALL, AND ROTATE 4 SCREWS(M1) INTO THE GECKOS(N1).
- CONNECT THE TWO HOOKS(Q1) WITH A PLASTIC BELT(O1).