

Keep this instruction manual for future reference.

CAMP CHEF

THE WAY TO COOK OUTDOORS™

DANGER

If you smell gas:

1. Shut off gas to the appliance at the tank.
2. Extinguish any open flame.
3. Open Door
4. If odor continues, keep away from the appliance and immediately call the fire department.

Failure to follow these instructions could result in fire, explosion or burn hazard, which could cause property damage personal injury or death.

DANGER

1. Never operate this appliance unattended
2. Never operate this appliance within 10 ft (3 m) of any structure, combustible material or other gas cylinder.
3. Never operate this appliance within 25 ft (7.5 m) of any flammable liquid.
4. Heated liquids remain at scalding temperatures long after the cooking process. Never touch cooking appliance until liquids have cooled to 115°F (45°C) or less.
5. If a fire should occur, keep away from appliance and immediately call your fire department. Do not attempt to extinguish an oil or grease fire with water.

Failure to follow these instructions could result in fire, explosion or burn hazard, which could cause property damage personal injury or death.



Model #: SMV18S-4

3985 N. 75 W., Hyde Park, UT 84318 • 800.650.2433 • www.campchef.com

This manual contains important information necessary for the proper assembly and safe use of the appliance.

Read and follow all warnings and instructions before assembling and using the appliance.

Follow all warnings and instructions when using the appliance.

Hardware Bags:

A:
1/4-20 X 5/8" Bolts (18)
1/4-20 Nuts (18)

B: SMV-3
Airvents (3)
1/4-20 X 5/8" Bolts (3)
1/4-20 Nuts (3)

C: SMV-51
Dial (1)
Thermometer (1)
#10 x 1/4 Bolts (2)

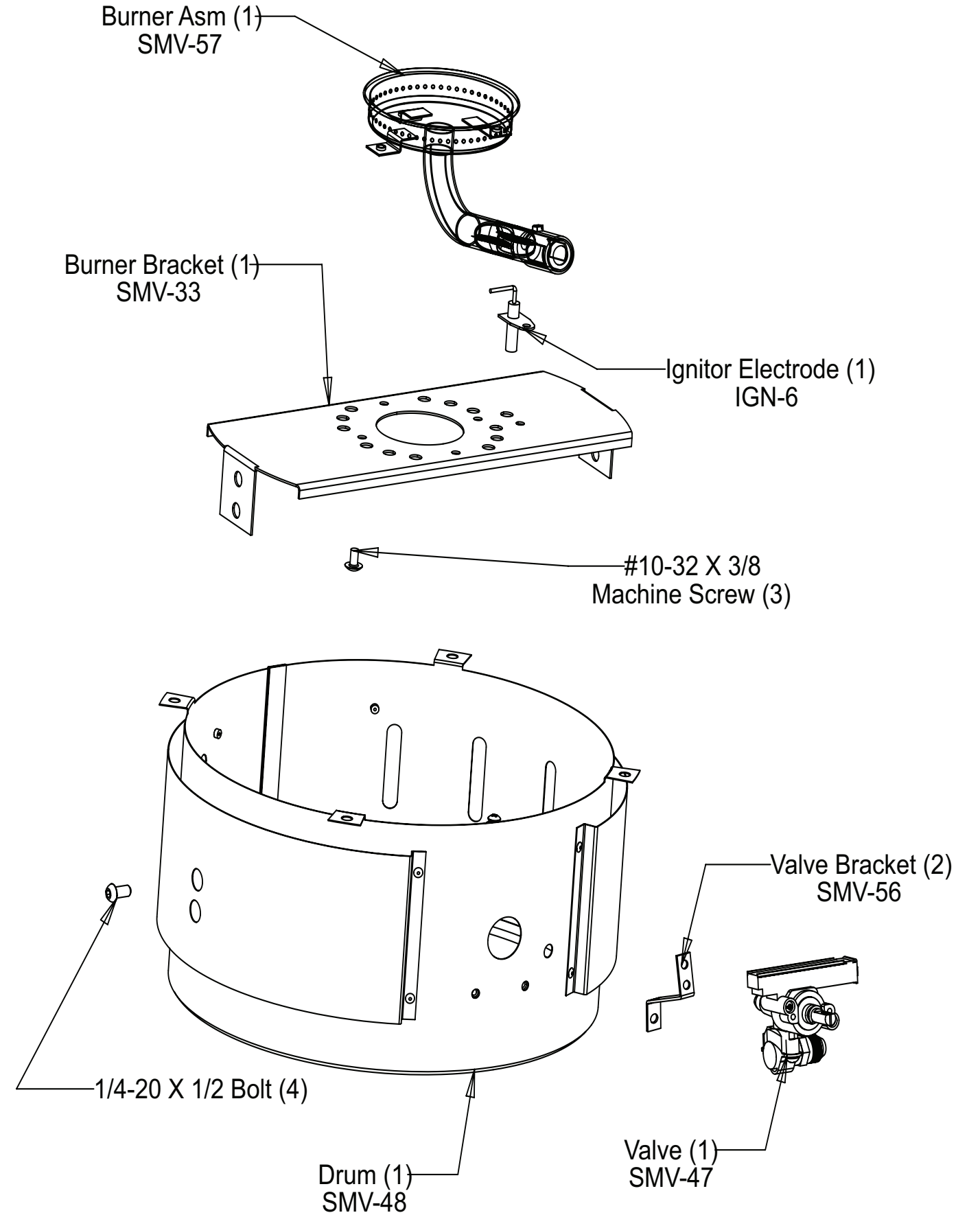
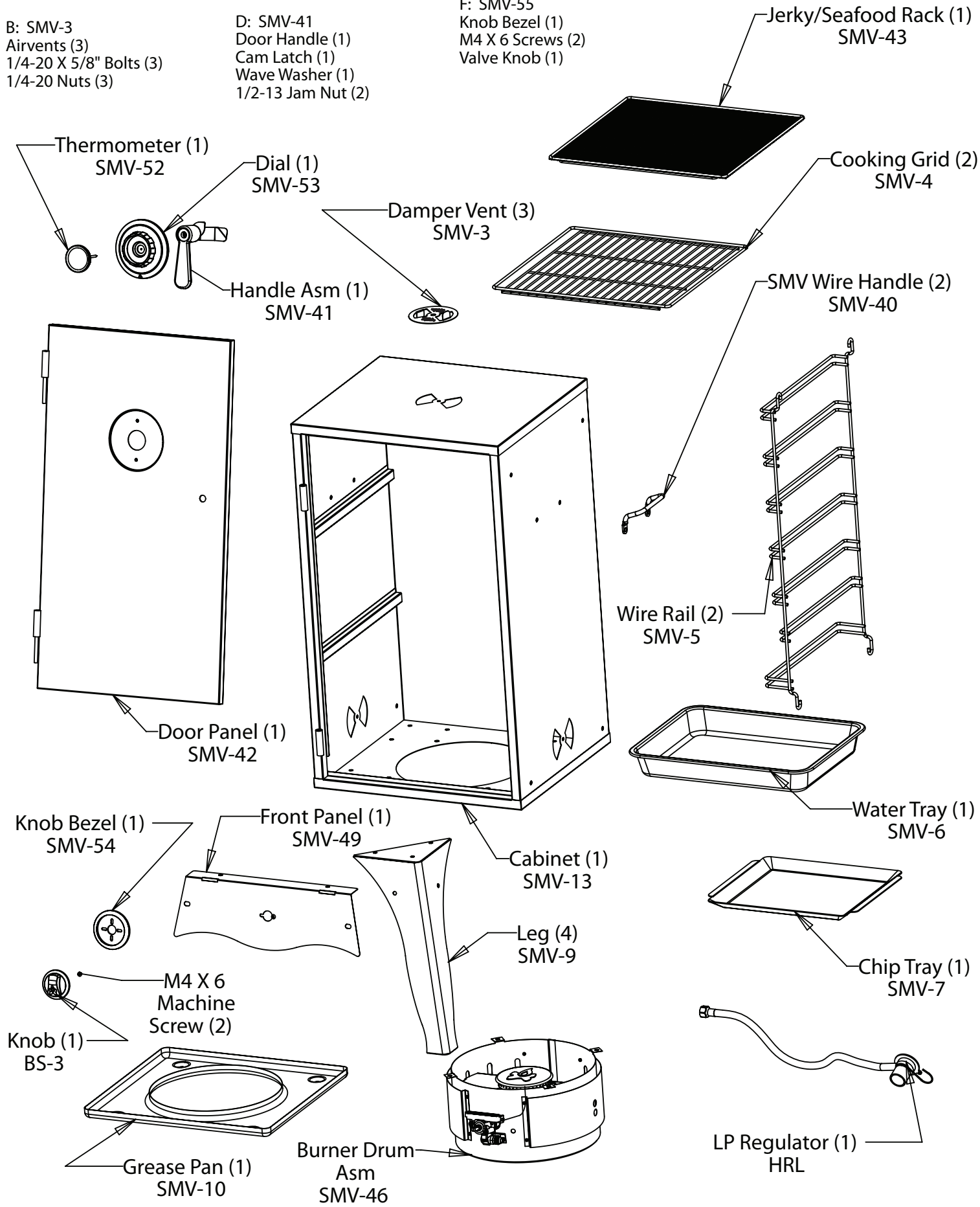
D: SMV-41
Door Handle (1)
Cam Latch (1)
Wave Washer (1)
1/2-13 Jam Nut (2)

E: SMV-40
SMV Wire Handle (2)
1/4-20 X 5/8" Bolts (4)
1/4-20 Nuts (4)

F: SMV-55
Knob Bezel (1)
M4 X 6 Screws (2)
Valve Knob (1)

MODEL - SMV18-S3

MODEL - SMV18S-4



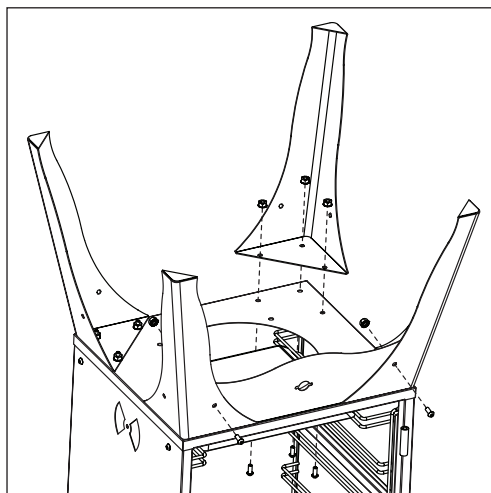
Assemble Legs

1. With the smoker cabinet in the upright position remove the door by lifting it from the hinges. Set the door panel aside. This will make assembly much easier. Remove knob from valve by pulling off.

2. Set the smoker assembly upside down. Set the smoker cabinet on a padded surface such as cardboard or carpet to prevent scratching or damaging your smoker.

3. Assemble 4 legs and the front panel as shown using 1/4-20 X 5/8" bolts and 1/4 nuts.

Important: Assemble the front panel to the front legs before installing the inside bolts as this bolt must pass through the front panel and the leg.



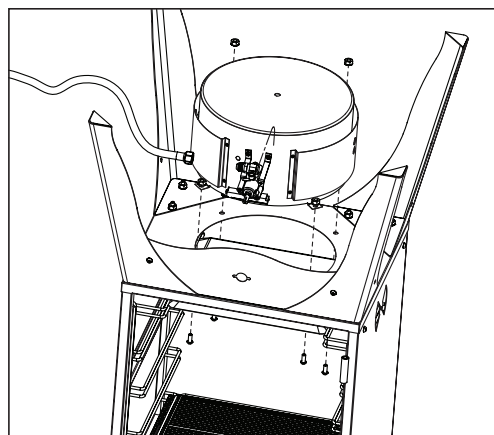
Assemble Burner & Attach Regulator Hose

1. Leave the smoker cabinet upside down.

2. Assemble the burner drum assembly as shown to the smoker cabinet using 1/4-20 X 5/8" bolts and 1/4 nuts.

3. Attach the regulator hose to the brass fitting on the manifold as shown. Use a wrench to tighten the hose to the brass fitting.

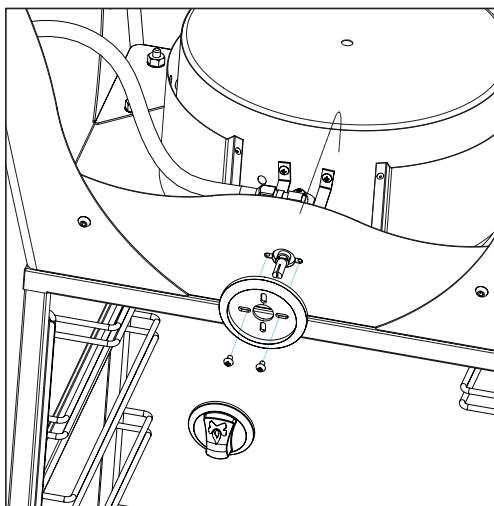
4. After installing the burner and regulator hose, check for leaks around the hose connection and manifold using a soap solution. See Page 8 - Checking for Leaks.



Assemble Knob Bezel

1. Use two screws to attach the knob bezel to the faceplate. Note - Screws go through bezel and through the faceplate into valve. Faceplate may need to be adjusted to get holes to align properly. Make sure to center bezel on valve before tightening screws.

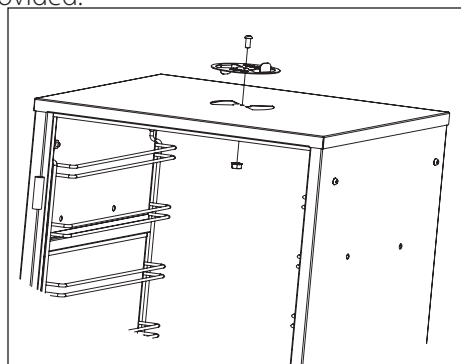
2. Push the knob onto the valve stem as shown.



Attach Damper Vents

Stand the smoker upright on its legs.

1. Assemble 1 damper vent on top of smoker as shown using the hardware provided.



2. Tighten the nut enough to keep the damper vent snug but allow it to rotate with little resistance.

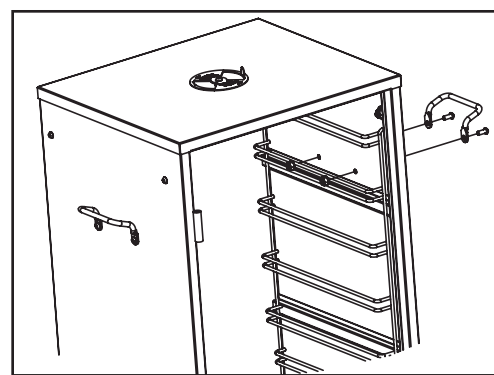
3. Repeat steps 1 and 2 for the two remaining side damper vents.

Assemble Handles

1. Assemble the carry handle as shown to the smoker cabinet using 1/4-20 X 5/8" C-sink bolts and 1/4-20 nuts.

2. The nuts should be firmly tightened to the bolts.

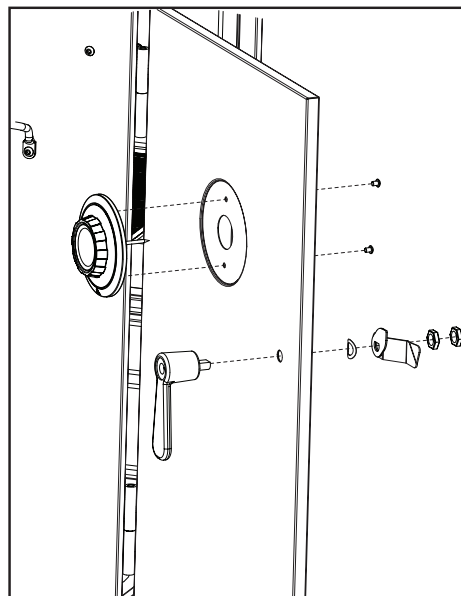
3. Repeat steps 1 and 2 for handles on both sides of the smoker cabinet.



Assemble Door

1. Re-mount the door panel by sliding the door's hinge pins into the cabinet's hinge seats.

2. Assemble the door handle as shown using the handle, wave washer, and two 1/2 jam nuts.



3. Tighten the first 1/2 jam nut until the desired resistance of the handle is achieved.

4. Tighten the second 1/2 jam nut on the first to keep the nuts from loosening.

5. Install the dial with the thermometer installed as shown using two #10 X 1/4" bolts.

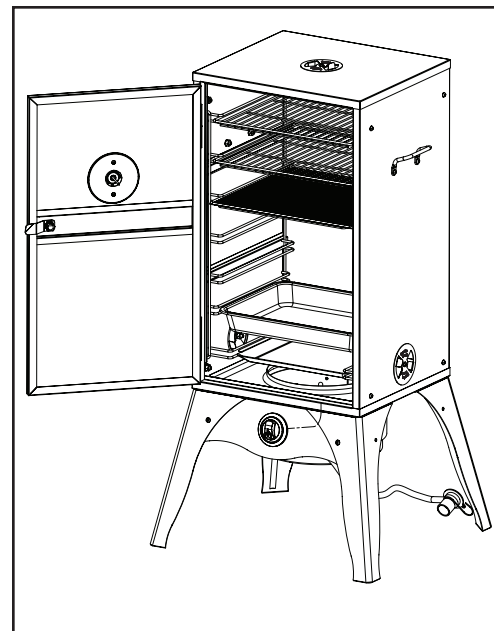
Knob, Trays and Grids

1. Set the grease pan in the bottom of the smoker as shown.

2. Set the chip tray in the first rack position of the smoker.

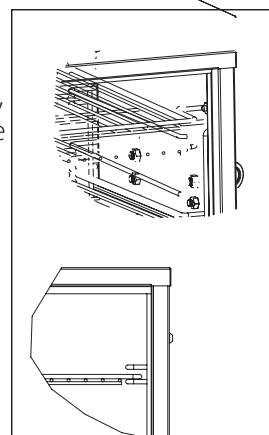
3. Set water tray in the second position of the smoker.

4. Insert the cooking grids into any of the remaining positions as desired.



Knob, Trays and Grids

1. When Inserting the smoking racks, make sure that the longest bar is on the top as shown at right.



WARNING

DO NOT use this smoker in a manner other than its intended purpose. Not intended for commercial use. Not intended to be installed or used in or on a recreational vehicle or boat. When cooking with oil/grease, a fire extinguisher must be readily accessible. In the event of an oil/grease fire do not attempt to extinguish with water. Use Type BC dry chemical fire extinguisher or smother fire with dirt, sand or baking soda. In the event of rain while cooking with oil/grease, cover the cooking vessel immediately and turn off the appliance burners and gas supply. Do not attempt to move the appliance or cooking vessel. The use of alcohol, prescription or non-prescription drugs may impair the consumer's ability to properly assemble or safely operate this appliance.

FOR OUTDOOR USE ONLY!

Do not operate the smoker indoors, in a garage, or in any other enclosed area or under overhead construction. Do not use on or under any apartment, condominium, balcony or deck. Do not operate smoker near flammable materials such as decks, fences, porches or carports. A minimum clearance range of 36 inches is recommended. Do not store the smoker near gasoline or other combustible liquids or where combustible vapors may be present.

Use caution when assembling and operating smoker to avoid cuts and scrapes from rough or sharp edges.

Use caution when lifting or moving the smoker to avoid strains or back injury. 2 people are recommended to lift or move the smoker. Do not move the smoker while it is in use. Allow the smoker to cool to 115°F (45°C) before moving or storing.

When cooking, the appliance must be on a level, stable surface in an area clear of combustible material. An asphalt surface (blacktop) may not be acceptable for this purpose. Do not operate smoker on flammable material such as carpet or a wood deck. NEVER use gasoline or highly volatile fluids as a starter.

Store the smoker in a dry, protected

location.

This appliance is not intended for and should never be used as a heater.

DO NOT leave smoker unattended while in use. Operate the smoker with close supervision. Do not leave hot ashes unattended until the smoker cools completely.

DO NOT operate around children or animals. Do not conduct activities around smoker during or following use until cooled. Do not bump or tip smoker. If Smoker becomes extremely hot - allow smoker to cool completely before handling. If you must handle the smoker while it is hot, always wear protective oven mitts or heat resistant gloves when handling the smoker or its components.

The water tray and wood chip box should not be moved while smoker is operating or until smoker has cooled sufficiently. These contain hot ashes and liquids that may cause serious injury. If you must move these components, ALWAYS wear protective oven mitts or heat resistant gloves.

Dispose of cold ashes by wrapping them in heavy duty aluminum foil and placing in a non-combustible container. Be sure there are no other combustible materials in or near the container.

DO NOT obstruct flow of combustion air and/or ventilation air for smoker.

Use caution when opening the door of smoker while in operation. Keep hands, face, and body safe from hot steam or flare-ups. Protect your nose and mouth from smoke inhalation. Do not wear loose clothing while operating the smoker. Tie back long hair while operating the smoker. ALWAYS wear fully-covering shoes while operating the smoker.

Allow smoker and its components to cool completely before conducting any routine cleaning or maintenance. Do not move the appliance when in use.

Never use glassware, plastic or ceramic cookware on or in smoker.

NEVER operate smoker without water in

the water tray. NEVER allow the water to completely evaporate. Check the water level at least every 2 hours. A sizzling sound may indicate a low water level. Follow instructions in this manual for adding water while operating.

When using flavoring wood, add a sufficient amount prior to operation to avoid having to add wood while operating. Adding wood while operating may splash hot water and cause serious injury.

Use of accessories not intended for smoker is not recommended and may lead to injury or property damage.

An LP cylinder not connected for use should not be stored in the vicinity of smoker or any other appliance. Do not store spare LP cylinders within 10 feet of smoker. LP cylinders must be stored outdoors, out of reach of children.

Do not store a spare LP-gas cylinder under or near this appliance. Never fill the cylinder beyond 80 percent full. Failure to follow these instructions exactly could result in a fire causing death or serious injury.

The smoker should be shut off and all supply valves (on piping or on fuel cylinders) should be closed in the event that the odor of unburned gas is detected. Do not attempt to use the unit until any gas leaks are fixed.

Do not use the smoker if the burner fails to light or fails to remain lit. Under such conditions, gas should be shut off and fuel cylinders should be disconnected. Do not operate under high wind conditions.

LP tanks are intended for operation in the upright position only.

Care should be taken to protect the fuel supply hose from damage from either foot or vehicle traffic.

If the appliance is not in use, the gas must be turned off at the supply cylinder and the cylinder should be disconnected from the appliance.

Storage of the appliance indoors is only permissible if the cylinder is disconnected and removed from the appliance.

All installations are to conform to local codes. In the absence of local codes, installation should conform to the National Fuel Gas Code, ANSI Z223.1/ NFPA 54

Smoker should be installed with the hose regulator assembly extended at full length of hose directly away from the burner. Keep fuel supply hose away from any heated surfaces. When so configured, placement results in maximum tank to smoker distance. When smoker is operated, the hose/regulator and gas tank should be on a line perpendicular to wind direction. Placing tank closer than 24" to the smoker can overheat the tank and cause release of propane through relief openings and can result in tank fire or explosion.

Connecting the LP Tank

1. The knob on the LP tank must be closed. See that the knob is turned clockwise to a full stop.

2. Check that the control knob on the smoker is turned off.

3. Remove the protective cap from the LP tank valve and coupling nut, if present.

4. Hold the regulator in one hand and insert the nipple into the valve outlet. Be sure the nipple is centered in the valve outlet. The coupler connects to the large outside threads on the valve outlet.

5. Hand tighten the coupler clockwise until it comes to a full stop. Firmly tighten by hand only.

6. Place the tank to the side or rear of the smoker. Make sure the hose does not touch any part of the burner drum housing.

CAUTION: In the connection process, the HVR side of the connection will seal on the back check in the valve, resulting in a slight resistance. The connection

requires about one-half to three-quarters additional turn to complete connection.

Any fuel supply cylinder used must be constructed and marked in accordance with specifications for propane cylinders of the U.S.

Department of Transportation (DOT) CFR 49 or CAN/CSA B339. The appliance is to be used only with the 20 pound, vertical standing vapor withdrawal type tank.

This smoker is designed to operate on LP (Liquefied Propane) gas only.

The 20 lb LP cylinder used with this smoker must conform to the following requirements:

- Type 1 Connections
- Diameter - 12" (30.5cm)
- Height - 18" (45.7cm)
- Maximum capacity of 20 pounds
- The gas cylinder used must include a collar to protect the cylinder valve.

The cylinder supply system must be arranged for vapor withdrawal. Follow the instructions stated on gas cylinder tanks when filling or transporting tanks. Failure to do so could result in problems relating to overfilling, excessive venting release of gas and to regulator freezing. Never fill the cylinder more than 80 percent full.

Do not allow dirt or foreign material to get into or onto tank connection when it is not attached to the fuel supply system. Use the protective cap provided.

Place dust cap on cylinder valve outlet whenever the cylinder is not in use. Only install the type of dust cap on the cylinder valve outlet that is provided with the cylinder valve. Other types of caps or plugs may result in leakage of propane.

Cylinders must be filled before initial use. All handling, transport, filling and storage of LP gas cylinders must be in accordance with NFPA 58 Storage and Handling of Liquid Petroleum Gases, or CAN/CSA b149.2 Propane Installation Code. Cylinders must be suitably tied down during transport. Do not place any other items on top of cylinders at any time.

Cylinders are not to be exposed to excessive temperatures or high heat. Refer to the data plate for model identification. Units are factory equipped for use on only one type of fuel. These units cannot be, and should not be used on other types of fuels. Doing so can cause severe damage to the unit and the installation area and the added risk of serious injury. Any attempt to operate this product on fuels for which it is not designed voids the manufacturer's warranty.

This unit is not to be utilized with a non-self-contained LP-gas supply system.

The pressure regulator and hose assembly supplied by the manufacturer with the appliance must be used. Replacement pressure regulators and hose assemblies must be those specified by the appliance manufacturer. See rating sticker on side of appliance for regulator model number.

The regulator/hose assembly should be handled carefully to prevent contamination by foreign objects and dirt. The assembly should be inspected before use and any dirt or contamination should be wiped off. In order to insure proper operation, any replacement of the regulator assembly must be with parts authorized by manufacturer. Valve/pressure regulators are factory set to the correct operating pressures. No attempts should be made to adjust these settings.

Checking for Leaks

After all connections are completed, check all connections and fittings for leaks with a soap solution.

With all valves closed, apply the leak check solution (50/50 mix of dish washing soap detergent and water) to all gas carrying connections and fittings.

Open tank valve. Presence of bubbles at areas of wet solution indicates a gas leak. If leaks are detected or you smell or hear gas, shut off the valve and repair the leak or replace the defective part. Do not use the smoker until all leaks are corrected.

OPERATING INSTRUCTIONS

Pre-Use Procedures

Before you cook food in your smoker, it is important to "season" your smoker. Seasoning seals the paint and interior of your smoker to enhance flavoring, durability and overall performance. This is also referred to as the "break-in" process. If your smoker requires any touch-up paint on the inside of the cabinet, the only time you should apply paint to the inside is before the seasoning process. Paint should not be applied to the interior of your smoker after your smoker has been used. Paint toxins may contaminate your food. Use only high temp paint.

To season your smoker, simply use it as you normally would; only do not cook any food. You will need to follow all of the operating procedures in the next few sections of this manual.

Using your desired flavoring woods and marinades, burn your smoker at low temperature (around 175°F) for 45-60 minutes. Let the smoker cool, and clean out the used water and wood.

Once seasoning is complete, your smoker's interior will have a durable, seasoned coating.

Adding Water

To add water before cooking, simply remove the water tray and fill it with water up to 1" below the rim. Then replace the tray to the bottom of the rack. To add water while the smoker is hot, DO NOT pull the water tray out beyond the rack.

Adding Wood/Charcoal

To add wood chips before cooking, simply fill the wood chip tray with your favorite choice of flavoring hardwood chips. The amount and type of wood you use is entirely up to you. One full tray is typically enough for several hours of smoking. Once the box is filled, set the tray in the smoker.

To add wood chips while cooking, we recommend using tongs or long handled pliers to place the pieces into the wood chip tray without removing the tray. It is

not recommended to remove the wood chip tray while the smoker is in operation.

CAUTION: The wood chip tray gets very hot. Avoid handling while in use. Always wear protective oven mitts or heat resistant gloves when handling hot components.

Lighting Procedures

1. Check all connections for leaks using the "soapy water" test.
2. Open the smoker cabinet door.
3. Check for any blockage to the venturi tube or burner. Remove any foreign objects or matter.
4. Be sure the burner control knob is in the "OFF" position.
5. Open the LP cylinder valve ONLY 1-1/2 turns by turning counter-clockwise.
6. Turn the burner control knob slowly counter-clockwise to the high setting. The ignitor should spark and ignite the burner.
7. You should see a small spark and hear the ignitor click. If the burner doesn't light, turn the control knob off then repeat the above steps again.
8. Once the burner is lit, then close the door to allow heat to accumulate. The dampers can then be adjusted to the desired setting to allow proper air flow and combustion. Damper adjustment tips are listed on the next page.

Match Lighting

1. Repeat steps 1 thru 5 of the Lighting Procedures above.
2. Remove the Wood chip tray from inside the smoker.
3. Light Paper Match
4. Turn the control knob to the "low" position and immediately place lit match next to the edge of the burner.



Ideas For Wood/Meat Combinations:

Fish:	<i>Alder</i>	<i>Cherry</i>	<i>Cedar</i>
Pork:	<i>Apple</i>	<i>Mesquite</i>	<i>Cherry</i> <i>Oak</i>
	<i>Maple</i>	<i>Peach</i>	<i>Pecan</i>
Beef:	<i>Hickory</i>	<i>Mesquite</i>	<i>Pecan</i> <i>Cherry</i>
Poultry:	<i>Alder</i>	<i>Oak</i>	<i>Maple</i> <i>Peach</i>

Cooking Tip - Flavoring Wood:

- Medium-large wood chips work best inside the wood chip box.
- Use dry hardwoods such as hickory, pecan, apple, cherry or mesquite.
- Most fruit or nut tree woods produce excellent smoking flavoring.
- Do not use resinous woods such as pine or plywood. These usually produce unpleasant flavoring.
- Let your taste be your guide - experiment with different types and quantities of wood chunks, chips or sticks. You can even mix woods.
- To produce more smoke and to prevent fast burning, pre-soak the wood chips in a separate bowl of water for at least 30 minutes. To extend the chip burning time, cover the chip tray with aluminum foil. Pierce several holes throughout the foil to allow smoke to escape.
- Most smoke flavoring occurs within the first hour of cooking. Adding wood chips after the first hour is typically not necessary unless extra flavoring is desired.

Low Temperature Smoking:

- When smoking at low temperatures for jerky or fish, use a tuna can or tin foil to place the chips in and set directly over the burner. You will need to soak the chips and cover with foil to keep from burning.
- Use wood shavings instead of chips or chunks. Leave door open and turn on high for several minutes until chips begin to smoke. Then turn down to cooking temperature. This may have to be repeated several times during the cooking process in order to keep the shavings smoking.

Long-nose Gas Match Lighting

1. Repeat steps 1 thru 5 of the Ignitor Procedures above.
2. Remove the Wood Chip Tray from inside the smoker. Insert a long nose gas lighter next to the burner drum, making sure it sits over the burner. Quickly turn the control knob to the light position. If the burner does not light within 4 or 5 seconds, turn the control knob off, wait 5 minutes, and repeat the process.

Shutting the Smoker Off

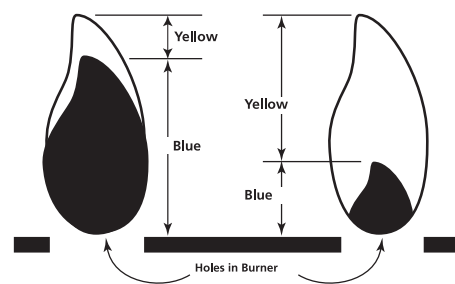
CAUTION: The smoker can become very hot while in use. Do not touch any portion of the smoker except for the door handle and burner control knob. It may be necessary to use protective gloves.

Turn the burner control knob off by pushing in and rotating clockwise. The burner flame should then go out. Turn off the LP cylinder valve by turning the knob clockwise until it stops.

Following all warnings and safety precautions before removing meat from the smoker or preparing the unit for storage. Follow instructions in this manual for proper storage procedures and the important warnings and safeguards on pages.

Burner Flame Check

- Light burner; rotate knob(s) from HIGH to LOW. You should see a smaller flame in LOW position than seen on HIGH. Always check flame prior to each use. A blue flame with little or no yellow flame provides the best heat. If you have a yellow flame clean the unit following the Cleaning instructions on the back of this instruction manual.



If the flame is accidentally extinguished, turn the appliance off and wait 5 minutes before attempting to ignite.

Cooking Instructions

Fill the wood chip box with flavoring wood chips and place the box inside the smoker as instructed in the assembly section of this manual. Refer to the section that explains flavoring wood for recommended use of flavoring wood.

Place the water tray inside the smoker in the lowest rack position as explained in the assembly section of this manual. Carefully fill the water tray with water or marinade up to 1 inch below the rim. A full tray will last for approximately 2-3 hours. Do not overfill or allow water to overflow from the water tray.

You are now ready to light the burner. Refer to the Lighting Procedure on the previous pages of this manual. The heat from the burner will allow the wood chips to burn, causing the flavoring smoke to accumulate. Adjust the dampers to control the heat.

Place the food on the cooking grids in a single layer with space between each piece. This will allow smoke and hot moisture to circulate evenly around all the food pieces.

Smoking for 2 to 3 hours at the ideal constant cooking temperature of 200°F to 225°F will get the best results. This temperature is according to the heat indicator mounted on the front of the smoker. For more tender and heavily smoked meat, a lower temperature may be preferred. If time is critical, a higher temperature range is recommended.

Check water level periodically and add water if low. For best results and to retain heat, avoid opening the door of the smoker while in use. When the door must be opened, only open it briefly. The smoker will quickly resume cooking temperature after the door is closed. Always use a meat probe thermometer to ensure food is fully cooked before removing it from the smoker. After each use, and after the smoker is cooled, carefully remove the grease pan from the bottom of the smoker, empty the grease, and clean the grease pan.

Care and Maintenance

IMPORTANT: Before each use, clean and inspect the hose and the connection to the LP cylinder. If there is evidence of abrasion, wear, cuts or leaks, the hose must be replaced before the smoker is used. Refer to the "leak test" instructions in the LP Tank connection portion of this manual. See rating sticker on side of appliance for regulator model number

CAUTION: All care and maintenance procedures are to be performed only while the smoker is turned off and cooled.

Keep appliance area clear and free from combustible materials, gasoline and other flammable vapors and liquids.

Do not obstruct the flow of combustion and ventilation air by covering air openings on side of burner housing or completely closing the air vents.

Clean the water tray and cooking grids with hot, soapy water. Rinse and dry thoroughly. Coat the water bowl and cooking grids lightly with cooking oil or cooking spray.

Frequently check and clean the venturi and burner for insects and insect nests. A clogged tube can lead to fire outside the smoker. Also make sure the smoker does not have any foreign objects obstructing the flow of combustion and ventilation air.

To clean the inside and outside of the smoker, simply use a damp cloth. Spray-washing with a water hose is not recommended. All moisture should be wiped away and not allowed to stand inside or on top of the smoker. Carefully remove the grease pan, dispose the grease, and wash thoroughly. Once cleaned, you may prefer to lightly coat the interior of the smoker with cooking oil or cooking spray.

If rust is present on the exterior surface of the smoker, clean the area with steel wool or emery cloth and use heavy duty, heat resistant paint.

Never apply additional paint to the interior of the smoker. If rust is present on the interior of the smoker, clean it thoroughly with steel wool or emery cloth and lightly coat the area with cooking oil or cooking spray to help minimize recurring rust.

When an LP tank is not connected, and to help prevent dirt or other foreign particles from clogging the HVR, hang the end of the HVR hose from the side handle using the supplied S-hook.

Inspect the flame at the burner. A good flame should be blue with yellow tip 1" to 2" in length. If flames are excessively yellow and irregular, oil residue and food deposits may be collecting on the burner. Try cleaning the burner surface and the holes to improve the flames. Bad flames may also be caused by poor HVR-to-venturi attachment.

To protect your smoker from weather, always keep your smoker covered while not in use.

Cooking Tip:

Line the water tray with aluminum foil before each use. This will make it easy to clean and help your water tray last longer. To make adding water easier and safer, use a clean watering can with a long spout.

Cooking Tip - Damper Adjustment:

- While making adjustments, open door enough to view the flame.
- For better performance, rotate the smoker to where the front or back of the cabinet is facing the wind. This allows the adjustment of the dampers to be more effective and accurate.
- The dampers should never be fully closed.
- Opening a side damper allows more oxygen to be consumed by the fire, fueling the flames and causing an increase in temperature.
- Opening the top damper helps to exhaust both the heat and smoke.
- The key to effective smoking is to watch your heat indicator on the door and adjust the dampers accordingly. Temperature is best controlled by different damper adjustment configurations.

HONEY MAPLE CHICKEN

2 whole fryer chickens, 3-5 lbs each

Dry Rub

3 Tbsp kosher salt
1 Tbsp paprika
2 tsp Dried rosemary

Marinade

1/2 cup melted butter
2 tsp garlic powder
2 Tbsp honey
1/2 cup lemon-lime soda

Instructions:

Combine marinade ingredients in small bowl, mixing well. Using a meat injection syringe, inject marinade into breasts and thighs of chickens.

Combine dry ingredients in small container. Rub exterior of poultry with dry ingredients. Place in plastic bag and let sit for 30 minutes in refrigerator.

In the Smoke Vault smoke box, place pre-soaked maple wood chips. Cover with layer of aluminum foil. Poke about 8-12 holes throughout the foil to release smoke. Fill water tray 1/2 way with cool water.

METHOD 1 - Rack

Place chickens on same cooking rack in the Smoke Vault. Ignite and cook on medium heat. Check regularly to maintain approximately 225-250° F. Cook for approximately 3-4 hours. Cook until internal meat temperature reaches 180° F (check with a meat thermometer).

METHOD 2 – Twins-Beer Can Holder

Do not fill water pan. Set two cans of lemon-lime soda or beer (1/2 full) into the Twins Beer Can Chicken Holder. Place chickens over the cans on the holder and set unit into the Smoke Vault. Smoke cook using medium heat, maintaining approximately 250-300° F. Cook for approximately 1 1/2 to 2 hours or until internal meat reaches 180° F.

Rocky Mountain Apple Ribs

2 large racks of pork spare ribs (or baby back ribs), trimmed

Dry Rub

1 Tbsp brown sugar
1 tsp ground cinnamon
2 Tbsp dried crushed thyme
1 tsp dried crushed marjoram
2 tsp dried crushed sage
2 Tbsp freshly cracked pepper
2 Tbsp kosher salt

Instructions:

Pat dry ribs with soft towel.

Combine dry ingredients in a small container. Generously cover ribs with dry rub. Place in plastic bag and set in refrigerator for 6-24 hours. Let ribs return to room temperature before cooking (25 minutes).

Fill smoke box with pre-soaked apple wood chips. Cover smoke box with layer of aluminum foil. Poke holes into the foil to release smoke. Fill water tray with cool water. Ignite smoker and set at medium heat. Cooking time is approximately 2-3 1/2 hours.

Smoke until meat temperature reaches 130° F, then remove water pan and dry smoke until reaches 155° F. Ribs are done when 1/8” to 1/4” of bone end shows and the ribs separate easily.

Plantation Hickory Brisket

4-6 lbs beef brisket

Marinade

2 1/2 cups canned pineapple juice
1/4 cup orange juice, pulp free
1 cup soy sauce
1/4 cup Worcestershire sauce
1/4 cup bourbon
1/2 cup vinegar
2 Tbsp dried crushed rosemary
1 Tbsp kosher salt
1/4 tsp mustard powder
4 garlic cloves, finely chopped

Instructions:

Do not trim the fat away from the brisket until after cooking. The fat helps tenderize the meat while cooking.

Combine marinade ingredients and mix together. In a plastic bag, cover brisket with marinade. Let brisket sit in refrigerator for 12-24 hours, turning over ever few hours.

Fill wood box with hickory chips. Fill water pan with cool water.

Cook on medium heat for 1-2 hours until internal temperature reaches 160° F. Brisket must be cooked long and slow. Once the 160° F internal temperature is reached, try to maintain that internal temperature while smoking for an additional 2-3 hours.

Serving tip: Slice 1/8” thick 45° angle slices across the grain. Hold the knife parallel to the meat.

Cedar Plank Salmon

Large salmon filet or steaks

Rub Coating

3 Tbsp brown sugar
2 Tbsp Worcester sauce
2 Tbsp fresh dill
1 Tbsp chopped walnuts
1 tsp olive oil

Instructions:

Combine rub ingredients in small bowl and mix. Place salmon filet or steak onto pre-soaked cedar plank. Coat mixture over top of salmon. The cedar plank replaces the wood chips. Ignite smoker and dry smoke (no water in pan) for 45 minutes to 1 hour on medium/high heat, or until fish is opaque and meat begins to flake next to the backbone.

TIPS:

AVOID EVERGREENS

Do not use pine or other soft woods for smoking.

CRUSH SPICES

Grind whole spice seeds and leaves in order to release the maximum amount of flavors and oils, providing the best tasting results.

TAME THE WILD GAME

In order to balance the strong flavors in wild game, use stronger or more potent amounts of spices and ingredients. Mix in some complementing red wine or vinegar in your marinades.

BRINE FOR PERFECTION

Salt brines can help tenderize meats. Brines with additional flavors pull flavors deep into the meat structure.

BRING ON THE SAUCE

Select sauces that complement the flavors of your meat and wood. Sauces with high sugar content should be applied at the end of the cooking process to minimize blackening. Peppery sauces can be enhanced with minced raisins, orange juice and brown sugar to create your perfect homemade mixture.

RECIPES GALORE

Check out www.campchef.com for many great recipes for smoking, brine mixtures, marinades and sauces. Or, you can share your own favorite recipes.

Temperature Chart

(USDA Standard)

Ground Meat & Meat mixtures:

Turkey, Chicken 165°F

Veal, Lamb 160°F

Beef, Pork 160°F

Fresh Beef:

Medium Rare 145°F

Medium 160°F

Well Done 170°F

Fresh Lamb

Medium Rare 145°F

Medium 160°F

Well Done 170°F

Fresh Veal

Medium Rare 145°F

Medium 160°F

Well Done 170°F

Poultry

Chicken, whole 180°F

Turkey, whole 180°F

Breasts, roast 170°F

Thighs, wings 180°F

Duck and Goose 180°F

Fresh Pork

Medium 160°F

Well Done 170°F

Ham

Fresh (raw) 160°F

Pre-Cooked 140°F

Fish

Fresh 135°F (160°F for Catfish)

(Cook until opaque and flakes easily)

Note: Check the temperature with a meat thermometer. The thermometer on the door of the Smoke Vault is for the internal temperature of the smoker only.

LIMITED WARRANTY

To activate warranty, fill out the included registration form and mail to Camp Chef, 3985 N. 75 W., Hyde Park, UT 84318 or register online at: www.campchef.com

The manufacturer warrants stove components (except paint and finish) to be free from defect in materials and workmanship for 1 year from the date of purchase. All accessories (included with stove or purchased separately) are warranted from defect in materials and workmanship for 90 days from the original purchasing date. Within these periods, the manufacturer will replace or repair defective parts deemed unusable from its original intent by making available the parts thereof FOB Hyde Park, UT 84318.

Product paint and finish is not warranted. The exterior finish of the product will wear down over time. Touch up the exterior with black, high temperature spray paint as needed. Do not paint the inside surfaces.

Clean the unit after each use to maintain the finish and prolong the life of your product. Wipe away all grease and ashes. Keep metal products free of moisture, salts, acids and harsh fluctuations in temperatures.

Warranty does not cover normal wear of parts or damage caused by misuse, abuse, overheating and alteration. Repairs or alterations made by anyone other than Camp Chef are not covered in this Warranty. Manufacturer will not be held liable for any losses due to neglectful operation. Furthermore, this Warranty does not cover damaged caused by natural disasters such as earthquakes, hurricanes, tornadoes, floods, lightning, fires, etc.

Upon the expiration of this warranty all such liability will terminate. No other warranties are expressed or implied.

Keep all original sales receipts. Proof of purchase is required to obtain Warranty services. Prior written approval and a Return Authorization Number must be obtained. Returned items will be accepted for repair or replacement only. Returns must be shipped prepaid. Collect shipment or shipments without a Return Authorization Number will not be accepted.

To obtain Warranty services call 1.800.650.2433.

*Warranty applies to the contiguous US states only.



3985 N. 75 W., Hyde Park, UT 84318

1.800.650.2433

www.campchef.com

1111-SMV18S-Booklet

Made In China

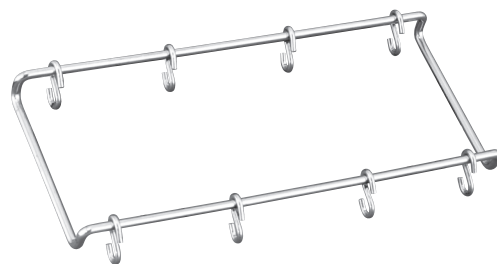
Check Out These And Other Great Accessories Online at www.campchef.com



Patio Cover
Model #: PC-18



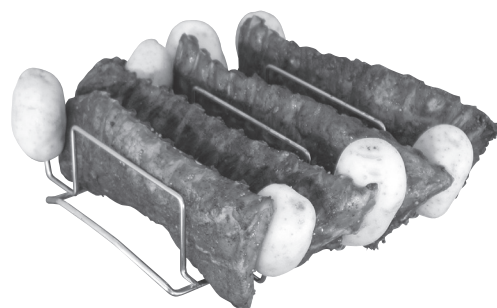
Heat Resistant Gloves
Model #: GLV-15



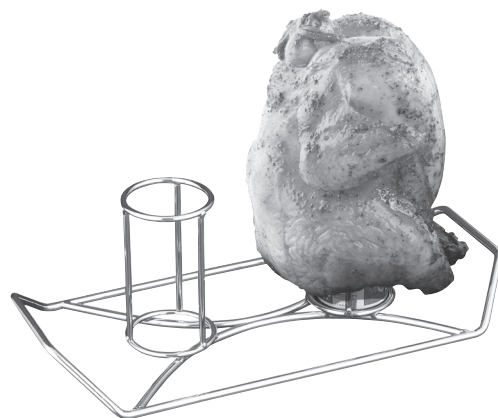
Sausage Hooks
Model #: SSG-18



Turkey Cannon
Model #: TKYC



Rib & Potato Rack
Model #: RIBRK



Beer Can Chicken
Model #: BCH-2

Conserver cette notice pour référence ultérieure.

DANGER

Si vous sentez une odeur de gaz:

1. Coupez l'admission de gaz de l'appareil.
2. Ouvrir le couvercle.
3. Si l'odeur persiste, appelez immédiatement votre fournisseur de gaz ou votre service des incendies.

Le non respect des instructions suivantes peut entraîner des dommages matériels, des blessures graves ou la mort résultant d'un incendie ou d'une explosion.

DANGER

1. Ne jamais faire fonctionner cet appareil sans surveillance.
2. Ne jamais faire fonctionner cet appareil à moins de 10 pieds (3,05 m) d'une autre bouteille de gaz.
3. Ne jamais faire fonctionner cet appareil à moins de 25 pieds (7,5 m) d'un liquide inflammable.
4. Ne jamais laisser l'huile ou la graisse excéder 400°F (200°C). Si la température dépasse 400°F (200°C) ou si de la fumée se dégage de l'huile, FERMER immédiatement le brûleur ou l'alimentation en gaz.
5. Les liquides chauffés demeurent brûlants longtemps après la cuisson. Ne jamais toucher l'appareil de cuisson avant que la température des liquides ne soit à 115°F (45°C) ou moins.
6. Si un incendie devait se produire, restez loin de l'appareil et appeler immédiatement le service des incendies. Ne tentez pas d'éteindre l'huile ou la graisse en feu avec de l'eau.

Le non respect des instructions suivantes peut entraîner des dommages matériels, des blessures graves ou la mort résultant d'un incendie ou d'une explosion.



Model #: SMV18S-4

3985 N. 75 W., Hyde Park, UT 84318 • 800.650.2433 • www.campchef.com

Cette notice contient des renseignements importants permettant un assemblage adéquat et à une utilisation sécuritaire de l'appareil.

Lire et suivre toutes les mises en garde et toutes les instructions avant l'assemblage et l'utilisation de l'appareil.

Suivre toutes les mises en garde et toutes les instructions lors de l'utilisation de l'appareil.

Hardware Bags:

A:
boulons 1/4-20 x 5/8 po (16 mm)(18)
écrous 1/4-20(18)

B: SMV-3
registres d'air (3)
boulons 1/4-20 x 5/8 po (16 mm)(3)
écrous 1/4-20 (3)

C: SMV-51
cadran (1)
thermomètre (1)
vis #10 x 1/4 (2)

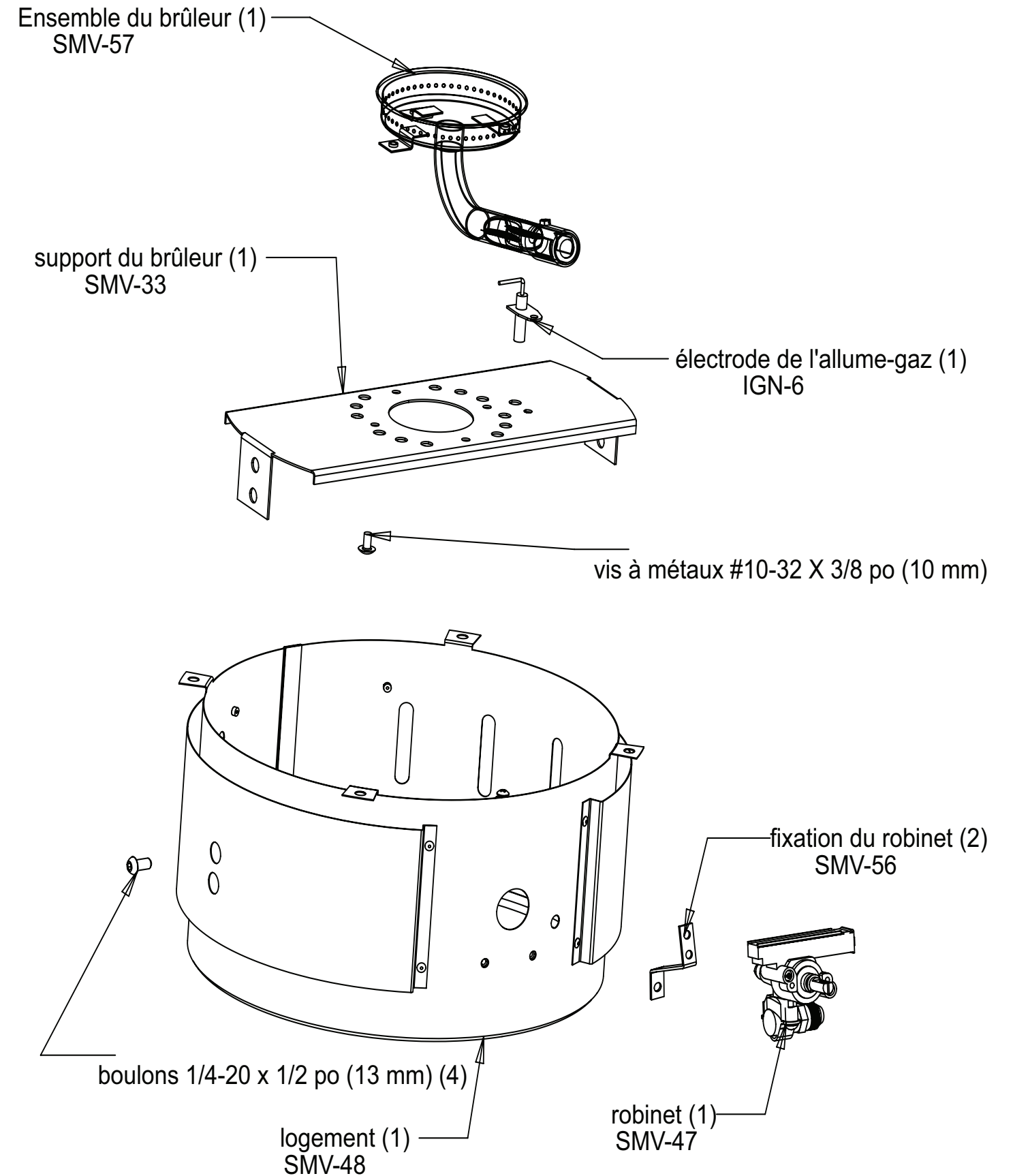
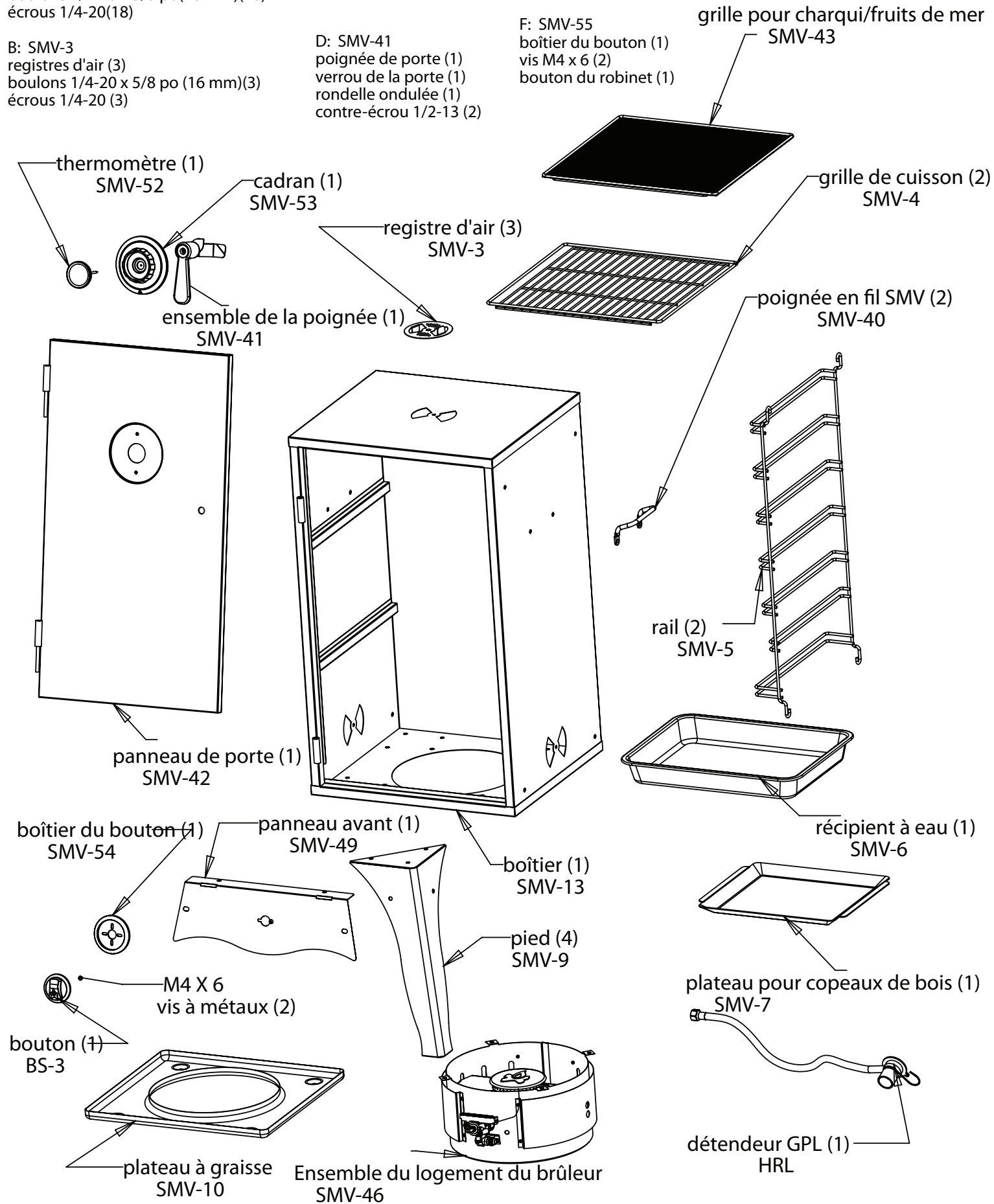
D: SMV-41
poignée de porte (1)
verrou de la porte (1)
rondelle ondulée (1)
contre-écrou 1/2-13 (2)

E: SMV-40
poignée en fil SMV(2)
boulons 1/4-20 x 5/8 po (16 mm) (4)
écrous 1/4-20 (4)

F: SMV-55
boîtier du bouton (1)
vis M4 x 6 (2)
bouton du robinet (1)

MODÈLE - SMV18-53

MODÈLE - SMV18S-4



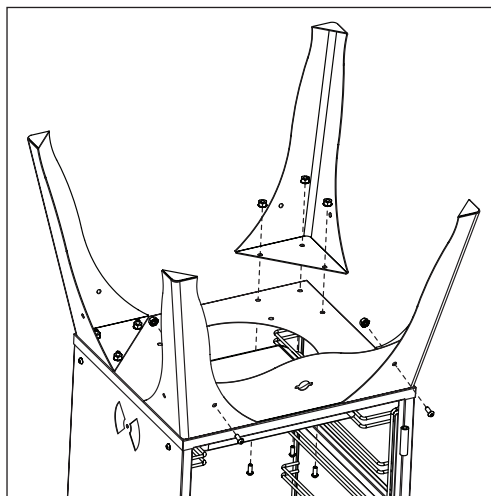
Montage des pieds

1. Placer le boîtier du fumoir en position verticale et enlever la porte en la soulevant hors de ses charnières. Laisser le panneau de la porte sur le côté pour faciliter le montage. Retirer le bouton du robinet en tirant dessus.

2. Mettre l'ensemble du fumoir à l'envers. Déposer le boîtier du fumoir sur une surface rembourrée (ex. carton ou tapis) pour éviter de faire des grattes ou des coups dans le fumoir.

3. Monter les 4 pieds et le panneau avant comme illustré en utilisant les boulons 1/4-20 x 5/8 po (16 mm) et les écrous 1/4.

Important: monter le panneau avant avec les pieds avant d'attacher les boulons intérieurs car ces boulons doivent passer à travers le panneau avant et le pied.



Monter le brûleur et fixer l'adaptateur du détendeur

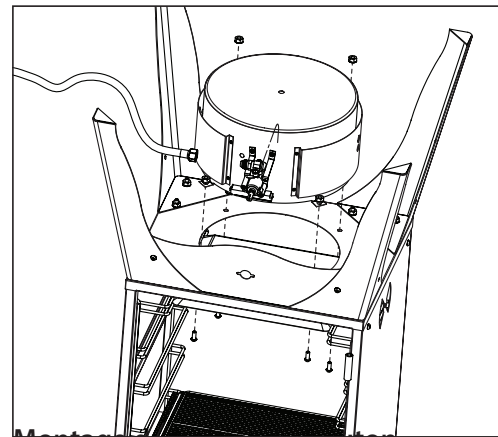
1. Laisser le boîtier du fumoir à l'envers.

2. Monter l'ensemble du logement du brûleur avec le boîtier du fumoir en utilisant les boulons 1/4-20 x 5/8 po (16 mm) et les écrous 1/4, comme illustré.

3. Attacher l'adaptateur du détendeur au raccordement en laiton sur le manifold comme illustré. Utiliser une clé pour serrer l'adaptateur au raccordement en laiton.

4. Lorsque l'installation du brûleur et de l'adaptateur du détendeur est terminée, vérifier qu'il n'y a pas de fuites aux alentours de la connexion de

l'adaptateur et du manifold en utilisant une solution savonneuse. Voir page 7 - test d'étanchéité.

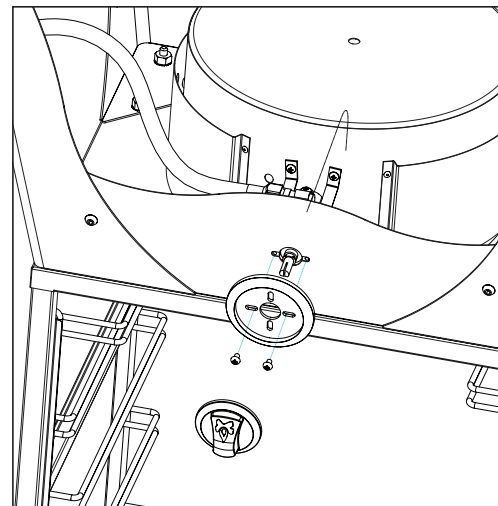


Montage du boîtier du bouton

1. Utiliser deux vis pour attacher le boîtier du bouton à sa plaque de fixation. Remarque – les vis passent à travers le boîtier et la plaque de fixation dans le robinet. Il sera peut-être nécessaire d'ajuster la plaque de fixation pour que les trous soient correctement alignés. Veiller à ce que le boîtier soit centré sur le robinet avant d'attacher les vis.

2. Enfoncer le bouton dans la tige du robinet comme illustré.

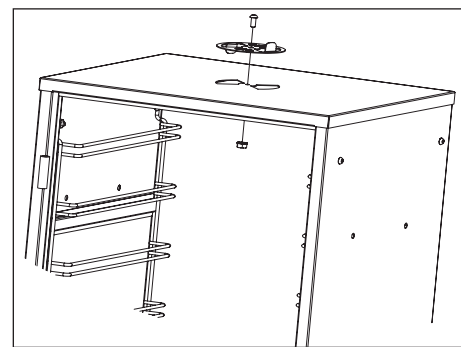
Attache des registres d'air



Mettre le fumoir en position verticale sur ses pieds.

1. Monter un registre d'air au-dessus du fumoir comme illustré en utilisant le matériel fourni.

2. Serrer les écrous suffisamment pour maintenir le registre tout en lui permettant de se déplacer avec une légère résistance.



3. Répéter les étapes 1 et 2 pour les registres latéraux restants.

Montage des poignées

1. Monter la poignée de transport au boîtier du fumoir comme illustré en utilisant les boulons à tête fraisée 1/4-20 X 5/8 po (16 mm) et les écrous 1/4-20.

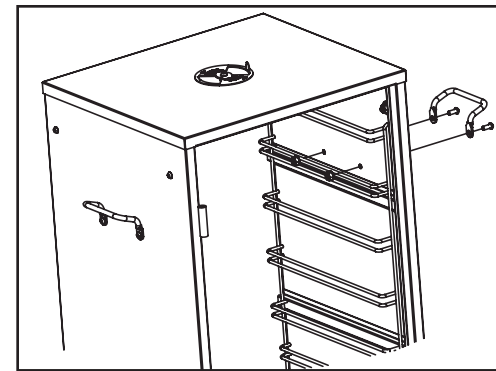
2. Les écrous doivent être bien attachés aux boulons.

3. Répéter les étapes 1 et 2 pour la poignée de l'autre côté du boîtier du fumoir.

Montage de la porte

1. Remonter le panneau de la porte en emboîtant les axes de charnière dans leur logement dans le boîtier.

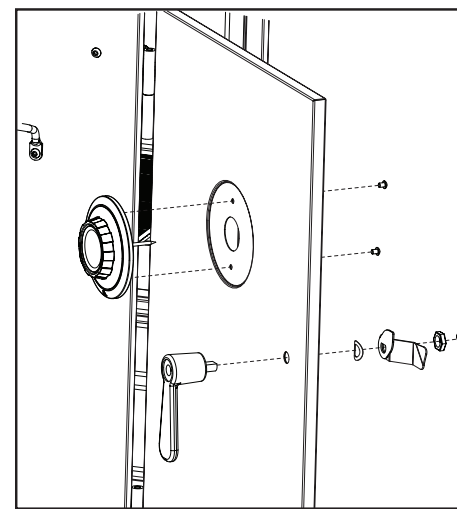
2. Monter la poignée de porte comme illustré en utilisant la poignée, la rondelle ondulée et deux contre-écrous 1/2.



3. Serrer le premier contre-écrou 1/2 jusqu'à ce que la poignée soit suffisamment serrée à votre goût.

4. Serrer l'autre contre-écrou comme le premier pour éviter un jeu au niveau des écrous.

5. Installer l'ensemble du cadran et du thermomètre comme illustré en utilisant les vis #10 X 1/4 po (6 mm).



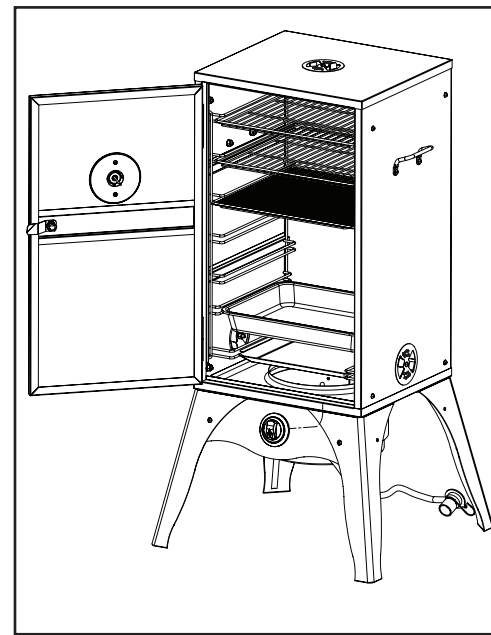
Bouton, plateaux et grilles

1. Placer le plateau à graisse en bas du fumoir comme illustré.

2. Placer le plateau pour copeaux de bois sur l'étage inférieur du fumoir.

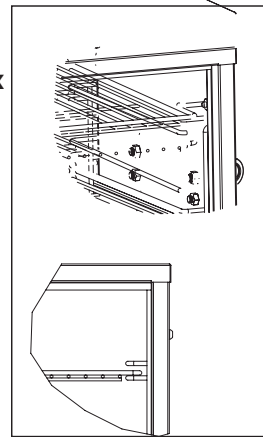
3. Placer le récipient à eau sur le deuxième étage du fumoir.

4. Insérer les grilles de cuisson sur un des étages restants à votre choix.



Bouton, plateaux et grilles

1. Lors de l'insertion des grilles de fumaison, veiller à ce que la partie la plus longue soit vers le dessus comme illustré à droite.



AVERTISSEMENT

NE PAS utiliser ce fumoir à d'autres fins que celles pour lesquelles il est prévu. Cet appareil n'est pas destiné à un usage commercial. Cet appareil n'est pas destiné à être installé ou utilisé dans des véhicules récréatifs ou sur des bateaux.

Si l'on cuisine à l'huile ou à la graisse, un extincteur doit être à portée de main. En cas de feu d'huile ou de graisse, ne pas essayer d'éteindre les flammes à l'eau. Utiliser un extincteur à poudre BC ou étouffer le feu au moyen de terre, de sable ou de bicarbonate de soude.

En cas de pluie pendant la cuisson à l'huile ou à la graisse, couvrir le récipient de cuisson immédiatement et éteindre les brûleurs de l'appareil et couper l'alimentation en gaz. Ne pas essayer de déplacer l'appareil ou le récipient de cuisson. La consommation d'alcool, ou de médicaments obtenus ou non sur ordonnance, risque de diminuer la faculté du consommateur de monter correctement l'appareil ou de l'utiliser en toute sécurité.

DESTINÉ À UN USAGE EN PLEIN AIR UNIQUEMENT

Ne pas utiliser à l'intérieur, dans un garage ou tout autre endroit clos ou sous une structure surplombante. Ne pas utiliser au-dessus d'un appartement, sur un balcon de condo ou une terrasse, ou sous ceux-ci. Ne pas faire fonctionner le fumoir à proximité de matériaux inflammables comme les terrasses, les clôtures, les vérandas ou les abris de voitures. Une distance minimale de 91 m (36 po) est recommandée.

Ne pas ranger le fumoir à proximité d'essence ou d'autres liquides inflammables ou dans des endroits où des vapeurs combustibles peuvent être présentes.

Faire preuve de prudence lors du montage et du fonctionnement du fumoir pour éviter des coupures et des éraflures avec des bords rugueux ou des arêtes vives.

Faire preuve de prudence en soulevant ou déplaçant le fumoir pour éviter les claquages et blessures au dos. Il est recommandé que deux personnes

soulèvent ou déplacent le fumoir. Ne pas déplacer le fumoir lors de son utilisation. Laisser le fumoir refroidir à 45 °C (115 °F) avant de le déplacer ou de le ranger.

Pendant la cuisson, l'appareil doit être sur une surface stable et de niveau, dans une zone libre de matériaux combustibles. Une surface en asphalte (revêtement noir) ne convient pas pour cette utilisation. Ne pas faire fonctionner le fumoir sur des matériaux inflammables comme un tapis ou une terrasse en bois. NE JAMAIS utiliser d'essence ou de liquide à basse ébullition pour faire démarrer l'appareil.

Ranger le fumoir dans un droit sec et protégé.

Cet appareil n'est pas destiné à être utilisé en tant qu'appareil de chauffage et ne doit pas l'être.

NE PAS laisser le fumoir sans surveillance lors de son utilisation. Le fumoir doit rester sous surveillance étroite pendant qu'il fonctionne. Ne pas laisser de cendres chaudes sans surveillance jusqu'à ce que le fumoir ait complètement refroidi.

NE PAS faire fonctionner à proximité des enfants ou des animaux. Ne pas entreprendre d'activités à proximité du fumoir pendant ou après l'utilisation avant qu'il ait refroidi. Ne pas donner de coup au fumoir ou le renverser. Si le fumoir devient excessivement brûlant, le laisser refroidir complètement avant toute manipulation. Si le fumoir ou ses composants doivent absolument être manipulés lorsqu'ils sont brûlants, toujours porter des gants de cuisinier isolants ou de protection contre la chaleur.

Le récipient à eau et le plateau pour copeaux de bois ne peuvent pas être déplacés lorsque le fumoir est en marche ou avant qu'il n'ait suffisamment refroidi. Ceux-ci contiennent des cendres ou liquides brûlants susceptibles de provoquer des blessures graves. Si ces ustensiles doivent être déplacés, TOUJOURS porter des gants de cuisinier isolants ou des gants de protection contre la chaleur.

Jeter les cendres froides en les

enveloppant dans du papier aluminium hautement résistant et en les plaçant dans un récipient non combustible. S'assurer qu'aucuns autres matériaux combustibles ne se trouvent à proximité du récipient ou dans celui-ci.

NE PAS gêner la circulation d'air de combustion et/ou de ventilation du fumoir.

Faire preuve de prudence lors de l'ouverture de la porte du fumoir lorsqu'il est en marche. Garder les mains, le visage et le corps suffisamment éloignés des vapeurs brûlantes ou des retours de flamme. Se protéger le nez et la bouche des inhalations de fumée. Ne pas porter de vêtements amples en utilisant le fumoir. Attacher les longs cheveux pour utiliser le fumoir. TOUJOURS porter des chaussures complètement fermées pour utiliser le fumoir.

Laisser le fumoir et ses composants refroidir complètement avant d'entamer tout nettoyage ou entretien ordinaire. Ne pas déplacer l'appareil lors de son utilisation.

Ne jamais utiliser de récipients en verre, plastique ou céramique dans un fumoir ou au-dessus de celui-ci. NE JAMAIS faire fonctionner le fumoir sans eau dans le récipient à eau. NE JAMAIS laisser l'eau s'évaporer complètement. Vérifier le niveau de l'eau au moins toutes les deux heures. Un grésillement peut indiquer que le niveau de l'eau est bas. Suivre les consignes de la présente notice pour ajouter de l'eau lorsque l'appareil est en marche.

Lors d'une cuisson à l'arôme de bois, ajouter une quantité suffisante de bois avant d'allumer le fumoir pour éviter de devoir ajouter du bois pendant que l'appareil fonctionne. L'ajout de bois pendant le fonctionnement du fumoir peut éclabousser de l'eau brûlante et provoquer des blessures graves.

L'utilisation d'ustensiles non prévus pour le fumoir n'est pas recommandée et peut provoquer des blessures et des dégâts matériels.

Une bouteille de GPL qui n'est pas raccordée ne peut pas être rangée à proximité du fumoir ou de tout autre appareil. Ne pas ranger de bouteilles de GPL de rechange à moins de 3 mètres (10 pieds) du fumoir. Ranger les bouteilles de GPL à l'extérieur, hors de portée des enfants.

Ne pas ranger de bouteille de GPL de rechange sous l'appareil ou à proximité de celui-ci. Ne jamais remplir la bouteille au-delà de 80 % de sa capacité. Si ces consignes ne sont pas suivies à la lettre, un incendie pouvant entraîner le décès ou des blessures graves risque de se produire.

Éteindre le fumoir et couper tous les robinets d'alimentation (au niveau des raccordements ou des bouteilles de carburant) si une odeur de gaz non brûlé est détectée. Ne pas essayer d'utiliser l'appareil avant d'avoir réparé toutes fuites de gaz.

Ne pas utiliser le fumoir si le brûleur refuse de s'allumer ou de rester allumé. Si tel est le cas, le gaz doit être coupé et les bouteilles de gaz doivent être débranchées. Ne pas faire fonctionner l'appareil par temps de grand vent.

Les bouteilles de GPL sont uniquement destinées à être utilisées en position verticale.

Il convient de veiller à ce que l'adaptateur de la bouteille de gaz ne soit pas dans le chemin des personnes ou des voitures.

Si l'appareil n'est pas utilisé, le gaz doit être coupé au niveau de la bouteille et la bouteille doit être débranchée de l'appareil.

Le rangement de l'appareil dans un endroit clos est uniquement autorisé lorsque la bouteille est débranchée et retirée de l'appareil.

Toutes les installations doivent être conformes aux codes locaux. En l'absence de tels codes, l'installation doit être conforme à la norme NFPA 54/ANSI Z223 du National Fuel Gas Code.

Installer le fumoir en plaçant l'ensemble du détendeur et de l'adaptateur le plus loin possible du brûleur. Garder le tuyau d'alimentation du carburant éloigné de toutes surfaces chauffées. Dans une telle configuration, la bouteille se trouve à la distance la plus éloignée possible du fumoir. Lorsque le fumoir est en marche, l'ensemble adaptateur/détendeur et la bouteille de gaz doivent être situés perpendiculairement par rapport à la direction du vent. Placer la bouteille à moins de 61 cm (24 po) du fumoir peut surchauffer la bouteille et provoquer une libération de propane via les orifices de ventilation et provoquer un incendie ou une explosion de la bouteille.



Raccordement de la bouteille de GPL

1. Le volant de manœuvre de la bouteille de GPL doit être fermé. Vérifier que le volant de manœuvre est tourné à fond dans le sens des aiguilles d'une montre.

2. Vérifier que le bouton de commande du fumoir est éteint.

3. Enlever le capuchon protecteur du robinet de la bouteille de GPL et l'écrou d'accouplement s'il y en a un.

4. Tenir le détendeur d'une main et introduire la bague dans la sortie du robinet. S'assurer que la bague est centrée dans la sortie du robinet. L'écrou de raccordement s'attache sur les filets externes les plus grands de la sortie du robinet.

5. Serrer l'écrou de raccordement à la main en le tournant dans le sens des aiguilles d'une montre jusqu'à ce qu'il soit serré au maximum. Serrer fort mais à la main uniquement.

6. Placer la bouteille à côté ou à l'arrière du fumoir. Veiller à ce que l'adaptateur ne

touche aucune partie du logement du brûleur.

ATTENTION: au cours du processus de raccordement, le raccordement du détendeur adhèrera hermétiquement à la valve de sécurité de la bouteille, ce qui provoquera une légère résistance. Le raccordement nécessite un demi à trois quarts de tour supplémentaire pour terminer le raccordement.

Toute bouteille de gaz doit être fabriquée et étiquetée conformément aux spécifications relatives aux bouteilles de propane du Département des transports américain (DOT) CFR49 ou de la norme canadienne CAN/CSA-B339. L'appareil ne peut être utilisé qu'avec des bouteilles verticales de 9 kg (20 lb) à échappement de vapeur.

Le fumoir est conçu pour fonctionner au gaz GPL (propane liquéfié) uniquement.

La bouteille de GPL de 9 kg (20 lb) utilisée avec ce fumoir doit respecter les critères suivants :

- prise de type 1
 - 30,5 cm (12 po) de diamètre
 - 45,7 cm (18 po) de hauteur
 - capacité maximale de 9 kg (20 lb)
 - La bouteille de gaz utilisée doit être munie d'un collet qui protège le robinet de la bouteille.
- La bouteille de gaz doit permettre l'évacuation des vapeurs. Suivre les consignes indiquées sur les bouteilles de gaz lors du remplissage ou du transport des bouteilles. Le non-respect pourrait provoquer des problèmes liés au remplissage excessif, à l'échappement excessif de gaz à partir de la soupape de sécurité et au gel du détendeur. Ne jamais remplir la bouteille au-delà de 80 % de sa capacité.

Ne jamais autoriser la terre ou des corps étrangers à pénétrer à l'intérieur du raccordement ou au-dessus de celui-ci lorsque l'appareil n'est pas raccordé au système d'alimentation. Utiliser le bouchon protecteur fourni.

Placer le capuchon anti poussière fourni sur le robinet de la bouteille lorsque celle-ci n'est pas utilisée. Installer uniquement

le type de capuchon anti poussière sur le robinet de la bouteille qui est fourni avec celui-ci. D'autres types de capuchons ou bouchons peuvent entraîner une fuite de propane.

Les bouteilles doivent être remplies avant leur utilisation initiale. Toutes les opérations de manutention, transport, remplissage et entreposage des bouteilles de GPL doivent être conformes à la norme ANSI/NFPA 58 relative à l'entreposage et à la manutention des produits de pétrole liquéfiés et CAN/CSA b149.2 du Code d'installation du gaz naturel et du gaz propane. Les bouteilles doivent être correctement attachées lors du transport. Ne pas déposer d'autres objets au-dessus des bouteilles à aucun moment.

Les bouteilles ne doivent pas être exposées à des températures excessives ou une chaleur élevée. Se référer à la plaque signalétique pour le numéro du modèle. À la sortie de l'usine, les appareils sont uniquement équipés pour être utilisés avec un seul type de carburant. Ces appareils ne peuvent et ne doivent pas être utilisés avec d'autres types de carburant. Le faire pourrait endommager sérieusement l'appareil et la zone d'installation et risque en outre de provoquer des blessures graves. Toute tentative de faire fonctionner ce produit avec des carburants pour lesquels il n'est pas conçu, annule la garantie du fabricant.

Cet appareil ne peut pas être utilisé avec un dispositif d'alimentation de gaz GPL non autonome.

L'ensemble du détendeur et de l'adaptateur fourni par le fabricant avec l'appareil doit être utilisé. Les ensembles détendeur/adaptateur de remplacement doivent être ceux spécifiés par le fabricant de l'appareil. Vérifier le numéro du modèle de l'adaptateur sur l'autocollant signalétique sur le côté de l'appareil.

L'ensemble détendeur/adaptateur doit être manipulé avec précaution pour empêcher la contamination par des corps étrangers et la terre. L'ensemble doit être inspecté avant usage et toutes traces

de terre ou contamination, nettoyées. Pour garantir un fonctionnement correct, tout remplacement de l'ensemble du détendeur doit s'effectuer avec des pièces autorisées par le fabricant. Les détendeurs/robinets sont réglés à la sortie de l'usine aux pressions de fonctionnement correctes. Il ne faut jamais essayer de modifier ces réglages.

Test d'étanchéité

Lorsque tous les raccordements sont terminés, vérifier la présence de fuites au niveau de tous les raccordements et connexions avec une solution savonneuse.

Lorsque tous les robinets sont fermés, étendre la solution du test d'étanchéité (un mélange de 50 % de détergent vaisselle et de 50 % d'eau) sur tous les raccordements et connexions transporteurs de gaz.

Ouvrir le robinet de la bouteille. La présence de bulles dans la zone où la solution savonneuse est étendue, indique une fuite de gaz. Si des fuites sont décelées ou que vous sentez ou entendez du gaz, fermer le robinet et réparer la fuite ou remplacer la pièce défectueuse. Ne pas utiliser le fumoir avant d'avoir réparé toutes les fuites.

INSTRUCTIONS DE FONCTIONNEMENT

Procédures avant l'utilisation

Avant de cuire des aliments dans votre fumoir, il est important de « conditionner » votre fumoir. Le conditionnement assure l'étanchéité de la peinture et de l'intérieur de votre fumoir, ce qui améliore la saveur et la longévité et, de manière générale, permet d'obtenir de meilleurs résultats. C'est ce qu'on appelle aussi le processus de « rodage ». Si votre fumoir nécessite une retouche de peinture à l'intérieur du boîtier, l'unique occasion de le faire est avant le processus de conditionnement. Ne pas appliquer de peinture à l'intérieur de votre fumoir après avoir utilisé celui-ci. Les toxines libérées par la peinture peuvent contaminer la nourriture. Utiliser uniquement une peinture haute température.

Suggestions de combinaisons de bois/viande :

Poisson:	<i>aulne</i>	<i>cerisier</i>	<i>cèdre</i>	
Porc:	<i>pommier</i>	<i>prosopis</i>	<i>cerisier</i>	<i>chêne</i>
	<i>érable</i>	<i>pêcher</i>	<i>pacanier</i>	
Bœuf:	<i>hickory</i>	<i>prosopis</i>	<i>pacanier</i>	<i>cerisier</i>
Volaille:	<i>aulne</i>	<i>chêne</i>	<i>érable</i>	<i>pêcher</i>

Conseils de cuisson - bois d'arôme :

- Votre fumoir vous donnera les meilleurs résultats avec des copeaux de bois de taille moyenne à grande.
- Utiliser des copeaux de bois comme l'hickory, le pacanier, le pommier, le cerisier ou le prosopis.
- La plupart des bois provenant des arbres fruitiers et arbres à noix libèrent d'excellents arômes de fumaison.
- Ne pas utiliser de bois de conifères comme les pins ou le contreplaqué. Ceux-ci libèrent ordinairement des arômes désagréables.
- Donnez libre cours à vos goûts ; essayez plusieurs types et quantités de morceaux ou copeaux de bois ou branches. Vous pouvez également mélanger les types de bois.
- Pour produire davantage de fumée et empêcher une combustion rapide, faire tremper les copeaux de bois dans un bol d'eau pendant une durée minimale de 30 minutes. Pour allonger le temps de combustion du bois, recouvrir le plateau à copeaux d'un papier aluminium. Percer plusieurs trous dans le papier aluminium pour laisser la fumée s'échapper.
- La plupart de l'arôme se dégage pendant la première heure de cuisson. L'ajout de copeaux de bois après la première heure n'est ordinairement pas nécessaire à moins de vouloir renforcer l'arôme.

Fumaison à basse température :

- Pour les fumaisons à basse température du charqui de poisson, utiliser une boîte de conserve de thon ou du papier aluminium dans laquelle/lequel vous placez les copeaux de bois, directement au-dessus du brûleur. Vous devrez faire tremper les copeaux de bois et les recouvrir de papier aluminium pour les empêcher de brûler.
- Utiliser des planures au lieu de copeaux ou morceaux de bois. Laisser la porte ouverte et mettre sur HIGH pendant quelques minutes jusqu'à ce que le bois se mette à fumer. Abaisser ensuite la température de cuisson. Cette procédure peut être répétée plusieurs fois pendant le processus de cuisson pour que les planures continuent de fumer.

Pour conditionner votre fumoir, il suffit de le faire fonctionner comme d'ordinaire, sans cuire d'aliments. Vous devrez respecter toutes les procédures de fonctionnement des quelques sections suivantes de la présente notice.

En utilisant les bois et les marinades dont vous avez envie, faire fonctionner votre fumoir à basse température, environ 79 °C (175 °F), pendant 45 à 60 minutes. Laisser le fumoir refroidir, et nettoyer l'eau et le bois utilisés.

Lorsque le conditionnement est terminé, l'intérieur de votre fumoir possèdera un revêtement durable et conditionné.

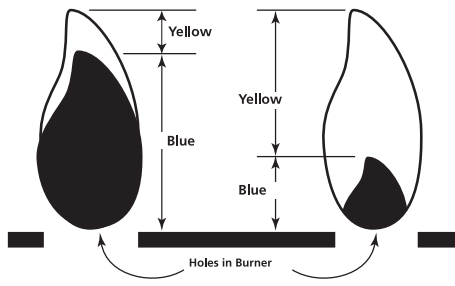
Ajout d'eau

Pour ajouter de l'eau avant la cuisson, il suffit d'enlever le récipient à eau et de le remplir avec de l'eau à 2,5 cm (1 po) du bord. Replacer ensuite le récipient au bas de l'étagé. Pour ajouter de l'eau lorsque le fumoir est chaud, NE PAS retirer le récipient de son étage.

Ajout de bois/charbon de bois

Pour ajouter des copeaux de bois avant la cuisson, il suffit de remplir le plateau pour copeaux de bois avec les copeaux de bois de votre arôme favori. C'est à vous de décider de la quantité et du type de bois à utiliser. Un plateau entièrement rempli est ordinairement suffisant pour plusieurs heures de fumaison. Lorsque le plateau est rempli, le déposer dans le fumoir.

Pour ajouter des copeaux de bois pendant la cuisson, nous vous recommandons d'utiliser des pinces ou autre ustensile à long manche pour déposer les copeaux/charbons



de bois dans le plateau pour copeaux de bois sans retirer celui-ci. Il n'est pas recommandé de retirer le plateau pour copeaux de bois lorsque le fumoir fonctionne.

AVERTISSEMENT: le plateau pour copeaux de bois devient brûlant. Éviter de le manipuler pendant son utilisation. Toujours porter des gants de cuisinier isolants ou des gants de protection contre la chaleur lorsque vous manipulez des composants

Procédures d'allumage

1. Vérifier la présence de fuites au niveau de tous les raccordements à l'aide du test d'étanchéité à l'eau savonneuse.
2. Ouvrir la porte du boîtier du fumoir.
3. Vérifier la présence de toute obstruction au niveau du tube venturi ou du brûleur. Retirer tout corps étranger ou toute substance étrangère.
4. S'assurer que le bouton de commande du brûleur est en position OFF (ARRÊT).
5. Ouvrir le robinet de la bouteille de gaz GPL de 1-1/2 tour UNIQUEMENT en le tournant dans le sens contraire des aiguilles d'une montre.
6. Tourner lentement le bouton de commande du brûleur dans le sens contraire des aiguilles d'une montre jusqu'au réglage HIGH (élevé). L'allume-gaz doit donner une étincelle et allumer le brûleur.
7. Il faut observer une petite étincelle et entendre l'allume-gaz s'allumer. Si le brûleur ne s'allume pas, éteindre le bouton de commande et recommencer la procédure ci-dessus.
8. Dès que le brûleur est allumé, fermer la porte pour laisser la chaleur s'accumuler. Les registres d'air peuvent ensuite être ajustés au réglage souhaité pour permettre une circulation d'air et une combustion correctes. Les conseils de réglage des registres d'air figurent sur la page suivante.



Allumage au moyen d'une allumette

1. Suivre les étapes 1 à 5 des procédures d'allumage ci-dessus.
2. Retirer le plateau pour copeaux de bois qui est à l'intérieur du fumoir.
3. Frotter une allumette en papier.
4. Placer le bouton de commande sur la position LOW (bas) et placer immédiatement l'allumette allumée à proximité de l'extrémité du brûleur.

Allumage au moyen d'un briquet à gaz à long bec

1. Suivre les étapes 1 à 5 des procédures d'allumage ci-dessus.
2. Retirer le plateau à copeaux de bois qui est à l'intérieur du fumoir. Insérer un briquet à gaz à long bec à proximité du logement du brûleur, en veillant à qu'il soit situé au-dessus du brûleur. Tourner rapidement le bouton de commande sur la position LIGHT (bas). Si le brûleur ne s'allume pas dans les 4 à 5 secondes, fermer le bouton de commande, attendre 5 minutes, et recommencer la procédure.

Éteindre le fumoir

MISE EN GARDE : l'appareil peut devenir brûlant pendant son utilisation. Ne toucher aucune partie du fumoir à l'exception de la poignée de porte et du bouton de commande du brûleur. Le port de gants de protection peut s'avérer nécessaire.

Fermer le bouton de commande du brûleur en l'enfonçant et en le faisant tourner dans le sens des aiguilles d'une montre. La flamme du brûleur doit alors s'éteindre. Fermer le robinet de la bouteille de gaz GPL en tournant à fond le volant de manœuvre dans le sens des aiguilles d'une montre.

Respecter tous les avertissements et consignes de sécurité avant de retirer la viande du fumoir ou de préparer l'entreposage de l'appareil. Suivre les instructions de la présente notice pour les procédures d'entreposage correct et les mises en garde et avertissements importants qui y figurent.

Vérification de la flamme du brûleur

- Allumer le brûleur ; tourner le bouton de la position HIGH vers la position LOW. La flamme dans la position LOW doit

être plus petite que dans la position HIGH. Toujours vérifier la flamme avant chaque utilisation. Une flamme bleue avec peu ou pas de flamme jaune produit la chaleur optimale. Si la flamme est jaune, nettoyer le brûleur en suivant les instructions de nettoyage ci-dessous

Si la flamme s'éteint accidentellement, éteindre l'appareil et attendre 5 minutes avant d'essayer un nouvel allumage.

Instructions de cuisson

Remplir le plateau pour copeaux de bois avec les copeaux aromatisants et placer le plateau à l'intérieur du fumoir selon les instructions qui figurent dans la section de montage de la présente notice. Se référer à la section qui expose les recommandations concernant les arômes de bois à utiliser.

Placer le récipient à eau à l'intérieur du fumoir sur l'étagé inférieur comme expliqué dans la section de montage de la présente notice. Remplir avec précaution le récipient à eau d'eau ou de marinade à 2,5 cm (1 po) du bord. Un récipient plein durera pendant environ 2 à 3 heures. Ne pas remplir excessivement ou laisser déborder le récipient à eau.

Vous êtes maintenant prêt à allumer le brûleur. Se référer à la procédure d'allumage exposée sur les pages précédentes de la présente notice. La chaleur du brûleur consommera les copeaux de bois, ce qui permettra ainsi à l'arôme de fumée de s'accumuler. Ajuster les registres d'air pour régler la chaleur.

Placer la nourriture sur les grilles de cuisson en une couche unique en espaçant les morceaux d'aliments. Ceci permettra à la fumée et l'humidité chaude de circuler uniformément autours des pièces à fumer.

Une fumaison de 2 à 3 heures à une température de cuisson constante idéale de 93 °C à 107 °C (200 °F à 225 °F) donnera les meilleurs résultats. Cette température est mesurée par l'indicateur de chaleur monté à l'avant du fumoir. Pour obtenir une viande plus tendre et plus fumée, il est préférable d'utiliser

une température plus basse. Si vous ne disposez pas de beaucoup de temps, il est recommandé d'utiliser une plage de température plus élevée.

Vérifier le niveau de l'eau de temps à autre et rajouter de l'eau si le niveau est bas. Pour obtenir les meilleurs résultats et garder la chaleur, éviter d'ouvrir la porte du fumoir pendant la fumaison. Si la porte doit être ouverte, ne l'ouvrir que brièvement. Le fumoir retrouvera vite sa température de cuisson lorsque la porte est fermée. Toujours utiliser un thermomètre à sonde à viande pour vérifier la cuisson correcte des aliments avant de les retirer du fumoir. Après chaque utilisation et lorsque le fumoir a refroidi, enlever prudemment le récipient à graisse du bas du fumoir pour vider la graisse et le nettoyer.

Conseils de cuisson:

Placer un papier aluminium dans votre récipient à eau avant chaque utilisation pour en faciliter le nettoyage et contribuer à augmenter sa longévité. Pour ajouter de l'eau plus facilement et plus rapidement, utiliser un arrosoir d'eau propre muni d'un long bec verseur.

Conseil de cuisson – ajustement des registres d'air :

- Lors des ajustements, ouvrir la porte suffisamment pour voir la flamme.
- Pour obtenir de meilleurs résultats, placer le fumoir de sorte que l'avant ou l'arrière du boîtier soit face au vent. Ceci permet à l'ajustement des registres d'air d'être plus efficace et plus précis.
- Les registres d'air ne doivent jamais être complètement fermés.
- L'ouverture d'un registre d'air latéral permet une plus grande consommation d'oxygène par le feu, en alimentant les flammes et en provoquant une augmentation de la température.
- L'ouverture du registre d'air supérieur contribue à évacuer la chaleur et la fumée.
- Pour obtenir une fumaison efficace, l'important est de surveiller l'indicateur de chaleur sur la porte et d'ajuster les registres d'air en conséquence. Le contrôle de la température est optimal pour différentes configurations d'ajustement de registres d'air.

Nettoyage et entretien

ATTENTION: avant chaque utilisation, nettoyer et vérifier l’adaptateur et le raccordement à la bouteille de GPL. Si l’adaptateur présente certains signes d’abrasion, d’usure, de coupures ou de fuites, le remplacer avant la prochaine utilisation. Se référer aux consignes relatives au test d’étanchéité qui figurent dans la section relative au raccordement à la bouteille de GPL de la présente notice. Vérifier le numéro du modèle de l’adaptateur sur l’autocollant signalétique sur le côté de l’appareil.

AVERTISSEMENT: toutes les procédures de nettoyage et d’entretien ne peuvent qu’être effectuées pendant que le fournoir est éteint et refroidi.

Ne déposer aucuns matériaux combustibles, essence et autres vapeurs et liquides inflammables à proximité de l’appareil.

Ne pas bloquer la circulation de l’air de combustion et de ventilation en couvrant les orifices d’aération latéraux du logement du brûleur ou en fermant complètement les registres d’air.

Nettoyer le récipient à eau et les grilles de cuisson à l’eau chaude savonneuse. Rincer et bien faire sécher. Appliquer ou vaporiser un fin film d’huile de cuisson sur le récipient à eau et les grilles de cuisson.

Vérifier souvent que le venturi et le brûleur ne renferment pas d’insectes ou de nids d’insectes et nettoyer le cas échéant. Un tube bouché peut provoquer un incendie à l’extérieur du fournoir. S’assurer aussi que le fournoir ne contient pas de corps étrangers obstruant la circulation de l’air de combustion et de ventilation.

Pour nettoyer l’intérieur et l’extérieur du fournoir, il suffit d’utiliser un chiffon humide. Il n’est pas recommandé d’asperger le fournoir avec un tuyau d’arrosage. Toute l’humidité doit être essuyée et ne peut rester à l’intérieur ou au-dessus du fournoir. Enlever le plateau à graisse avec précaution, jeter la graisse et bien laver. Lorsque le nettoyage est

terminé, vous pouvez vaporiser ou appliquer un fin film d’huile de cuisson sur l’intérieur du fournoir.

Si la surface extérieure du fournoir présente certaines traces de rouille, nettoyer la zone avec de la laine d’acier ou une toile d’émeri et appliquer une peinture résistante à la chaleur de très bonne qualité.

Ne jamais appliquer de peinture supplémentaire à l’intérieur du fournoir. Si l’intérieur du fournoir présente certaines traces de rouille, les nettoyer à fond avec de la laine d’acier ou une toile d’émeri et vaporiser ou appliquer un fin film d’huile de cuisson pour contribuer à minimiser le retour de la rouille.

Lorsqu’une bouteille de GPL n’est pas raccordée et pour contribuer à empêcher la terre ou d’autres corps étrangers de boucher l’adaptateur, suspendre l’extrémité de celui-ci à l’aide du crochet en S fourni.

Vérifier la flamme au niveau du brûleur. Une bonne flamme devrait être bleue avec des pointes jaunes de 2,5 cm à 5 cm (1 po à 2 po) de long. Si les flammes deviennent excessivement jaunes ou irrégulières, il se peut que des résidus d’huile et des dépôts alimentaires se soient accumulés sur le brûleur. Essayer de nettoyer la surface du brûleur et les orifices pour obtenir de meilleures flammes. La mauvaise qualité des flammes peut aussi s’expliquer par une mauvaise connexion entre l’adaptateur et le tube venturi.

Pour protéger votre fournoir des intempéries, toujours le couvrir lorsqu’il ne sert pas.

Tableau des températures

(norme du Département américain de l’agriculture USDA)

Viandes hachées et mélanges de viande :

Dinde, poulet 74 °C (165 °F)

Veau, agneau 71 °C (160 °F)

Bœuf, porc 71 °C (160 °F)

Bœuf frais :

saignant 63 °C (145 °F)

à point 71 °C (160 °F)

bien cuit 77 °C (170 °F)

Agneau frais

saignant 63 °C (145 °F)

à point 71 °C (160 °F)

bien cuit 77 °C (170 °F)

Veau frais

saignant 63 °C (145 °F)

à point 71 °C (160 °F)

bien cuit 77 °C (170 °F)

Volaille

Poulet, entier 82 °C (180 °F)

Dinde, entière 82 °C (180 °F)

Poitrines, rôti 77 °C (170 °F)

Cuisses, ailes 82 °C (180 °F)

Canard et oie 82 °C (180 °F)

Porc frais

à point 71 °C (160 °F)

bien cuit 77 °C (170 °F)

Jambon

frais (cru) 71 °C (160 °F)

précuit 60 °C (140 °F)

Poisson

frais 57 °C (135 °F) (71 °C (160 °F) pour le

poisson-chat)

(cuire jusqu’à ce qu’il devienne opaque

ou se détache facilement à la fourchette)

Remarque : vérifier la température avec un thermomètre à viande. Le thermomètre situé sur la chambre du fournoir sert à mesurer la température interne du fournoir uniquement.

POULET AU MIEL FUMÉ À L’ÉRABLE

2 poulets entiers d’élevage de 1,4 kg à 2,3 kg (3 à 5 lb) chacun

Assaisonnement sec

3 c. à soupe (45 ml) de sel kascher

1 c. à soupe (15 ml) de paprika

2 c. à soupe (30 ml) de romarin séché

Marinade

1/2 tasse (120 ml) de beurre fondu

2 c. à thé (10 ml) d’ail en poudre

2 c. à soupe (30 ml) de miel

1/2 tasse (120 ml) de boisson gazeuse au citron et à la lime

Préparation :

Combiner les ingrédients de la marinade dans un petit récipient et bien mélanger. À l’aide d’une seringue, injecter la marinade dans les poitrines et les cuisses des poulets.

Dans un petit récipient, mélanger les ingrédients de l’assaisonnement sec. En froter l’extérieur des poulets. Placer dans un sachet en plastique et réserver au réfrigérateur pendant 30 minutes.

Placer des copeaux d’érable préalablement trempés dans la chambre du fournoir. Recouvrir la couche de copeaux d’un papier aluminium. Percer 8 à 12 trous dans le papier aluminium pour laisser la fumée s’échapper. Remplir le récipient à eau à moitié avec de l’eau froide.

MÉTHODE 1 - LA GRILLE

Placer les poulets sur la même grille de cuisson dans la chambre du fournoir. Allumer et cuire à feu moyen. Vérifier régulièrement pour conserver une température approximative de 107 à 121 °C (225 à 250 °F). Cuire pendant 3 à 4 heures environ. Cuire jusqu’à ce que la température interne de la viande atteigne 82 °C (180 F) (vérifier avec un thermomètre à viande).

MÉTHODE 2 – double porte-cannettes de bière

Ne pas remplir le récipient à eau. Déposer deux cannettes de boisson gazeuse au citron et à la lime ou de bière (à moitié remplies) dans le double porte-cannettes. Placer les poulets au-dessus du porte-cannettes et placer le tout dans la chambre du fournoir. Fumer à feu moyen, en maintenant une température approximative de 121 à 149 °C (250 à 300 °F). Cuire pendant environ 1 1/2 à 2 heures jusqu’à ce que la température intérieure de la viande atteigne 82 °C (180 °F).

Côtes de porc fumées au pommier des montagnes Rocheuses

2 grands carrés de côtes levées de porc (ou petites côtes levées de dos), parés

Assaisonnement sec

1 c. à soupe (15 ml) de cassonade

1 c. à thé (5 ml) de cannelle moulue

2 c. à soupe (30 ml) de thym broyé séché

1 c. à thé (5 ml) de marjolaine broyée

2 c. à thé (10 ml) de sauge broyée

2 c. à soupe (30 ml) de poivre du moulin

2 c. à soupe (30 ml) de sel kascher

Préparation :

Essuyer les côtes avec du papier absorbant.

Dans un petit récipient, mélanger les ingrédients secs. Recouvrir généreusement les côtes de l’assaisonnement sec. Placer dans un sachet en plastique et réserver au réfrigérateur de 6 à 24 heures. Laisser les côtes revenir à la température ambiante avant la cuisson (25 minutes).

Remplir le plateau pour copeaux de copeaux de pommier préalablement trempés. Couvrir le plateau pour copeaux d’un papier aluminium. Percer des trous dans le papier aluminium pour laisser la fumée s’échapper. Remplir le récipient à eau d’eau froide. Allumer le fournoir et régler à feu moyen. Temps de cuisson : environ 2 à 3 1/2 heures.

Fumer jusqu’à ce que la température interne de la viande atteigne 54 °C (130 °F) et retirer ensuite le récipient à eau et fumer à sec jusqu’à ce que la température atteigne 68 °C (155 °F). Les côtes sont cuites lorsque 3 à 6 mm (1/8 à 1/4 po) de l’extrémité de l’os apparaissent et que les côtes se détachent facilement.

Poitrine de bœuf aromatisée à l’hickory de plantation

Poitrine de bœuf de 1,8 à 2,7 kg (4 à 6 lb)

Marinade

2,5 tasses (6 dl) de jus d’ananas en conserve

1/4 tasse (60 ml) de jus d’orange sans pulpe

1 tasse (240 ml) de sauce de soja

1/4 tasse (60 ml) de sauce Worcestershire

1/4 tasse (60 ml) de bourbon

1/2 tasse (120 ml) de vinaigre

2 c. à soupe (30 ml) de romarin broyé séché

1 c. à soupe (15 ml) de sel kascher

1/4 c. à thé (1,25 ml) de poudre de moutarde

4 gousses d’ail, finement hachées

Préparation :

Ne pas retirer le gras de la poitrine avant la fin de la cuisson. Le gras contribue à attendrir la viande pendant la cuisson.

Combiner les ingrédients de la marinade et les mélanger. Couvrir la poitrine de marinade dans un sac de plastique. Réserver la poitrine au réfrigérateur pendant 12 à 24 heures, en la retournant toutes les quelques heures.

Remplir le plateau pour copeaux de copeaux d’hickory. Remplir le récipient à eau d’eau froide.

Cuire à feu moyen pendant 1 à 2 heures jusqu’à ce que la température interne atteigne 71 °C (160 °F). La poitrine doit être cuite longtemps et lentement. Lorsque la température interne atteint 71 °C (160 °F), essayer de la maintenir tout en fumant pendant 2 à 3 heures supplémentaires.

Conseil pour servir: couper des tranches de 3 mm (1/8 po) d’épaisseur, coupées à 45 °, dans le sens

contraire du grain. Tenir le couteau parallèle à la viande.

Saumon fumé à la planche de cèdre

Grands pavés ou steaks de saumon

Assaisonnement sec

3 c. à soupe (45 ml) de cassonade

2 c. à soupe (30 ml) de sauce Worcester

2 c. à soupe (30 ml) d’aneth frais

1 c. à soupe (15 ml) de noix hachées

1 c. à thé (5 ml) d’huile d’olive

Préparation :

Combiner les ingrédients de l’assaisonnement sec dans un petit récipient et mélanger. Placer le pavé ou le steak de saumon au-dessus de la planche de cèdre préalablement trempée. Recouvrir le dessus du saumon d’assaisonnement. La planche de cèdre remplace les copeaux de bois. Allumer le fournoir et fumer à sec (récipient à eau vide) pendant 45 minutes à 1 heure sur feu moyen à élevé jusqu’à ce que le poisson soit opaque et que la chair commence à se détacher facilement à la fourchette près de l’arête dorsale.

CONSEILS : ÉVITER LES ARBRES À FEUILLES PERSISTENTES.

Ne pas utiliser les pins ou autres conifères pour la fumaison.

BROYER LES ÉPICES

Broyer les graines et les feuilles des épices pour libérer le plus possible d’arômes et d’huiles afin d’obtenir les meilleurs résultats.

APPRIVOISER LA VENAISON

Pour équilibrer les saveurs prononcées de la venaison, utiliser des épices et des ingrédients plus forts ou en plus grandes quantités. Ajouter du vin rouge ou du vinaigre dans vos marinades.

SAUMURER POUR ATTEINDRE LA PERFECTION

La saumure peut contribuer à attendrir les viandes. Les saumures dotées d’arômes supplémentaires transmettent l’arôme en profondeur dans la texture de la viande.

AJOUTER LA SAUCE

Sélectionner des sauces qui complètent les arômes de votre viande et de votre bois. Les sauces très sucrées doivent être ajoutées à la fin du processus de cuisson pour minimiser le noircissement. Les sauces poivrées peuvent être relevées à l’aide de raisins secs émincés, de jus d’orange et de cassonade pour créer votre parfaite recette maison.

GALERIE DE RECETTES

Vérifier notre site à l’adresse www.campchef.com pour trouver de nombreuses bonnes recettes de fumaisons, saumures, marinades et sauces. Vous pouvez aussi partager vos propres recettes préférées.

GARANTIE LIMITÉE

Pour activer la garantie, remplir le formulaire d'inscription ci-joint et l'expédier par courrier à Camp Chef, 3985 N. 75 W. Hyde Park, UT 84318 États-Unis, ou s'inscrire en ligne à: CampChef.com

Le fabricant garantit que les composants du réchaud (à l'exception de la peinture de la finition) sont exempts de défauts de matériaux ou de fabrication pendant un an à partir de la date d'achat. Tous les accessoires (compris avec le réchaud ou achetés séparément) sont garantis contre tout défaut de matériaux ou de fabrication pendant 90 jours à partir de la date d'achat initiale. Durant ces périodes, le fabricant s'engage à remplacer ou réparer les pièces défectueuses considérées comme étant inutilisables par rapport à l'usage auquel elles étaient initialement destinées et à les fournir FOB Hyde Park, UT 84318 États-Unis.

La peinture et la finition du produit ne sont pas garanties. La finition extérieure du produit s'use avec le temps. Retoucher au besoin l'extérieur avec de la peinture à pulvériser résistant aux températures élevées. Ne pas peindre les surfaces intérieures.

Nettoyer l'appareil après chaque utilisation afin d'en préserver la finition et d'en prolonger la durée de vie. Essuyer les traces de graisse et de cendres. Protéger les produits métalliques contre l'humidité, les sels, les acides et les fortes fluctuations de température.

La garantie ne couvre pas l'usure normale des pièces ou les dommages causés par une mauvaise utilisation, les abus, la surchauffe et les modifications. Toute réparation ou modification effectuée par quiconque autre que Camp Chef n'est pas couverte par la présente garantie. Le fabricant ne saurait être tenu responsable de toute perte due à une utilisation entachée de négligence. De plus, la présente garantie ne s'étend pas aux dommages causés par des catastrophes naturelles telles que tremblements de terre, ouragans, tornades, inondations, foudre, incendie, etc.

La responsabilité du fabricant prend fin à l'expiration de la garantie. Il n'existe aucune autre garantie expresse ou implicite.

Conserver toutes les factures d'origine. Une preuve d'achat est requise pour toute réclamation en vertu de la garantie. Obtenir au préalable une autorisation écrite et un numéro d'autorisation de retour de marchandise. Les articles retournés sont acceptés uniquement en vue d'une réparation ou d'un remplacement. Expédier tout retour port payé. Les envois en port dû sans numéro d'autorisation de retour de marchandise ne sont pas acceptés.

Pour obtenir des services sous garantie, appeler le 1.800.650.2433.

*La garantie s'applique aux états américains contigus uniquement.



3985 N. 75 W., Hyde Park, UT 84318
1.800.650.2433
www.campchef.com
1211-SMV18S-BookletFR
Made In China

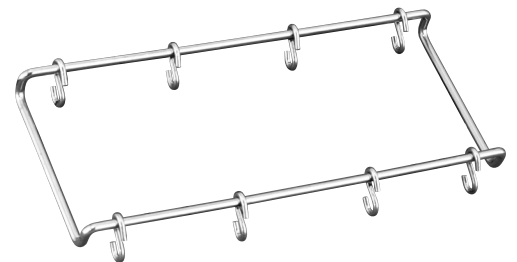
Check Out These And Other Great Accessories Online at www.campchef.com



Patio Cover
Model #: PC-18



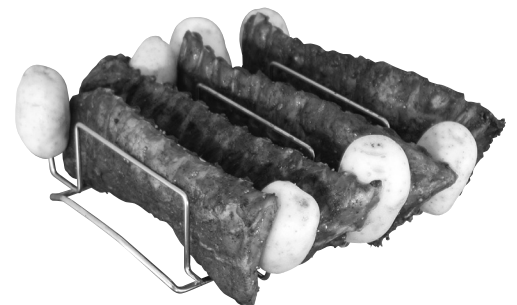
Heat Resistant Gloves
Model #: GLV-15



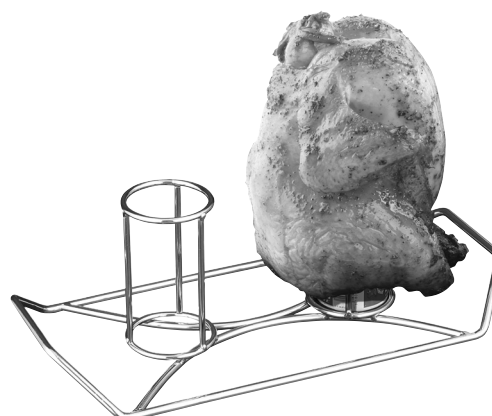
Sausage Hooks
Model #: SSG-18



Turkey Cannon
Model #: TKYC



Rib & Potato Rack
Model #: RIBRK



Beer Can Chicken
Model #: BCH-2