

# INSTALLATION INSTRUCTIONS FOR SOLAR GABLE-MOUNTED VENTILATORS

*Models: CXSOLGB, VX2515SOLARGABL*

**Read all warnings and instructions before starting installation of this fan**

**FAILURE TO FOLLOW THESE INSTRUCTIONS COULD RESULT IN INJURY OR EVEN DEATH**

1. Use this unit only in the manner intended by the manufacturer. If you have any questions, contact the manufacturer.
2. Installation work and electrical wiring must be done by qualified person(s) in accordance with all applicable codes and standards, including fire-rated construction.
3. When cutting or drilling into wall or ceiling, do not damage electrical wiring and other hidden utilities.
4. The combustion airflow needed for safe operation of fuel-burning equipment may be affected by this unit's operation. Follow the heating equipment manufacture's guideline and safety standards such as those published by the National Fire and Protection Association (NFPA), and the American Society for Heating, Refrigeration and Air-conditioning Engineers (ASHRAE), and the local code authorities.

## CAUTION

1. **This fan is controlled by a solar panel and may start unexpectedly if the panel is exposed to sunlight. Keep the panel securely covered until the fan is mounted, or when servicing the fan.**
2. **This unit has an unguarded propeller. Do not use in locations readily accessible to people or animals.**
3. **Mount with the lowest moving parts at least 8 feet above floor level.**
4. **For general ventilating use only. Do not use to exhaust hazardous or explosive materials and vapors.**
5. **Carbon monoxide is an odorless, colorless gas that can kill. It may be drawn into the house by operating this fan if your fuel-burning equipment is not properly maintained, or if you lack adequate attic intake vents.**



VENTAMATIC, LTD.  
100 WASHINGTON STREET, MINERAL WELLS, TX 76068-0728  
PHONE: (800) 433-1626 - FAX: (940) 325-9311 - [www.bvc.com](http://www.bvc.com)



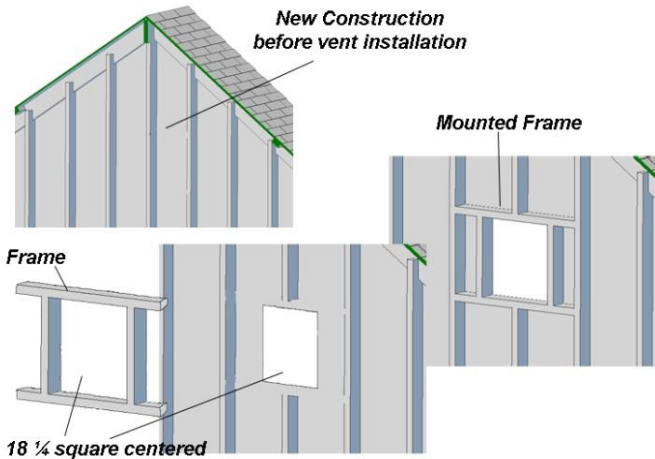
# INSTALLATION INSTRUCTIONS

THIS GABLE-MOUNTED SOLAR VENTILATOR IS DESIGNED FOR ATTICS OF AVERAGE SIZE AND OPERATES MOST EFFICIENTLY WHEN AIR INTAKES ARE LOCATED AROUND THE EAVES. ALTERNATIVELY, AIR INTAKE MAY BE FROM OPPOSING GABLE VENTS, BUT NEVER FROM ROOF OR RIDGE VENTS. AT LEAST 400 SQ-IN NET FREE AIR INTAKE VENT AREA IS REQUIRED, PER UNIT, FOR SAFE AND EFFICIENT OPERATION. THE MOTOR OPERATES ON 18 V.D.C. CURRENT AND THE SOLAR PANEL IS RATED AT 12.6 WATTS.

THIS UNIT MAY BE MOUNTED BEHIND ANY STYLE OF NON-OPERABLE LOUVERS WITH A NET FREE AREA OF AT LEAST 150 SQ-IN

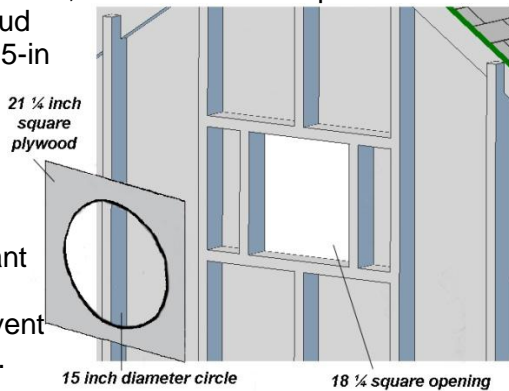
## Step 1

For new installation or installation behind existing louvers, using 2 x 4 studs, frame an opening at least 18 1/4-in square (depending on stud spacing) on center, on the attic side of the gable.



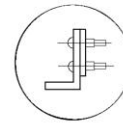
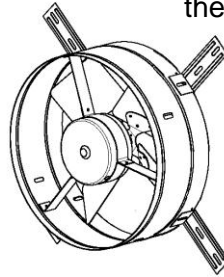
## Step 2

Cover the opening with a square piece of plywood, paneling, or sheetrock, at least 21 1/4-in square (depending on stud spacing). Cut a 15-in diameter hole in the center of this panel, to allow the shroud of the fan to enter the hole. It is important to block off any remaining open vent area in the gable.



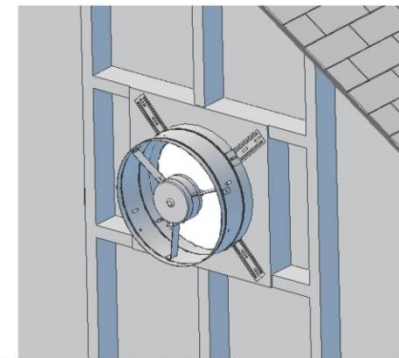
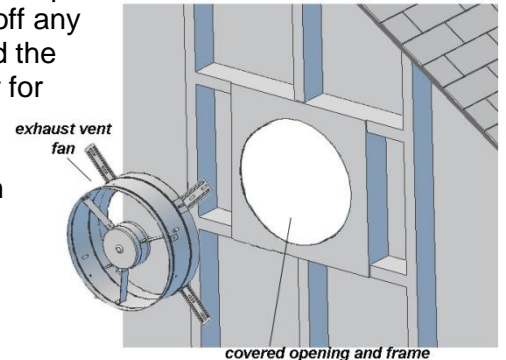
## Step 4

With the nuts and bolts furnished, secure the 4 mounting brackets to the shroud and then fasten the unit to the frame. Mounting the L brackets with the long side to the shroud may better fit your installation and also help reduce vibration.



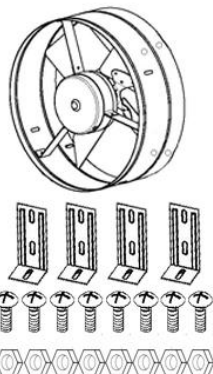
Also, the use of a sound-dampening barrier, such as rubber washers or foam stripping will help reduce resonance in the walls. Seal off any gaps around the fan, in order for the fan to function at maximum efficiency.

Seal off any gaps around the fan, in order for the fan to function at maximum efficiency.



## Step 3

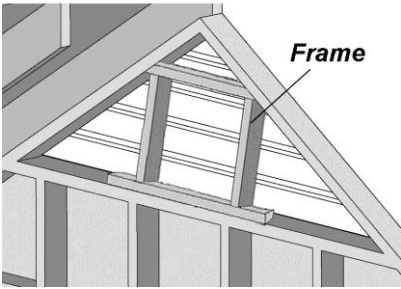
Carefully remove power gable mounted attic vent from carton. Remove assembly hardware kit from carton. Kit includes: 8 nuts, 8 bolts and 4 L-shaped mounting brackets.



**TIP:** Much of the preparation, wiring of thermostat, testing, and mounting to the frame can be done before final installation in the attic.

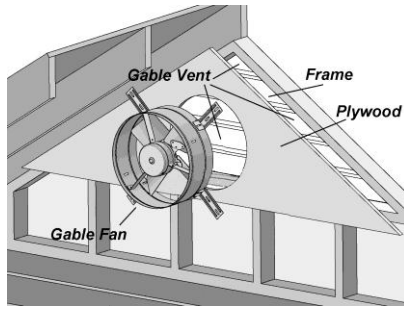
For installation behind triangular gable vents, refer to steps 1-3 opposite and the following illustrations.

**Step 1**

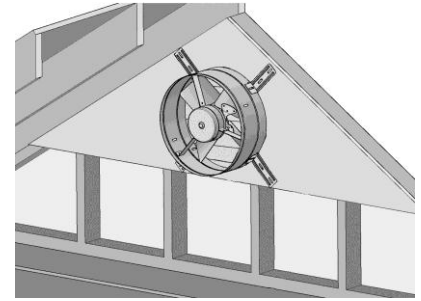


Frame

**Step 2**



**Step 3**



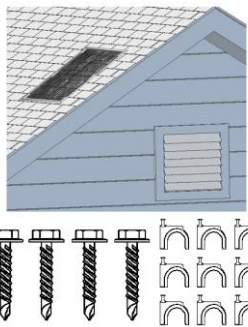
**SOLAR PANEL INSTALLATION**

**Step 1**

Mount the 4 brackets to the solar panel with the 8 screws provided.

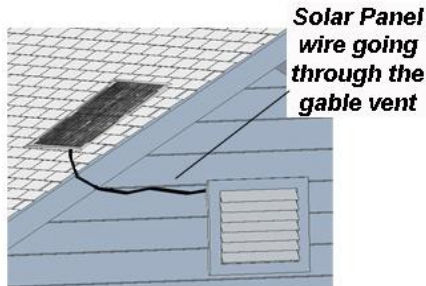
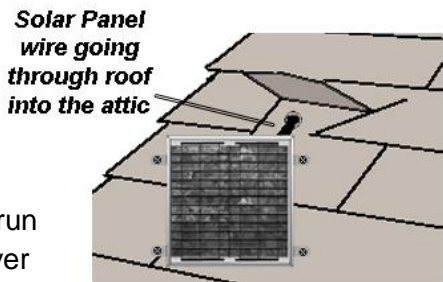
**Step 2**

When placing the solar panels on your roof, choose a southern or western exposure, away from trees and afternoon shadows. Mount the solar panel onto the roof with the 4 screws and lock washers provided.



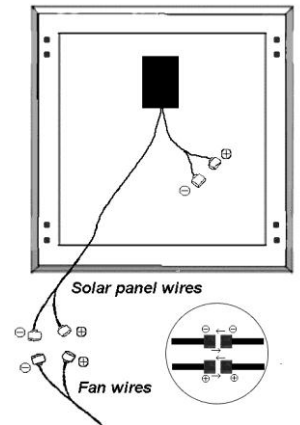
**Step 3**

The wiring must connect to the fan inside the attic. To run the wiring through the roof, drill a hole under a shingle in the immediate vicinity of the panel. Seal the hole and replace the shingle with caulking to avoid leaking. Alternatively, run the solar panel wire over the edge of the roof and through the gable vent to connect to the fan. Use the wire clips provided to secure the wire inside the attic, or to the roof and siding.

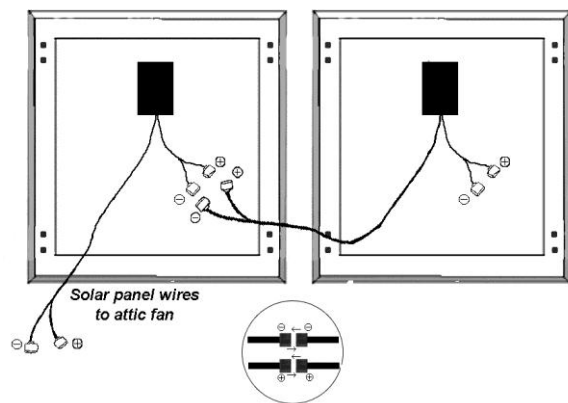


**Step 4**

Protect the solar panel from the sun, using a non translucent material such as the original package, so that it will not produce power and activate the fan. Connect the wires of the solar panel to those of the attic vent. Be sure to connect the positive wire from the solar panel to the positive wire from the fan, and the negative wire from the solar panel to the negative wire from the fan.



**TIP:** To increase the power of the fan, additional solar panels may be added, using the easy-connect clips.



**Recommendation:**

Hose the panel down periodically to ensure that the cells do not become obstructed by excessive dust or other debris, as this could affect the output.

**VENTAMATIC, LTD.**  
**LIMITED WARRANTY**

Ventamatic, Ltd. extends this warranty to the original occupying owner of the home where this product is installed that this product will be free from defects of material or workmanship for the time period listed by model number below:

VX2515SOLARGABL or CXSOLGB

DC Motor

Limited 5-Year

Solar Panel

Limited 10-Year

No subsequent purchaser of this product or of the home in which the product is installed is entitled to the benefits of the warranty.

Ventamatic, Ltd. will replace the defective part or component only and return the new part to you freight prepaid. Customer must bear all other expenses incurred, including labor required for field repair or replacement and cost of return shipping of the defective part or component to Ventamatic. Customer must also bear the cost of replacement of any part or component and the shipping charges incurred for the replacement and return of any part or component not covered by this warranty, including parts or components damaged by customer.

Ventamatic, Ltd. reserves the right to demand and receive written evidence of the date of purchase before undertaking to perform its obligations under this warranty. **YOU SHOULD, THEREFORE, RETAIN YOUR SALES SLIP AND ATTACH IT TO YOUR WARRANTY CLAIM.**

In order to obtain the replacement of part or component, you must select one of the following methods:

**A. Return to factory.**

Return postage prepaid the fan or part you believe to be defective to the address below:

Ventamatic, Ltd.  
100 Washington Street  
Mineral Wells, TX 76067

Include your name & address and a copy of your proof of purchase or installation.

**B. Return to place of purchase.**

There is no informal dispute settling mechanism available in the event of a controversy involving this warranty.

Any and all implied warranties shall be limited to the duration of the express warranty set forth above. In some states, limitations of the duration of implied warranty do not apply.

Ventamatic, Ltd. shall not be liable for incidental or consequential damages, whether direct or indirect based upon breach of warranty, breach of contract, negligence or tort. If any suit or other action is brought against Ventamatic by customer, Ventamatic and customer irrevocably waive the right to trial by jury.

Purchase and installation of this product constitutes acceptance of the terms of this warranty by customer.