



Count on it.

Parts Catalog

**22in Recycler[®] Lawn Mower with
SmartStow[®]**

Model No. 20340—Serial No. 316000001 and Up



Ordering Replacement Parts

To order replacement parts, please supply the part number, the quantity, and the description of each part desired.

Understanding Reference Numbers

Each identified part in an illustration has a reference number. The reference number for a part also appears in the parts list, along with other information about the part.

This catalog uses two special reference number formats, one to indicate parts in a service assembly and another to indicate the quantity of a given part in an illustration.

Service Assembly Reference Numbers

Parts in service assemblies have reference numbers in the form a:b. The a represents the reference number of the entire service assembly and the b represents a sequential number unique to each part within the service assembly.

For example, a wheel assembly might be identified by reference number 6, the tire by 6:1, the valve by 6:2, and the wheel by 6:3. When you order the assembly identified by reference number 6, you receive all parts identified by reference numbers 6:1, 6:2, and 6:3. However, you may also order any part individually. Reference numbers of this type appear in illustration and in parts lists.

Reference Numbers Indicating Quantity

In an illustration, if a reference number indicates more than one part, the reference number has the form nX y. The n represents the quantity of the part, the X is the multiplication symbol, and the y represents the reference number.

For example, in an illustration, the reference number 2X 37 means that two of the parts identified by reference number 37 are indicated.

List of Abbreviations

AR: as required

ASM: assembly

BBC: blade brake control

BHTF: button head thread forming

CARR: carriage

CCW: counter clockwise

CW: clockwise

DEG: degrees

DPA: Dual Point Adjustment

ECM: electronic control module

EXT: external

FH: flat head

GA: gauge

HD: heavy-duty

HF: hex flange

HH: hex head

HHF: hex head flange

HHFTF: hex head flange thread forming

HJ: hex jam

HLH: hex lag head

HOC: height-of-cut

HP: high pressure

HSBH: hex socket button head

HSFH: hex socket flat head

HSH: hex socket head

HWH: hex washer head

HWHTF: hex washer head thread forming

HYD: hydraulic

LH: left hand

LP: low pressure

LPG: Liquefied Petroleum Gas

NI: nylon insert

NPTF: national pipe thread fine

PFH: phillips flat head

PPH: phillips pan head

PPHTF: phillips pan head thread forming

PRH: phillips round head

PTH: phillips truss head

PTO: power-take-off

RH: right hand

ROPS: roll-over protection system

RRB: rear roller brush

SFH: slotted fillister head

SHH: slotted hex head

SHWH: slotted hex washer head

SPH: slotted pan head

SQH: square head

SRH: slotted round head

STD: standard

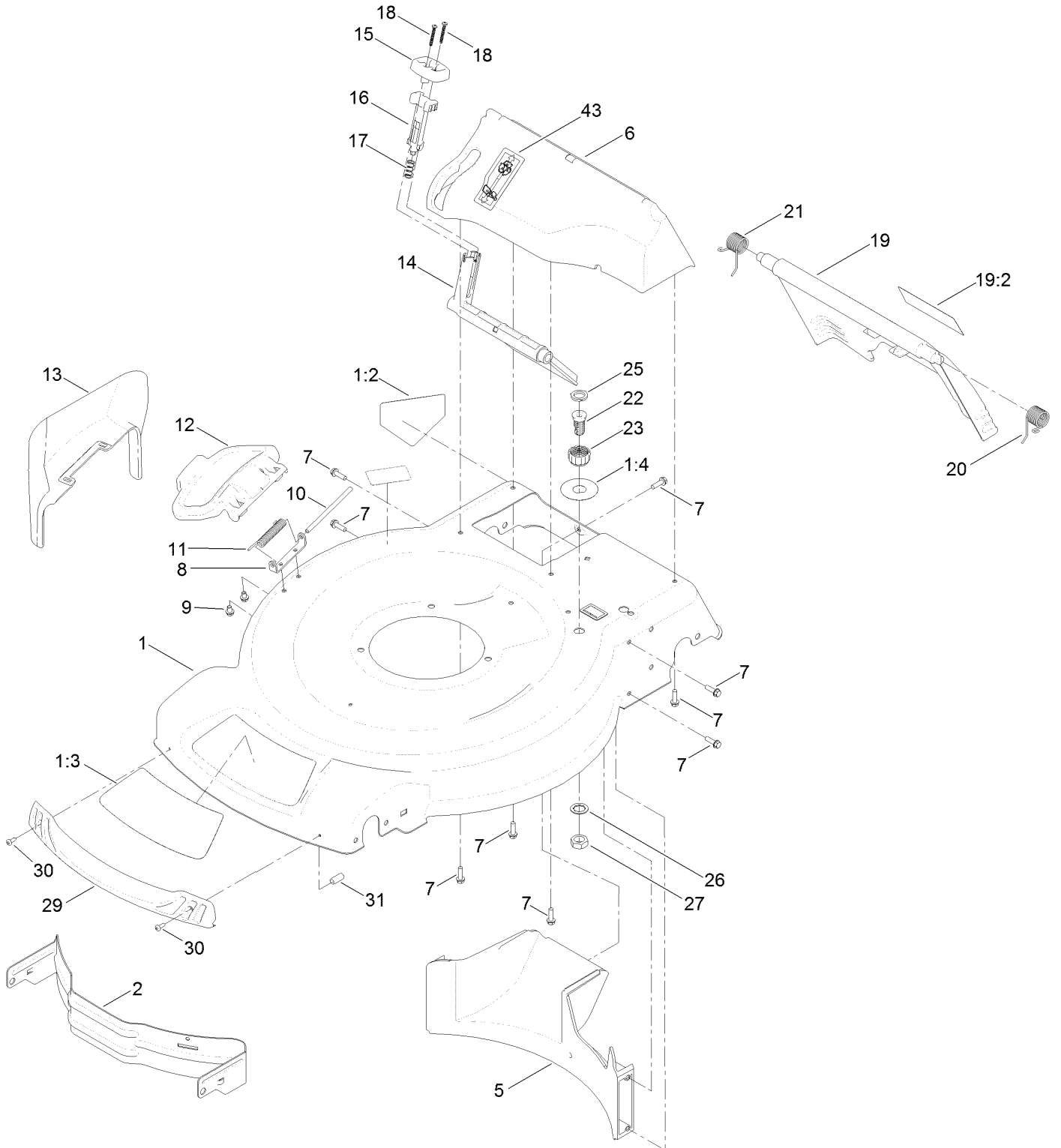
TAP: self tapping

TTH: torx truss head

Contents

Housing Assembly	4
Rear Bag Assembly	6
Engine and Blade Assembly	8
Front Wheel and Height-of-Cut Assembly	10
Rear Wheel and Height-of-Cut Assembly	12
Handle and Control Assembly	14
Attachments and Accessories	16

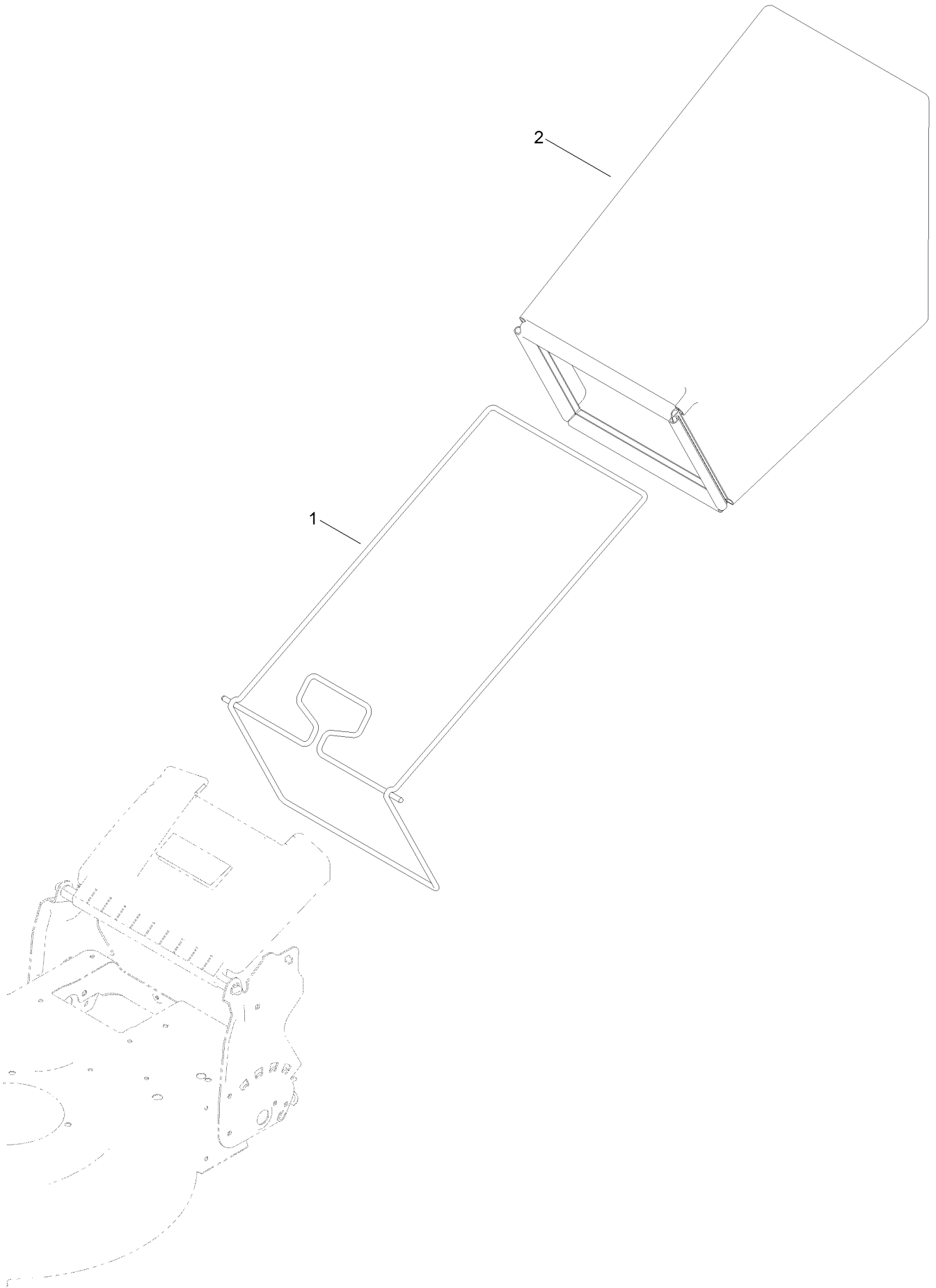
Housing Assembly



Housing Assembly (continued)

<i>Ref.</i>	<i>Part Number</i>	<i>Qty.</i>	<i>Description</i>	<i>Ref.</i>	<i>Part Number</i>	<i>Qty.</i>	<i>Description</i>
1	132-4510	1	Housing ASM	17	117-1031	1	Spring-Compression
1:2	94-8072	1	Decal-Danger	18	32104-120	2	Screw-PPH
1:3	132-4511	1	Decal-Deck	19	121-5776	1	Rear Door ASM
1:4	112-8867	1	Decal-Port, Washout	19:2	131-4514	1	Decal-Warning
2	114-7963-01	1	Baffle-Front	20	115-2859	1	Spring-Torsion
5	114-7961	1	Baffle-Rear	21	114-7924	1	Spring-Torsion
6	132-4501	1	Chute-Recycle	22	112-6400	1	Port-Washout
7	46-8091	9	Screw-HWH	23	112-6401	1	Coupling-Hose, Washout Port
8	112-6416	1	Bracket-Cover	25	112-6438	1	Washer-Seal, Washout Port
9	99-8445	2	Screw-HWH	26	3254-5	1	Washer-Tooth, Internal
10	99-5291	1	Rod-Cover	27	3218-6	1	Nut-Jam
11	99-5293	1	Spring-Torsion	29	114-7987	1	Bumper
12	115-8449	1	Deflector-Side	30	105-6849	2	Screw-Thread Forming
13	115-8447	1	Chute-Discharge, Side	31	130-6660	2	Cap-Plug
14	114-7960	1	Deflector-Recycle	43	125-5026	1	Decal-Bag On Demand
15	114-7958	1	Knob-Recycle				
16	114-7959	1	Latch-Recycle				

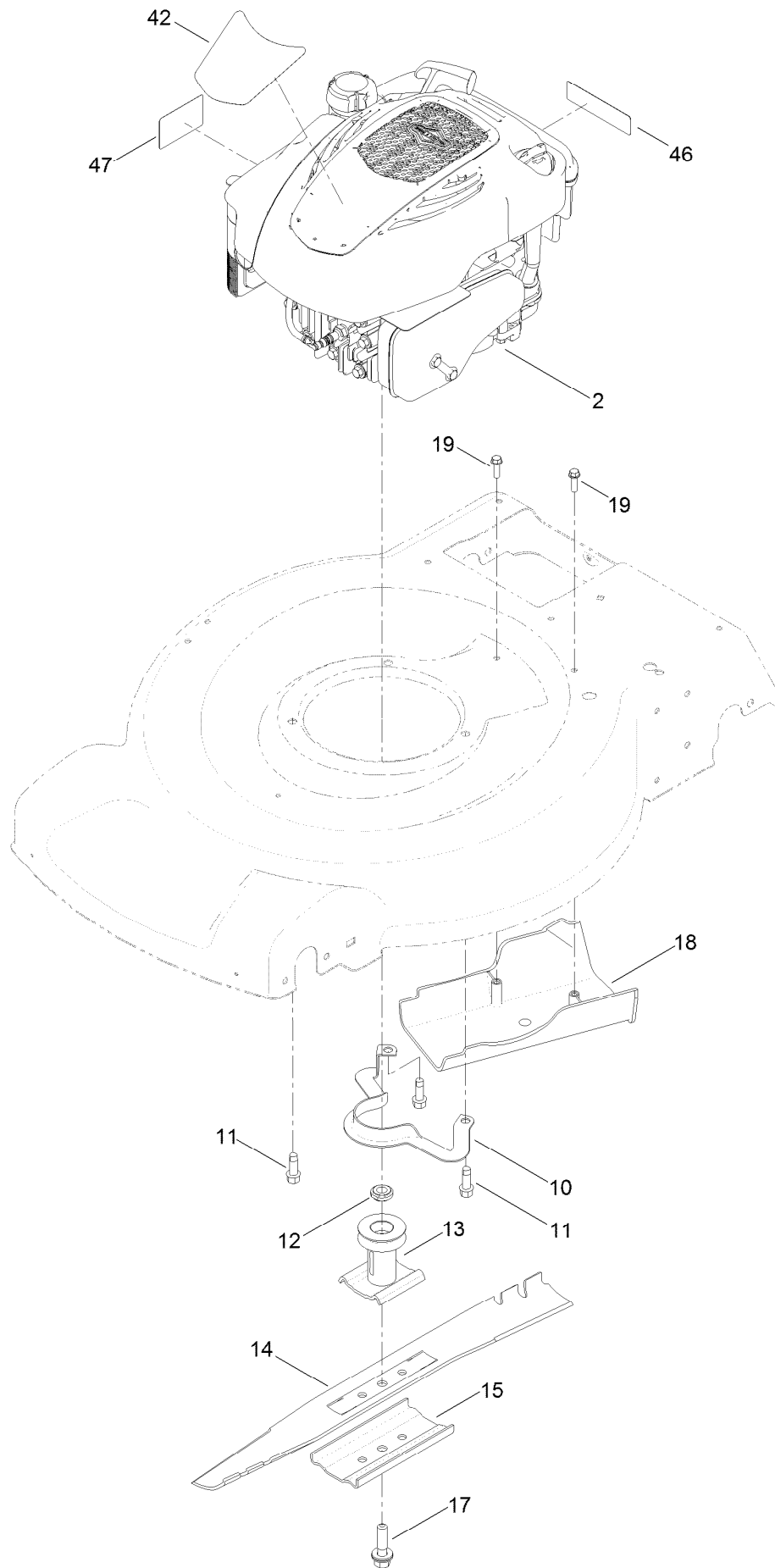
Rear Bag Assembly



Rear Bag Assembly (continued)

<i>Ref.</i>	<i>Part Number</i>	<i>Qty.</i>	<i>Description</i>
1	132-4503-03	1	Frame-Bag
2	115-4673	1	Grass Bag ASM

Engine and Blade Assembly



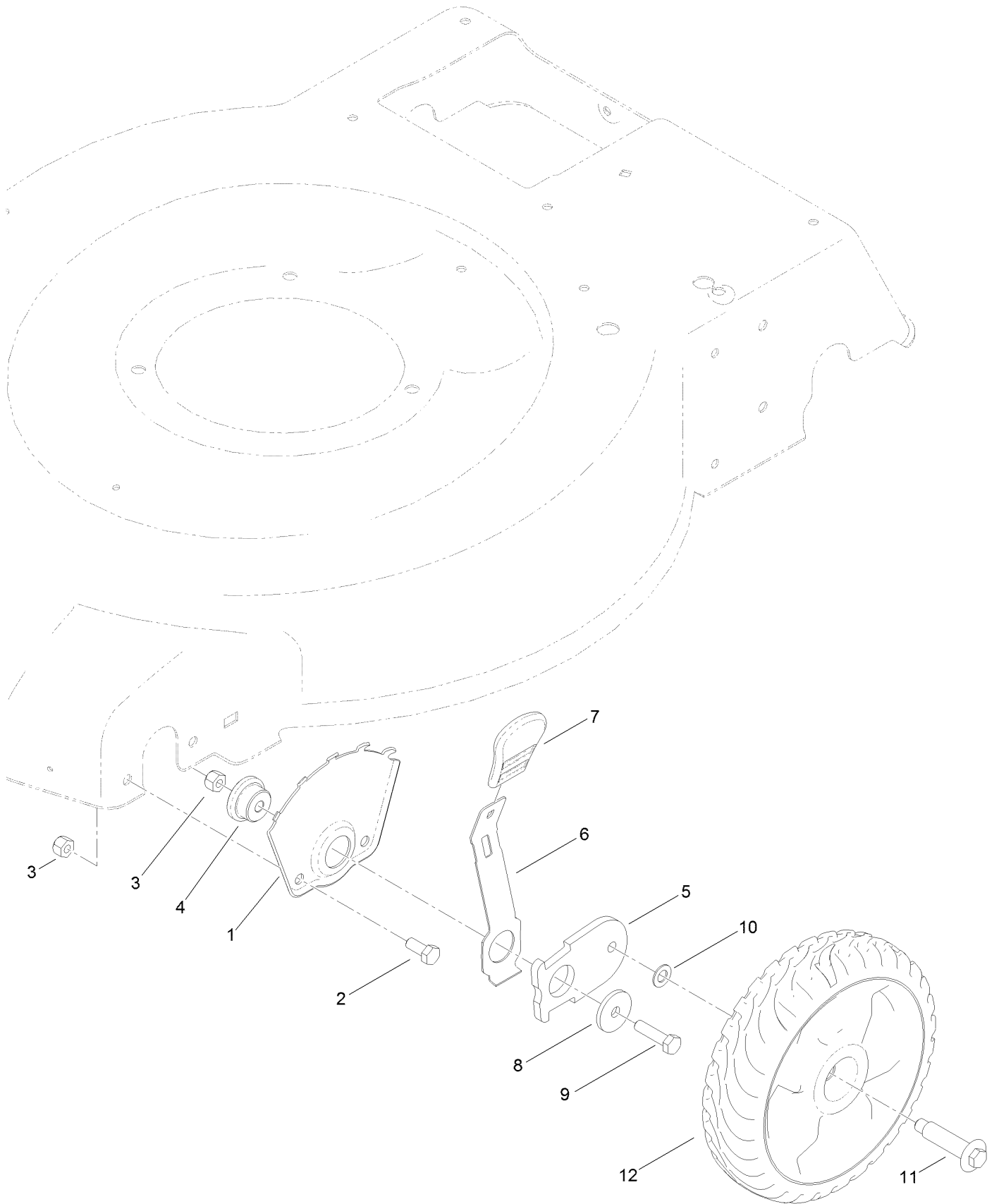
Engine and Blade Assembly (continued)

<i>Ref.</i>	<i>Part Number</i>	<i>Qty.</i>	<i>Description</i>	<i>Ref.</i>	<i>Part Number</i>	<i>Qty.</i>	<i>Description</i>
2		1	Engine-Briggs, 128M020017F1 ●■	15	108-3766-03	1	Support-Blade
				17	125-2466	1	Bolt-Blade
10	105-3030-03	1	Guide-Belt	18	114-7937	1	Cover-Belt
11	95-1726	3	Screw-Taptite	19	46-8091	2	Screw-HWH
12	106-3999	1	Spacer-Driver	42	130-2397	1	Decal-Shroud
13	106-3987	1	Driver-Blade	46	117-2718	1	Decal-Arrester, Spark
14	131-4547-03	1	Blade-22 Inch	47	130-6662	1	Decal-Fuel Level

● Not serviced separately

■ Obtain parts from www.briggsandstratton.com

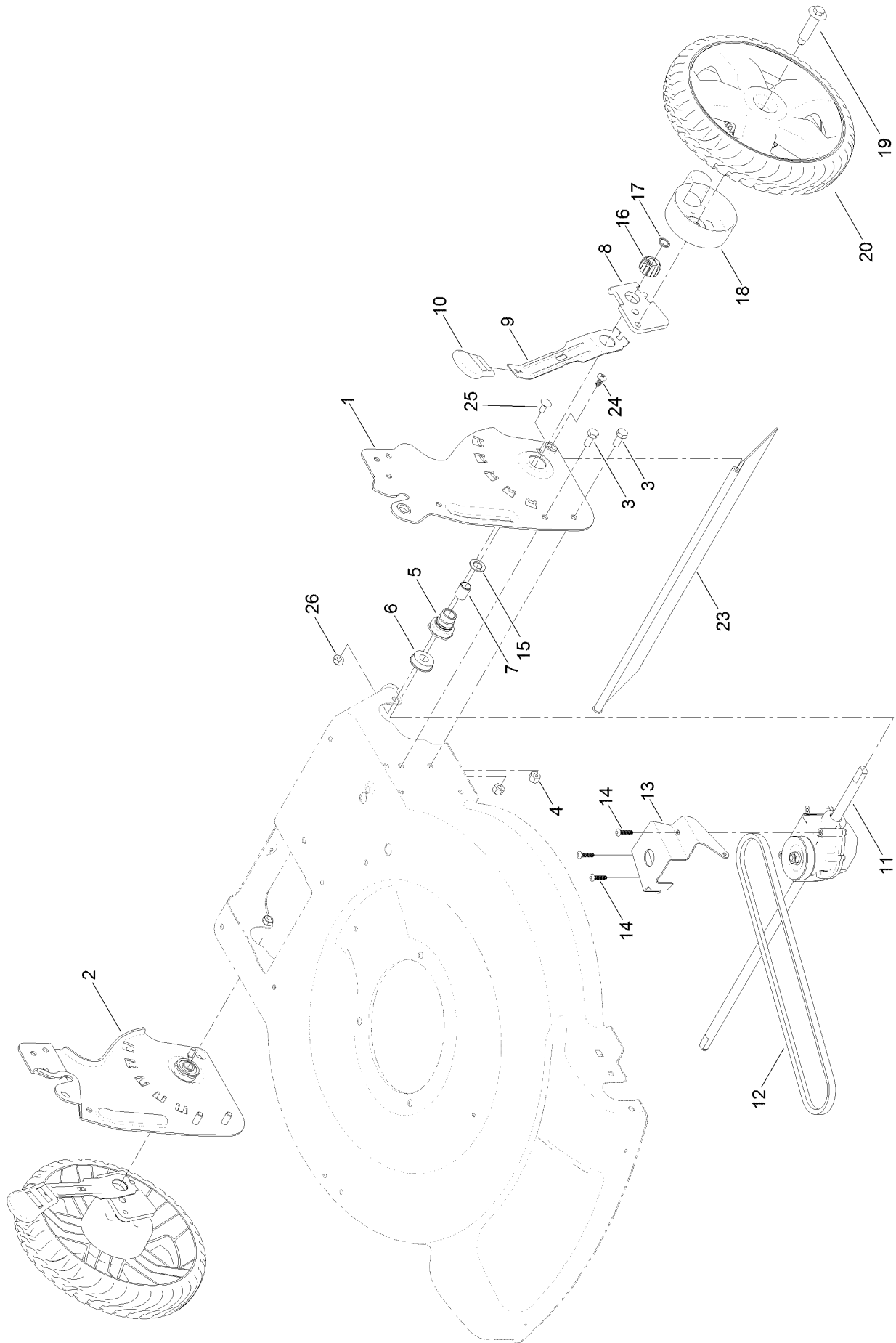
Front Wheel and Height-of-Cut Assembly



Front Wheel and Height-of-Cut Assembly (continued)

<i>Ref.</i>	<i>Part Number</i>	<i>Qty.</i>	<i>Description</i>	<i>Ref.</i>	<i>Part Number</i>	<i>Qty.</i>	<i>Description</i>
1	115-1956-03	2	Plate-HOC, Front	7	110-0549	2	Knob-HOC
2	322-3	4	Screw-HH	8	105-3048	2	Washer-Flat
3	3296-29	6	Nut-Lock, NI	9	322-6	2	Screw-HH
4	105-1818	2	Bushing-Mount, HOC	10	40-1940	2	Washer
5	105-1807	2	Arm-Pivot, Front	11	614650	2	Bolt-Shoulder
6	105-1809	2	Arm-Spring	12	115-2894	2	8 Inch Wheel ASM

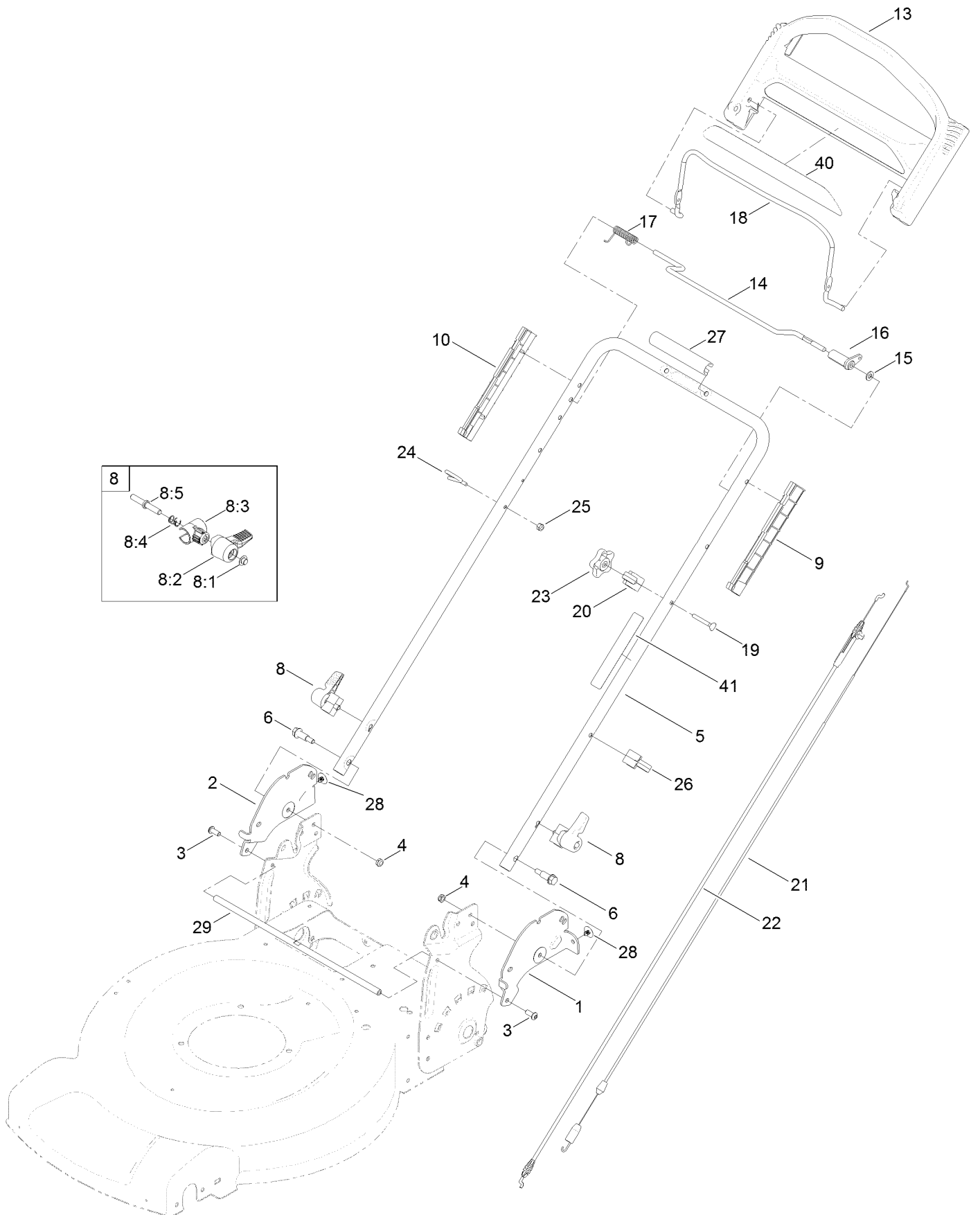
Rear Wheel and Height-of-Cut Assembly



Rear Wheel and Height-of-Cut Assembly (continued)

<i>Ref.</i>	<i>Part Number</i>	<i>Qty.</i>	<i>Description</i>	<i>Ref.</i>	<i>Part Number</i>	<i>Qty.</i>	<i>Description</i>
1	132-4451-03	1	Plate-HOC, LH	14	108-7476	3	Screw-Plastite
2	132-4452-03	1	Plate-HOC, RH	15	110-7191	2	Washer-Thrust
3	322-3	4	Screw-HH	16	110-9417	2	Gear-Pinion, 15T
4	3296-29	4	Nut-Lock, NI	17	32151-61	2	Ring-Retaining
5	108-9779	2	Retainer-Bushing, HOC	18	132-4480	2	Cover-Gear
6	104-8699	2	Bearing-Ball	19	614650	2	Bolt-Shoulder
7	108-9782	2	Bushing-Sleeve	20	132-4458	2	11 Inch Wheel And Gear ASM
8	132-4459	2	Arm-Pivot, Rear	23	120-7012	1	Shield-Trailing
9	132-4486	2	Arm-Spring	24	117-1092	2	Screw-PTH
10	110-0549	2	Knob-HOC	25	3229-11	2	Screw-CARR
11	131-9696	1	Transmission	26	3296-16	2	Nut-Lock, NI
12	91-2258	1	Belt-V				
13	132-4481-01	1	Bracket-Transmission				

Handle and Control Assembly



Handle and Control Assembly (continued)

<i>Ref.</i>	<i>Part Number</i>	<i>Qty.</i>	<i>Description</i>	<i>Ref.</i>	<i>Part Number</i>	<i>Qty.</i>	<i>Description</i>
1	132-4453-03	1	Plate-Handle, LH	16	99-1589	1	Lever-Traction
2	132-4454-03	1	Plate-Handle, RH	17	121-9118	1	Spring-Torsion
3	3274-55	2	Screw-HSBH	18	131-0880-03	1	Bail-Brake
4	133-1980	2	Nut-Lock, NI	19	95-4453	1	Screw
5	132-4471-05	1	Handle	20	99-5239	1	Anchor-Cable
6	130-2344	2	Bolt-Shoulder	21	115-8435	1	Cable-Traction
8	115-2860	2	Quick Release ASM	22	115-8437	1	Cable-Brake
8:1	109-0917	1	Nut-Push	23	131-0897	1	Knob-Handle, Locking
8:2	114-7995	1	Lever	24	86-9671	1	Guide-Rope
8:3	114-7996	1	Anchor-Spring	25	3296-73	1	Nut-Lock, NI
8:4	115-2858	1	Spring-Compression	26	114-7988	1	Guide-Cable
8:5	114-2675	1	Rod-Release	27	131-4551	1	Handle-Cover
9	105-6842	1	Guide-LH	28	130-6721	2	Clip-Tree
10	105-6841	1	Guide-RH	29	133-1980-03	1	Rod-Stiffener
13	104-8678	1	Handle-Control	40	132-4513	1	Decal
14	99-1588	1	Bar-Control, Traction	41	132-4470	1	Decal-Traction, Adjust
15	3256-23	1	Washer-Flat				

Attachments and Accessories

For 20340 22in Recycler Lawn Mower with SmartStow

Product Name	Model/Part
Fuel Stabilizer .05 oz	130-2393
Traction Assist Handle Kit.....	131-4590
Lawn Striping Kit with 22in Roller.....	20601
Lawnmower Cover.....	490-7462
22 Inch Atomic Blade.....	59534P

Notes:

Notes:

Notes:



Count on it.