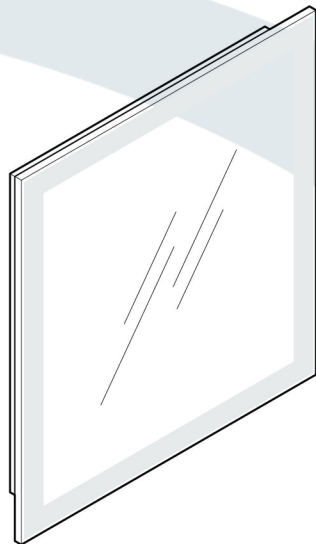


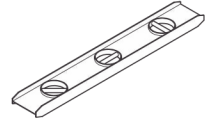
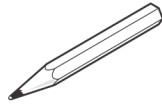
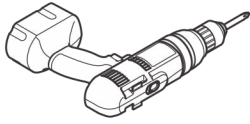
AQUADOM  

---

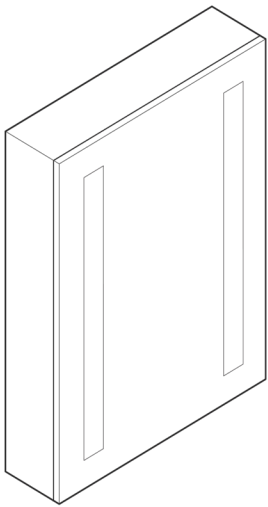
CABINET & MIRROR  
INSTALLATION GUIDE



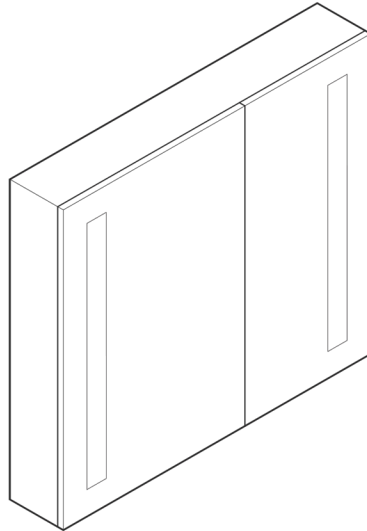
## ASSEMBLY TOOLS



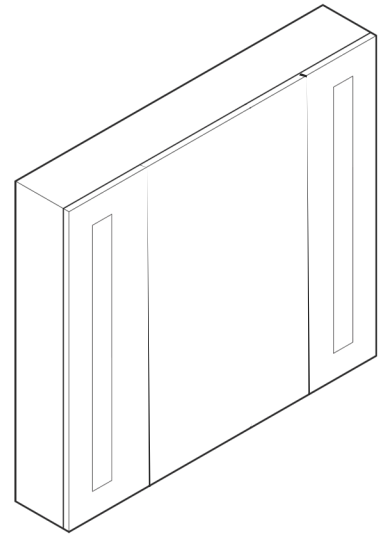
## PARTS



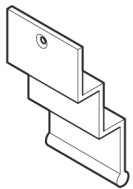
Single Door



Double Door



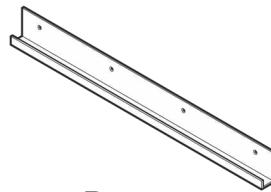
Triple Door



Top  
Mounting  
Bracket



Shelf Clip



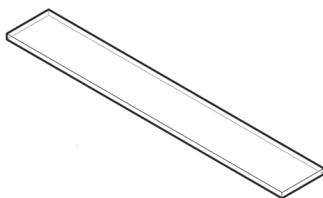
Bottom  
Mounting  
Bracket



Screw Cap



Hole Plug



Glass Shelf



Glass Side Panel

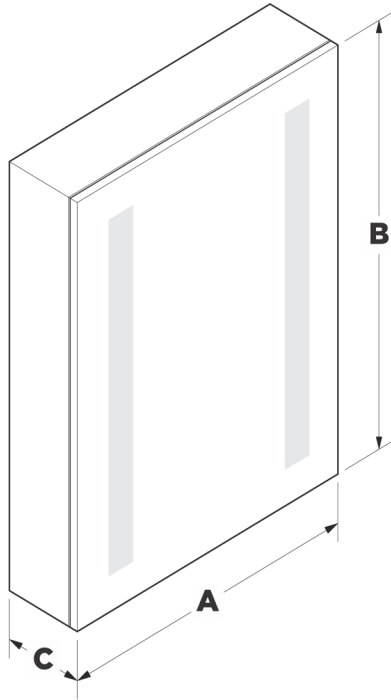


Hinge Screw



Wire Nut

## DIMENSIONS



- A** - Cabinet's width
- B** - Cabinet's Height
- C** - Cabinet's Depth

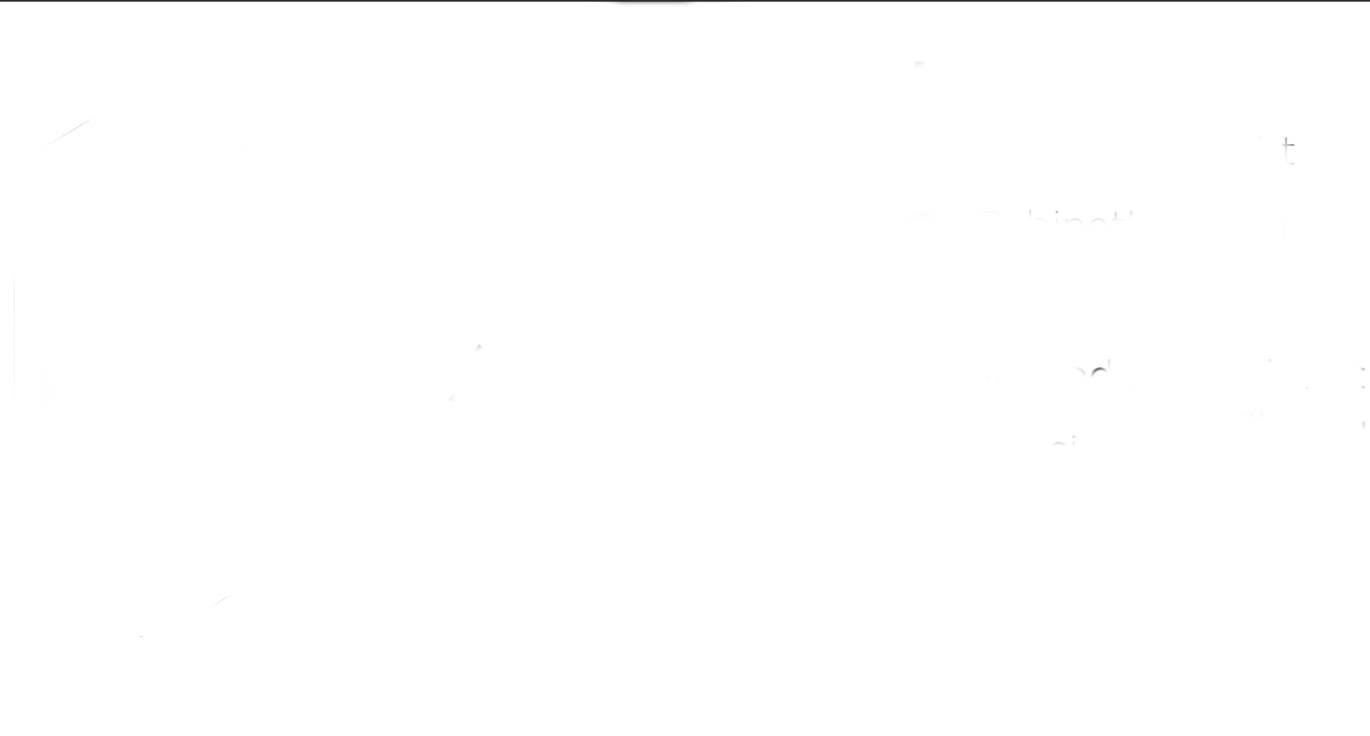


**NOTE:** Determine overall medicine cabinet dimensions. If recessing medicine cabinet, determine rough-in dimensions.

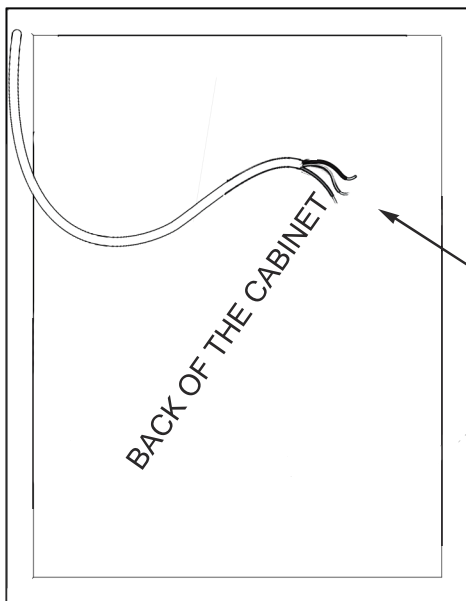
## SIGNATURE ROYALE

SIZE inches	ROUGH IN DIMENSIONS inches
24 x 30	23.5 x 29.5
24 x 40	23.5 x 39.5
30 x 30	29.5 x 29.5
30 x 40	29.5 x 39.5
36 x 30	35.5 x 29.5
36 x 40	35.5 x 39.5
48 x 30	47.5 x 29.5
48 x 40	47.5 x 39.5
40 x 30	39.5 x 29.5
60 x 30	59.5 x 29.5

## WIRING



\* AQUADOM Medicine Cabinet as seen from the back\*



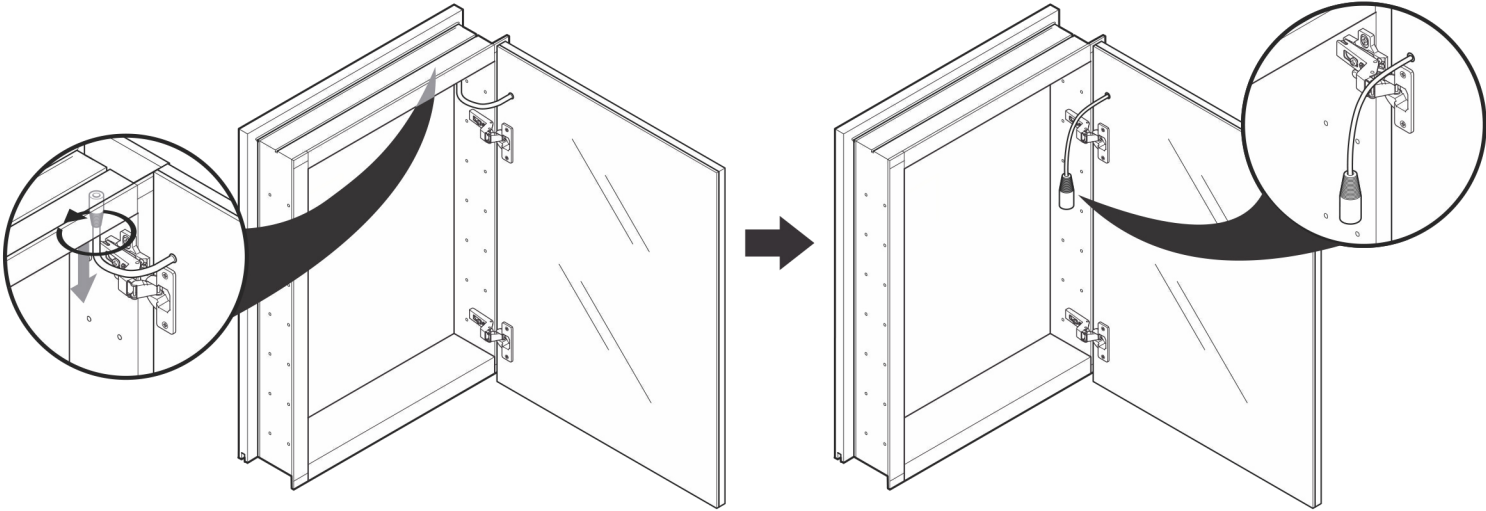
\*The wire is located at the top right corner of the cabinet if viewed from the front\*

**Electric wiring:** Be sure to provide enough wire to make the proper and safe connection to the Field/Power.

# PRE-INSTALLATION

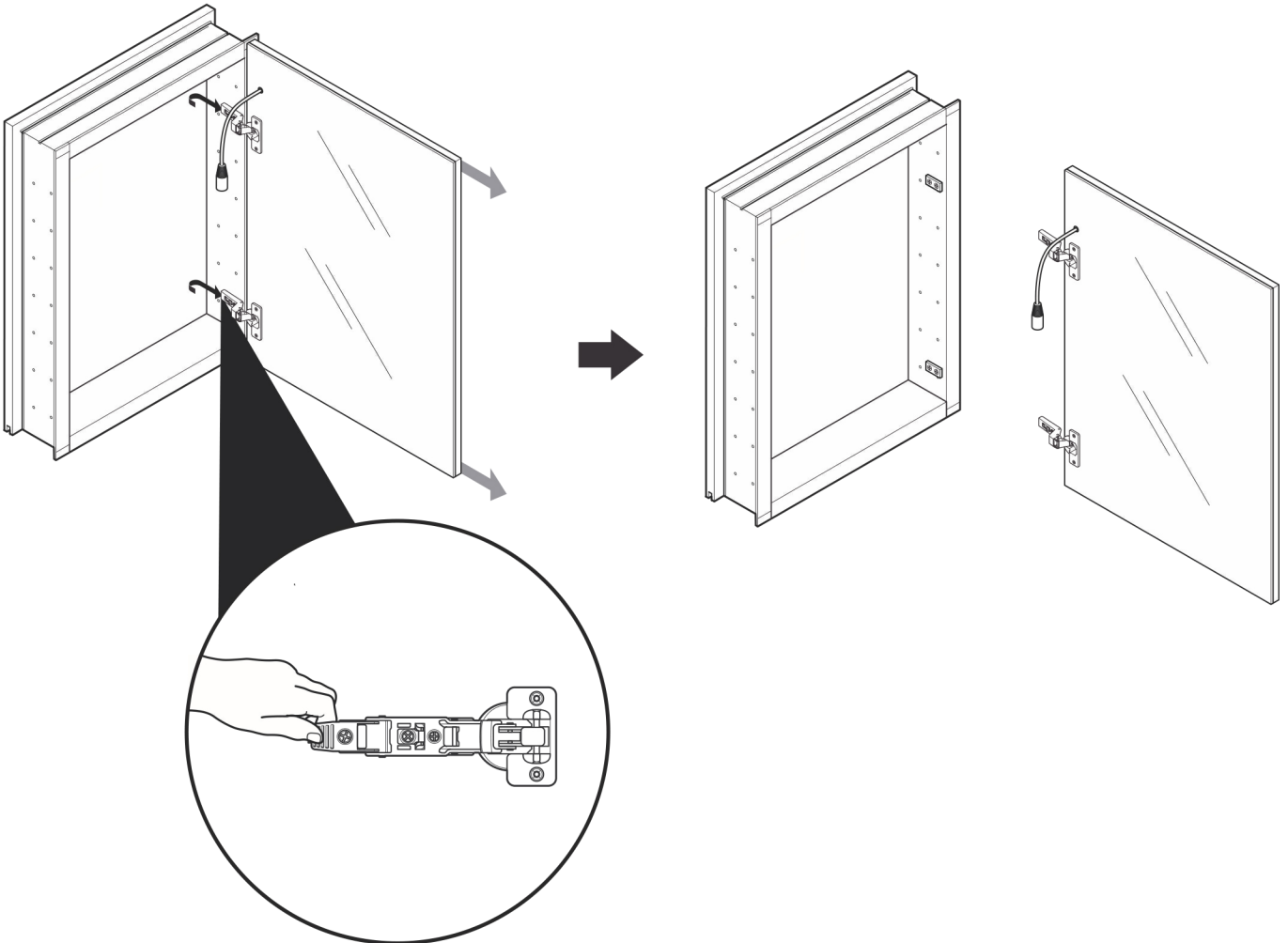
**1**

Remove Door/s Prior mounting your cabinet. Start with unplugging the door from the cabinet.



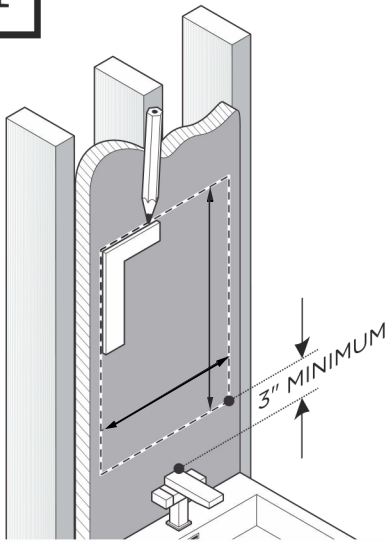
**2**

While supporting the door release the lever under the hinge arm  
Slide the door off the frame.



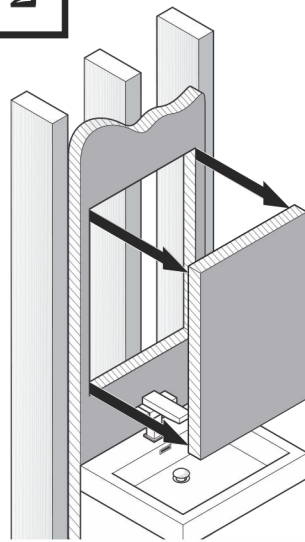
# RECESS-MOUNT INSTALLATION

**1**



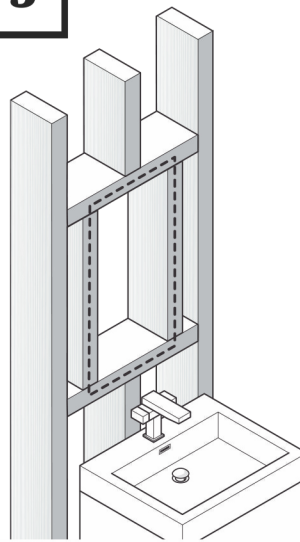
Draw the perimeter of the medicine cabinet on the wall.

**2**



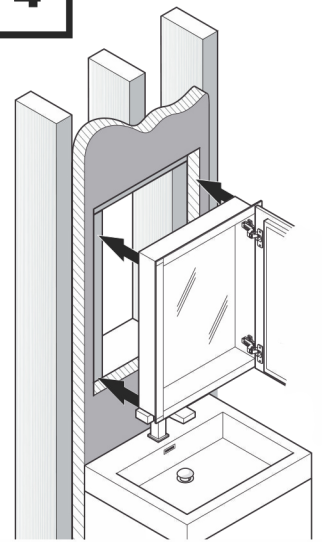
Cut the marked perimeter with appropriate tool.

**3**



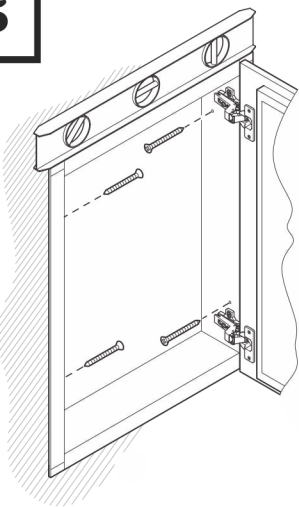
Frame the cutout opening.  
(See Illustration below)

**4**



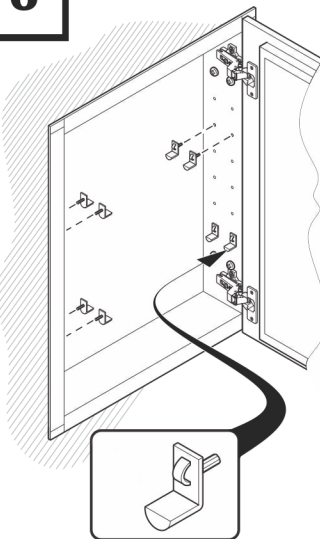
Place and hold the medicine cabinet in the cutout opening.

**5**



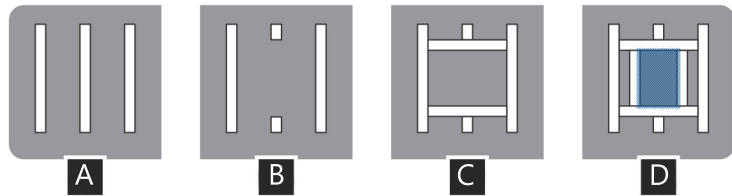
Level, then secure the medicine cabinet with the screws through the mounting holes into the framing studs.

**6**

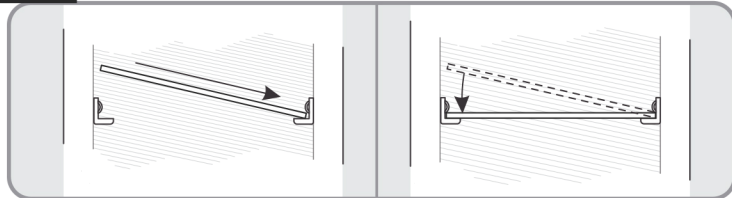


Choose the position for your shelves, then push and twist the snap-in pins into place.

## 4 STEPS TO FRAME THE CUTOUT OPENING



## 7 GLASS SHELF INSTALLATION

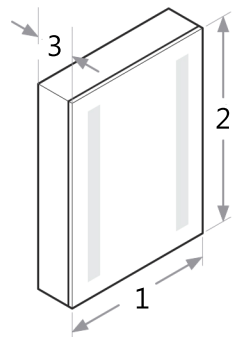
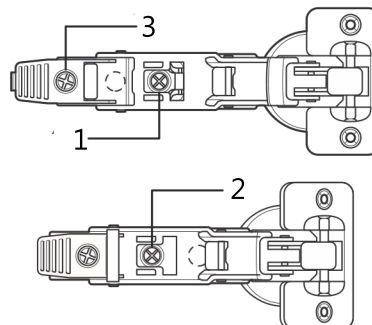


Push a side of the glass shelf into the left or the right pins.

Snap the glass shelf into the opposite side.

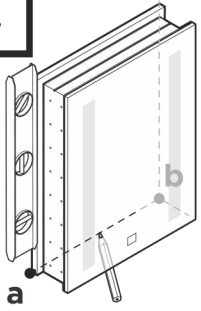
## OPTIONAL DOOR ADJUSTMENT

Doors may need to be adjusted after the initial shipping of the cabinet. The cabinet doors have a three-way adjustment feature. Height, side-to-side, level and depth can be adjusted. With the hinge slightly closed you can access the middle screw for up/down adjustment. With the hinge fully extended you can access the front and back screws. These screws will move the door side to side and in and out.



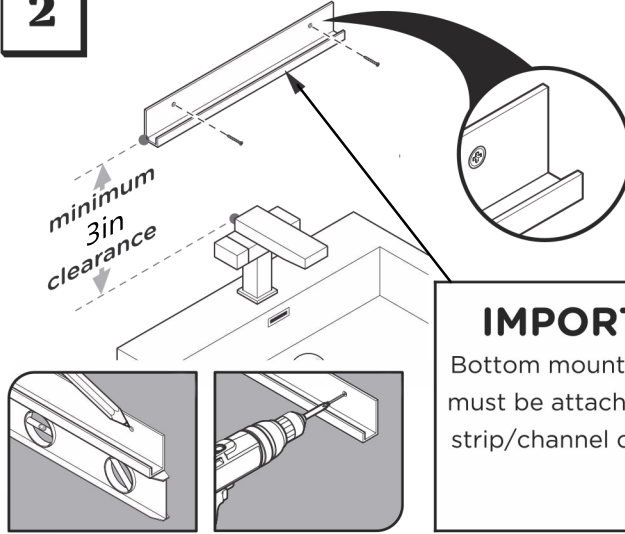
# SURFACE MOUNT

1



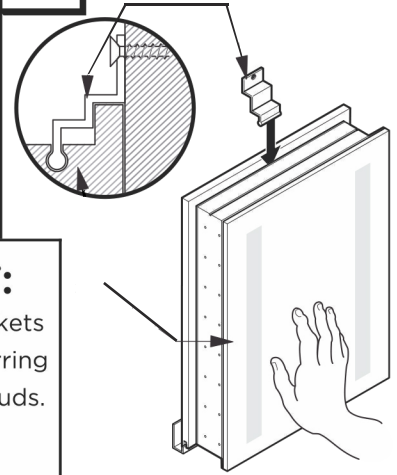
Level and mark the medicine cabinet's location on the wall from point **a** to point **b**.

2



Level and mark. Attach bottom bracket to the wall.

3

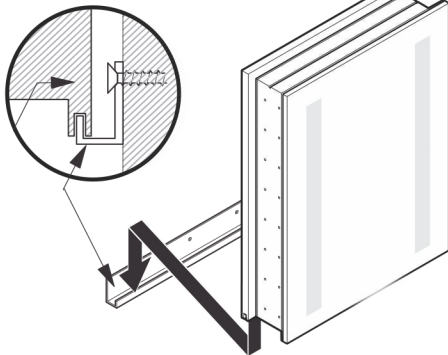


Insert top mounting bracket into the top of the cabinet

**IMPORTANT:**

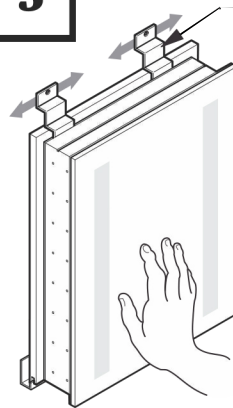
Bottom mounting brackets must be attached to furring strip/channel or wall studs.

4



With assistance, rest the medicine cabinet on the bottom mounting bracket and hold it in place.

5

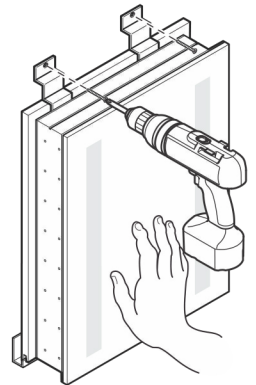


You can slide top mounting brackets to the left or right to achieve a desired position.

**IMPORTANT:**

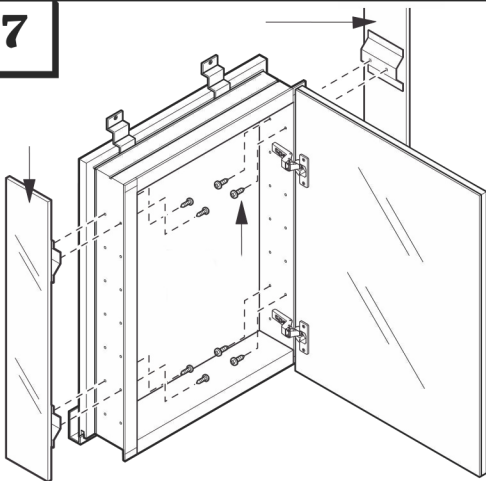
Top mounting brackets must be attached to furring strip/channel or wall studs.

6



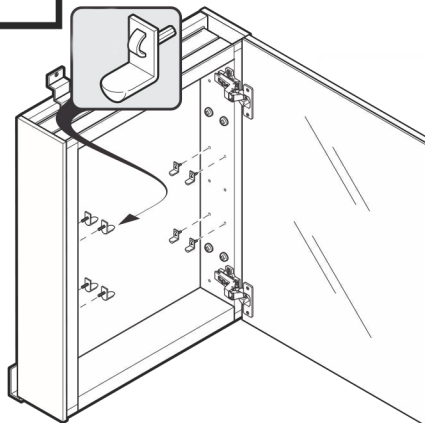
Attach the top mounting brackets to the wall using a drill.

7



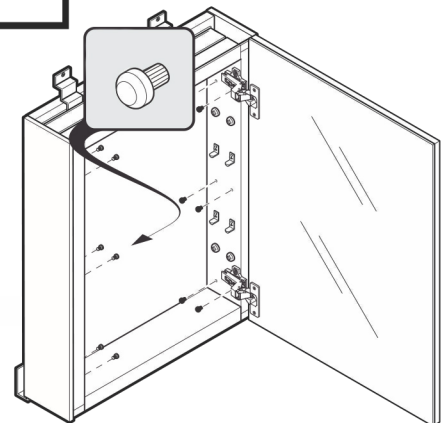
Attach mirrored side panels to the medicine cabinet using a screwdriver and provided screws

8



Insert clear snap in shelf clips into holes on the sides of the cabinet.

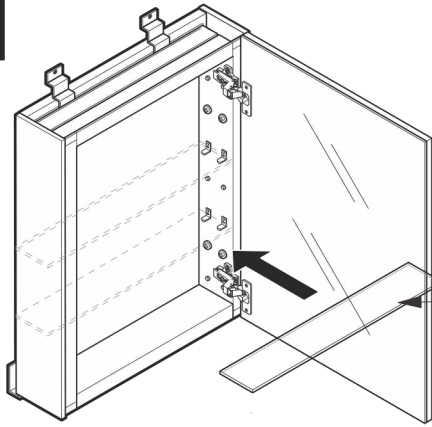
9



Insert clear plugs into the remaining/unused holes of the cabinet.

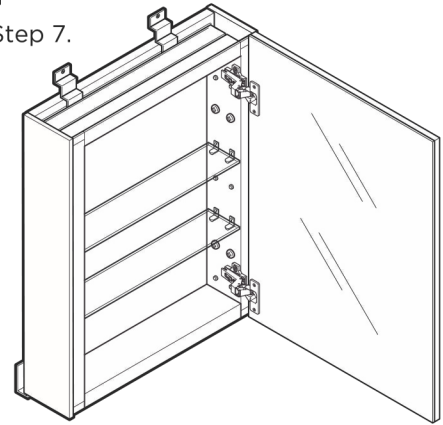
# SURFACE MOUNT

10



**NOTE:** For more details on the shelf installation please refer to Page 5, Step 7.

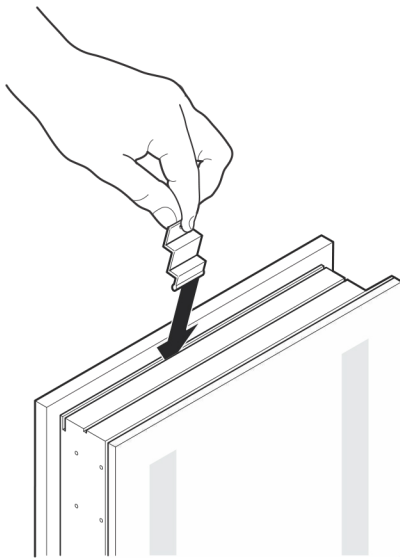
**C**



Connect the glass shelves (**C**) to the cabinet by pushing the side of the shelf in the left or right clip and snapping the shelf down.

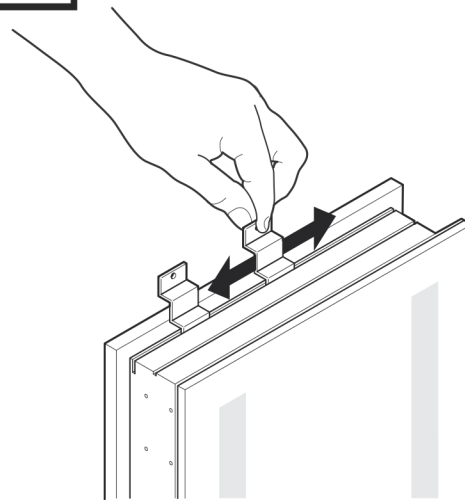
## MOUNT BRACKET

1



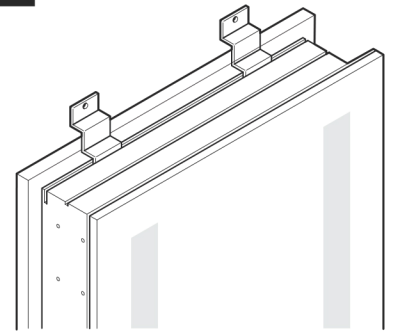
Slide top brackets into channel at the top of the cabinet.

2



Make sure top brackets are locked in the grooves.

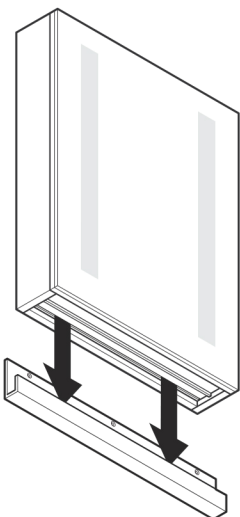
3



### IMPORTANT:

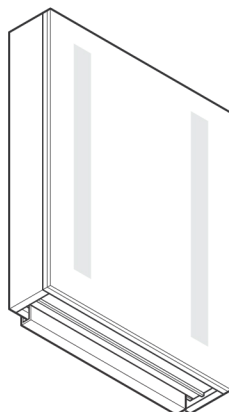
Top mounting brackets must be attached to furring strip/channel or wall studs.

4



### IMPORTANT:

Make sure cabinet is leveled and fully inserted into the groove of the bottom bracket.



5

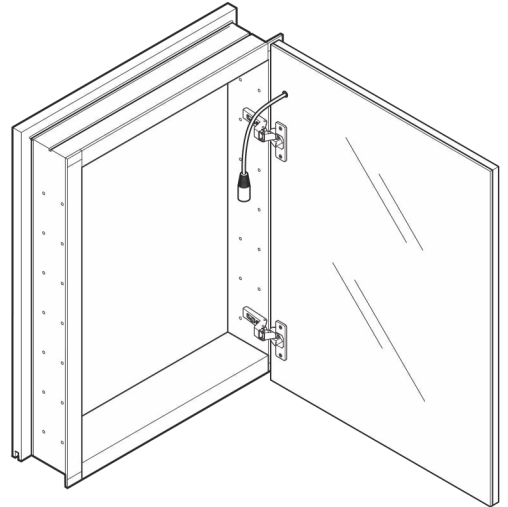
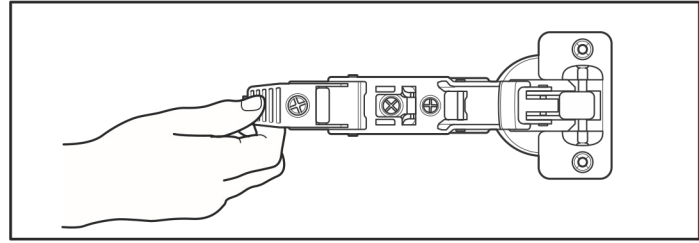
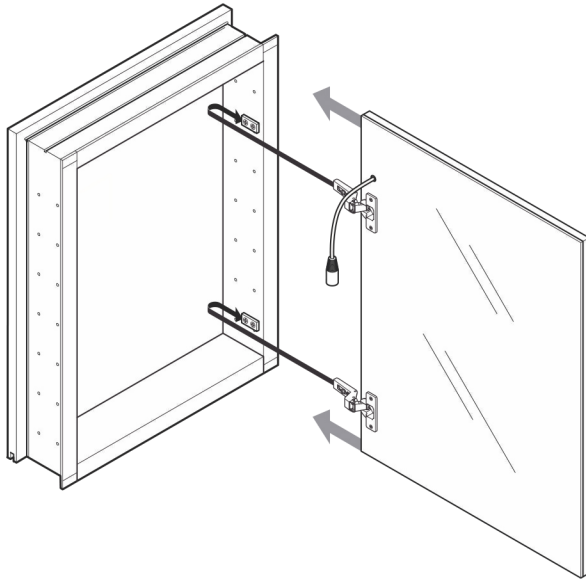
Test the fit of the cabinet before Final assembly.

**ELECTRIC WIRING:** Be sure to provide enough wire to make the proper and safe connection to the Field/Power (see Page 5 for electrical connection instructions).

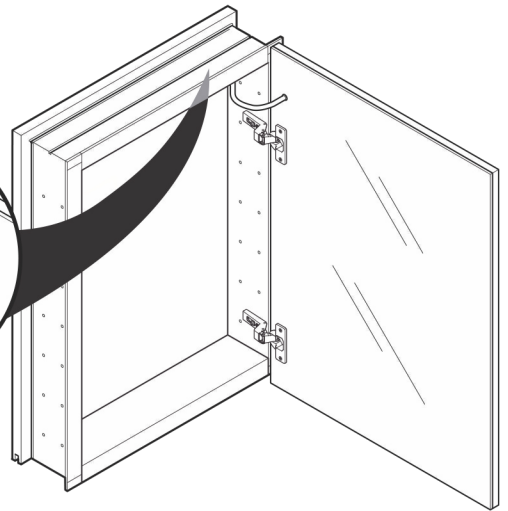
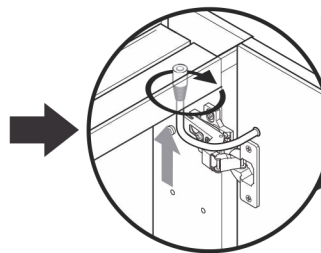
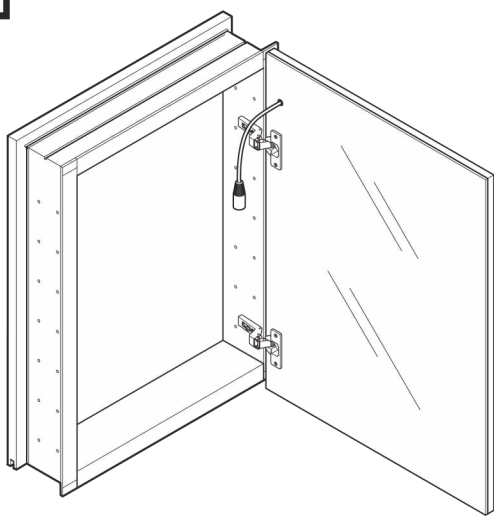


# LAST STEPS

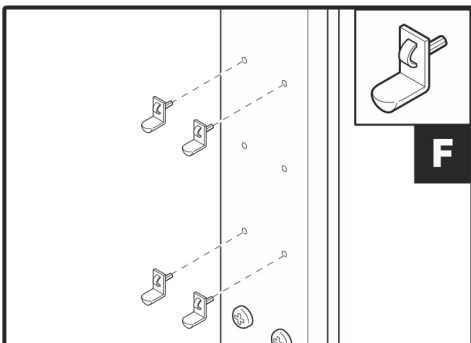
**1** Slide the doors into place by pinching the end of the hinge.



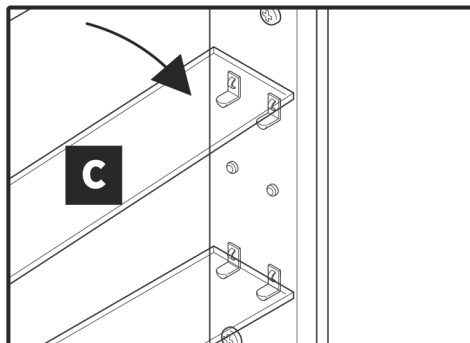
**2** Plug the door into the cabinet.



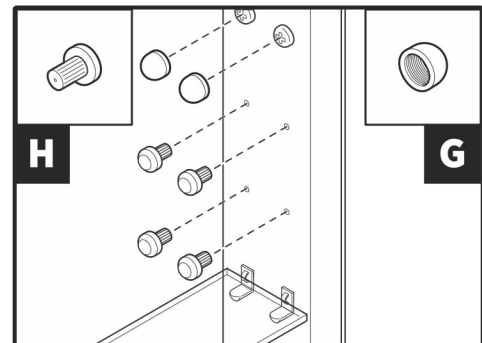
**3** **3a.** Insert clear snap in shelf clips (F) into holes on the sides of the cabinet (A).



**3b.** Push the side of the shelf (C) in the left or right clip and snap the shelf (C) down.



**3c.** Insert clear plugs (H) into the remaining or unused holes, then cover screw heads with the screw cups (G).



## **3D Lighting and Dimmer Switch**

Touch the Light button in order to turn the lighting mechanism on.

Touch the light button again in order to chose the desired light.(cool,warm,mixed)

Touch and Hold the button in order to dim the currently selected light.

## **How to Customize the Digital Clock**

Facing the mirror place your finger on the on/off button.

Press and hold the button to engage the clock's program mode:

In program mode, the clock will go through 4 number fields with a 3 second break inbetween.

To set the time, press the button again while the number is flashing.