

ASSEMBLY INSTRUCTIONS LUX-1521F

LUXEO

Signature

For Assistance Call 1-855-68-LUXEO*855-685-8936

- A. Seat (1 unit)
- B. Backrest (1 unit)
- C. front legs (2 units)
- D. Front leg brace (1 unit)
- E. Arm (2 units)
- F. Carriage bolts 2.6" (4 units)
- G. Carriage bolts 2" (2 units)
- H. Bolts 1.5" (4 units)
- I. Bolts 2.5" (2 units)
- J. Allen wrench (1 unit)
- K. Wrench (1 unit)

WARNING:

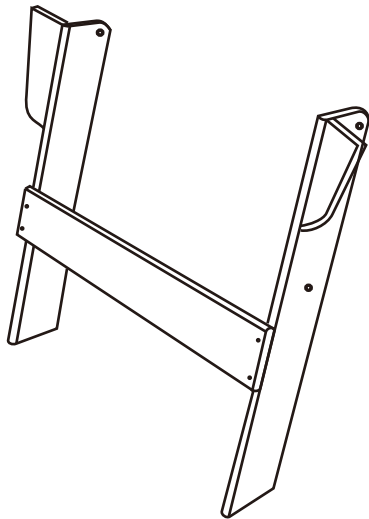
DO NOT SIT ON THE ARMRESTS!

2 Adults Recommended for Assembly

Step-1:

Position front leg brace (D) to right and left front leg (C) corresponding 4 holes, insert (H) 1.5" bolts, manually tighten.

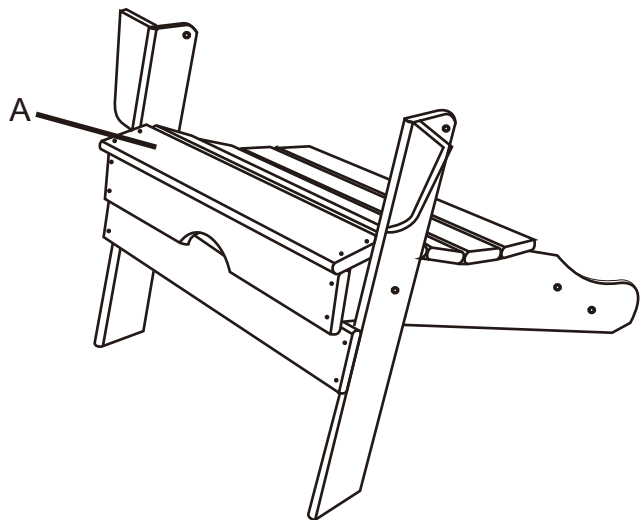
Important note: Do not fully tighten.



Step-2:

Position front legs part to seat (A) corresponding 2 holes, Insert (F) 2.6" carriage bolts, one flat washer and one lock nut, manually tighten.

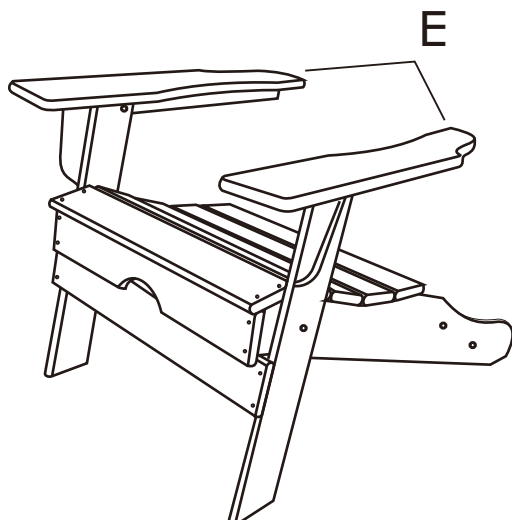
Important note: Do not fully tighten.



Step-3:

Position arms (E) to front legs corresponding 2 holes, insert (F) 2.6" carriage bolt, one flat washer and one lock nut, manually tighten.

Important note: Do not fully tighten.



Step-4:

Position glider piece on the backrest (B) to seat (A) corresponding 2 holes, insert (G) 2" carriage bolt, one flat washer and one lock nut, manually tighten. Position backrest (B) to arm (D) corresponding 2 holes, insert (I) 2.5" bolts and manually tighten.

Important note: Do not fully tighten.

